



# Composite Decking

from Deeplas  
Installation Guide



# Contents

## 1 General information – 4

1.1 What is Twinson? – 5

1.2 Material properties – 5

1.2.1 Colours – 5

1.2.2 Water stains – 5

1.3 Mechanical properties – 5

1.4 Warranty – 8

## 2 Preparation / processing – 9

2.1 Storage & transport – 10

2.2 Tools – 10

2.3 Recommended safety equipment – 10

2.4 Maximum load – 10

2.5 Installation instructions – 11

2.6 Initial cleaning – 11



This symbol appears on pages which are new or differ from the previous manual version.  
Please consult the up to date installation manual on our website [www.deeplas.co.uk](http://www.deeplas.co.uk)

08/2016 - V5 - published work © 2016 - Deeplas

Deeplas composed this manual with the utmost care. Nevertheless, data contained in this manual might be outdated, incomplete, and/or inaccurate. No rights, claims, commitments or guarantees can be derived from the presented information. The texts, photographs, logos, pictures and brands (among which Deeplas, Linktrusion and Twinson included) are covered by intellectual property rights. They are exclusive property of Deeplas. Nothing included in this publication can, fully or partially, in any way be reproduced without prior permission.

The available profiles and accessories may vary depending on your location. To find out which profiles and accessories are available in your area, see [www.deeplas.co.uk](http://www.deeplas.co.uk) or contact a local dealer.

### 3 *Quick guides* – 12

- 3.1 Summary of Installation Sheet – 13
- 3.2 Quick guide P 9555 - P 9522 – 14
- 3.3 Quick guide P 9555 - P 9524 – 19
- 3.4 Quick guide P 9555 - P 9523 – 24
- 3.5 Quick guide P 9555 - P 9552 – 29
- 3.6 Quick guide P 9555 - wood – 34
- 3.7 Quick guide Adjustable pedestal – 39
- 3.8 Access & step detail – 40

### 4 *Maintenance* – 41

- 4.1 Cleaning and care – 42

### 5 *Replacement* – 45

- 5.1 P 9486 – 46
- 5.2 P 9483 or P 9484 – 47



This symbol appears on pages which are new or differ from the previous manual version.  
Please consult the up to date installation manual on our website [www.deeplas.co.uk](http://www.deeplas.co.uk)

08/2016 - V5 - published work© 2016 - Deeplas

Deeplas composed this manual with the utmost care. Nevertheless, data contained in this manual might be outdated, incomplete, and/or inaccurate. No rights, claims, commitments or guarantees can be derived from the presented information. The texts, photographs, logos, pictures and brands (among which Deeplas, Linktrusion and Twinson included) are covered by intellectual property rights. They are exclusive property of Deeplas. Nothing included in this publication can, fully or partially, in any way be reproduced without prior permission.

The available profiles and accessories may vary depending on your location. To find out which profiles and accessories are available in your area, see [www.deeplas.co.uk](http://www.deeplas.co.uk) or contact a local dealer.

# Decking

## 1 General information



1. What is Twinson?
2. Material properties
3. Mechanical properties
4. Warranty



*Before installation, please read carefully the installation instructions!*



This symbol appears on pages which are new or differ from the previous manual version.  
Please consult the up to date installation manual on our website [www.deeplas.co.uk](http://www.deeplas.co.uk)

08/2016 - V5 - published work© 2016 - Deeplas

Deeplas composed this manual with the utmost care. Nevertheless, data contained in this manual might be outdated, incomplete, and/or inaccurate. No rights, claims, commitments or guarantees can be derived from the presented information. The texts, photographs, logos, pictures and brands (among which Deeplas, Linktrusion and Twinson included) are covered by intellectual property rights. They are exclusive property of Deeplas. Nothing included in this publication can, fully or partially, in any way be reproduced without prior permission.

The available profiles and accessories may vary depending on your location. To find out which profiles and accessories are available in your area, see [www.deeplas.co.uk](http://www.deeplas.co.uk) or contact a local dealer.



# 1.1 What is Twinson?



- Twinson is made of wood and PVC.
- The Twinson deck has a natural look and feel in combination with its maintenance friendliness.
- With the PEFC certification, it is an environmentally friendly alternative for tropical hardwood.



# 1.2 Material properties

## 1.2.1 Colours

During the first months of outside exposure (light, air, sun and humidity) the material goes through a maturing process. The colour will change to a slightly lighter shade of the original colour. After a couple of months, the final patina will be obtained. Planks should be mixed prior to installation to gain a natural effect.



506 - apricot



510 - slate grey



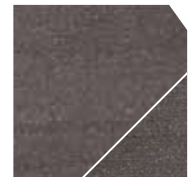
503 - hazelnut



509 - riverstone



505 - turf



504 - bark



502 - liquorice

## 1.2.2 Water stains

Water spots may form at the transition between weathered and partially sheltered **decking** surfaces. This occurs due to a natural constituent in wood and can be washed out with large amounts of clean water and typical household cleaning tools.

This effect is minor on surfaces exposed to heavy sunlight or completely rinsed off by rainwater.

These water spots do not impair the quality of the Twinson decking flooring and do not represent a defect.

# 1.3 Mechanical properties

See tables next page (fig. 1), for material and product related characteristics.

- Application P 9555:
  - Date: 27/06/2016
  - Version: 08



		EN 15534-1	BASED ON	SPECIFIC PROPERTY	UNIT	VALUE
physical properties	density	§ 6.2	ISO 1183-1/A		kg/dm <sup>3</sup>	1.46 ± 0.05
	moisture content	§ 6.3	ISO 16979		%	< 0.2
	HDT	§ 9.1	ISO 75-1/A		°C	75 ± 2
	vicat softening point	---	ISO 306/B50		°C	85 ± 2
mechanical properties	impact resistance	§ 7.1.1	ISO 179-1fU	charpy	kJ/m <sup>2</sup>	> 5
	tensile properties	§ 7.2	ISO 527-2/1B	tensile modulus	MPa	6500 ± 10%
				tensile strength	MPa	> 35
				strain at break	%	1.2 ± 10%
	flexural properties	§ 7.3.1	ISO 178	flexural modulus	MPa	6500 ± 10%
				bending strength	MPa	> 55
				bending at break	%	1.4 ± 10%
	creep behaviour (9MPa / 30°C / 20 days)	§ 7.4.1	ISO 899-2	elongation	%	< 0.3
	resistance to indentation	§ 7.5	EN 1534	1 kN	MPa	> 100
				3 kN	MPa	> 120
nail and screw withdrawal	§ 7.6	EN 13446		MPa	> 50	
durability	artificial weathering (300 hours WOM)	§ 8.1.1	ISO 4892-2	discoloration	dE	< 20
				impact retention	%	< 20
	moisture resistance (28 days)	§ 8.3.1	EN 317	mass increase	%	< 8
				length increase	%	< 0.6
				width increase	%	< 1.5
				thickness increase	%	< 4
	resistance to termites	§ 8.4	EN 117		class	1
	resistance against basidiomycetes	§ 8.5.2	ENV 12038		class	1
resistance against soil inhabiting soft rotting micro-fungi	§ 8.5.3	CEN/TS 15083-2		class	1	
thermal properties	linear thermal expansion (-20 °C ... + 60°C)	§ 9.2	ISO 11359-2	length direction	10 <sup>-6</sup> m <sup>-1</sup> K <sup>-1</sup>	20 - 25
				width direction	10 <sup>-6</sup> m <sup>-1</sup> K <sup>-1</sup>	45 - 50
				thickness	10 <sup>-6</sup> m <sup>-1</sup> K <sup>-1</sup>	65 - 70
	thermal conductivity	---	ISO/CD 22007-2	room temperature	W/m.K	0.2 - 0.3
burning behaviour	oxygen index	§ 9.5	ISO 4589-2		%	> 20
	epiradiator	---	NF P92-501		class	M4
		---	NBN S21-203		class	A4
	kleinbrenner	---	DIN 4102-1		class	B2



			EN 15534-1	BASED ON	SPECIFIC PROPERTY	UNIT	VALUE
PRODUCT RELATED CHARACTERISTICS (P9555)	physical properties	slip resistance	§ 6.4.3	DIN 51097	bare foot ramp test	class	C
			§ 6.4.4	EN 13893	Floor slider 2000	---	> 0.4
			§ 6.4.2	CEN/TS 15676	pendulum	USRV	> 36
			---	DIN 51130	rubber sole ramp test	class	R12
	mechanical properties	impact resistance	§ 7.1.2.1	EN 477	falling mass	J	13
		flexural properties (Lv = 50 cm)	§ 7.3.2	EN 310	flexural modulus	MPa	7000 ± 10%
					bending strength	MPa	> 50
					bending at break	mm	15 ± 2
	creep behaviour (Lv = 50 cm / 85kg / 50°C / 7 days)	§ 7.4.1	EN 310	additional bending	mm	< 10	
	durability	natural weathering (1 year Bandol)	§ 8.2.1	ISO 877-2	discoloration	dE	< 20
					impact retention	%	< 20
					bending strength retention	%	< 20
		cyclic conditions (Lv = 50 cm)	§ 8.3.2	EN 321	bending strength retention	%	< 20
		boiling test	§ 8.3.3	ISO 1087-1	mass increase	%	< 8
					length increase	%	< 0.6
					width increase	%	< 1.5
					thickness increase	%	< 4
	thermal properties	heat reversion	§ 9.3	EN 479		%	< 0.2
heat build-up		§ 9.4	ASTM D4083		°C	< 45	
burning behaviour	single flame source	§ 9.6.1	ISO 11925-2		pass	OK	
	radiant heat source	§ 9.6.3	ISO 9239-1		class	Bfl s1	
	hot metal nut test	---	BS 4790		radius	< 35	

fig.1: Mechanical properties.

# 1.4 Warranty

## DECEUNINCK NV

Warranty certificate Twinson® Terrace products

Subject of the conditions set out below, Deceuninck NV warrants to the purchaser who directly purchases from Deceuninck NV (hereinafter "Purchaser"), that the Twinson® Terrace products will correspond with their specification at the time of delivery.

SAVE AS EXPRESSLY PROVIDED IN THIS WARRANTY, DECEUNINCK NV DOES NOT PROVIDE ANY WARRANTY (WHETHER EXPRESS OR IMPLIED) AS TO THE QUALITY OF THE TWINSON® TERRACE PRODUCTS OR THEIR FITNESS FOR ANY PARTICULAR PURPOSE (EVEN IF THIS PURPOSE IS MADE KNOWN EXPRESSLY OR BY IMPLICATION BY DECEUNINCK NV) OR AS TO THE CORRESPONDENCE OF THE TWINSON® TERRACE PRODUCTS WITH ANY DESCRIPTION OR SAMPLE. NEITHER DOES DECEUNINCK PROVIDE ANY OTHER WARRANTY. SUCH WARRANTIES ARE HEREBY EXCLUDED TO THE FULLEST EXTENT PERMITTED BY LAW.

Notwithstanding the stipulations of this Warranty and subject to evidenced normal use, load and maintenance conditions, Deceuninck NV, (hereinafter "Deceuninck") warrants to the Purchaser that,

- (1) for a period of twenty-five (25) years from the date of original purchase, Twinson® Terrace products shall not split, splinter or suffer structural damage as a sole and direct consequence of termites, insects or soft rotting micro-fungi;
- (2) for a period of ten (10) years from the date of original purchase, Twinson® Terrace products shall not break, provided however that this warranty explicitly excludes occurrences where the break occurs or may have occurred as a consequence of impact loads;
- (3) for a period of ten (10) years from the date of original purchase, that accidental stains on the Twinson® Terrace products due to spots of chlorinated water, spots of bleach solution or spots of road salt, as stated in the maintenance instruction for Twinson® Terrace products ([www.twinson.com](http://www.twinson.com)), will disappear after sufficient outside exposure of the material.

If one of the above defects occur within the related Warranty period, Purchaser shall immediately notify Deceuninck in writing to the place of business of Deceuninck, and the Purchaser shall provide a description of the claimed defect, proof of purchase and of purchase date and of normal use, load and maintenance. If these conditions have not been complied with, the Warranty shall not be applicable. Upon timely notification and in accordance with the above, Deceuninck will at its option and in Deceuninck's sole discretion either, (a) provide Purchaser with non-defective replacement Twinson® Terrace products or (b) substitute the defective Twinson® Terrace product with a product that in its sole determination is of comparable value and quality or (c) refund the portion of the purchase price paid by Purchaser for such defective product taking into account the depreciated value of the product (not including the cost of its initial installation).

Any replacement or substitute products provided will be covered under this Warranty only for the time remaining under the original Warranty period.

Deceuninck reserves the right to discontinue availability of any Twinson® Terrace product at any time. The replacement, substitution or refund of defective Twinson® Terrace products is Purchaser's sole remedy under this Warranty.

Deceuninck will have no liability or responsibility to the Purchaser other than as expressly provided in sub-paragraphs (1), (2) and (3) above.

Labour costs incurred in removing defective Twinson® Terrace products or installing replacement or substitute products are NOT covered by this warranty. Any additional costs and expenses, such as shipping, delivery, installation, removal, and all other incidentals are not covered by the warranty and are expressly disclaimed.

Deceuninck cannot be held responsible for: (1) improper installation of Twinson® Terrace products and/or failure to abide by Deceuninck's installation guidelines; (2) use of Twinson® Terrace products beyond normal use, or in an application not recommended by Deceuninck's guidelines and local building codes; (3) movement, distortion, collapse or settling of the ground or the supporting structure on which Deceuninck products are installed; (4) any act of God (such as flooding, hurricane, earthquake, lightning, etc.), environmental condition (such as air pollution, superficial overgrowth due to mold and algae, etc.), or staining from foreign substances (such as dirt, grease, oil, or products having an effect on Twinson® Terrace products etc.); (5) variations or changes in color; (6) improper handling, storage, improper use or neglect of Twinson® Terrace products by Purchaser or third parties; or (7) change of properties or damage as a result of paints, varnishes, wood protection oils applied to the Twinson® Terrace surface.

No person or entity is authorized by Deceuninck to make any statement or representation as to the quality or performance of Twinson® Terrace products other than as contained in this warranty and Deceuninck shall not be bound by any statement or representation. This warranty may not be altered or amended except in a written instrument signed by Deceuninck and Purchaser.

This warranty is governed by Belgian law.

This warranty is issued by Deceuninck NV on 1st October 2015 and accepted by Purchaser.

Name, address and signature Purchaser

This warranty must be returned signed to Deceuninck NV, att. Central Laboratory, Bruggesteeweg 360, B-8830 Hooglede-Gits where it will be registered.

Photocopies are not accepted.





# Decking

## 2 Preparation / processing



1. Storage & transport
2. Tools
3. Recommended safety equipment
4. Maximum load
5. Installation instructions
6. Initial cleaning



*Before installation, please read carefully the installation instructions!*



This symbol appears on pages which are new or differ from the previous manual version.  
Please consult the up to date installation manual on our website [www.deeplas.co.uk](http://www.deeplas.co.uk)

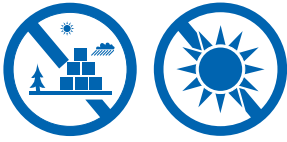
08/2016 - V5 - published work© 2016 - Deeplas

Deeplas composed this manual with the utmost care. Nevertheless, data contained in this manual might be outdated, incomplete, and/or inaccurate. No rights, claims, commitments or guarantees can be derived from the presented information. The texts, photographs, logos, pictures and brands (among which Deeplas, Linktrusion and Twinson included) are covered by intellectual property rights. They are exclusive property of Deeplas. Nothing included in this publication can, fully or partially, in any way be reproduced without prior permission.

The available profiles and accessories may vary depending on your location. To find out which profiles and accessories are available in your area, see [www.deeplas.co.uk](http://www.deeplas.co.uk) or contact a local dealer.

## 2.1 Storage & transport

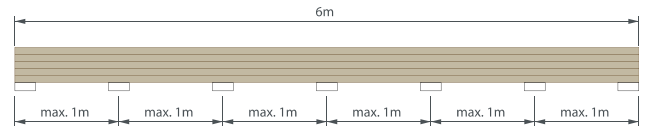
- Store profiles or stillages containing profiles in a dry and ventilated environment, away from direct exposure to sunlight.



- Stock and transport the profiles horizontally.
- Handle long profiles with 2 persons (> 2 m).
- Unload the profiles with care.
- Ensure that the profiles are secured during transportation, Twinson profiles can easily slide over each other and this can

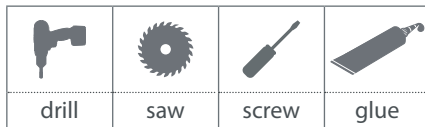
leave shiny tracks and burrs on to the profiles.

- Profiles or stillages partially stored outside will result in differences in colour on the profiles. The parts of the profiles that are exposed to the elements (rain, UV) will incur some weathering and change in colour. Afterwards, when they are completely exposed outside, the normal weathering process will continue.
- Distance between supports maximum 1m.



## 2.2 Tools

- You can use almost the same range of tools as for wood.

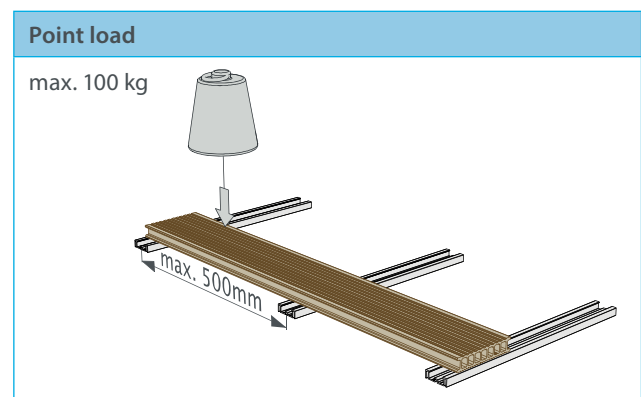
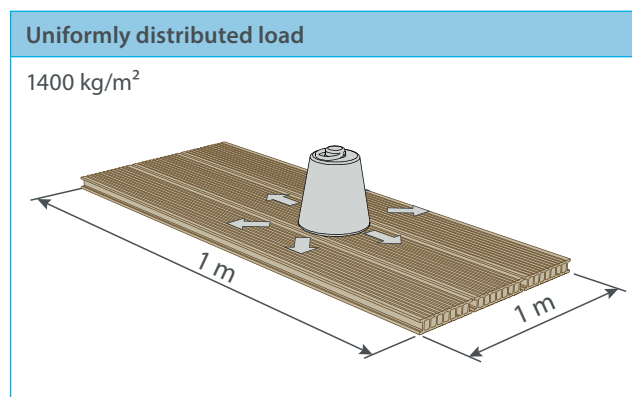


- Specific tools / machining:
  - Glass paper, sandpaper, wire brush or steel wool.
  - Drilling: HSS metal drill bits. During drilling, for best result do not apply heavy pressure. Periodically lift the bit to clear the shavings.
  - Cutting: use thin saw blades with carbide teeth. Number of teeth: minimum 80 (Ø 250 mm - Ø 300 mm).

## 2.3 Recommended safety equipment



## 2.4 Maximum load



## 2.5 Installation instructions

- Distance between centres support beams:

- Installation 90° (fig. 1): possible for all mentioned support beams in this manual.

	90°	45°
X	≤ 250 mm	≤ 175 mm
Y	≤ 50 mm	≤ 50 mm

- Installation 45° (fig. 2): only possible with P 9552 and wooden support beams.

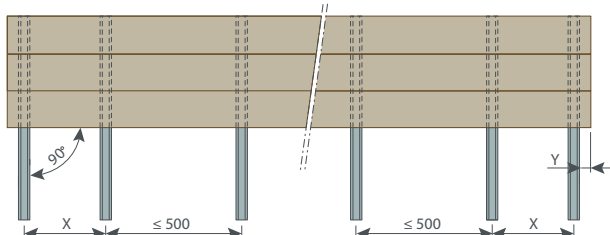


fig.1: Installation 90°

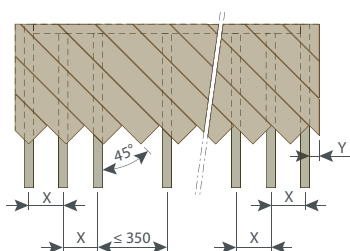
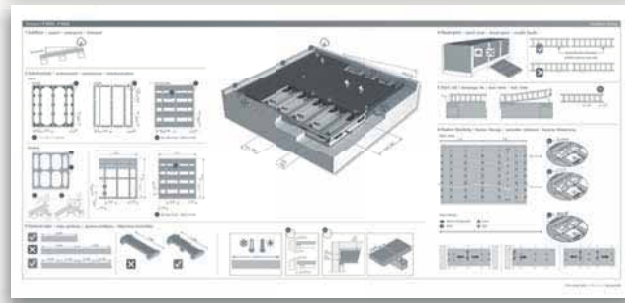
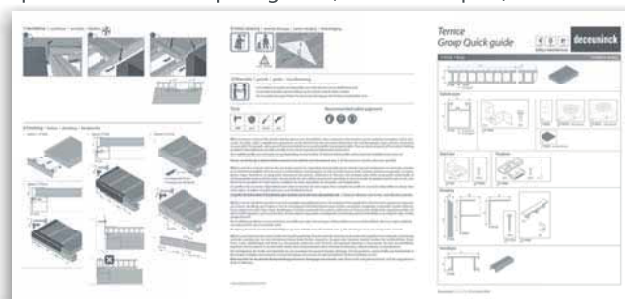
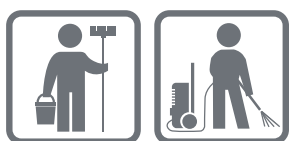


fig.2: Installation 45°

- For a perfect result, it is advisable to cut both ends of the plank removing approx 10 mm. The planks are slightly rounded at the ends because of the brushing process.
- For each combination of support beam and plank, there is a specific installation quick guide (see next chapter).

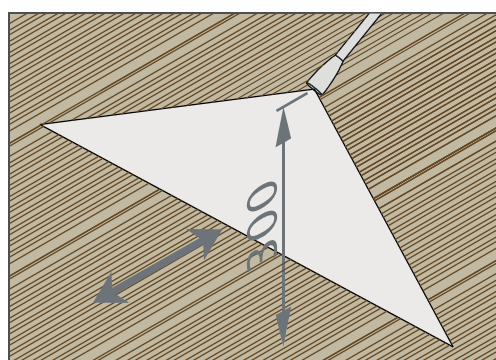


## 2.6 Initial cleaning



It is possible that there is dust build-up after installation which can cause water stains. We recommend you to wash the surface thoroughly. This can be done by using a soft brush and water combined with a diluted household detergent.

It is also possible to clean the deck with a high pressure cleaner (not a steam cleaner). The pressure nozzle should be kept 30 cm from the surface and the pressure limited to 100 bar max.



# Decking

## 3 Quick guides



1. Summary of Installation Sheet
2. Quick guide P 9555 - P 9522
3. Quick guide P 9555 - P 9524
4. Quick guide P 9555 - P 9523
5. Quick guide P 9555 - P 9552
6. Quick guide P 9555 - wood
7. Quick guide Adjustable pedestal
8. Making steps & access panel



*Before installation, please read carefully the installation instructions!*

08/2016 - V5 - published work© 2016 - Deeplas

Deeplas composed this manual with the utmost care. Nevertheless, data contained in this manual might be outdated, incomplete, and/or inaccurate. No rights, claims, commitments or guarantees can be derived from the presented information. The texts, photographs, logos, pictures and brands (among which Deeplas, Linktrusion and Twinson included) are covered by intellectual property rights. They are exclusive property of Deeplas. Nothing included in this publication can, fully or partially, in any way be reproduced without prior permission.

The available profiles and accessories may vary depending on your location. To find out which profiles and accessories are available in your area, see [www.deeplas.co.uk](http://www.deeplas.co.uk) or contact a local dealer.



# 1. Summary of Installation Sheet

## Important Information

Including but not limited to P9555 System. V019/10/16

- Advisory note re brushing process chamfer during manufacture. See page 11 of the manual V3- 05/2016
- Allow for surface drainage in the direction of the decking plank grooves. See section 1 of the quick guides.
- 9552 & 9523 non-structural support beams must be fully supported and secured, allow adequate drainage for all fixed beams. See section 2
- All sub structures first two beams at 250mm. Max 500mm centres thereafter for domestic and commercial. See section 2. Note: For 45° installations refer to page 11 of the manual V3- 05/2016
- Floating sub-structures must have cross member supports added. See section 2 Floating.
- Adjustable pedestal spacing up to 500mm along each beam and a maximum 250mm in from each end. See section 2. Note: Seek advice for timber smaller than the recommendation.
- For surfaces, longer than 6m, cut boards to a maximum of 4m lengths. See section 3
- If the deck boards are 500mm long it is advised to use at least three support profiles. See section 3
- Allow expansion of 2mm/m for deck boards and plinth. See section 3
- Allow for adequate ventilation around an enclosed ground deck. See section 3
- Maximum overhang 50mm. See section 3
- Leave a minimum 5mm gap at the start and finish of all sub-structure types. See section 3b
- At a butt joint ensure both boards are held by a clip. See section 3
- Acclimatise the profiles and colour weathering/stabilisation. See section 4 & page 5 of the manual V3- 05/2016
- P9555 brush directional ID pip must be the same for every plank laid. See section 4
- Start/end options for 9552 batten & timber. 2761 rail 9481 clips or F & L profiles. See section 5 & 8
- Start/end options for aluminium. 9512 clips or F & L profiles. See section 5 & 8
- P9555 cut down length ways rule always in the middle of a chamber to ensure clip location. See section 5
- Anti-shift fixation/blocking one horizontal screw into the side of the deck board (usually in the middle) one vertical screw into the sub-structure for every clip. See section 6 Fixation/blocking
- See blocking and fixing options for the various decking systems. See section 6 blocking
- Allow for adequate ventilation. See section 7
- Ensure endcap is the right side up. See section 8 Finishing
- When starting/finishing with 'F' or 'L' profiles please maintain a close fit at the width but allow suitable expansion gap at the ends. Observe general expansion rule: 2mm/m. See section 8
- Screwing directly through the Terrace plank is not permitted. See section 8
- Slots to fix P9556 plinth & no counter sunk screws to be used. A suitable glue can be used. See section 8
- Cleaning immediately after installation. Use of pressure washer at minimum 300mm. Max 100 bar. See page 11 of the manual V3- 05/2016

**This document is intended as a quick reference guide only and must be used alongside the official installation manual V3-05/2016**

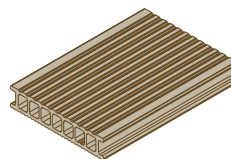
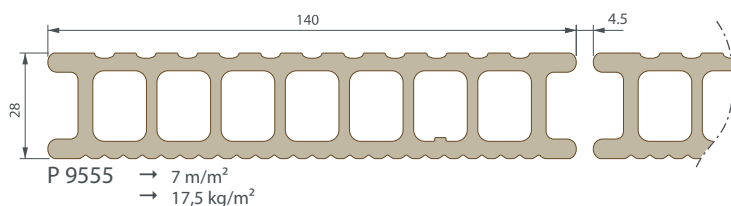
# Decking Group Quick guide



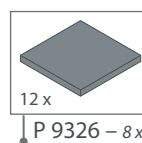
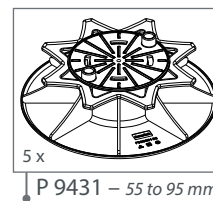
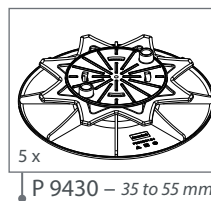
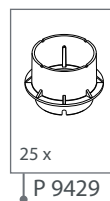
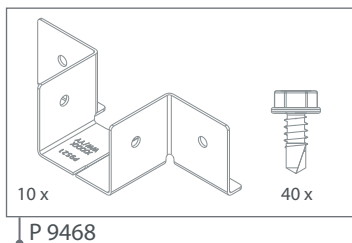
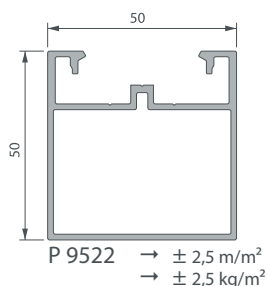
Building a sustainable home

## P 9555 - P9522

## Outdoor living

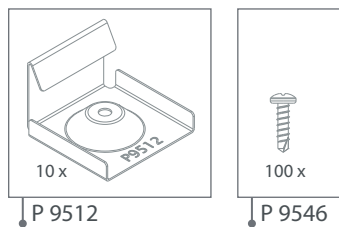


### Substructure

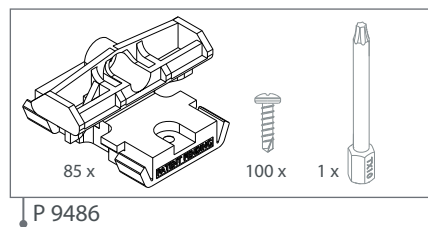


P 9326 – 8 x 90 x 90 mm Optional

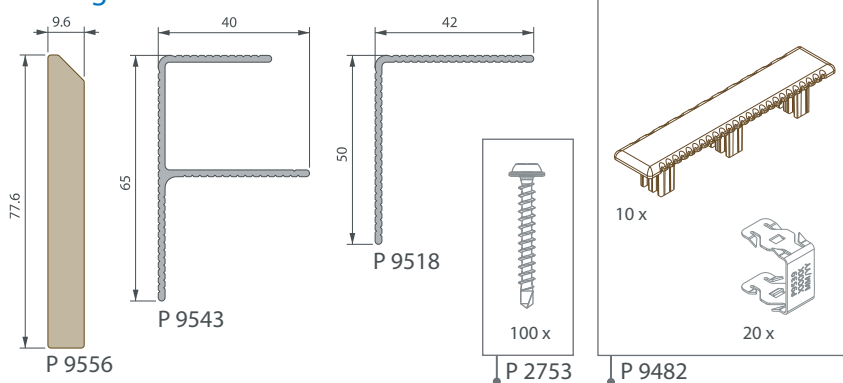
### Start/end



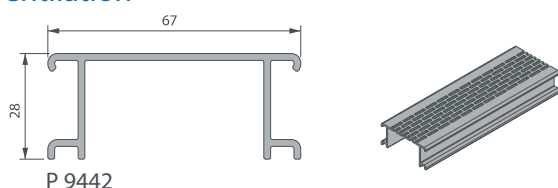
### Fixation



### Finishing



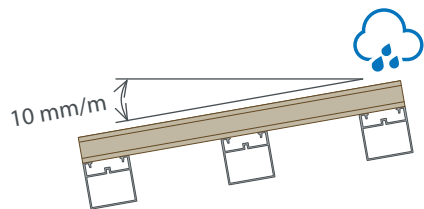
### Ventilation



Optional



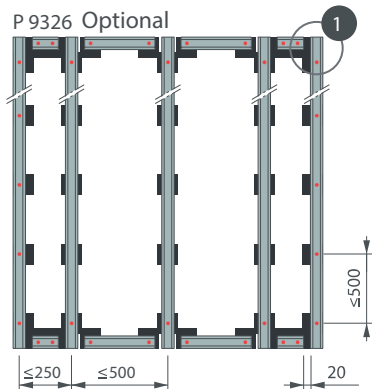
1 Subfloor | support | ondergrond | Untergrund



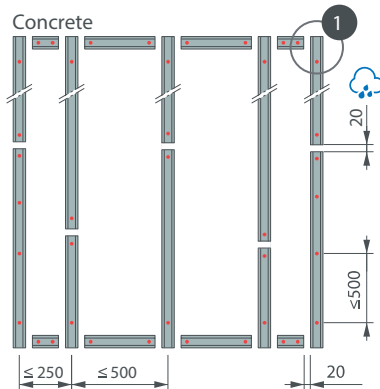
2 Substructure | soubassement | onderstructuur | Unterkonstruktion

Fixed

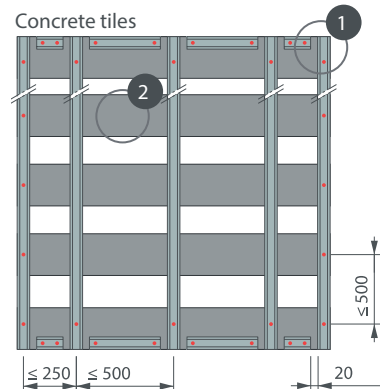
• P 9326 Optional



• Concrete



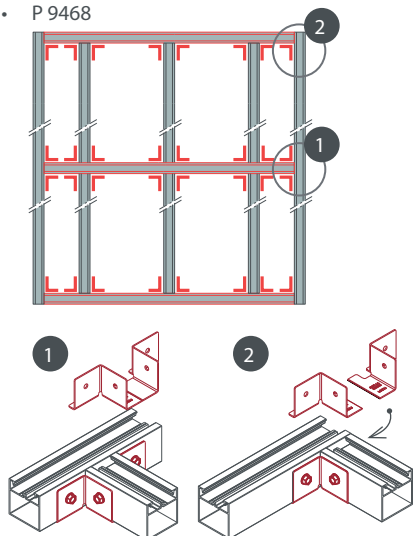
• Concrete tiles



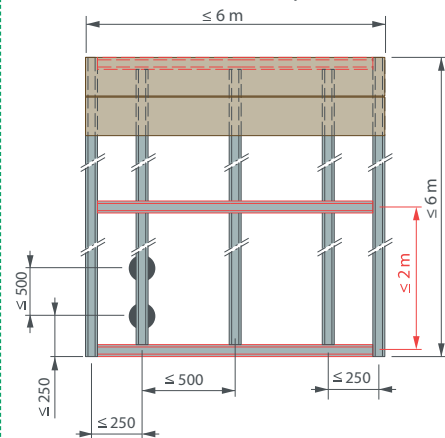
2 40 x 40 x 5 cm – 100 x 25 x 5 cm

Floating

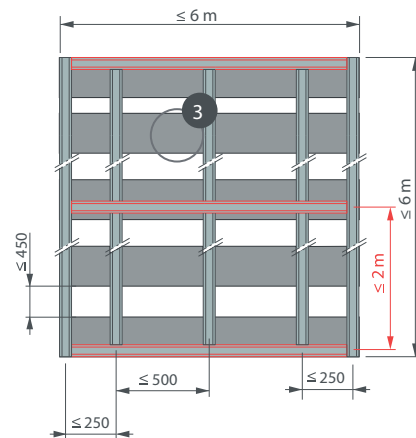
• P 9468



• P 9430 - P 9431 / P 9326 Optional

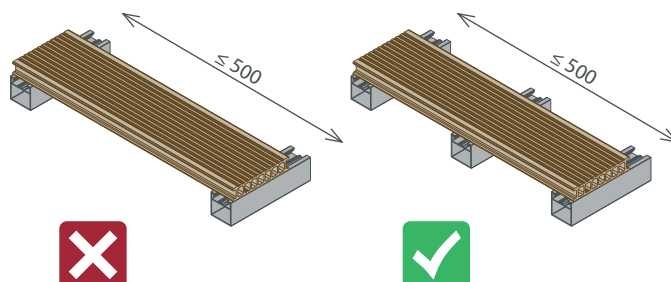
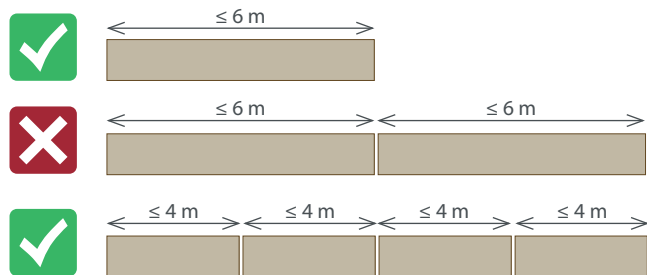


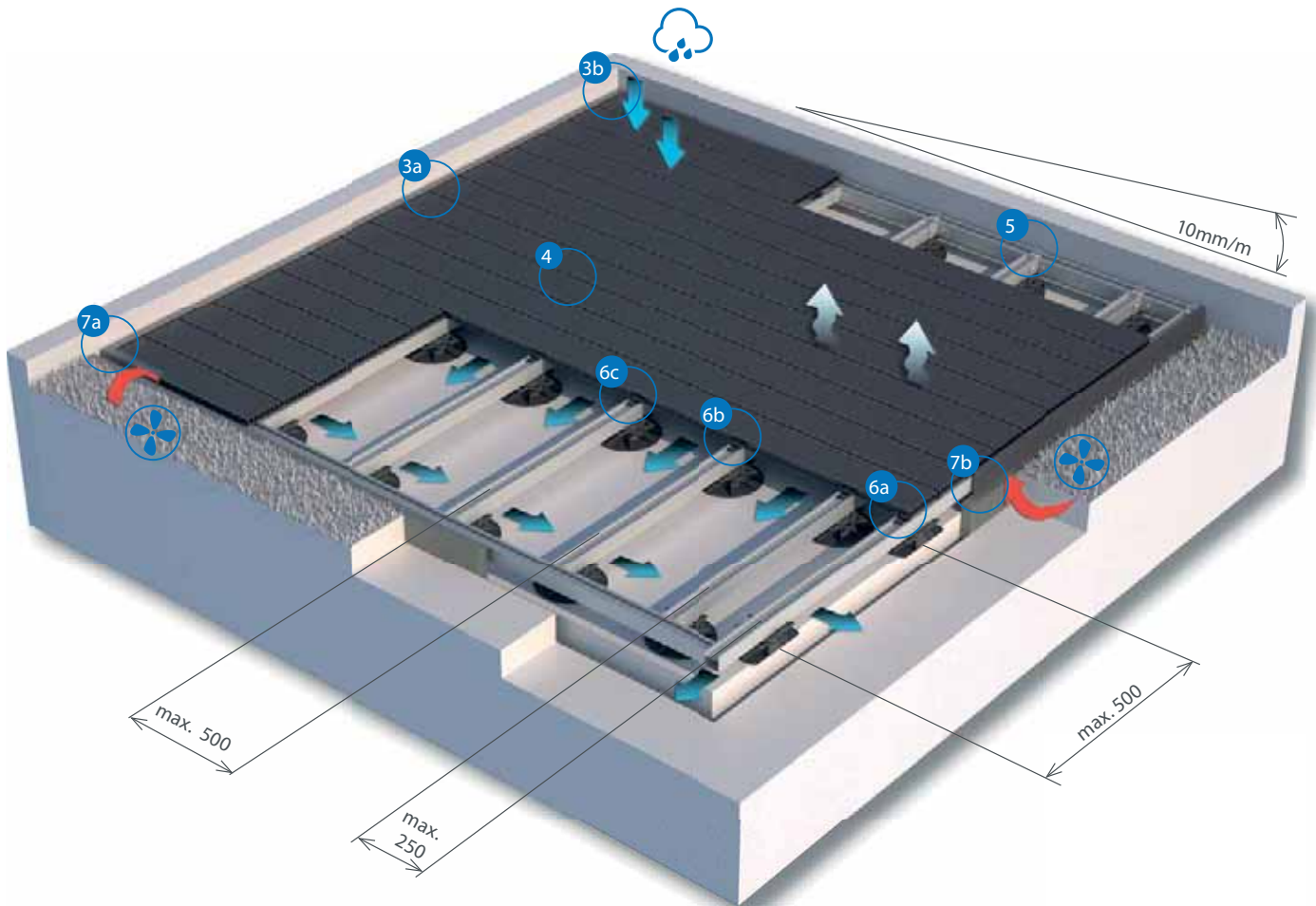
• Concrete tiles



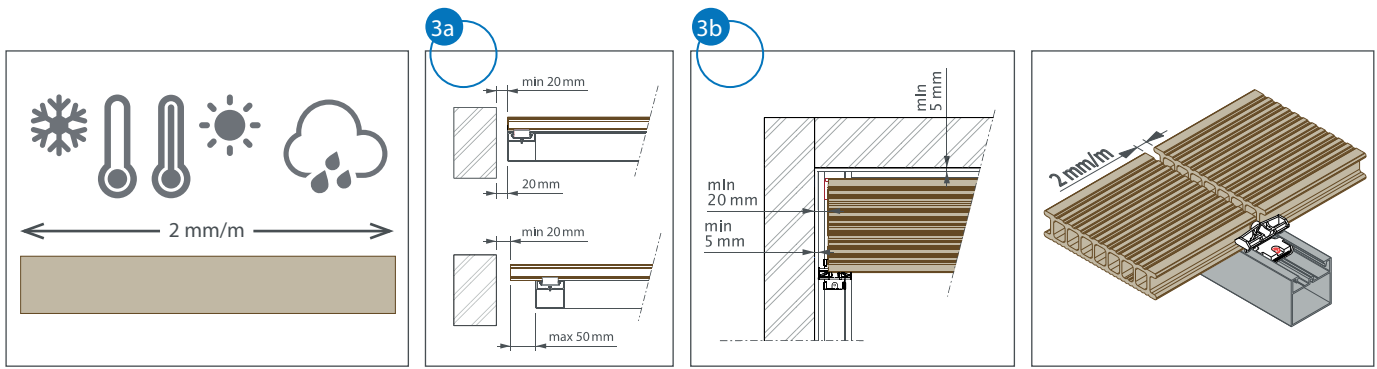
3 40 x 40 x 5 cm – 100 x 25 x 5 cm

3 General rules | règles générales | algemene richtlijnen | Allgemeine Vorschriften



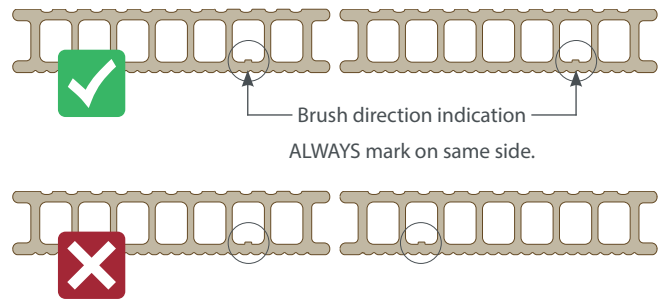
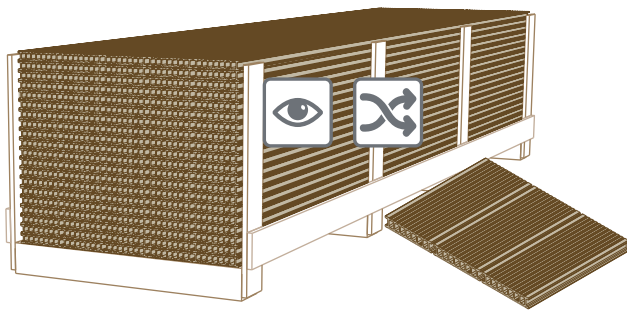


3 General rules | règles générales | algemene richtlijnen | Allgemeine Vorschriften

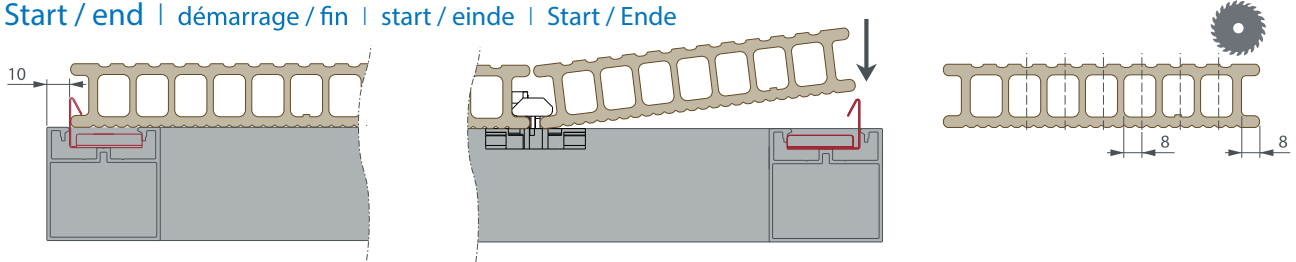




4 Visual aspect | aspect visuel | visueel aspect | visueller Aspekt

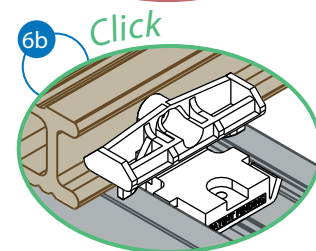
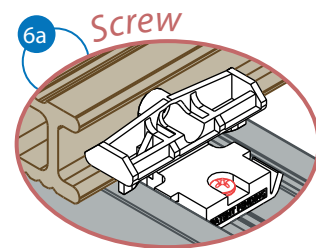
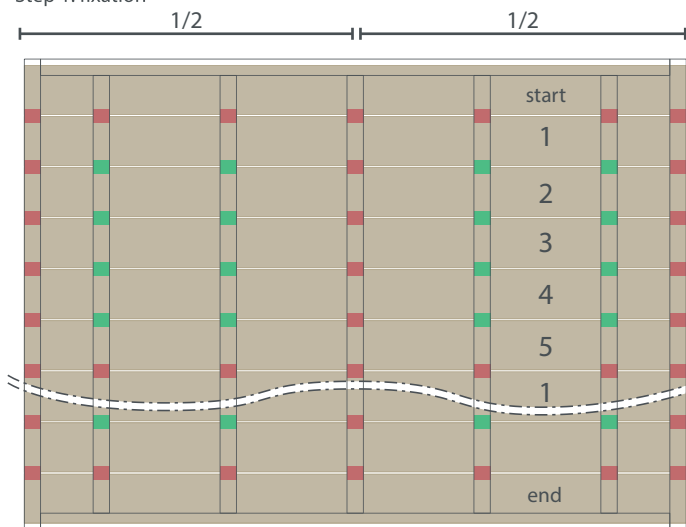


5 Start / end | démarrage / fin | start / einde | Start / Ende



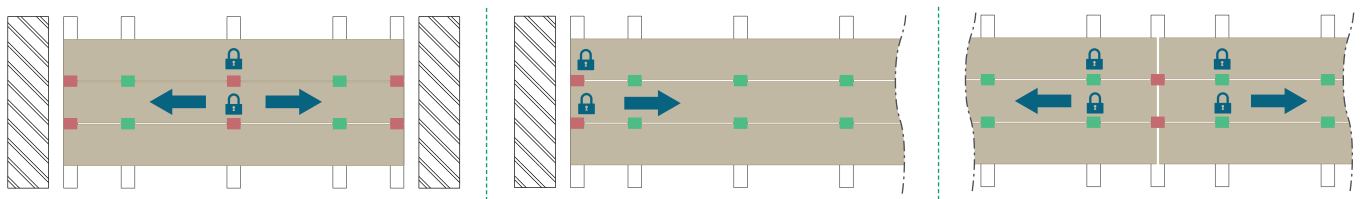
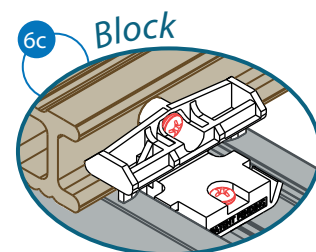
6 Fixation / blocking | fixation / blocage | vastmaken / blokkeren | Fixierung / Blockierung

Step 1: fixation

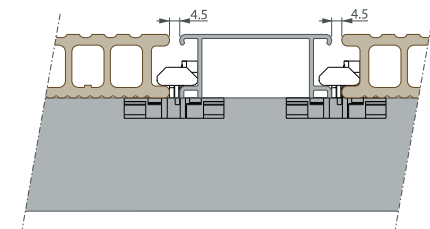
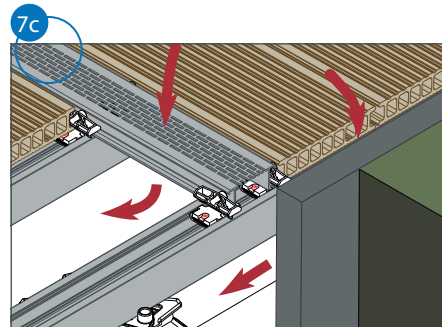
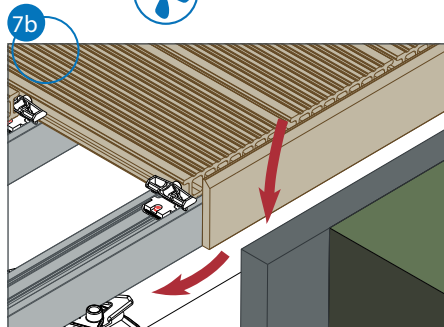
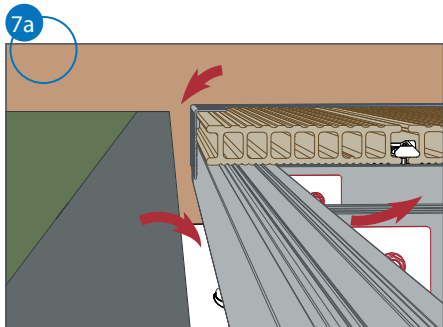


Step 2: blocking

- direction of expansion
- screw
- block
- click



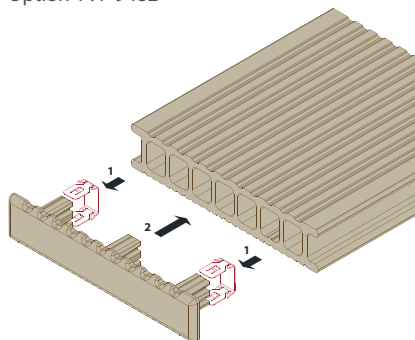
7 Ventilation | ventilation | ventilatie | Belüftung



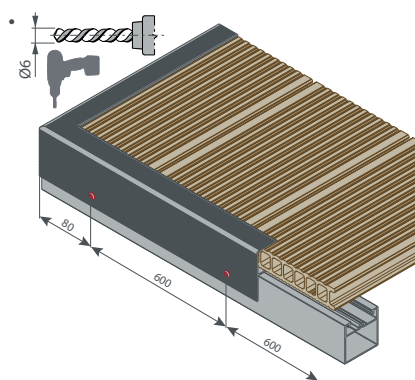
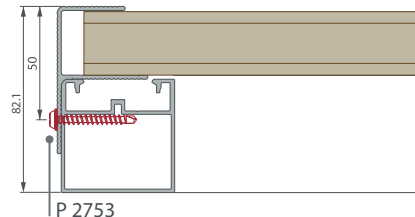
Optional

8 Finishing | finition | afwerking | Randabschluss

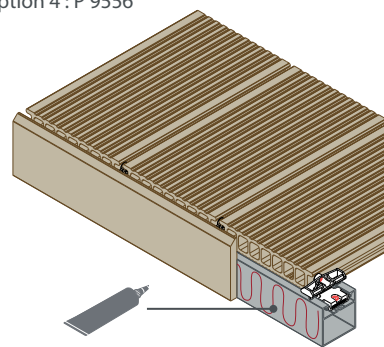
• Option 1 : P 9482



• Option 3 : P 9543

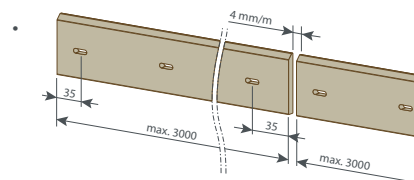
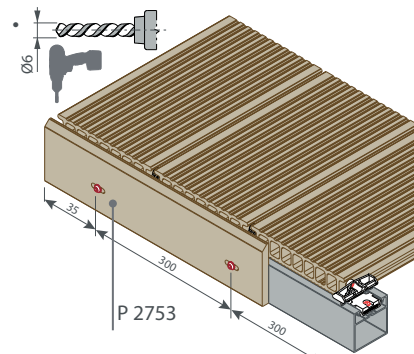
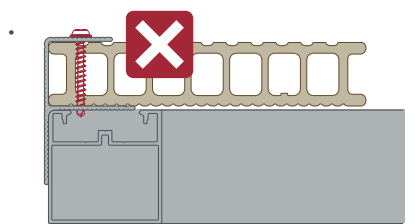
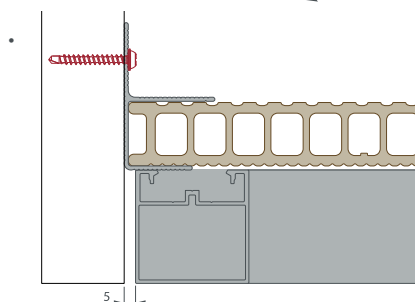
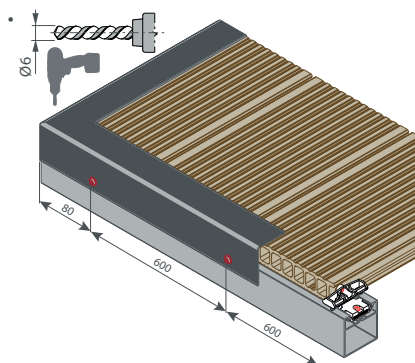
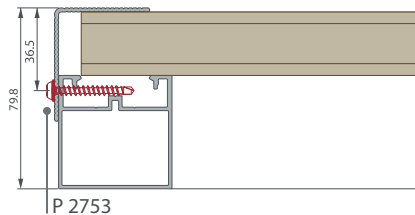


• Option 4 : P 9556



- 2-component PU glue
- 1-component MS Polymer

• Option 2 : P 9518



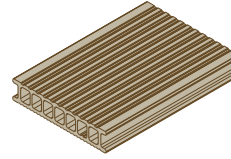
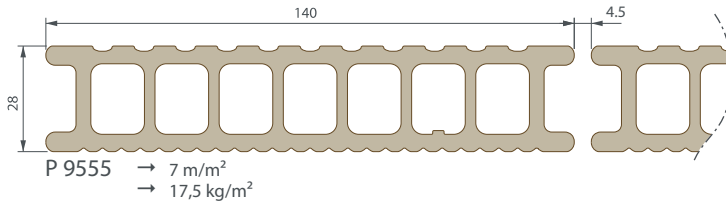
# Decking Group Quick guide



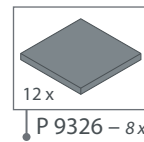
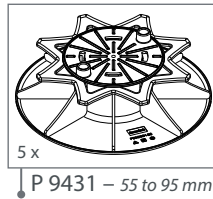
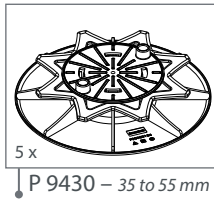
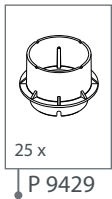
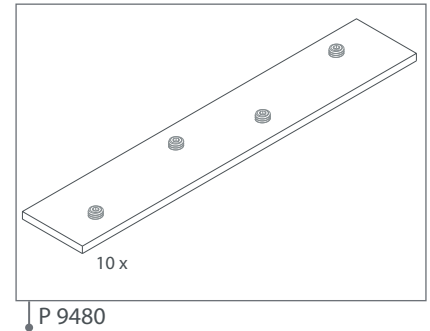
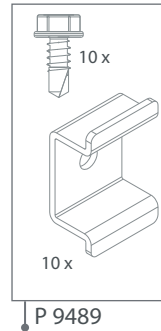
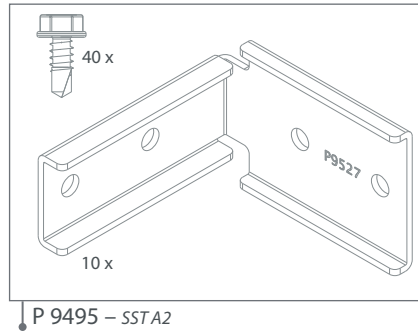
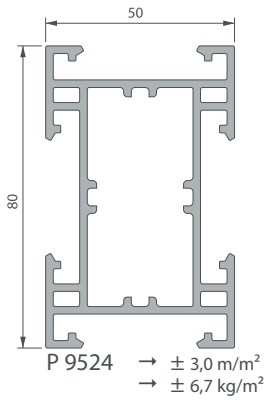
Building a sustainable home

P 9555 - P9524

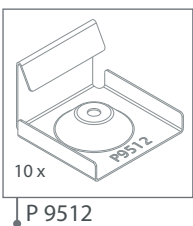
Outdoor living



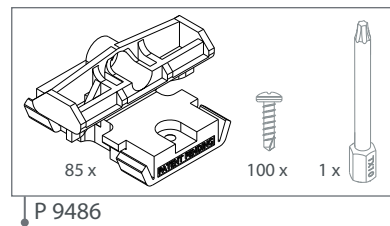
## Substructure



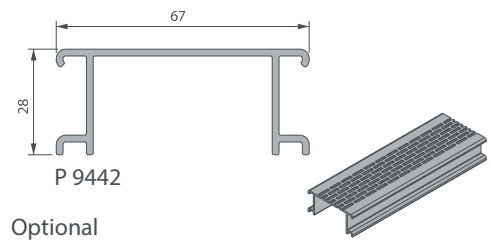
## Start/end



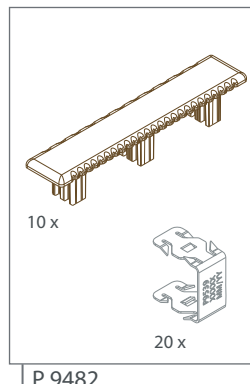
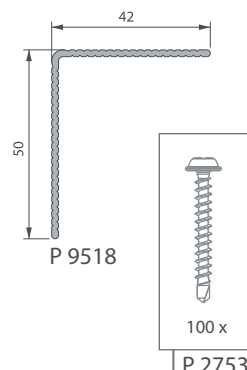
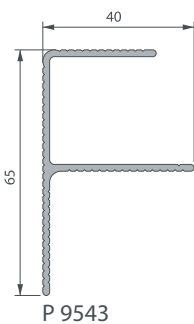
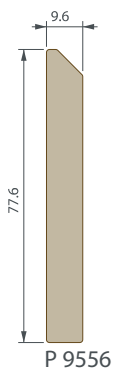
## Fixation



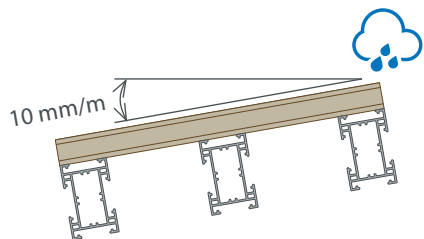
## Ventilation



## Finishing



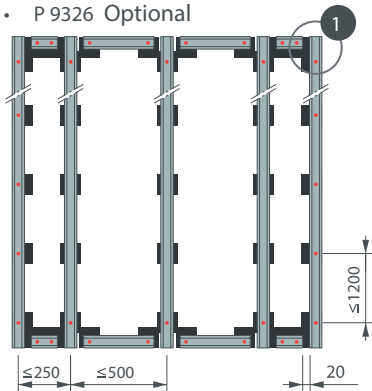
1 Subfloor | support | ondergrond | Untergrund



2 Substructure | soubassement | onderstructuur | Unterkonstruktion

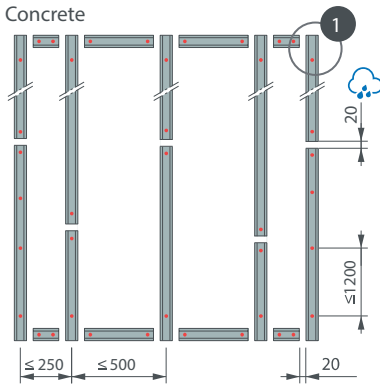
Fixed

- P 9326 Optional

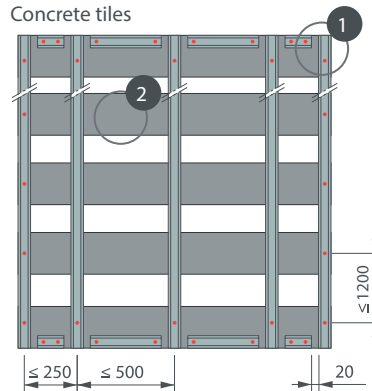


1 Optional

- Concrete



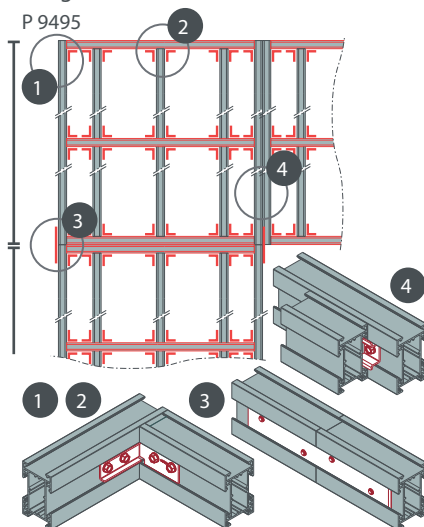
- Concrete tiles



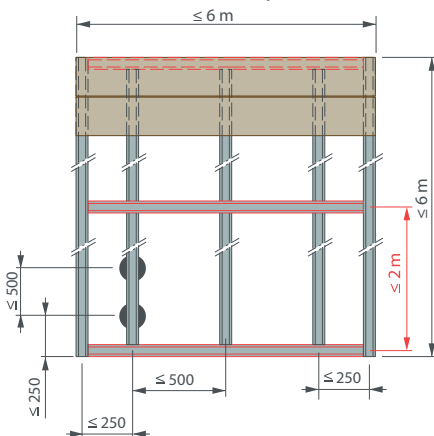
2 40 x 40 x 5 cm – 100 x 25 x 5 cm

Floating

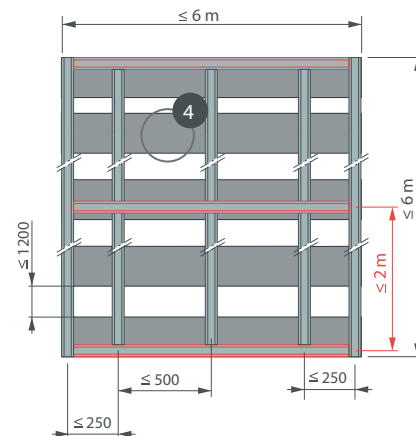
- P 9495



- P 9430 - P 9431 / P 9326 Optional

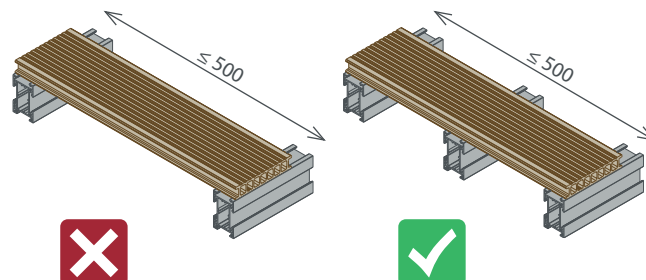
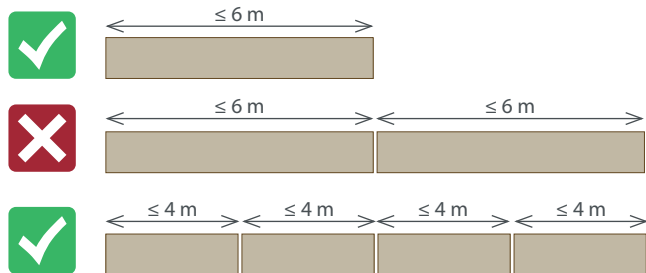


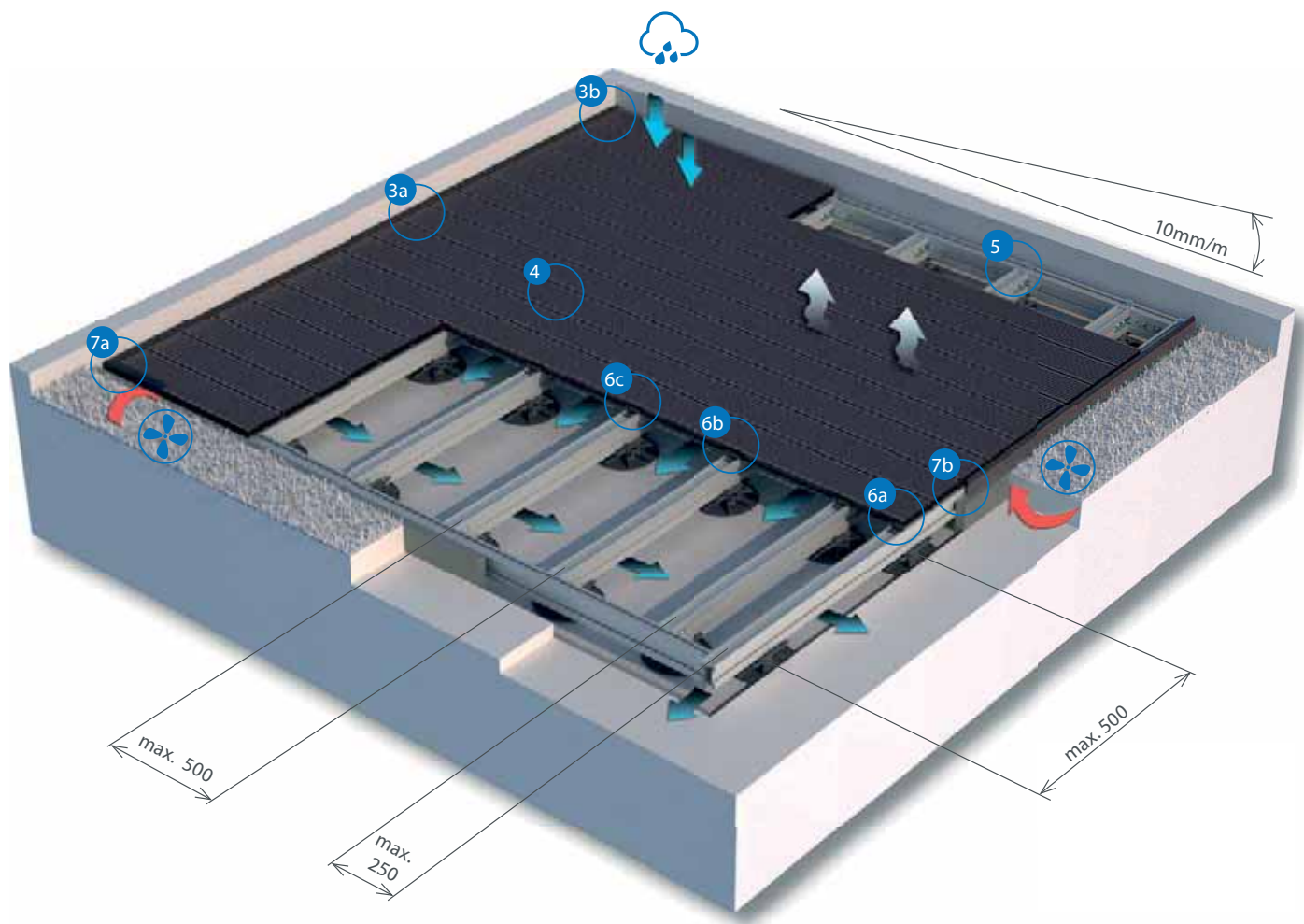
- Concrete tiles



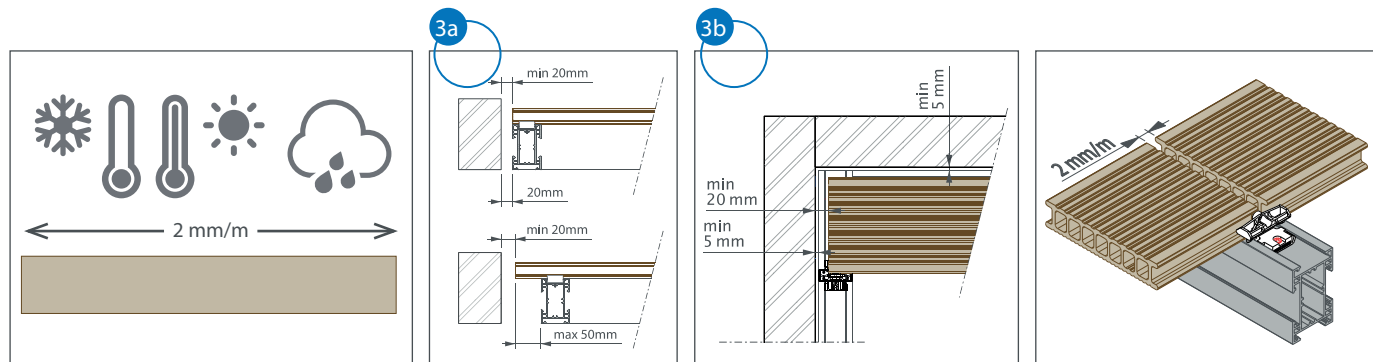
4 40 x 40 x 5 cm – 100 x 25 x 5 cm

3 General rules | règles générales | algemene richtlijnen | Allgemeine Vorschriften



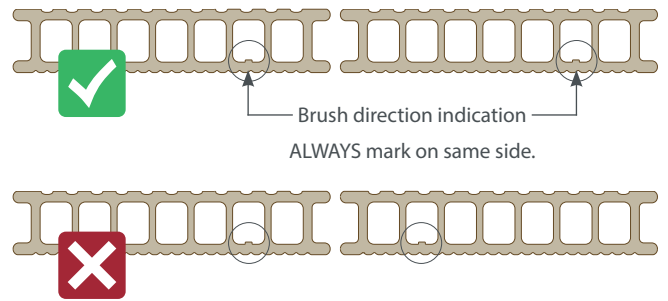
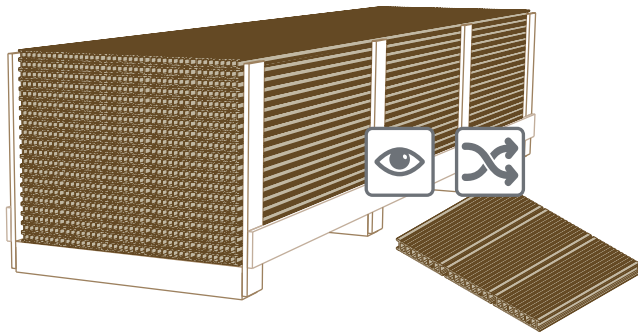


3 General rules | règles générales | algemene richtlijnen | Allgemeine Vorschriften

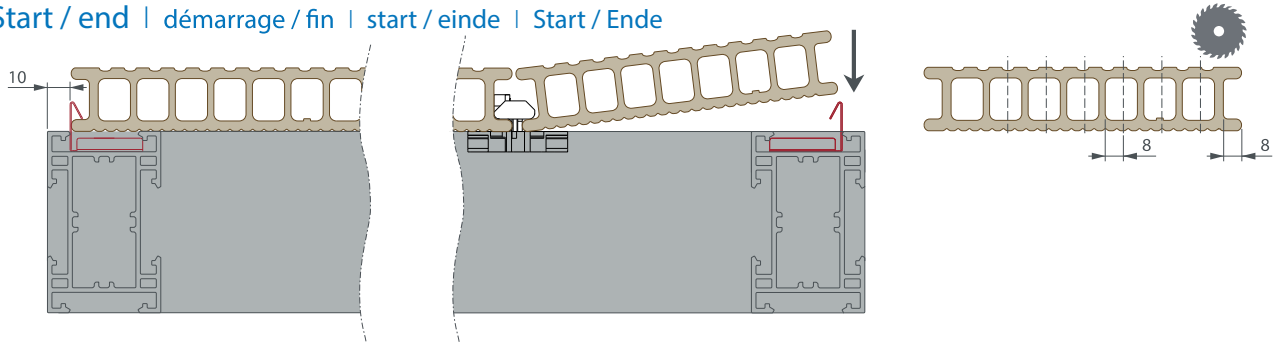




4 Visual aspect | aspect visuel | visueel aspect | visueller Aspekt

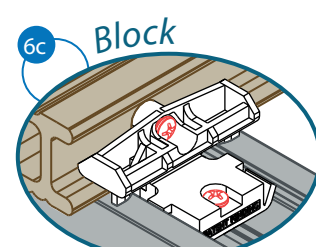
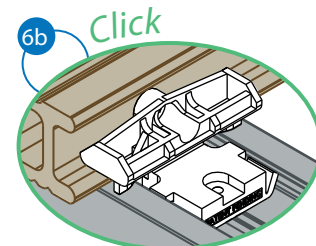
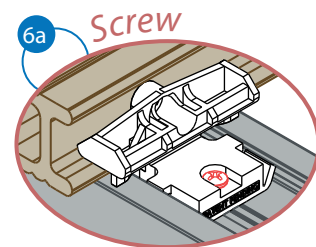
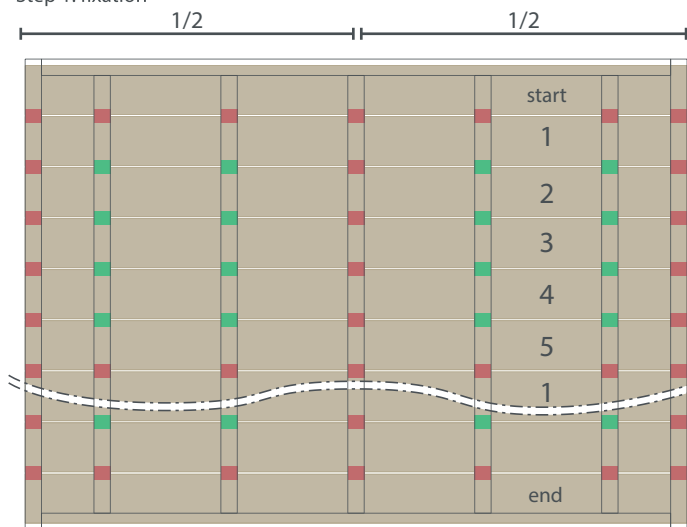


5 Start / end | démarrage / fin | start / einde | Start / Ende



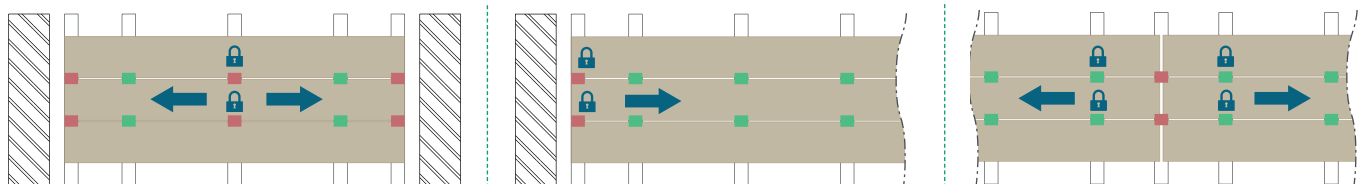
6 Fixation / blocking | fixation / blocage | vastmaken / blokkeren | Fixierung / Blockierung

Step 1: fixation



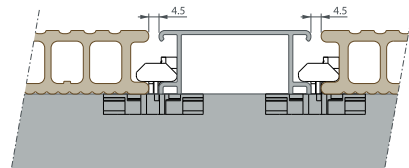
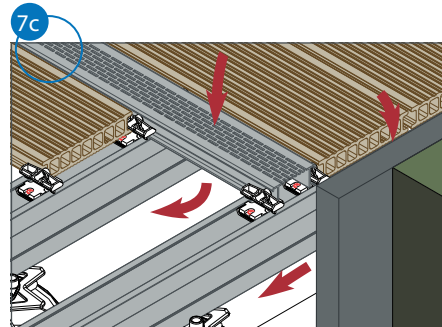
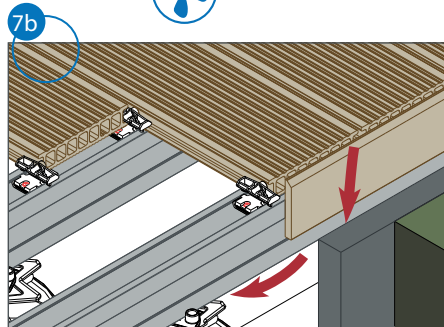
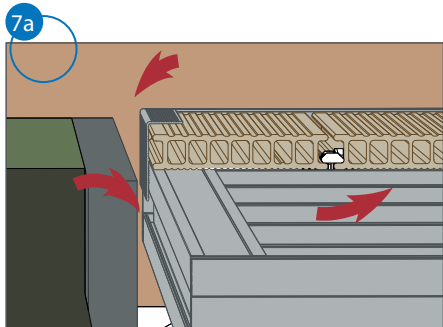
Step 2: blocking

- direction of expansion
- screw
- block
- click





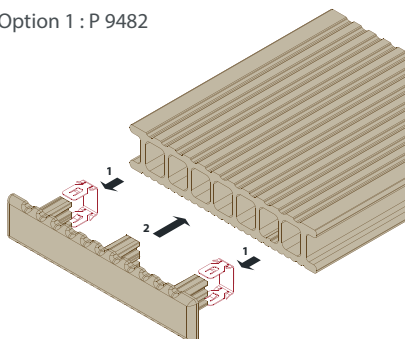
7 Ventilation | ventilation | ventilatie | Belüftung



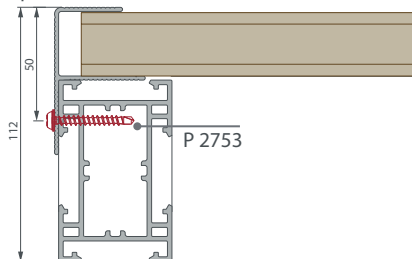
Optional

8 Finishing | finition | afwerking | Randabschluß

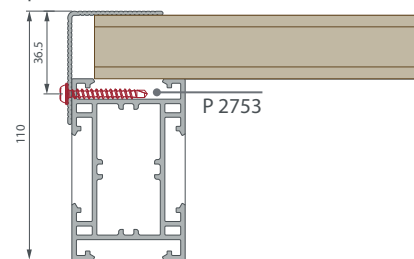
- Option 1 : P 9482



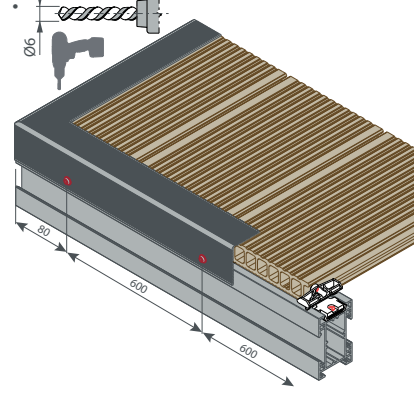
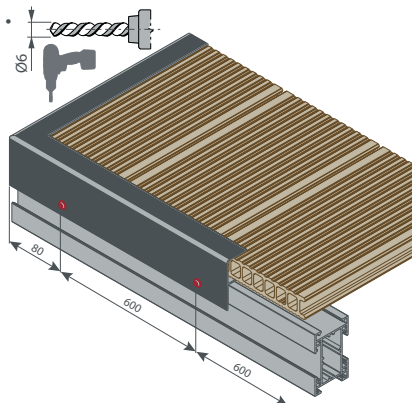
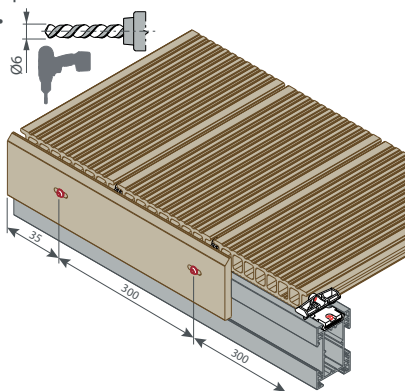
- Option 3 : P 9543



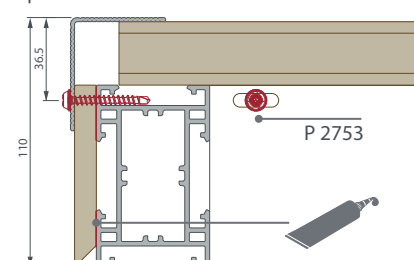
- Option 4 : P 9518



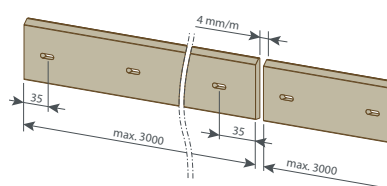
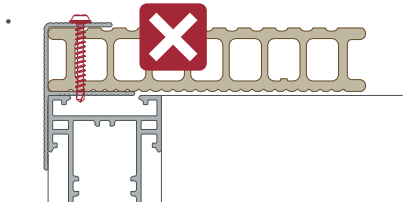
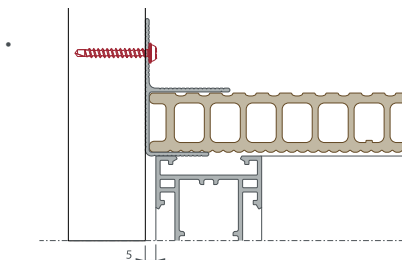
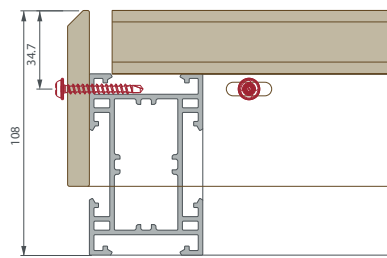
- Option 2 : P 9556



- Option 5 : P 9556 - P 9518



- All profiles
- 2-component PU glue
- 1-component MS Polymer



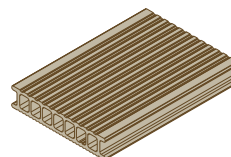
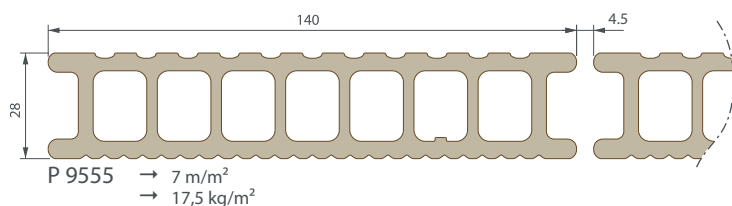
# Decking Group Quick guide



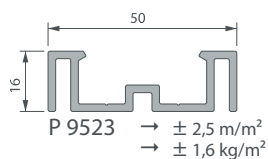
Building a sustainable home

P 9555 - P9523

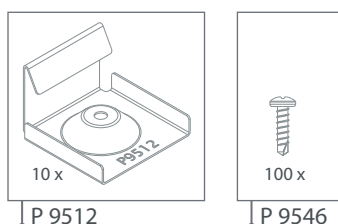
Outdoor living



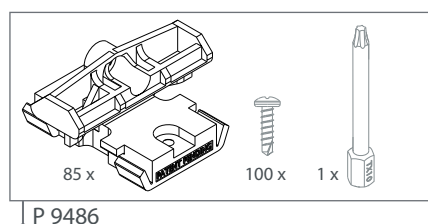
## Substructure



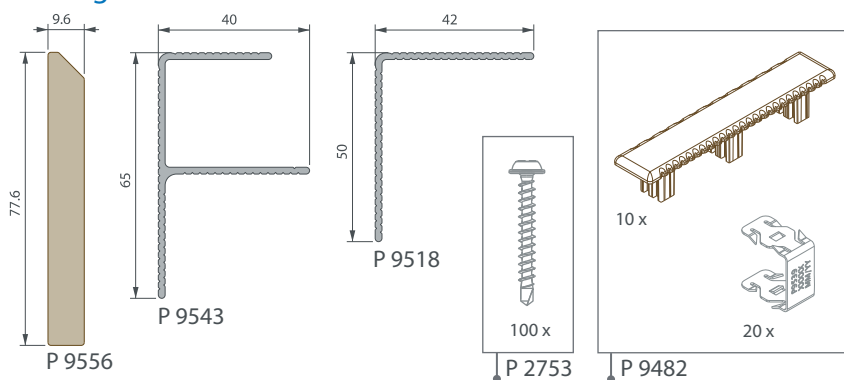
## Start/end



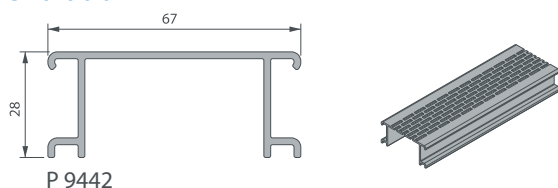
## Fixation



## Finishing



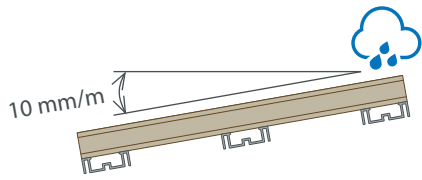
## Ventilation



Optional



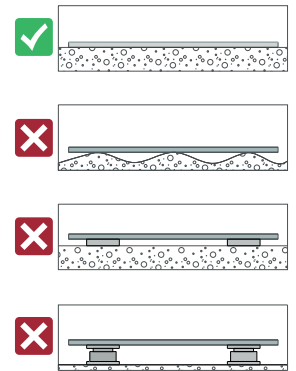
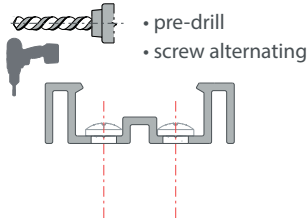
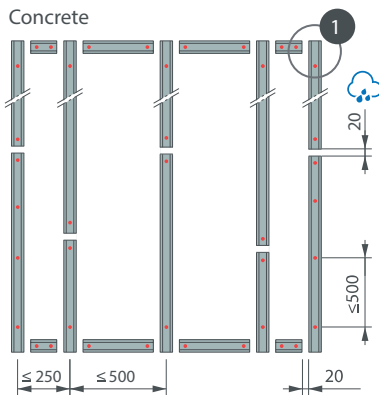
1 Subfloor | support | ondergrond | Untergrund



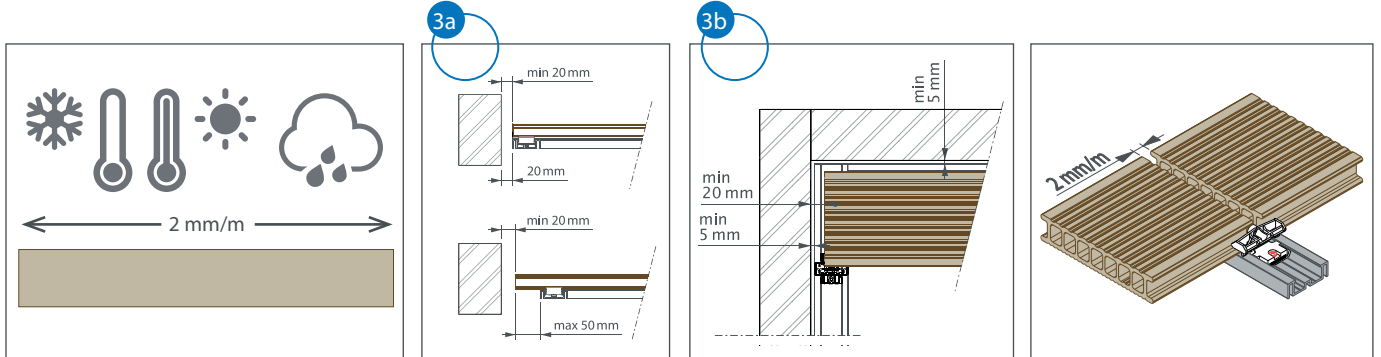
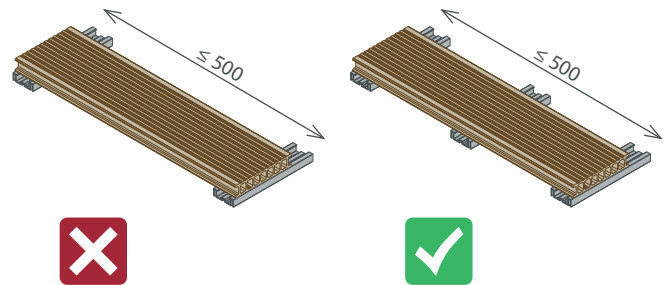
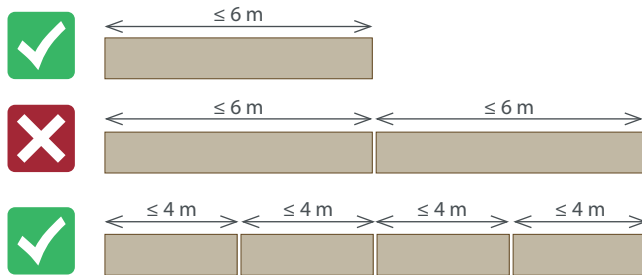
2 Substructure | soubassement | onderstructuur | Unterkonstruktion

Fixed

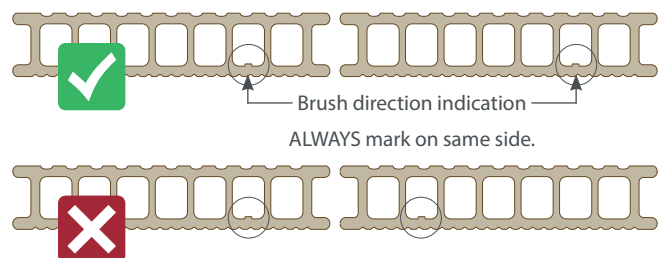
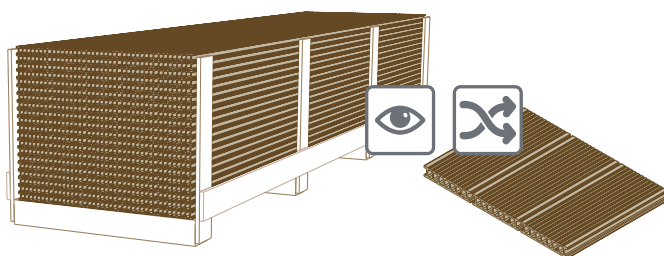
• Concrete

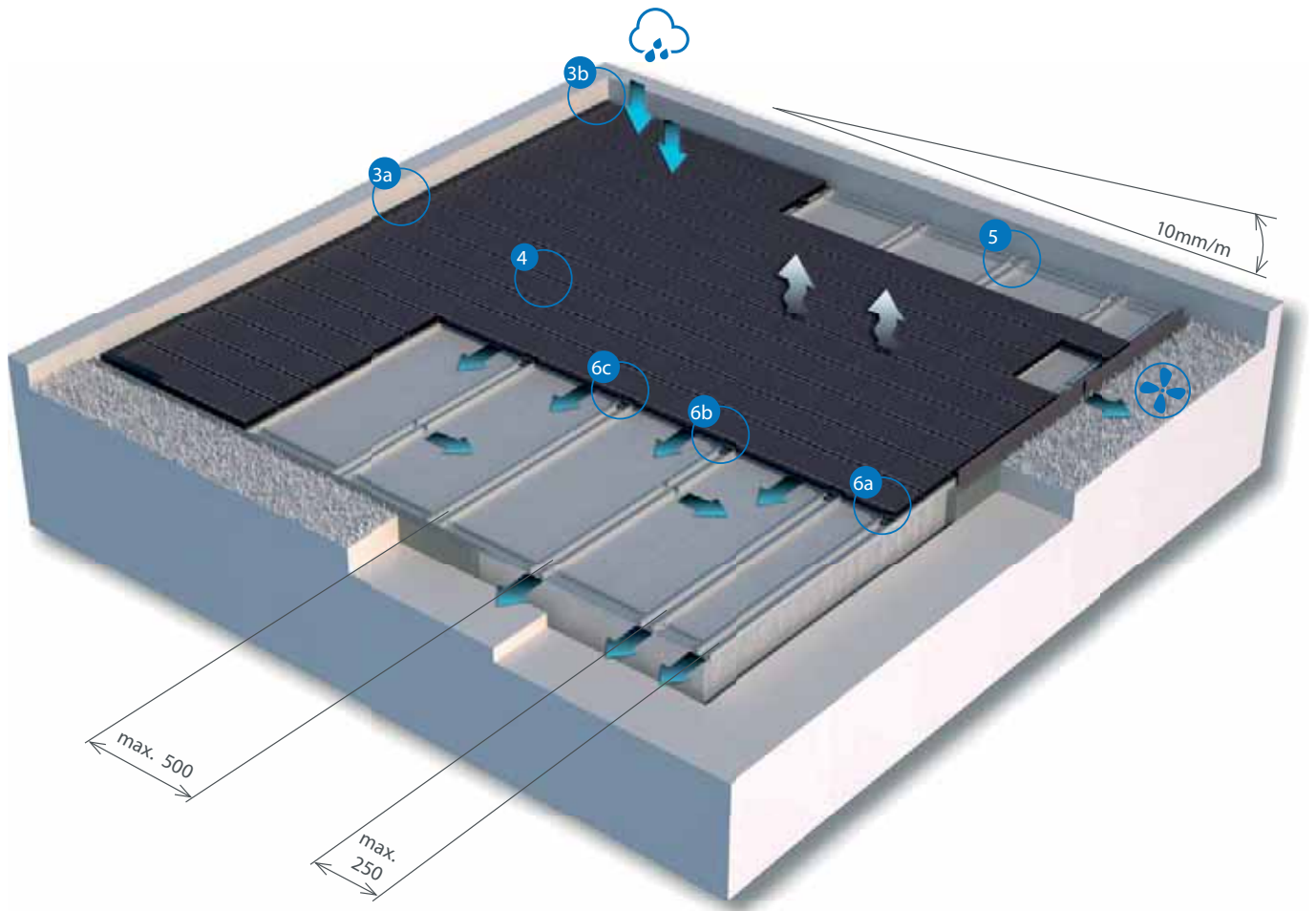


3 General rules | règles générales | algemene richtlijnen | Allgemeine Vorschriften

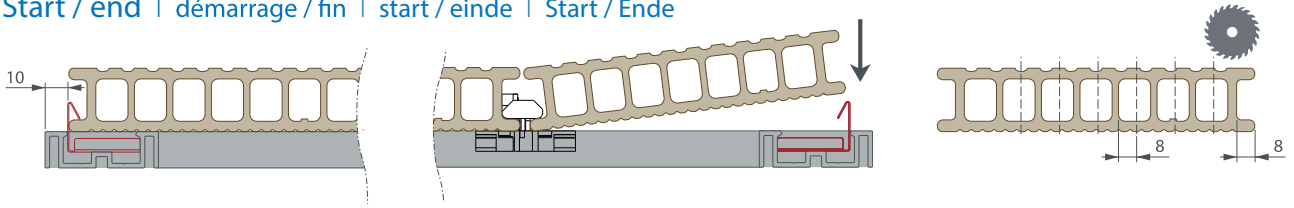


4 Visual aspect | aspect visuel | visueel aspect | visueller Aspekt



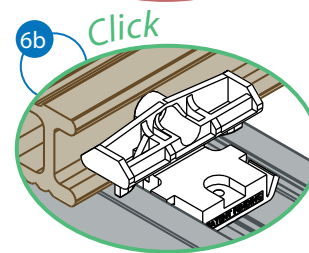
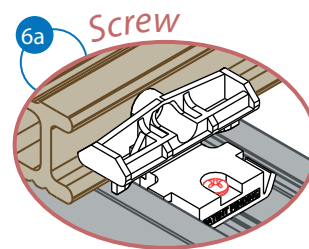
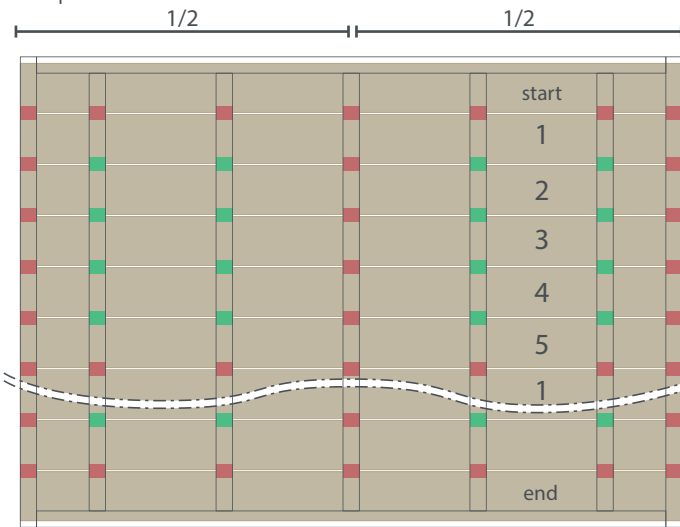


5 Start / end | démarrage / fin | start / einde | Start / Ende



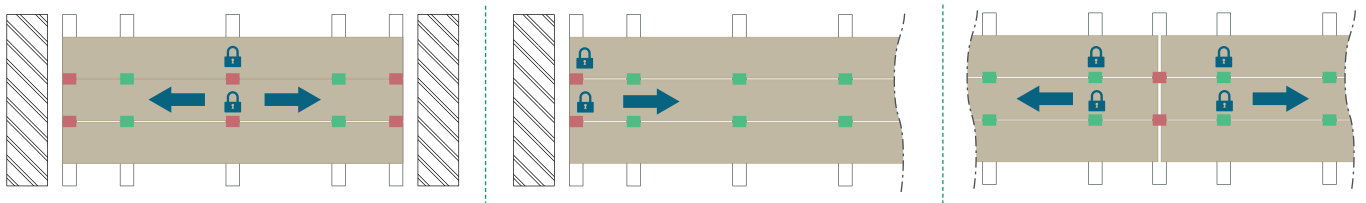
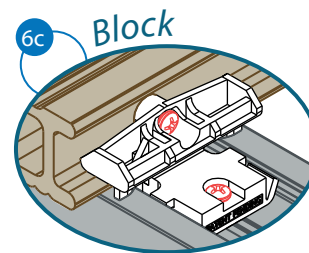
6 Fixation / blocking | fixation / blocage | vastmaken / blokkeren | Fixierung / Blockierung

Step 1: fixation

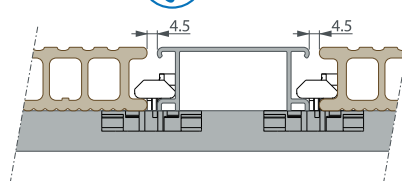
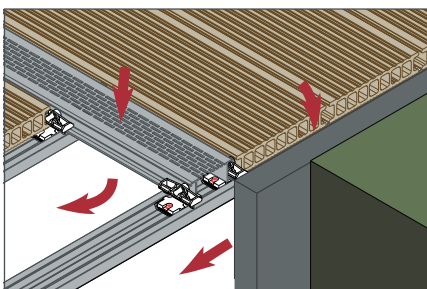


Step 2: blocking

- direction of expansion
- screw
- block
- click



7 Ventilation | ventilation | ventilatie | Belüftung

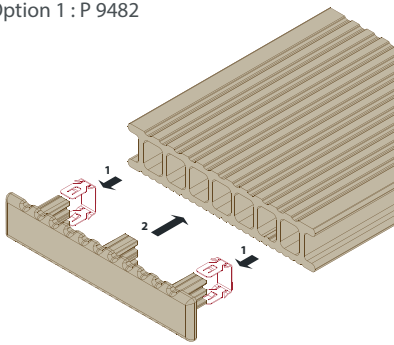


Optional

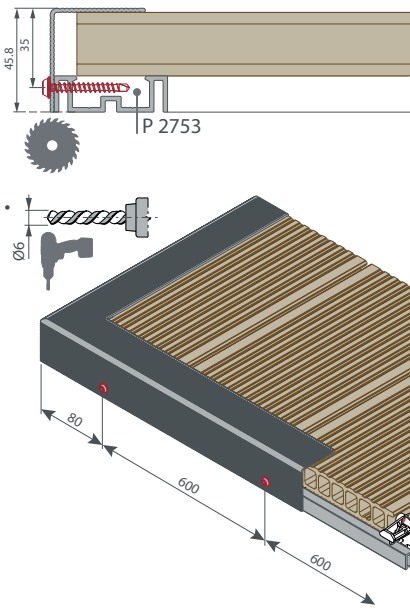


8 Finishing | finition | afwerking | Randabschluss

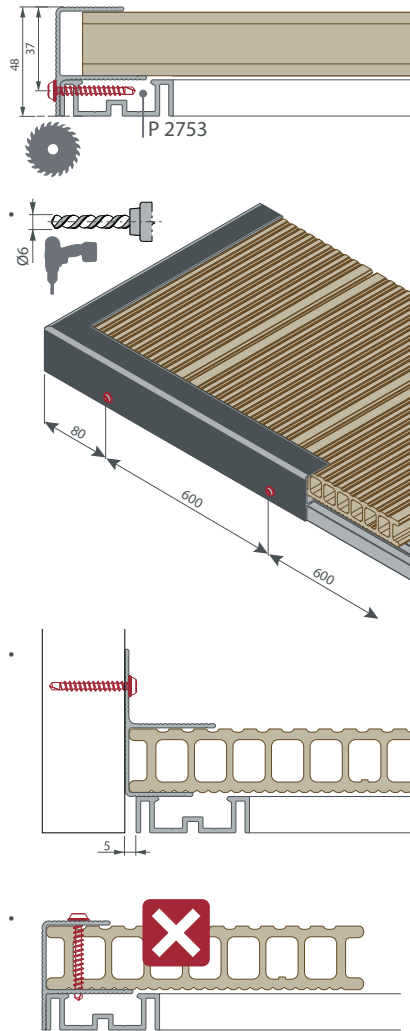
• Option 1 : P 9482



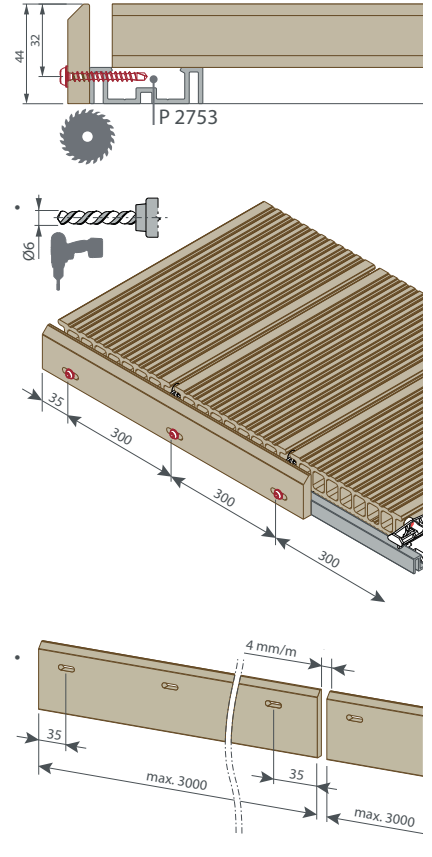
• Option 2 : P 9518



• Option 3 : P 9543



• Option 4 : P 9556





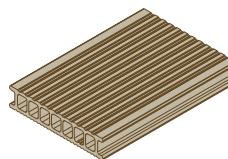
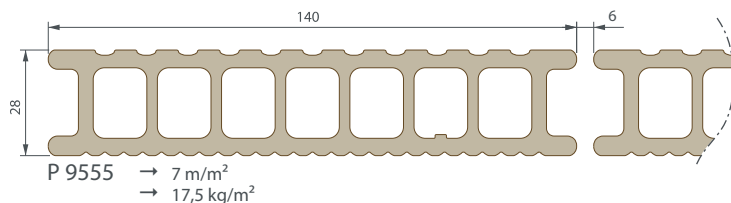
# Decking Group Quick guide



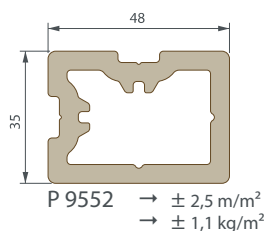
Building a sustainable home

P 9555 - P9552

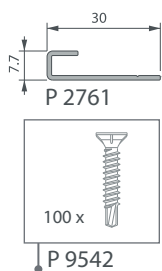
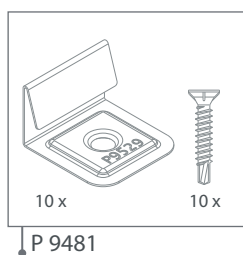
Outdoor living



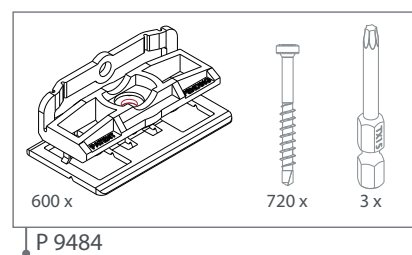
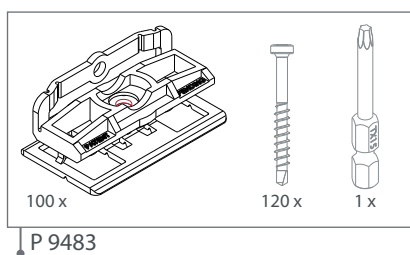
## Substructure



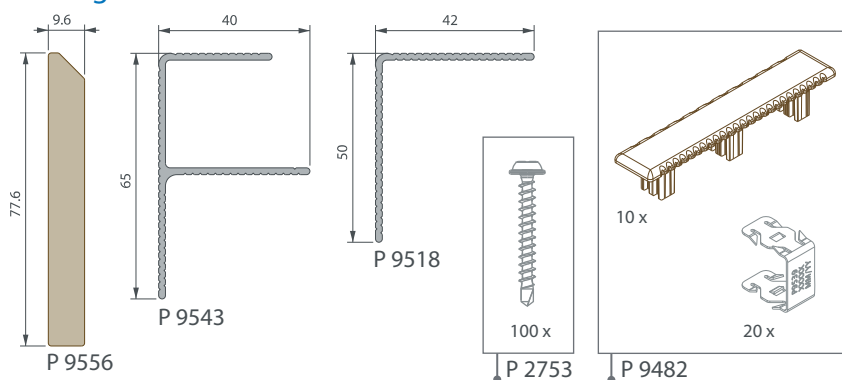
## Start/end



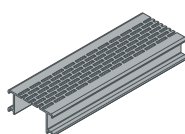
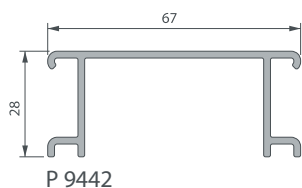
## Fixation



## Finishing



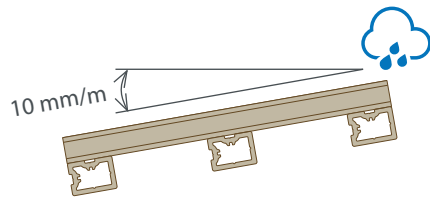
## Ventilation



Optional



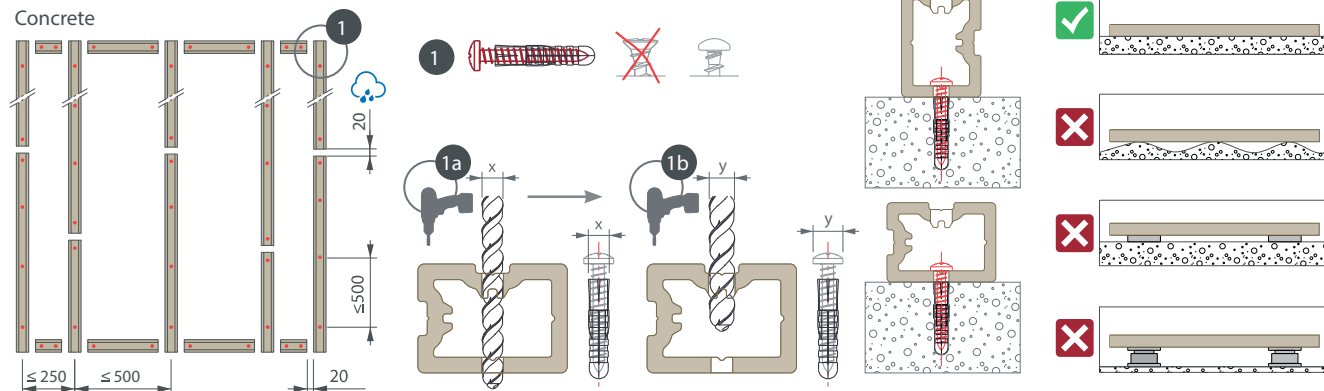
1 Subfloor | support | ondergrond | Untergrund



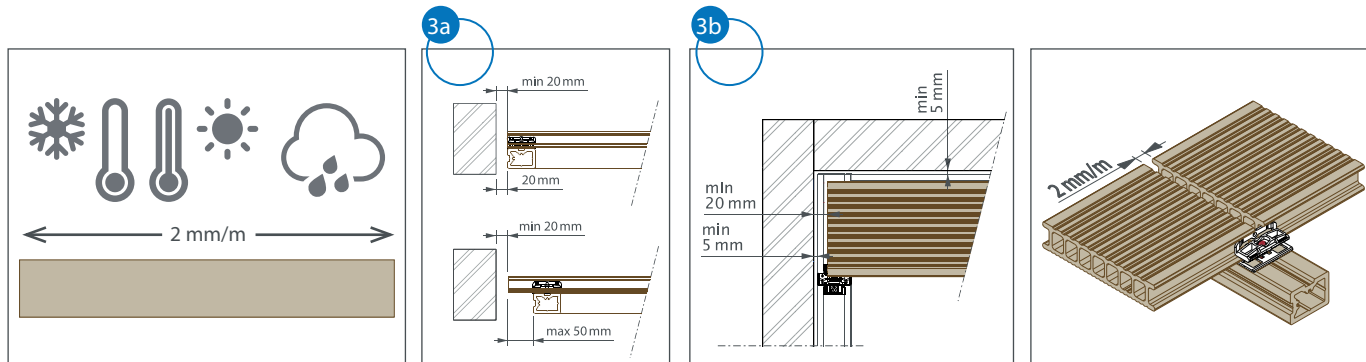
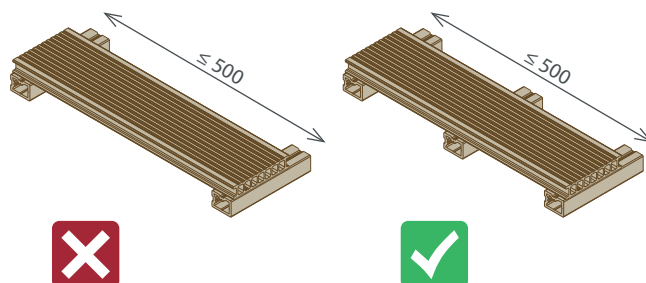
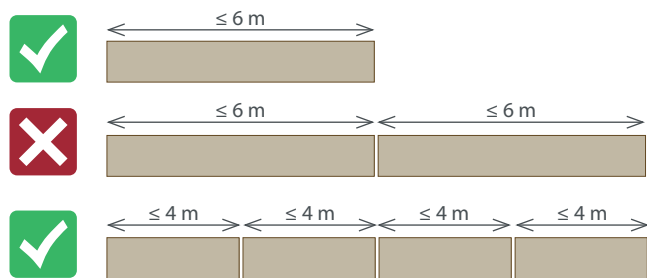
2 Substructure | soubassement | onderstructuur | Unterkonstruktion

Fixed

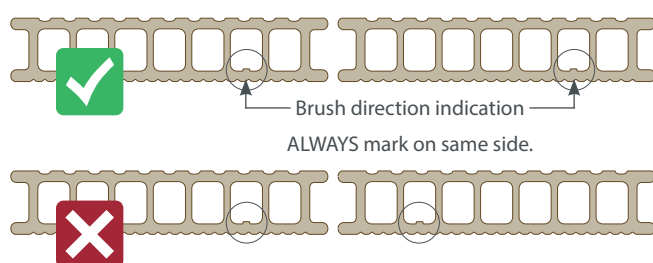
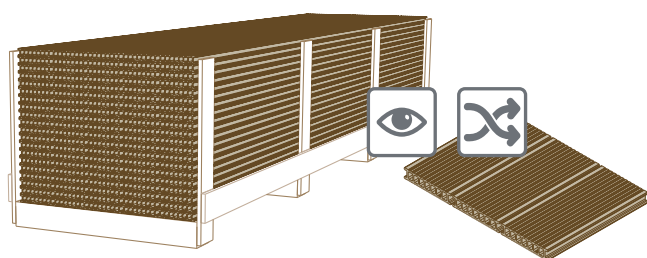
• Concrete

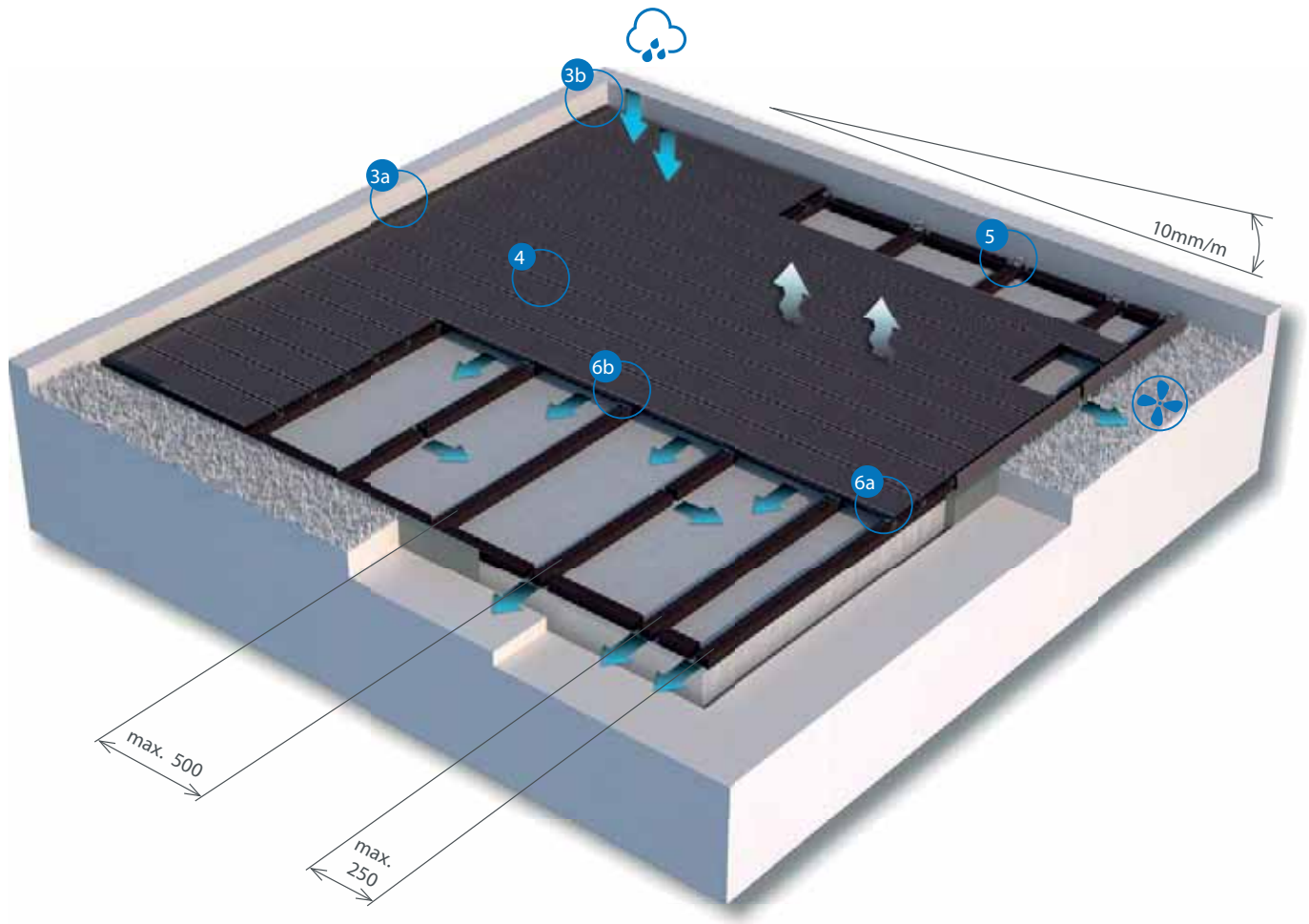


3 General rules | règles générales | algemene richtlijnen | Allgemeine Vorschriften

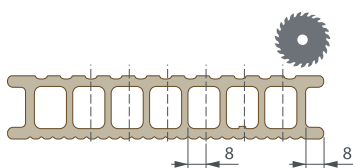
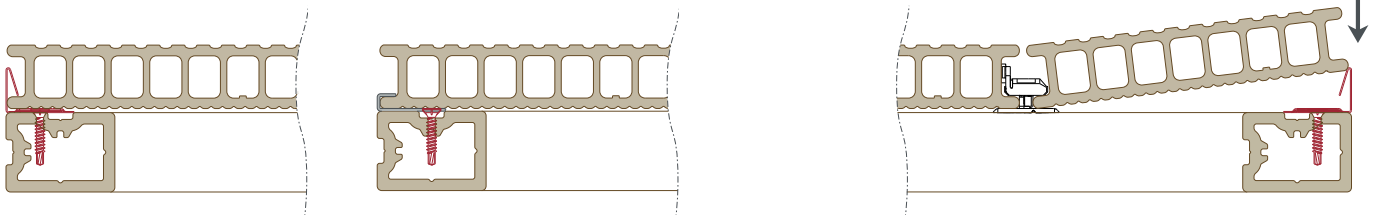


4 Visual aspect | aspect visuel | visueel aspect | visueller Aspekt



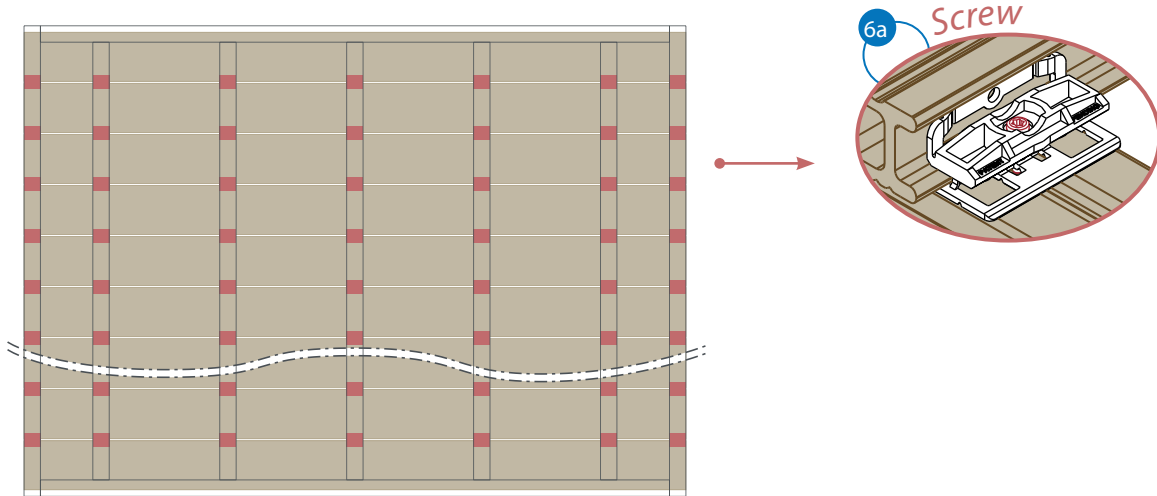


5 Start / end | démarrage / fin | start / einde | Start / Ende






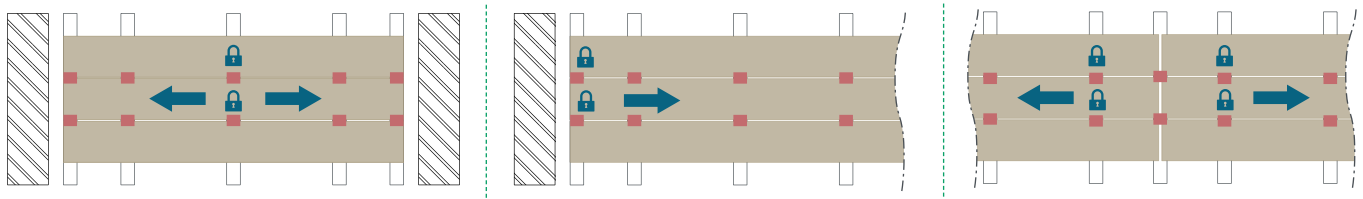
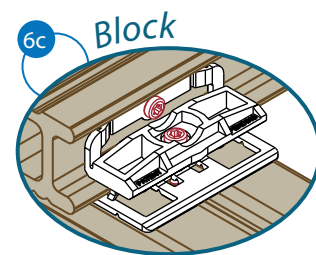
6 Fixation / blocking | fixation / blocage | vastmaken / blokkeren | Fixierung / Blockierung

Step 1: fixation

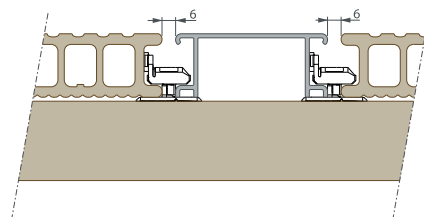
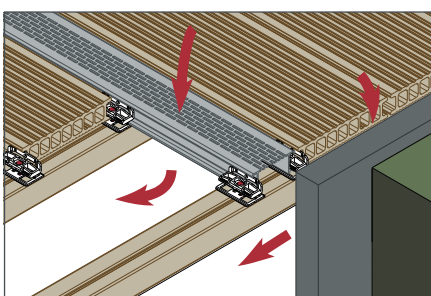


Step 2: blocking

-  direction of expansion
-  screw
-  block



7 Ventilation | ventilation | ventilatie | Belüftung

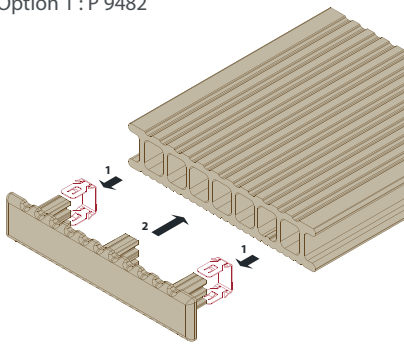


Optional

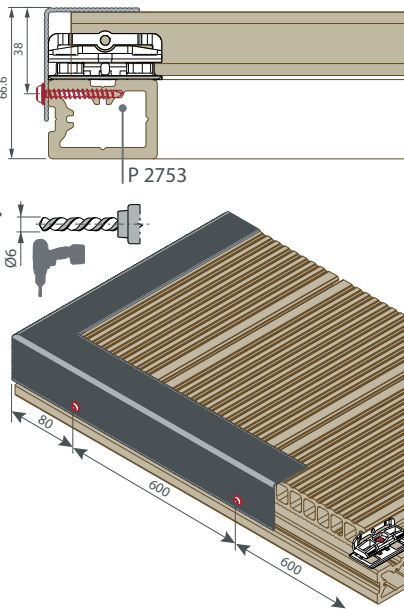


8 Finishing | finition | afwerking | Randabschluss

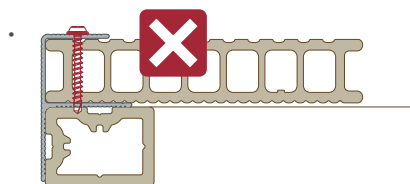
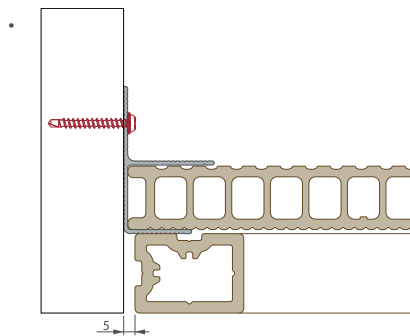
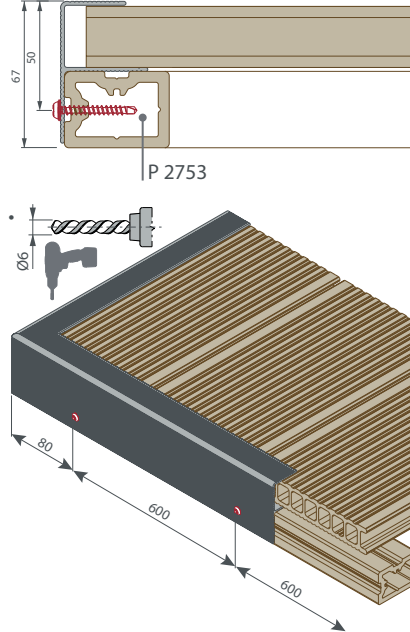
• Option 1 : P 9482



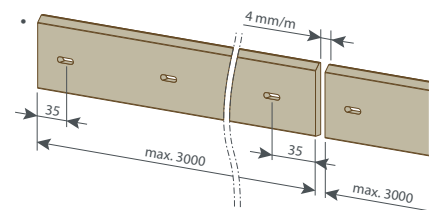
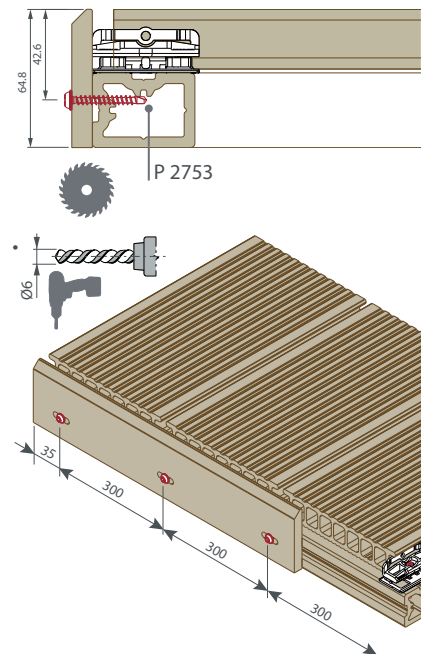
• Option 2 : P 9518



• Option 3 : P 9543



• Option 4 : P 9556



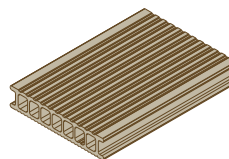
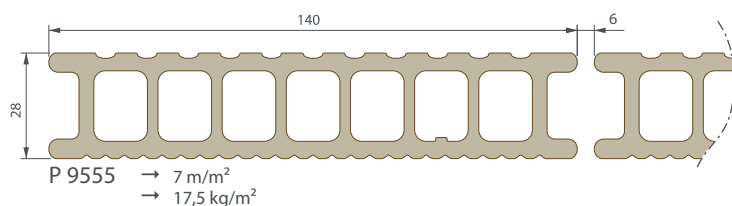
# Decking Group Quick guide



Building a sustainable home

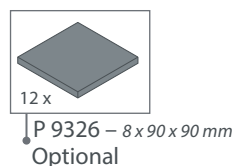
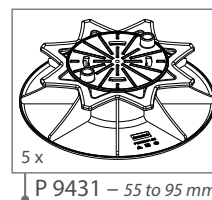
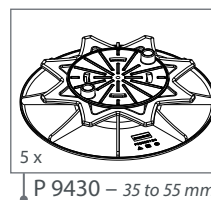
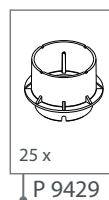
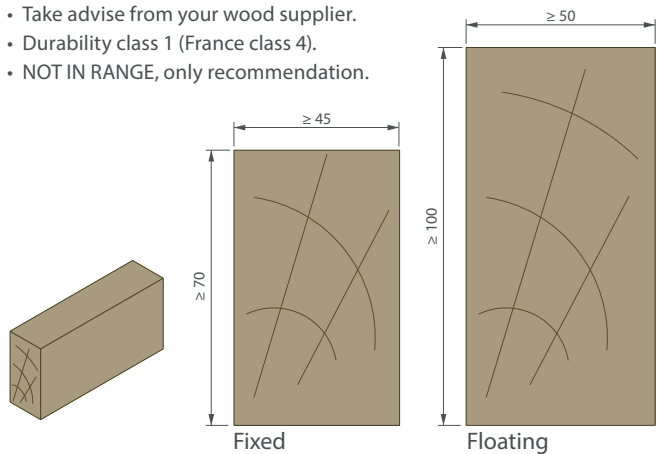
## P 9555 - wood

## Outdoor living

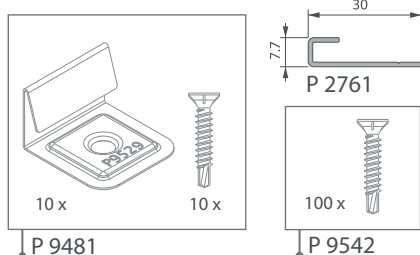


### Substructure

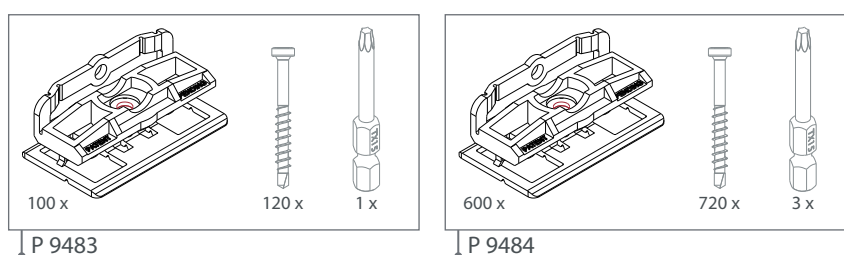
- Take advise from your wood supplier.
- Durability class 1 (France class 4).
- NOT IN RANGE, only recommendation.



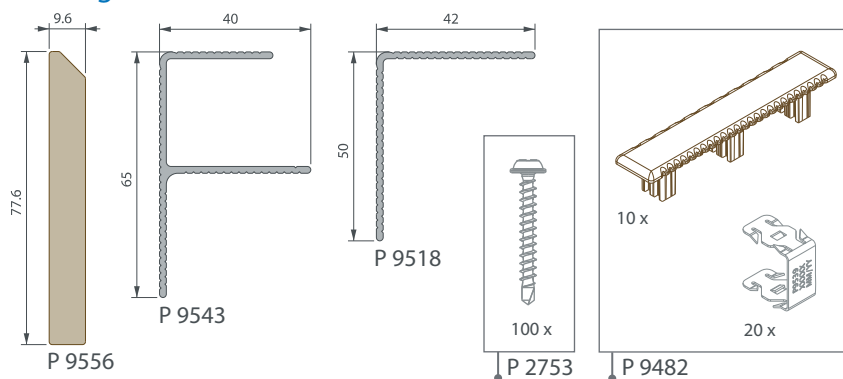
### Start/end



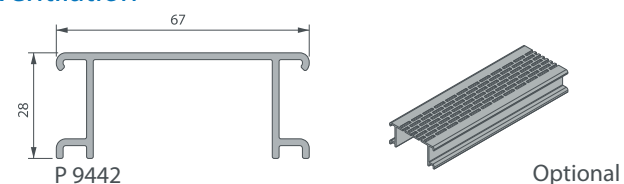
### Fixation



### Finishing

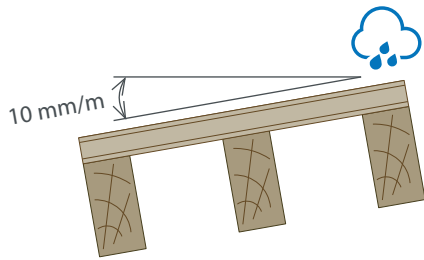


### Ventilation





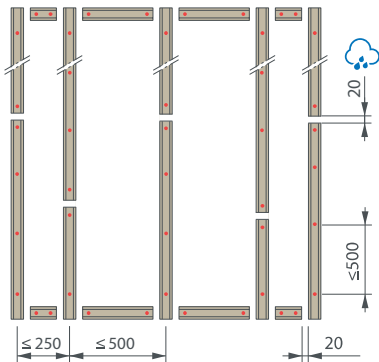
1 Subfloor | support | ondergrond | Untergrund



2 Substructure | soubassement | onderstructuur | Unterkonstruktion

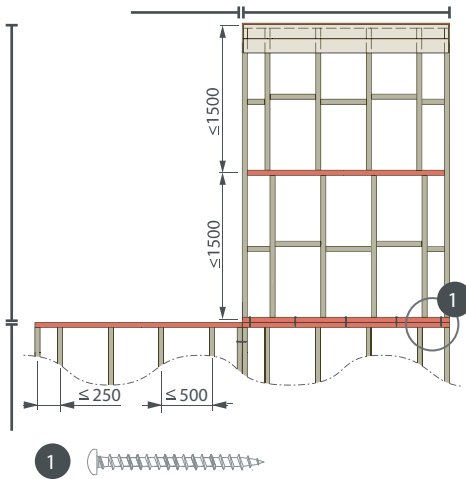
Fixed: min. 45 x 70 mm

- Concrete

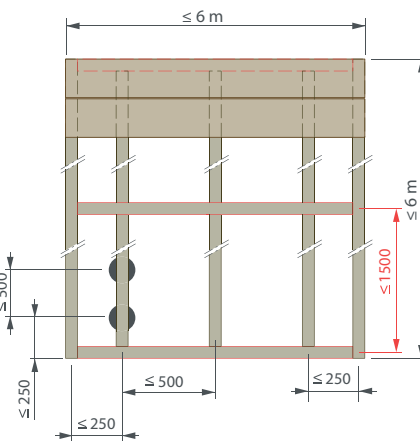


Floating: min. 50 x 100 mm

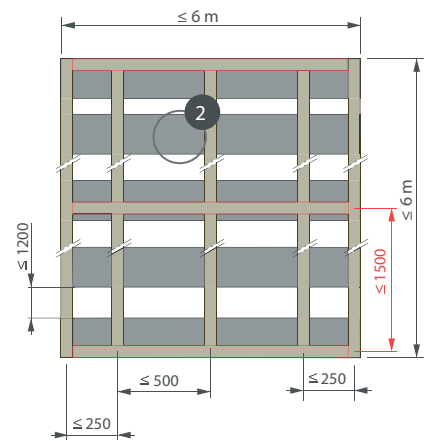
- Framework



- P 9430 - P 9431 / P 9326

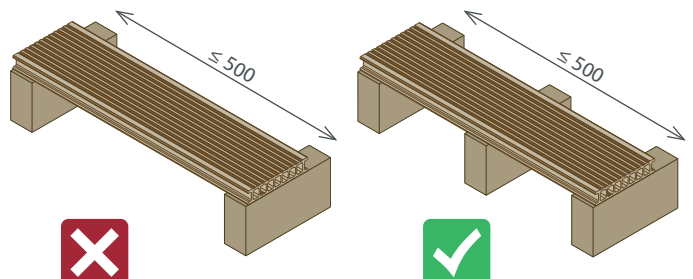
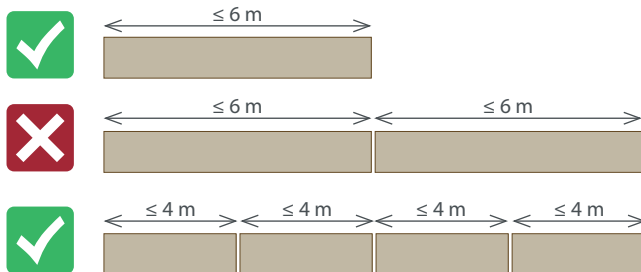


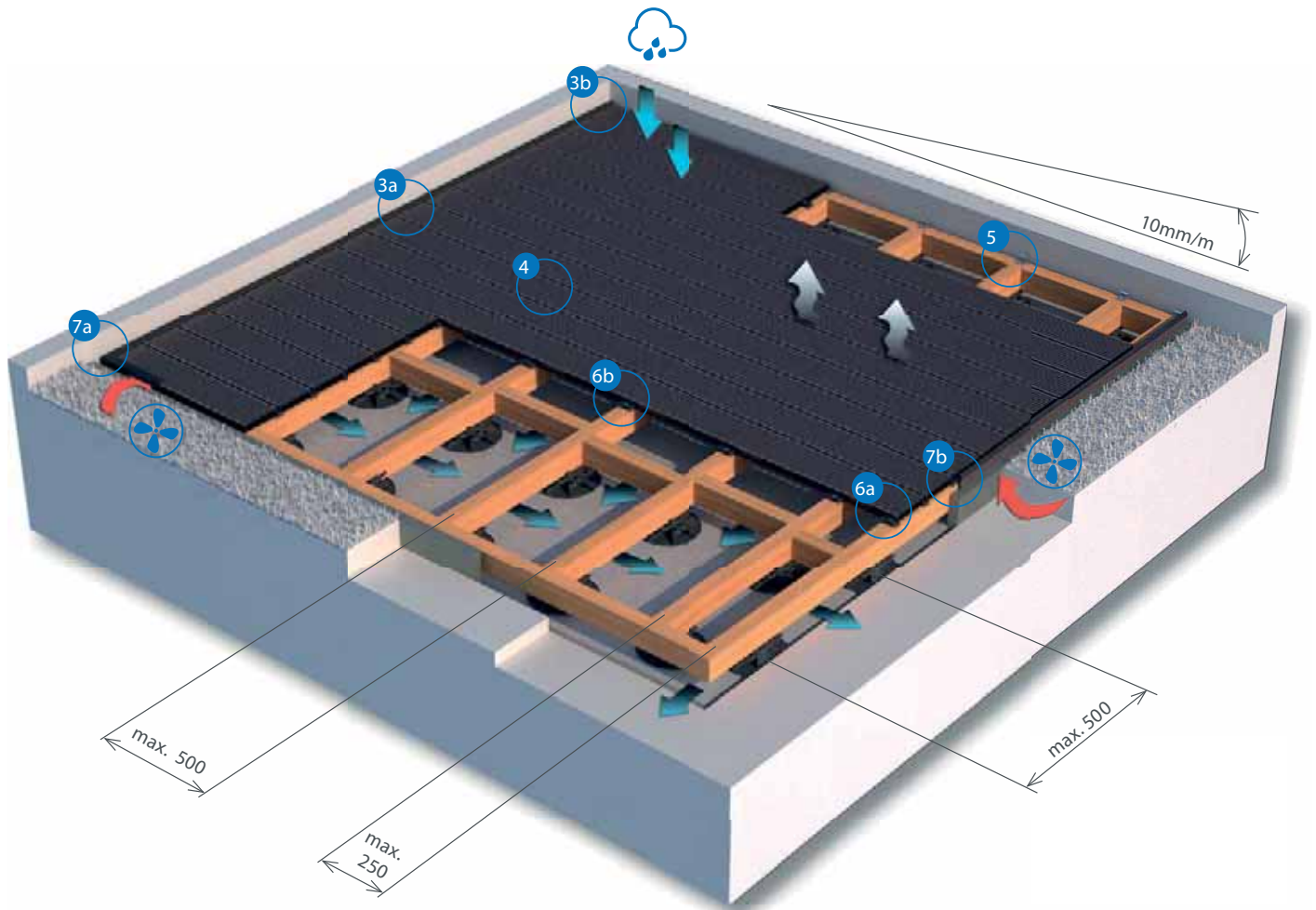
- Concrete tiles



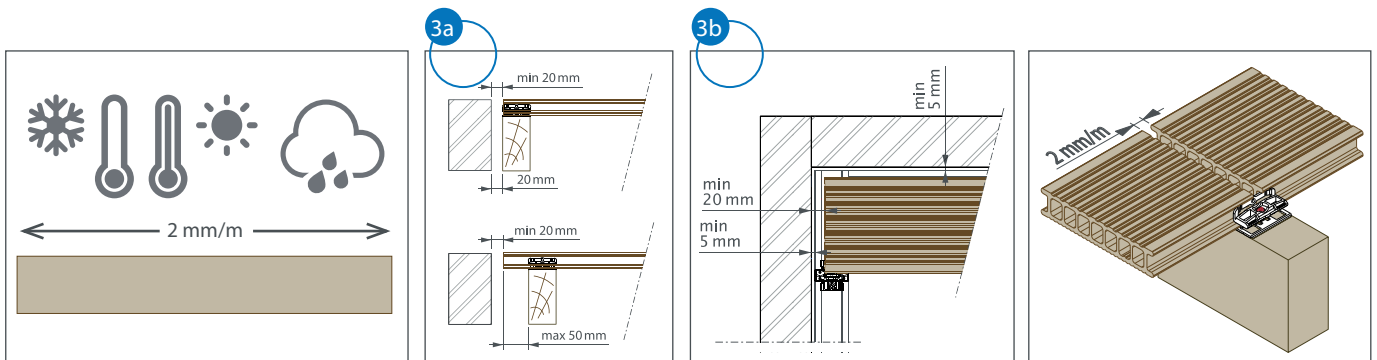
2 40 x 40 x 5 cm – 100 x 25 x 5 cm

3 General rules | règles générales | algemene richtlijnen | Allgemeine Vorschriften

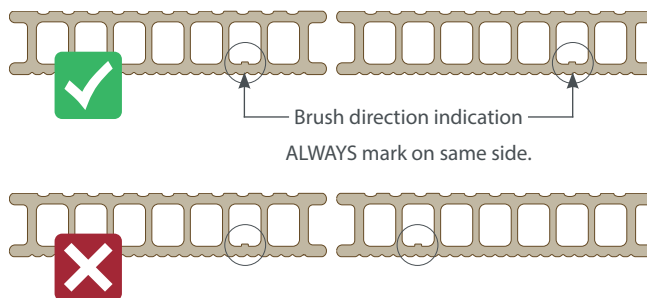
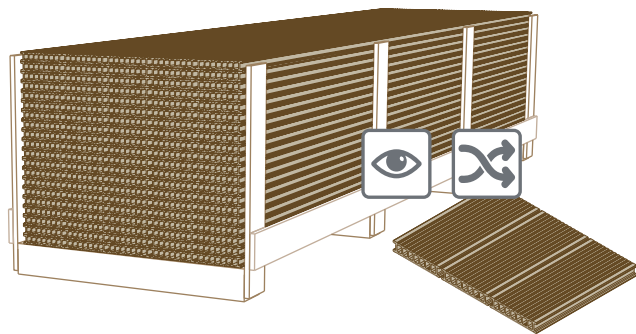




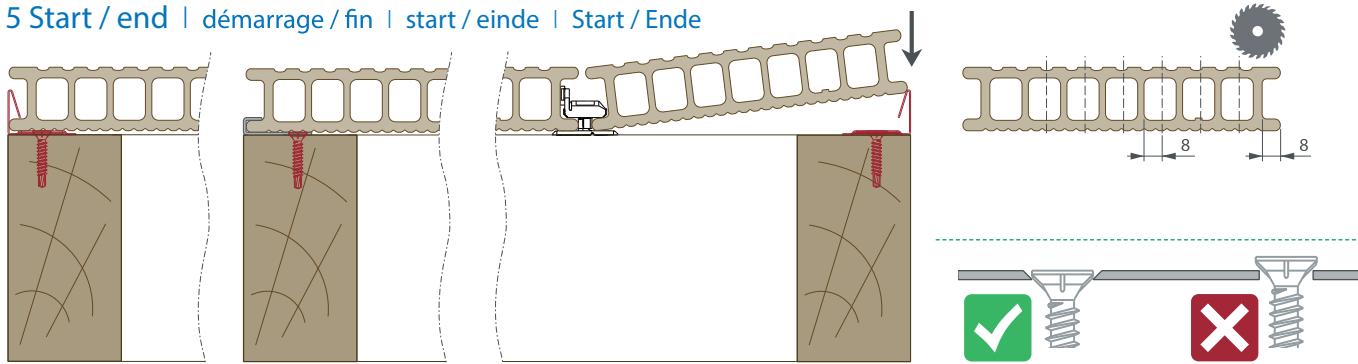
3 General rules | règles générales | algemene richtlijnen | Allgemeine Vorschriften



4 Visual aspect | aspect visuel | visueel aspect | visueller Aspekt

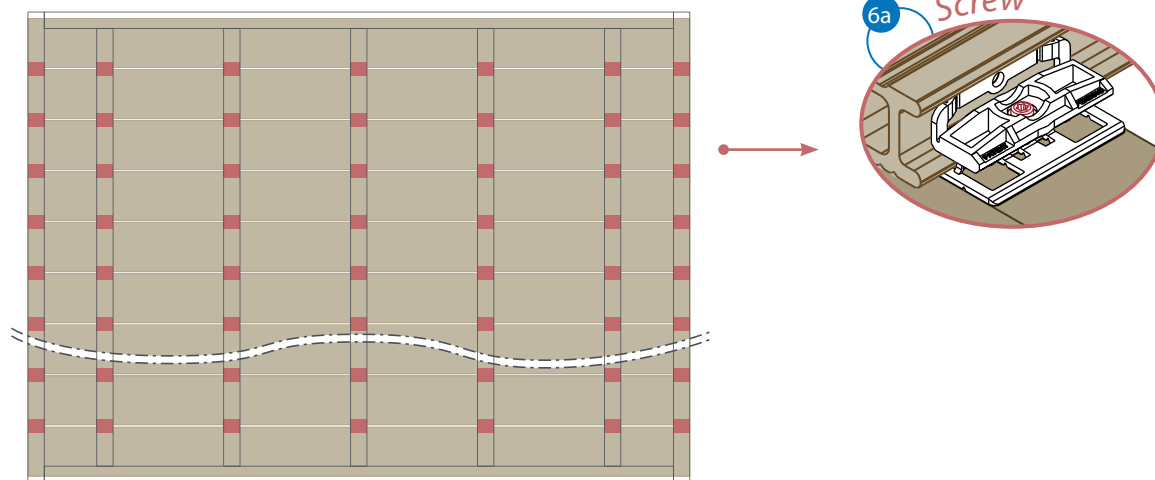


5 Start / end | démarrage / fin | start / einde | Start / Ende






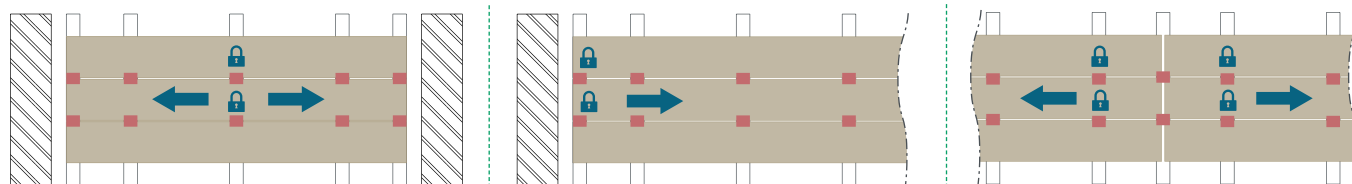
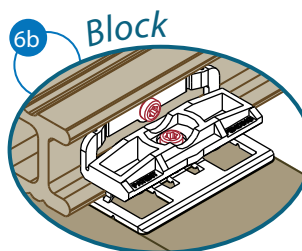
6 Fixation / blocking | fixation / blocage | vastmaken / blokkeren | Fixierung / Blockierung

Step 1: fixation

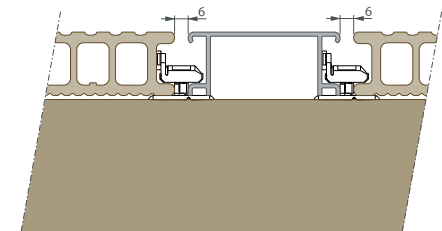
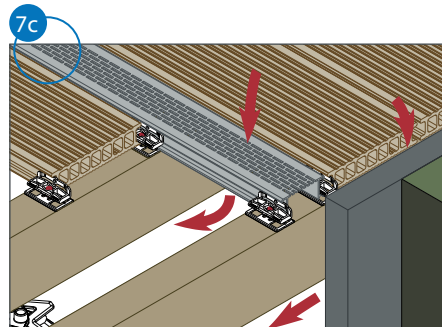
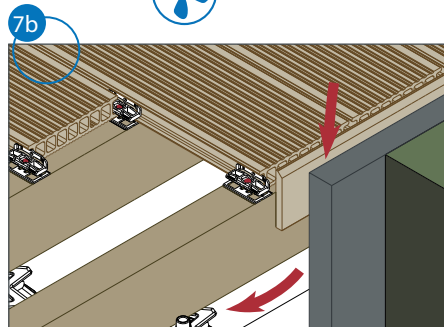
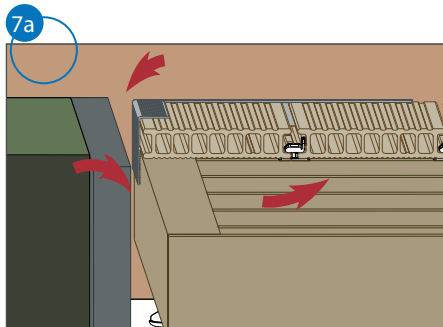


Step 2: blocking

-  direction of expansion
-  screw
-  block



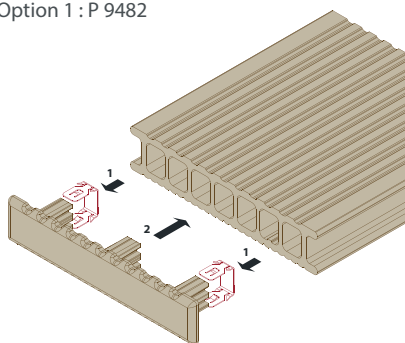
7 Ventilation | ventilation | ventilatie | Belüftung



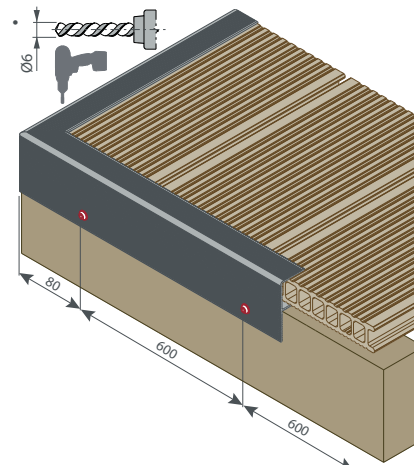
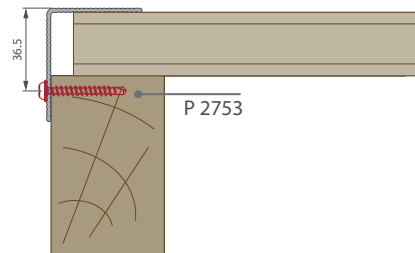
Optional

8 Finishing | finition | afwerking | Randabschluß

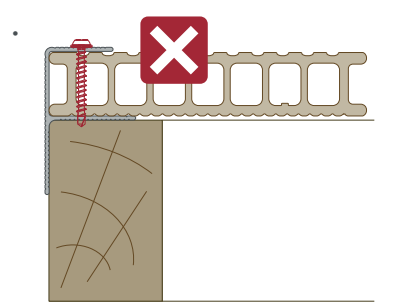
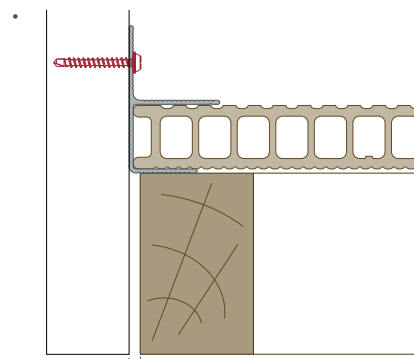
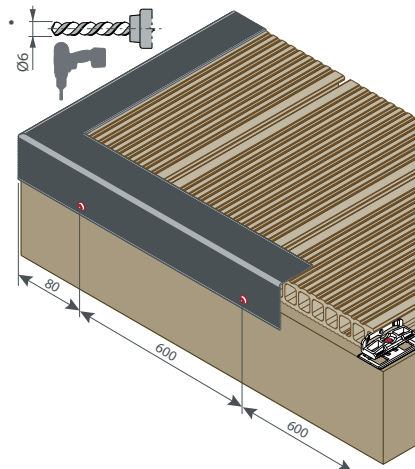
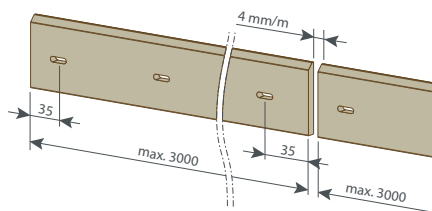
- Option 1 : P 9482



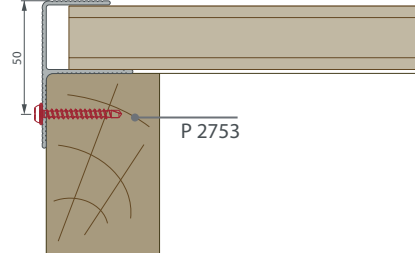
- Option 3 : P 9518



- Option 2 : P 9556



- Option 4 : P 9543



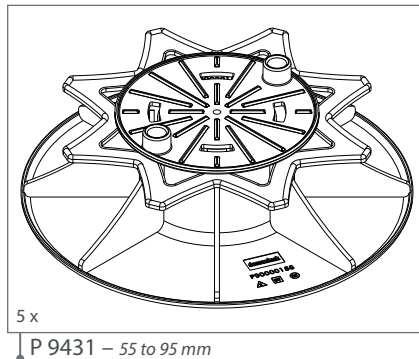
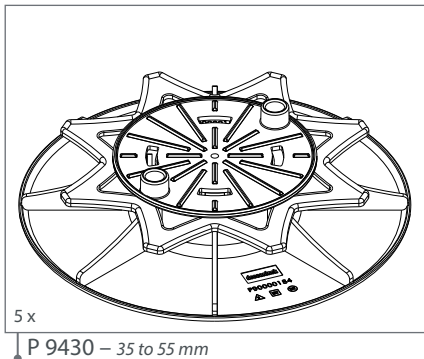
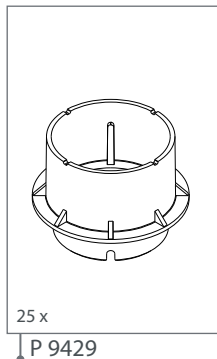
# Adjustable pedestal Group Quick guide



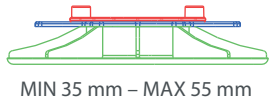
## Accessories

## Outdoor living

Adjustable pedestal decking | plot réglable pour terrasse | terrasverhoger | Justierfuß für Terrassen

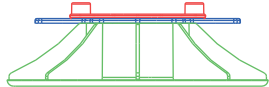


• P 9430



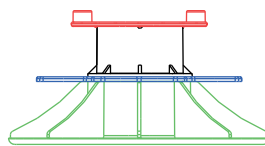
MIN 35 mm – MAX 55 mm

• P 9431

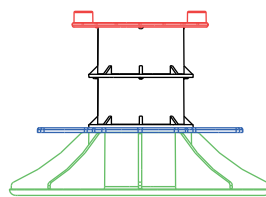


MIN 55 mm – MAX 95 mm

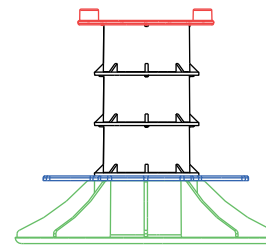
• P 9431 + P 9429



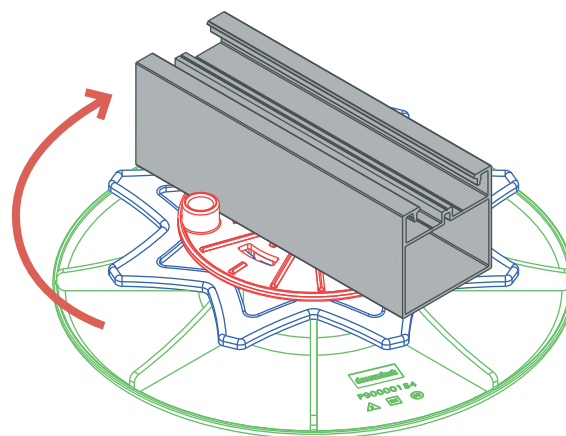
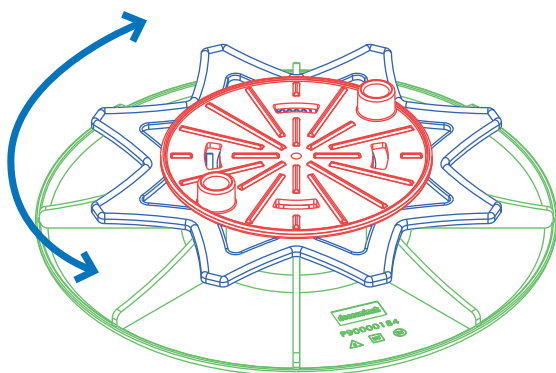
MIN 95 mm – MAX 135 mm



MIN 135 mm – MAX 175 mm

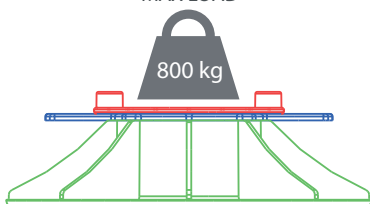


MIN 175 mm – MAX 215 mm



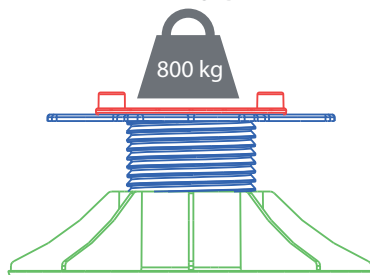
MAX LOAD

800 kg



MAX LOAD

800 kg



EN | Always check the maximum load capacity of the subfloor.

FR | Toujours vérifier la capacité de charge maximale du sol support.

NL | Controleer altijd het maximale draagvermogen van de ondergrond.

DE | Überprüfen Sie immer die maximale Tragfähigkeit des Untergrundes.





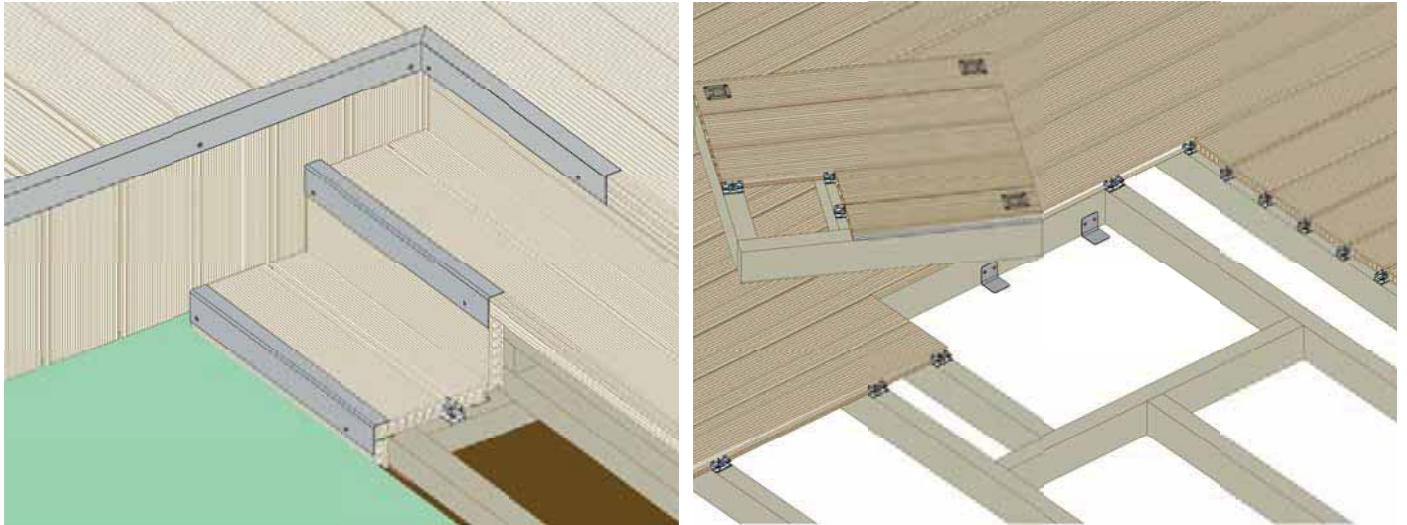
# Making Steps and Access Panel

## Making steps

Make the sub-structure as per the installation manual for a standard deck, minimum of three supporting beams, first and last beams set at 250mm where possible.

Use the F or L trim on the front edge of the steps and remember to allow for some expansion of the decking plank (Please refer to the latest installation manual for fitting guidance)

The aluminium trim gives protection to the edge of the decking planks and also ensures the steps are clearly visible. Fixings for the aluminium trim should be into the substructure and not directly through the decking plank.



## Access Panel

Make a frame to the required size as per the installation manual for a standard deck, minimum of three supporting beam, first and last beams set at 250mm where possible. There should be no overhang of decking planks on the sub-structure.

Ensure the width and depth of the hatch corresponds with the layout of the existing deck.

Create a frame in the sub-structure of the deck providing additional beams and supports and allow an adequate expansion gap between hatch and the existing deck.

Steel brackets (Not supplied) are then fixed to the under structure on which the hatch can rest. Ensure the steel brackets are strong enough to withstand the weight of the panel and pedestrian use.



# Decking

## 4 Maintenance



### 1. Cleaning and care

08/2016 - V5 - published work© 2016 - Deeplas

Deeplas composed this manual with the utmost care. Nevertheless, data contained in this manual might be outdated, incomplete, and/or inaccurate. No rights, claims, commitments or guarantees can be derived from the presented information. The texts, photographs, logos, pictures and brands (among which Deeplas, Linktrusion and Twinson included) are covered by intellectual property rights. They are exclusive property of Deeplas. Nothing included in this publication can, fully or partially, in any way be reproduced without prior permission.

The available profiles and accessories may vary depending on your location. To find out which profiles and accessories are available in your area, see [www.deeplas.co.uk](http://www.deeplas.co.uk) or contact a local dealer.

## 4.1 Cleaning and care

The deck should be cleaned on a regular basis with diluted liquid bleach solution, ratio according to manufacturer guidelines. This should help prevent the build-up of any moss-like deposits.

Twinson material has been extensively tested on a large number of products that it may come into contact with during its application. There are 3 categories:

- Is **resistant to**: This product type leaves no permanent mark on the material or the stain disappears in a short space of time after outside exposure. (fig. 1)
- Is **less resistant to**: This product type leaves a light mark on the material. (fig. 2)
- Is **not resistant to**: This product type leaves marks on the material that remains clearly visible. (fig. 3)

RESISTANT TO
Floor cleaning soap + water
Concentrated bleach solution (chlorinated water)
Concentrated ammonia
Road Salt (for icy roads)
Weed killer
Household product used to clean windows (e.g. Instanet)
White spirit
Chlorinated water used in swimming pools
Dish washing detergents (e.g. Dreft)
Coffee
Fruit juice
Coca cola
Drinking chocolate
Chalk
Isobetadine
Silicone oil (= a silicone based lubricant)
Fuel oil (diesel & petrol)
Lubricants based on petrol derived products (liquid & solid)
Cement
Synthetic thinner
Graffiti cleaner

fig.1: Twinson is resistant to

LESS RESISTANT TO
Butter
Milk
Sun cream
Vinega
Red wine
Ketchup
Candle wax
Cement cleaner

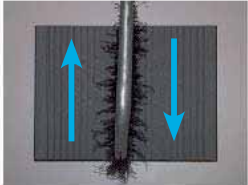
fig.2: Twinson is less resistant to

NOT RESISTANT TO
Silicone (= a silicone based sealant)
Acrylic paint
Synthetic paint
Shoe polish
Felt-tip
Deceuninck cleanup
Lipstick
PVC glue
Strong acids
Strong bases
Acetone

fig.3: Twinson is not resistant to

Consult the chemical resistance and cleanability document if marks have not disappeared or dried immediately.

For each generic name there are different products that demand special cleaning instructions. (fig. 4)

GENERIC NAME	PRODUCT	SPECIAL CLEANING INSTRUCTIONS if not removed immediately (*)
Vegetable, animal and other fats & oils	Butter	Spray O-CLEAN on the mark and rub if desired. Leave to act for a few minutes, then rinse with large quantities of water.
	Milk	
	Yoghurt	
	Olive oil	
	Salad oil	
	Fondue oil	
	Mayonnaise	
	Cocktail sauce	
	Frying oil	
	Sun cream	
	Lubricant	
	Motor oil	
	Petrol	
	Heating oil	
...		
Burns	Cigarettes	Lightly sand surfaces length wise with fine sandpaper, a steel brush or steel wool (**) 
	Charcoal	
Stubborn food residues	Ketchup	Scrub well with a diluted bleach solution, then rinse with large quantities of water. The use of a pressure washer (***) is recommended to remove stubborn residues.
	Tomato puree	
	Spaghetti sauce	
	Red wine	
	Fruit	
	Instant soup	
...		
Sugar-containing soft drinks	Coca cola	Scrub well with a diluted bleach solution, then rinse with large quantities of water. The use of a pressure washer (***) is recommended to remove stubborn residues.
	Fruit juice	
	Soft drinks	
	...	
Hot drinks	Coffee	Scrub well with a diluted bleach solution, then rinse with large quantities of water. The use of a pressure washer (***) is recommended to remove stubborn residues.
	Tea	
	...	

(\*) If certain marks have not been removed immediately for any reason, they may dry on the surface. They typically fade or disappear after exposure to outside conditions (sun and water).

(\*\*) Sand in the direction of the grooves to prevent unnecessary damage to the surface. By removing the upper layer the original colour as established at installation is acquired. This minor difference will be rectified after no more than 12 weeks by which time the colour will be uniform.

(\*\*\*) Pressure washer (max 100 bar) combined where needed with a mild cleaning product. Always use the water jet in the direction of the grooves, avoiding any turning movements.  
Note: This must be set on single stream setting and not on multi stream.

GENERIC NAME	PRODUCT	SPECIAL CLEANING INSTRUCTIONS if not removed immediately (*)
General cleaning products	Floor cleaning soap	
	Bleach solution	
	...	
Special cleaning products	Cement cleaner	Scrub well with a diluted bleach solution, then rinse with large quantities of water.
	Deceuninck cleanup	Lightly sand surfaces with fine sandpaper, a steel brush or steel wool (**).
	Graffiti cleaner	
	O-Clean	
Organic solvents	Acetone	Lightly sand surfaces with fine sandpaper, a steel brush or steel wool (**).
	MeCl	
	MEK	
	Trichloroethylen	
	Isopropanol	
	Tetrahydrofuran	
	Diethyl ether	
	...	
Acids	Sulphuric acid	Lightly sand surfaces with fine sandpaper, a steel brush or steel wool (**).
	Nitric acid	
Bases	Caustic soda	Lightly sand surfaces with fine sandpaper, a steel brush or steel wool (**).
	Ammonia	
Paint	Water-based	Remove paint with a filling knife and light sand surfaces with fine sandpaper, a steel brush or steel wool (**).
	Synthetic	
Hardened materials	Silicone	Repeated treatment with O-CLEAN. If this treatment is unsuccessful, remove material with a filling knife and lightly sand surfaces with fine sandpaper, a steel brush or steel wool (**).
	Glue	
	Candle wax	

fig.4: Cleanability document.

- (\*) If certain marks have not been removed immediately for any reason, they may dry on the surface. They typically fade or disappear after exposure to outside conditions (sun and water).
- (\*\*) Sand in the direction of the grooves to prevent unnecessary damage to the surface. By removing the upper layer the original colour as established at installation is acquired. This minor difference will be rectified after no more than 12 weeks by which time the colour will be uniform.
- (\*\*\*) Pressure washer (max 100 bar) combined where needed with a mild cleaning product. Always use the water jet in the direction of the grooves, avoiding any turning movements.  
Note: This must be set on single stream setting and not on multi stream.

# Decking

## 5 Replacement



1. P 9483 or P 9484 (clip P 9540)
2. P 9486 (clip P 9528)

08/2016 - V5 - published work© 2016 - Deeplas

Deeplas composed this manual with the utmost care. Nevertheless, data contained in this manual might be outdated, incomplete, and/or inaccurate. No rights, claims, commitments or guarantees can be derived from the presented information. The texts, photographs, logos, pictures and brands (among which Deeplas, Linktrusion and Twinson included) are covered by intellectual property rights. They are exclusive property of Deeplas. Nothing included in this publication can, fully or partially, in any way be reproduced without prior permission.

The available profiles and accessories may vary depending on your location. To find out which profiles and accessories are available in your area, see [www.deeplas.co.uk](http://www.deeplas.co.uk) or contact a local dealer.

After replacing a plank, the Decking planks need to acclimatise again, this means there will be a colour difference initially. You can accelerate the weathering process by regularly adding moisture to the new plank using water. The difference in colour between the new and the old planks will converge much faster.

## 5.1 P 9486

### Sequence for plank removal / replacement.

1. Cut the Decking plank to be replaced into two pieces along its length so it can be easily released. (fig. 1-2)
2. Place the new **Decking** plank in its final resting position. Now shift the plank 60 mm in the direction of the adjacent planks. Mark the position of the hook of the P 9528 clip. The marking should be on one side of the Decking plank on the lower lip or flange. Remove the new **Decking** plank and cut away the lip of the new plank where you have marked so the new Decking plank can slide over the hook of the P 9528 clip. (fig. 3-4)
3. Lay the **Decking** plank flat by lining up the saw cuts with the hooks of the P 9528 clips. Finally shift the Decking plank 60 mm to the correct position. (fig. 5)

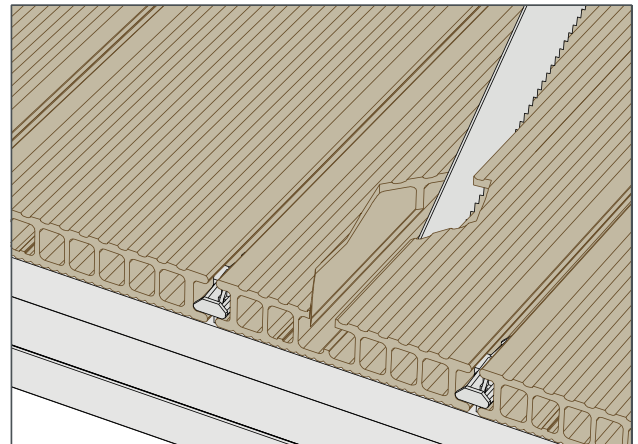


fig.1

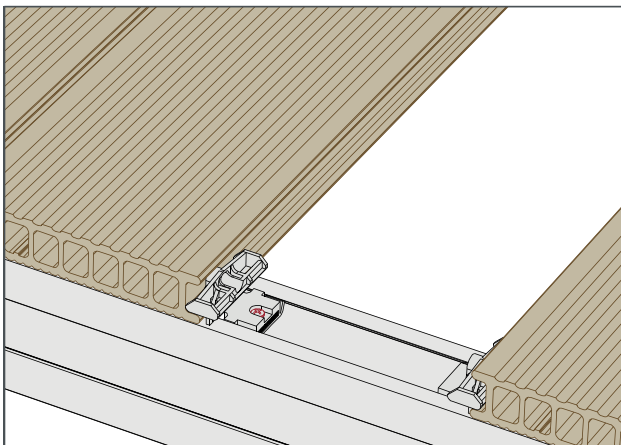


fig.2

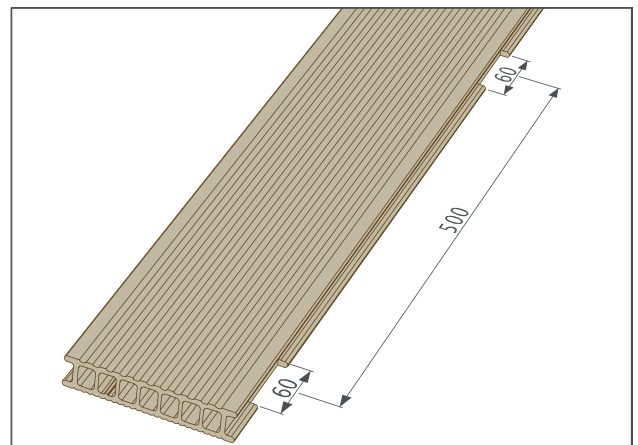


fig.3

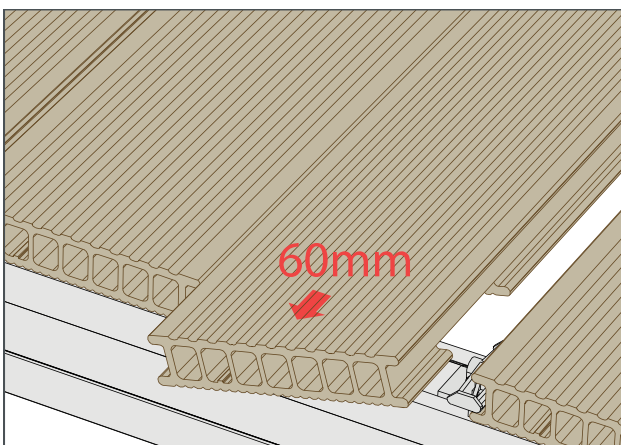


fig.4

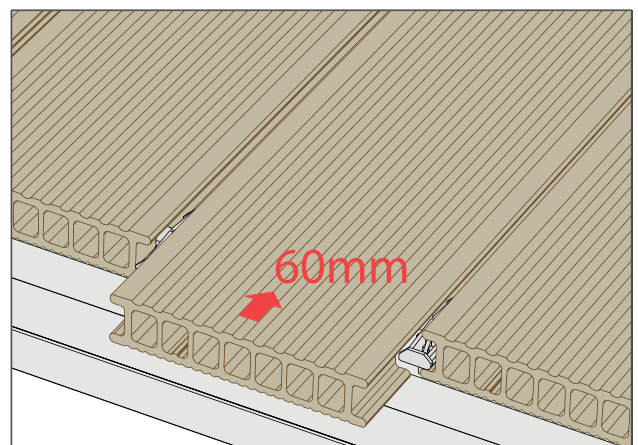


fig.5



## 5.2 P 9483 or P 9484

### Sequence for plank removal / replacement.

1. To replace a plank, unscrew the clips P 9540 on every support beam next to the plank that needs to be replaced. (fig. 1)
2. Release the plank that needs to be replaced. (fig. 2)
3. Place the new **Decking** plank in the clips. (fig. 3)
4. Place the **Decking** plank in its final position. (fig. 4)
5. Push the plank in its proper position and screw every clips. (fig. 5-6)

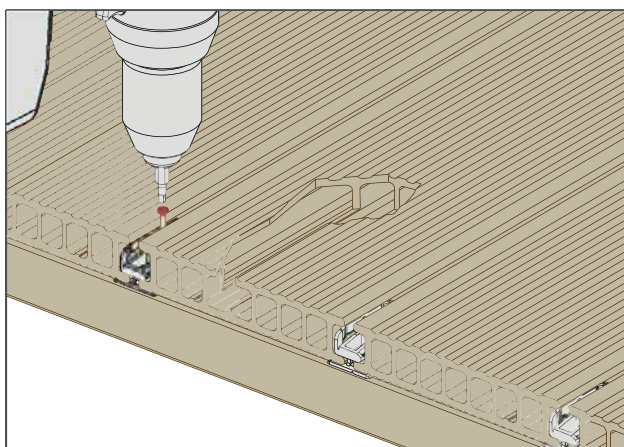


fig. 1

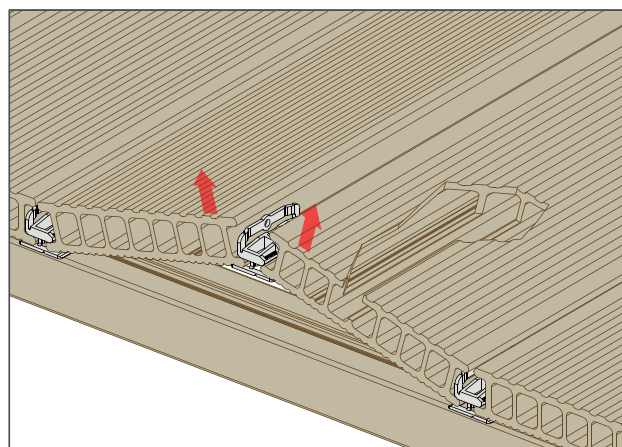


fig. 2

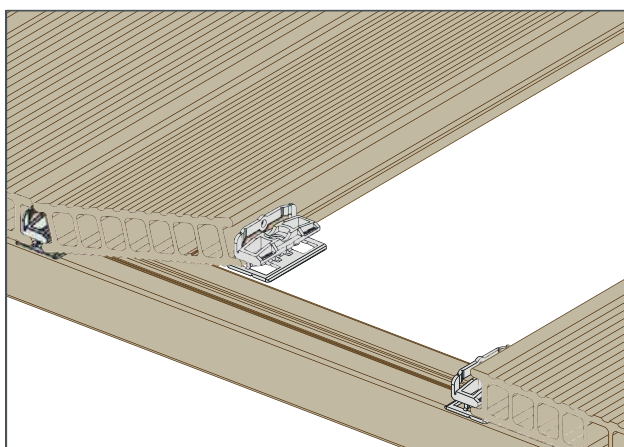


fig. 3

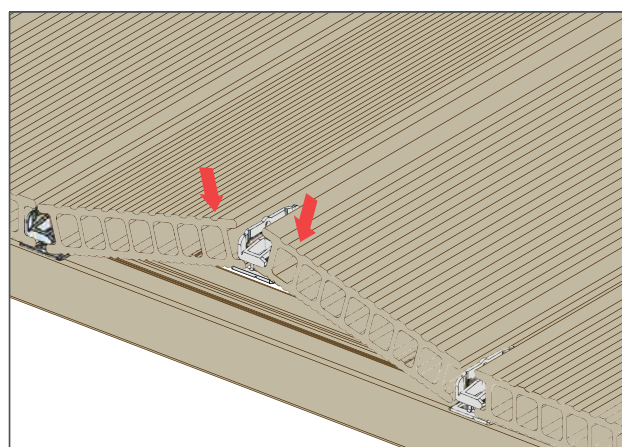


fig. 4

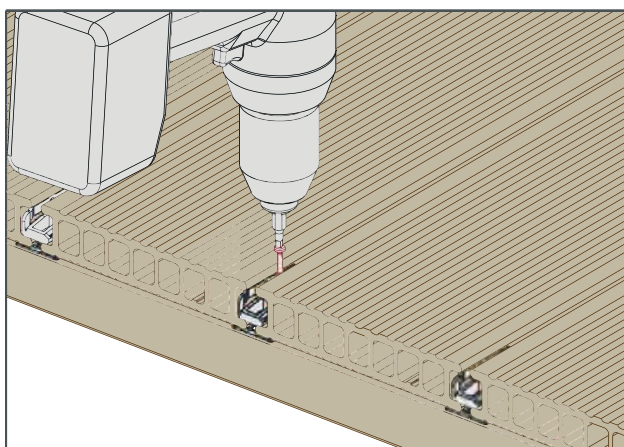


fig. 5

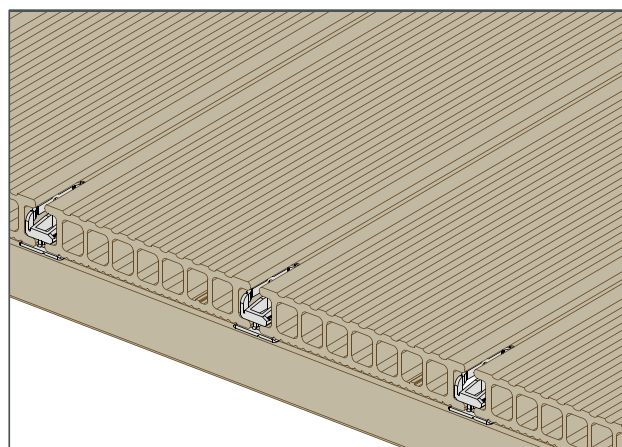


fig. 6

YOUR DEEPLAS PARTNER

