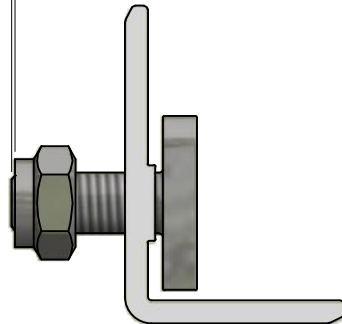
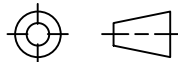


Voormontage bout ±2mm door de borging van de moer.



Item	QTY	Part Number	Description	Material	Rev	Comments
3	4	77.42.20	Rvs. hamerkopbout M8x20 mm	Stainless Steel, Austenitic [A2 - 70]	A	
2	4	56.40.05	Rvs. borgmoer M8 gecoat	Stainless Steel, Austenitic [A2 - 70]	A	
1	1	00.48.63	Alu. koppelstuk side profiel light z/p	Aluminum-6060 T66	A	

American projection:



VAN DER VALK



SOLAR SYSTEMS

www.valksolarsystems.nl

Scale: 1 : 1

Unit: mm

Material:

Project:

Description:

Author: V. Prins

Group:

Date: 6-6-2016

Comments:

Rev: State:

A Released

Alu. koppelstuk tbv side profiel

Part number.:

72.48.63

Size:

A4