

Solar PV Grid Tie Inverter



Installation and Operation Manual

Ver 1.0



Ningbo Ginlong Technologies Co., Ltd.
No. 57 Jintong Road, Binhai Industrial Park,
Xiangshan, Ningbo, Zhejiang, 315712, P.R.China
Tel: +86 (0)574 6578 1806
Fax: +86 (0)574 6578 1606
Email: info@ginlong.com
Web: www.ginlong.com

Please record the serial number of your inverter and quote this when you contact us.

© 2013, Ningbo Ginlong Technologies Co., Ltd.

Contents

1. Introduction	3
2. Safety Instructions	4
2.1 Safety Symbols	4
2.2 General Safety Instructions	5
2.3 Intended Use	6
3. Overview	7
3.1 Front Panel Display	7
3.2 LED Status Indicator Lights	7
3.3 Keypad	8
3.4 LCD	8
4. Installation	9
4.1 Selecting Location for the Inverter	9
4.2 Mounting the Inverter	9
4.3 Electrical Connections	11
4.4 System Installation Requirement	15
4.5 Grounding	15
5. Setup and Stop	16
5.1 Starting the Inverter	16
5.2 Stopping the Inverter	16

Contents

6. Operation	17
6.1 Main Menu	17
6.2 Information	17
6.3 Settings	19
6.3.1 Setting Time	19
6.3.2 Setting Address	19
6.3.3 Cleaning Energy	20
6.3.4 Restoring Settings	20
6.4 Advanced Info.	21
6.4.1 Alarm Message	21
6.4.2 STD No.	22
6.4.3 Version	22
6.4.4 Communication Data	22
6.5 Advanced Settings	22
6.5.1 Selecting Standard	23
6.5.2 Grid ON/OFF	24
7. Maintenance	25
8. Trouble Shooting	25
9. Specifications	27
10. Warranty	28

1. Introduction

Solis-15K is a transformerless solar grid tie inverter which has excellent MPPT performance to efficiently obtain power from solar panels. It has a wide input voltage range from 300V to 800V and two separately operated MPP Trackers. The maximum input current of Solis-15K is 18A DC for each MPPT and maximum output power is 15000W.



▲ Figure 1.1 Solis-15K vertical view



▲ Figure 1.2 Solis-15K side view

2. Safety Instructions

Solis-15K is designed and manufactured to ensure your personal safety. Improper use may result in potential electric shock hazards or burns. This manual contains important instructions that should be followed during installation and maintenance of Solis-15K. Please read these instructions carefully before use and keep them for future reference.

2.1 Safety Symbols

Safety symbols used in this manual, which highlight potential safety risks and important safety information, are listed as follows:



WARNING:

WARNING symbol indicates important safety instructions, which if not correctly followed, could result in serious injury or death.



NOTE:

NOTE symbol indicates important safety instructions, which if not correctly followed, could result in damage to or destruction of the inverter.



CAUTION:

CAUTION, RISK OF ELECTRIC SHOCK symbol indicates important safety instructions, which if not correctly followed, could result in electric shock.



CAUTION:

CAUTION, HOT SURFACE symbol indicates safety instructions, which if not correctly followed, could result in burns.

2.Safety Instructions

2.2 General Safety Instructions

**WARNING:**

Solis-15K is a transformerless inverter. Hence before its operation, it is very important to ensure that the DC input source and the AC output source are electrically isolated. Failure to do so will cause serious damage to the inverter. (CAUTION: AC and DC voltage sources are terminated inside the inverter. The AC circuit and the DC circuit must be isolated from each other before servicing. Each circuit must be individually disconnected before servicing.)

**WARNING:**

All electrical installations must be done in accordance with the local and National Electrical Code.

**WARNING:**

To reduce the risk of fire, branch circuit over current protective devices are required for circuits connected to Solis-15K. The rating of over current device should not exceed 20 amperes.

**CAUTION:**

Risk of electric shock. Do not remove cover. There are no user serviceable parts inside. Refer servicing to qualified and accredited service technician.

**CAUTION:**

The PV array (Solar panels) supplies a DC voltage when it is exposed to light.

**CAUTION:**

Risk of electric shock from energy stored in capacitors of Solis-15K. Do not remove cover until 5 minutes after disconnecting all sources of supply. Service technician only. Warranty may be void if unauthorized removal of cover.

**CAUTION:**

Solis-15K has a heat sink on its top surface, which helps in cooling down the internal components. The heat sink can reach temperatures up to 75°C (167°F). To avoid risk of burns, do not touch the heat sink when the inverter is operating. To install an inverter on a wooden, painted, or any other combustible surface, a cement sheet is required to be used as a fire retardant material between the wall and the inverter mounting. Inverter must be installed OUT OF REACH OF CHILDREN.

2.Safety Instructions

2.3 Intended Use

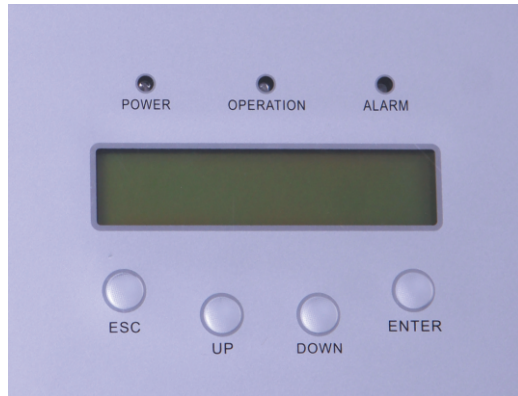
The inverter has been constructed according to the applicable safety and technical guidelines. Use the inverter in installations that meet the following specifications ONLY:

- 1.Permanent installation is required.
- 2.The inverter must be connected to a separate, grounded AC group, to which no other electrical equipment is connected.
- 3.The electrical installation must meet all the applicable regulations and standards.
- 4.The inverter must be installed according to the instructions stated in this manual.
- 5.The inverter must be installed according to the correct technical specifications.
- 6.To startup the inverter, the Grid Supply Main Switch (AC) must be switched on before the solar panel DC isolator is switched on. To stop the inverter, the Grid Supply Main Switch (AC) must be switched off before solar panel DC isolator is switched off.
- 7.The DC input voltage into the Solis-15K must NOT exceed 1000Vdc.

3. Overview

3. Overview

3.1 Front Panel Display



▲ Figure 3.1 Front Panel Display

3.2 LED Status Indicator Lights

There are three LED status indicator lights in the front panel of Solis-15K. The left POWER light (red) indicates power status of the inverter. The middle OPERATION light (green) indicates the operation status. The right ALARM light (yellow) indicates the alarm status. Table 3.1 explains their meanings.

Light	Status	Description
● POWER	ON	The inverter is detecting solar power signal.
	OFF	The inverter has lost a solar power signal.
● OPERATION	ON	The inverter is operating properly.
	OFF	The inverter has stopped supplying power.
	FLASHING	The inverter is initializing.
● ALARM	ON	Alarm or fault condition is detected. The inverter stores the last 10 messages.
	OFF	The inverter is operating properly.

▲ Table 3.1 Status Indicator Lights

3.3 Keypad

There are four keys in the front panel of the Solis-15K (from left to right): ESC, UP, DOWN and ENTER keys. The keypad is used for:

- Scrolling through the displayed options (the UP and DOWN keys);
- Access to modify the adjustable settings (the ESC and ENTER keys).

3.4 LCD

The two-line Liquid Crystal Display (LCD) is located at the front panel of Solis-15K, which shows the following information:

- Inverter operation status and data;
- Service messages for operator;
- Alarm messages and fault indications.

4. Installation

4. Installation

4.1 Selecting a Location for the Inverter

To select a location for the inverter, the following criteria should be considered:

- The temperature of the inverter heat sink up to 75°C. Hence the inverter must be installed at a place where nobody will touch its top.
- The inverter is designed to work in extreme temperatures. The ambient operating temperature range is from -25°C to 60°C.
- A minimum 500mm clearance between the bottom of the inverter and the ground are recommended.



NOTE:

Heat sink must be Out of Reach of Children.

- Visibility of the LED status indicator lights and the LCD located at the front panel of the inverter should be considered.
- Adequate ventilation must be provided if the inverter is to be installed in a confined space.

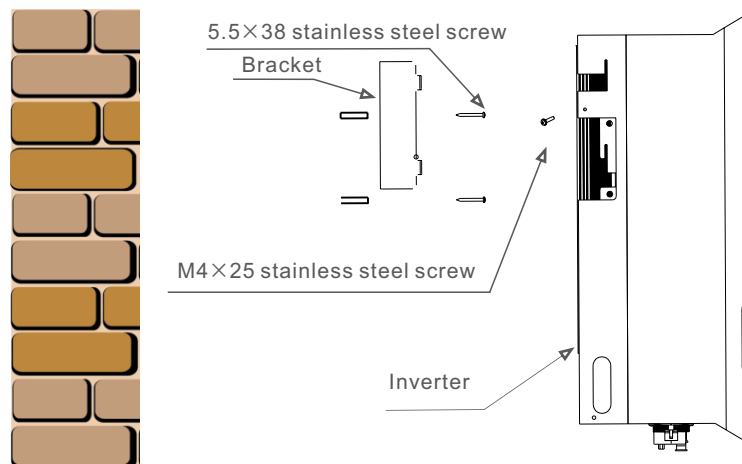


NOTE:

Nothing should be stored on or placed against the inverter.

4.2 Mounting the Inverter

Please use suitable fixings for wall type (e.g. use dynabolts for brick masonry).



▲ Figure 4.1 Inverter Mounting

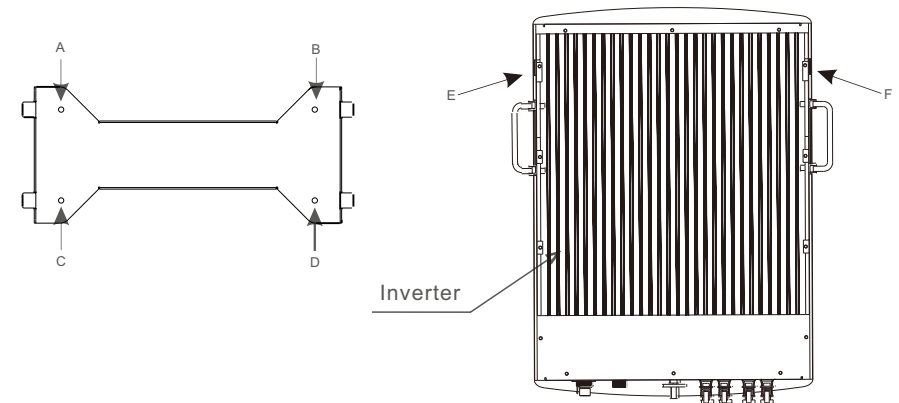
Inverter should be mounted in a vertical position as shown in Figure 4.1. The steps to mount the inverter to the wall are given as follows:

1. Locate the wall studs in the desired location and align the wall mount bracket over the studs. Mark the mounting holes. For masonry walls, the mounting holes should be as for a suitable dynabolts type mounting system.
2. **MAKE SURE BRACKET IS LEVEL.** Ensure mounting holes A, B, C, and D (in Figure 4.2) are aligned with most secure points on wall (e.g. wall studs if clad building materials).



WARNING:

Bracket must be mounted vertically on a vertical wall surface.



▲ Figure 4.2 Wall Mount Bracket

3. Carefully hang the inverter on the upper part of the wall mount bracket by fitting the hooks into the slot of the bracket. Use M4x25 stainless steel screws and washers at holes E and F (in Figure 4.2) to secure the mounting hooks to the rear of the inverter.

4. Installation

4. Installation

4.3 Electrical Connections

Solis-15K is designed for electrical connection without removing the cover. The meaning of the symbols located at the bottom of the inverter are listed in Table 4.1. All electrical installations must be in accordance with all local and national electrical codes. For all AC wiring connections, 4mm², 105°C, copper wires are required to be used.

+	Positive terminals of DC input
-	Negative terminals of DC input
DC 1	DC 1 input terminals positive or negative
DC 2	DC 2 input terminals positive or negative
DC SWITCH	Switch of DC input terminals(optional)
RS 485	Rs485 communication connect terminal(optional)
COM	Equipment communication connect terminal
GRID	Equipment grid wires connect terminal

▲ Table 4.1 Terminals

Solis-15K can transfer the power available to the utility at any input DC voltage that is within the range from 300Vdc to 800Vdc. The maximum input current for each MPPT is 18Adc.

The rated output voltage of Solis-15K is 380Vac or 400Vac.

The electrical connection of the inverter must follow the steps listed below:

1. Switch the Solar Supply Main Switch (AC) OFF.
2. Switch the solar panel DC Isolator OFF.
3. Connect Solis-15K to the solar panel DC Isolator.
 - a) Make sure the polarity of the output voltage from the solar panel (i.e. The input voltage for Solis-15K) matches the “DC+” and “DC-” symbols.
 - b) Attach the positive DC connector (refer to Figure 4.3) to the solar panel output positive terminal. Attach the negative DC connector (refer to Figure 4.4) to the solar panel output negative terminal.



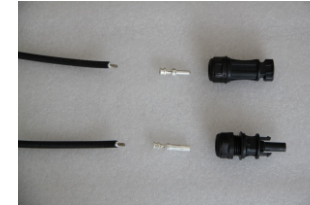
▲ Figure 4.3 DC+ Connector



▲ Figure 4.4 DC- Connector

The steps to assemble the DC connectors are listed as follows:

- i) Disassemble the connector coat (see Figure 4.5).



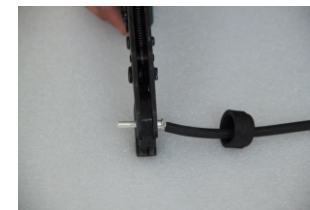
▲ Figure 4.5 Disassemble the Connector Cap

- ii) Insert the wire into the bottom part of the connector coat as shown in Figure 4.6.



▲ Figure 4.6 Insert the Wire into the Connector Cap

- iii) Attach the pin top to the wire as shown in Figure 4.7.



▲ Figure 4.7 Attach the Pin Top to the wire

- iv) Insert the pin to the top part of the connector and screw the top part back on the bottom part of the connector (as shown in Figure 4.8).



▲ Figure 4.8 Connector with Cap Screwed on

4. Installation

v) Then connect the DC± connectors to Solis-15K (as shown in Figure 4.9).



▲ Figure 4.9 Connect the DC Connectors to the Inverter

4. Connect Solis-15K to the AC grid switch.

Each Solis-15K is supplied with an AC grid terminal connector, which is shown in Figure 4.10.



WARNING:

There are “L” “1” “2” “N” “⊥” symbols marked inside the connector (see Figure4.11), the Line wire of grid must be connected to “L” “1” “2” terminal; the Earth of grid must be connected to “⊥” ; it is recommended that the Neutral wire of grid is connected to “N” terminal(not required)(see Figure 4.12).



▲ Figure 4.10 AC Grid Terminal Connector



▲ Figure 4.11 AC Grid Terminal Connector Inside

4. Installation

The steps to assemble the AC grid terminal connectors are listed as follows:

a) Attach the wires to the grid terminal using screws on the connector (as shown in Figure 4.12).



▲ Figure 4.12 Connect Wires to the Grid Terminal

b) Put the terminal cap on the terminal (as shown in Figure 4.13).



▲ Figure 4.13 Put the Cap on the Terminal

c) Connect the AC grid terminal connector to Solis-15K (as shown in Figure 4.14).



▲ Figure 4.14 Connect the Terminal Connector to Solis-15K

5. Connect Solis-15K to your PC via communication terminal (optional).

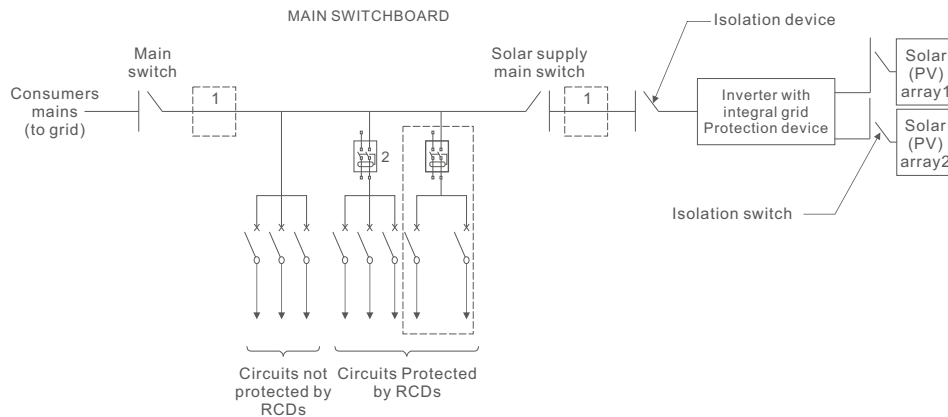
Please refer to the software application manual.

4. Installation

5. Setup and Stop

4.4 System Installation Requirement

Figure 4.15 is a simple guidance for installing a solar system with PV inverter. A DC isolator is required to be installed in the system between the PV panels and the inverter.



▲ Figure 4.15 Guidance for a Simple Installation of an Inverter Solar PV Energy System



NOTE:

1. The RCD should not be placed between the consumers mains and the solar supply.
2. More than one RCD may be used. Each RCD can protect one or more circuits.

4.5 Grounding

Solis-15K must be earthed securely. Inside the inverter, the earth wire is in yellow and green. When the inverter is connected to the grid through the AC grid terminal connector, the earth wire will be connected to the Earth and hence ensure safety.

5.1 Starting the Inverter

To start up Solis-15K, it is important that the following steps are strictly adhered to:

1. Switch the Solar Supply Main Switch (AC) ON first.
2. Switch the solar panel DC Isolator ON. If the solar panels provide normal power supply, Solis-15K will turn on (the red light displays and the LCD shows the name of the company and the model name of the inverter).



▲ Figure 5.1 Company Name and Model Name on LCD

3. When both the DC side and AC Grid side of Solis-15K have power presented, the inverter will prepare to generate. Initially, Solis-15K will check both its internal parameters and the parameters of the AC grid to ensure that they are within the acceptable limits. At this time, the green light will flash and the LCD displays the information of INITIALIZING.
4. After 3 mins, Solis-15K will generate electricity normally. The green light will remain on and the LCD displays GENERATING.



WARNING:

Do not touch the heat sink when the inverter is operating. Some parts may be hot and cause burns.

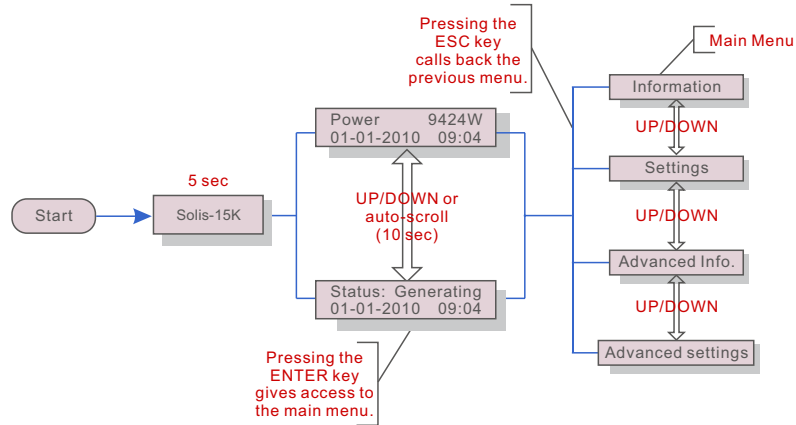
5.2 Stopping the Inverter

To stop Solis-15K, the following steps must be strictly followed:

1. Switch the Solar Supply Main Switch (AC) OFF.
2. Wait 30 seconds. Switch the solar panel DC Isolator OFF. All the LEDs of the inverter will be off in a minute.

6. Operation

During regular operation, the display shows the power and the operation status alternately with each screen lasting for 10 seconds (see Figure 6.1). Screens can also be scrolled manually by pressing the UP and DOWN keys. Pressing the ENTER key gives access to Main Menu.



▲ Figure 6.1 Operation Overview

6.1 Main Menu

There are four submenus in the Main Menu (see Figure 6.1):

1. Information
2. Settings
3. Advanced Info
4. Advanced Settings

6.2 Information

The Solis-15K main menu provides access to operational data and information. The information is displayed by selecting "Information" from the menu and then by scrolling up or down.

6. Operation

Display	Duration	Description
V_DC1 350.8 I_DC1 5.1A	10 sec	V_DC1: shows input 01 voltage value. I_DC1: shows input 01 current value.
V_DC2 350.8 I_DC2 5.1A	10 sec	V_DC2: shows input 02 voltage value. I_DC2: shows input 02 current value.
V_Grid 400.4V I_Grid 8.1A	10 sec	V_Grid: shows grid voltage value. I_Grid: shows grid current value.
Status: generating Power: 1488W	10 sec	Status: shows instant status of Solis-15K. Power: shows instant output power value.
Grid Frequency F_Grid 50.06Hz	10 sec	F_Grid: shows instant frequency of grid value.
Total Energy 0258458 kwh	10 sec	Total energy output value (since the last time energy was cleared).
This Month: 0123kwh Last Month: 0123kwh	10 sec	This Month: Total energy output during this month. Last Month: Total energy output of last month.
This day: 02kwh Last day: 01kwh	10 sec	This Day: Total energy output during this Day. Last Day: Total energy output of last Day.

▲ Table 6.1 Information Indicator

Pressing the ESC key returns to the Main Menu. Pressing the ENTER key can lock (Figure 6.2(b)) or unlock (Figure 6.2 (a)) the screen.



(a)



(b)

▲ Figure 6.2 Lock and Unlock the Screen of LCD

6. Operation

6. Operation

6.3 Settings

The following submenus are displayed when the Settings menu is selected:

- 1.Set Time
- 2.Set Address
- 3.Clear Energy
- 4.Restore Settings

6.3.1 Setting Time

This function allows time and date setting. When this function is selected, the LCD will display a screen as shown in Figure 6.3.



NEXT=<ENT> OK=<ESC>
01-01-2010 16:37

▲ Figure 6.3 Set Time

Press the UP/DOWN keys to set time and data. Press the ENTER key to move from one digit to the next (from left to right). Press the ESC key to save the settings and return to the previous menu.

6.3.2 Setting Address

This function is used to set the address of an inverter connected to PC for communication purpose. The address number can be assigned from “01” to “99” (see Figure 6.4).

The default address number of Solis-15K is “01” .



YES=<ENT> NO=<ESC>
Set Address: 02

▲ Figure 6.4 Set Address

Press the UP/DOWN keys to set the address. Press the ENTER key to save the settings. Press the ESC key to cancel the change and return to the previous menu.

6.3.3 Clearing Energy

This function is used to clear energy (total energy, this month energy and last month energy).

When Clear Energy is selected, the screen will show the following figure (Figure 6.5).



Are you sure?
YES=<ENT> NO=<ESC>

▲ Figure 6.5 Clear Energy

Press the ENTER key to confirm before executing clearing energy. Press the ESC key to cancel the change and return to the previous menu.

6.3.4 Restoring Settings

Do NOT use this function. The inverter is preset to standard UL1741, which must NOT be changed. Access to this function may cause damage to the inverter and may void the warranty.

6.4 Advanced Info - Technicians Only



NOTE:

Access to this area is for fully qualified and accredited technicians only. Unauthorized access to these areas may void the warranty.

Select Advanced Info. from the Main Menu to display a screen to access the following information

- 1.Alarm Message
- 2.Temperature
- 3.STD NO.
- 4.Version
- 5.Communication Data

Screens can be scrolled manually by pressing the UP/DOWN keys. Pressing the ENTER key gives access to submenu. Press the ESC key to return to the Main Menu.

6.4.1 Alarm Message

The display shows 10 latest alarm messages (see Figure 6.9). Screens can be scrolled manually by pressing the UP/ DOWN keys. Press the ESC key to return to the previous menu.

```
Alarm0: OV-G-V
Time: 27-11 Data: 7171
```

▲ Figure 6.9 Alarm Message

6.4.2 Temperature

The screen shows the power module temperature of Solis-15K (see Figure 6.10).

```
Temperature
046.6°C
```

▲ Figure 6.10 Temperature of the Inverter

6.4.3 STD NO.

The screen shows the reference standard of Solis-15K (see Figure 6.11).

```
Standard: UL1741
```

▲ Figure 6.11 Standard of the Inverter

6.4.4 Version

The screen shows the model version and the software version of Solis-15K (see Figure 6.12).

```
Model: 08
Software Version: D201
```

▲ Figure 6.12 Model Version and Software Version

6.4.5 Communication Data

The screen shows the internal data of Solis-15K (see Figure 6.13), which is for service technicians only.

```
01-05: 01 25 E4 9D AA
06-10: C2 B5 E4 9D 55
```

▲ Figure 6.13 Communication Data

6.5 Advanced Settings - Technicians Only



NOTE:


Access to this area is for fully qualified and accredited technicians only. Unauthorized access to these areas may void the warranty.

Select Advanced Settings from the Main Menu to access the following options:

- 1.Select Standard
- 2.Grid ON/OFF

6.5.1 Selecting Standard

This function is used to select reference standard of grid (see Figure 6.14).



```
YES=<ENT> NO=<ESC>
Standard: UL1741
```

▲ Figure 6.14



NOTE:

This function exists for technician use only.



NOTE:

You must set Grid OFF first (refer to Section 6.5.2) to use this function.



NOTE:

Your inverter must be set to UL1741 only.

Press the UP/DOWN keys to select the standard (UL1741, VDE0126, UL1741, G83, User-Def). Press the ENTER key to confirm the setting. Press the ESC key to cancel the change and return to the previous menu.

Selecting the User-Def menu will access to the following submenu (see Figure 6.15):

OV-V: 430---470V

UN-V: 313---350V

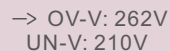
OV-G-F: 50.3---52.0Hz(60.3—62.0Hz)

UN-G-F: 47.0---49.5Hz(57.0—59.5Hz)



NOTE:

The initial values of the User-Def standard are some reference values. They are not indicating the values of the standard you are currently using.



```
-> OV-V: 262V
UN-V: 210V
```

▲ Figure 6.15

Press the UP/DOWN keys to scroll through items. Press the ENTER key to edit the highlighted item. Press the UP/DOWN keys again to change the setting. Press the ENTER key to save the setting. Press the ESC key to cancel the change and return to the previous menu.



NOTE:

You must set Grid ON (refer to Section 6.5.2) before the new standard can be used.

6.5.2 Grid ON/OFF

This function is used to start or stop the generation of Solis-15K (see Figure 6.16).



```
-> Grid ON
Grid OFF
```

▲ Figure 6.16 Set Grid ON/OFF

Screens can be scrolled manually by pressing the UP/DOWN keys. Press the ENTER key to save the setting. Press the ESC key to return to the previous menu.

7. Maintenance

Solis-15K does not require any regular maintenance from the user. However, impurities such as dirt may affect the heat accumulation of the inverter and hence its performance. The dirt on the inverter can be cleaned with a soft brush.



CAUTION:

Do not touch the heat sink when the inverter is operating. Some parts may be hot and cause burns. Turn OFF your inverter (refer to Section 5.2) and let it cool down before you do any maintenance or cleaning of inverter.

The LCD and the LED status indicator lights can be cleaned with a damp cloth if they are too dirty to be read.



NOTE:

Never use any solvents, abrasives or corrosive materials to clean the inverter.

Trouble Shooting

Solis-15K is designed in accordance with the standards of grid-tied operation, safety requirements and electromagnetic compatibility. Before being delivered to the customer, Solis-15K has been subjected to several tests to ensure its optimal operation, reliable performance and good durability.

If an operational failure occurs, the LCD screen will display an alarm message. In this case, the inverter stops feeding into the grid. The possible failure scenarios and their corresponding alarm messages are listed in Table 8.1:

8. Trouble Shooting

Alarm Message	Failure Scenario
OV-G-V	Over grid voltage
UN-G-V	Under grid voltage
OV-G-F	Over grid frequency
UN-G-F	Under grid frequency
G-IMP	Grid impedance high
NO-Grid	No grid
OV-DC	Over DC voltage
OV-BUS	Over DC bus voltage
UN-BUS	Under DC bus voltage
SHORT-PRO	Short circuit fault
INI-PRO	System initial fault
TEM-PRO	Over Temperature
GROUND-PRO	Ground fault

▲ Table 8.1 Failure Scenarios



NOTE:

If your Solis-15K gives any alarm message listed in Table 8.1, turn off your inverter (refer to Section 5.2 to stop your inverter) and wait for 30 minutes before restarting it (refer to Section 5.1 to start your inverter). If the failure has not been cleared, contact your local distributor or the service center. Please have the following information ready with you before you contact us.

1. Serial number of Solis-15K;
2. The distributor/dealer of Solis-15K (if available);
3. Installation date.
4. The description of problem (i.e. the alarm message displayed on the LCD and the status of the LED status indicator lights. Other readings obtained from the Information submenu (refer to Section 6.2) will also be helpful.);
5. System design for the solar PV array configuration (e.g. number of panels, capacity of panels, number of strings, etc.);
6. Your contact details.

9. Specifications

Item	Parameter
Energy Source	PV
The max DC input voltage	1000Vdc
MPPT operation range	300~800Vdc
The max dc input current	18+18Adc
Number of MPP trackers/strings per MPP Tracker	2/2
Rating output power	15kW
The transient max power	15kW
Rating grid voltage	400Vac
The grid voltage range	313~470Vac(adjustable)
Operation phase	Three phase
Rating grid output current	21.7Aac
Output power factor	>0.99
Grid current THD	<4%(Total THd)
The dc injection current	<20mA
Rating grid frequency	50/60Hz
Efficiency	>97.5%
Protection	DC reverse-polarity protection; AC short circuit protection; islanding protection; temperature protection. Etc.
Size(mm)	430W*600H*220Dmm
Weight	30kG
Topology	Transformerless
Internal consumption	<6W(Night)
Running temperature	-25~60°C
Ingress protection	Ip65
Interface	RS485 WIFI GPRS(Optional)
Design lifetime	>20years
Operating Range Utility Frequency	47-52 or 57-62Hz(adjustable)
Utility Monitoring	
Operation Surroundings Humidity	0~95%
EMC	EN61000-6-1:2007 EN61000-6-3:2007

▲ Table 9.1 Specifications