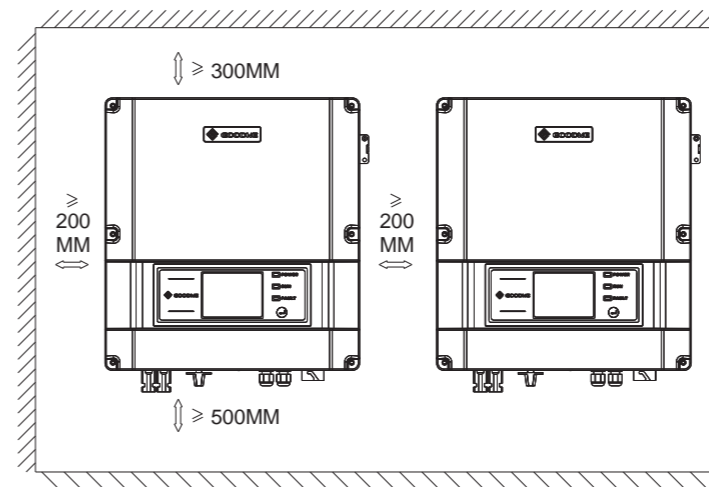




Instructions for Fast Installation

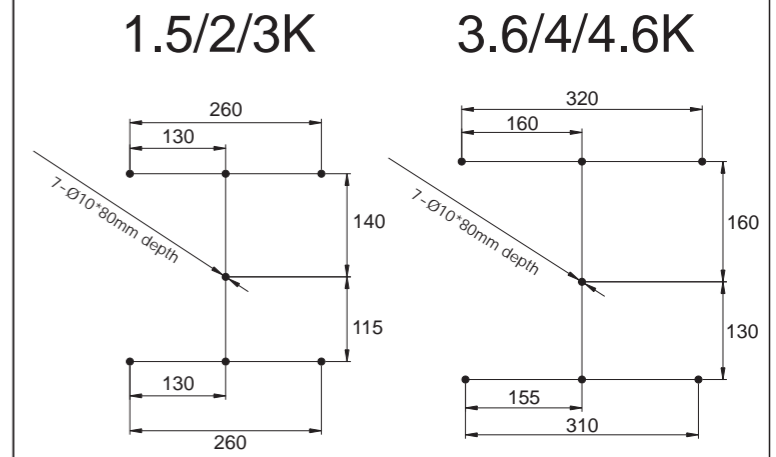
SS Series

A



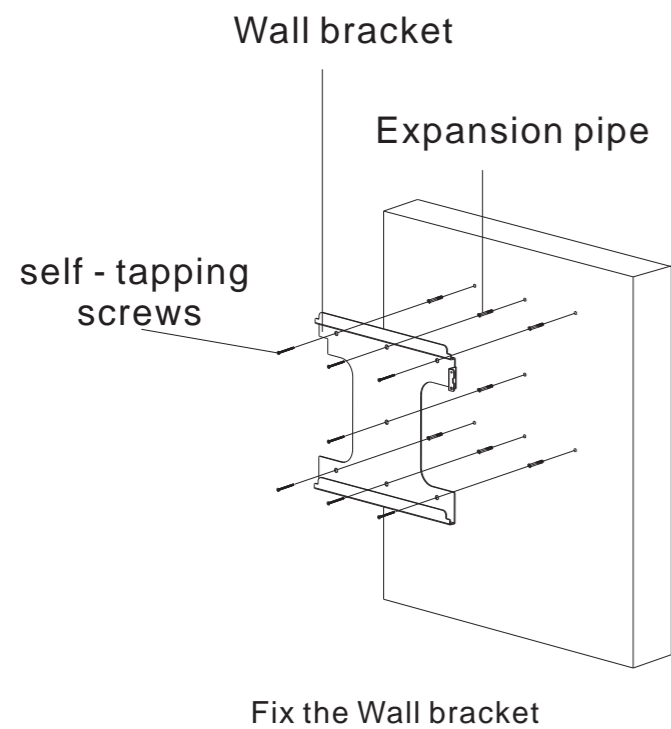
Installation space

B

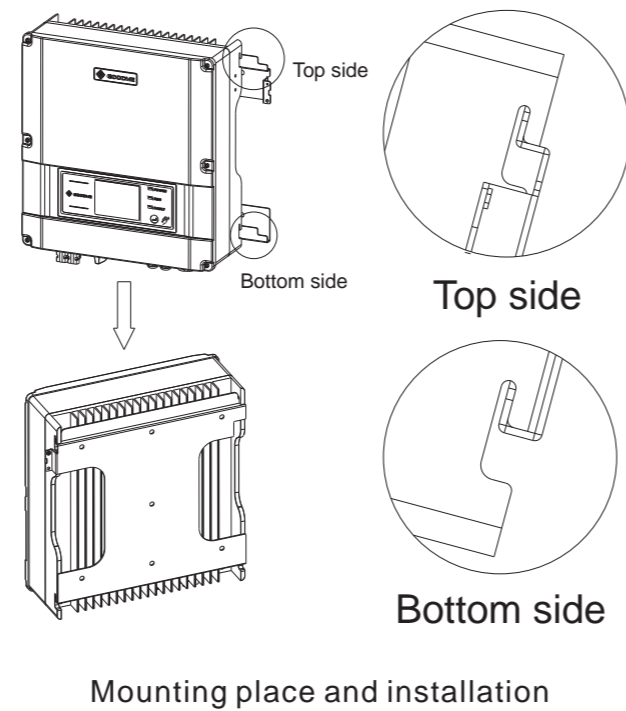


Dimensions for Drilling holes

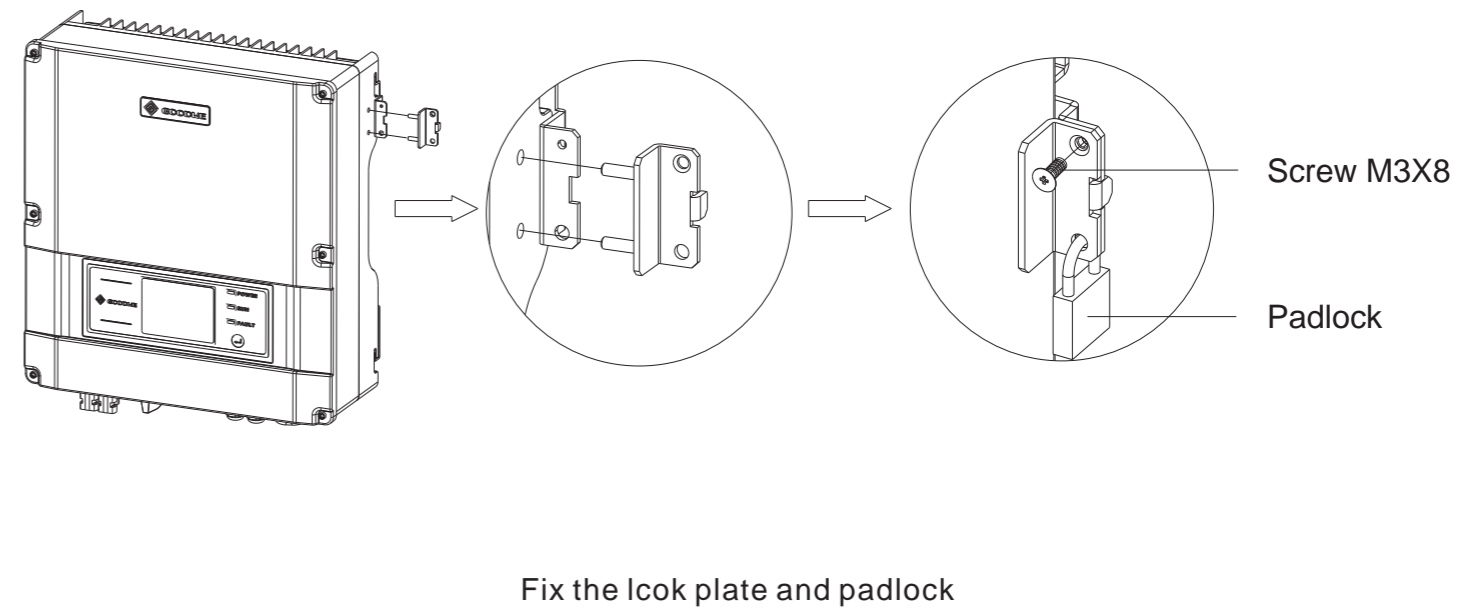
C



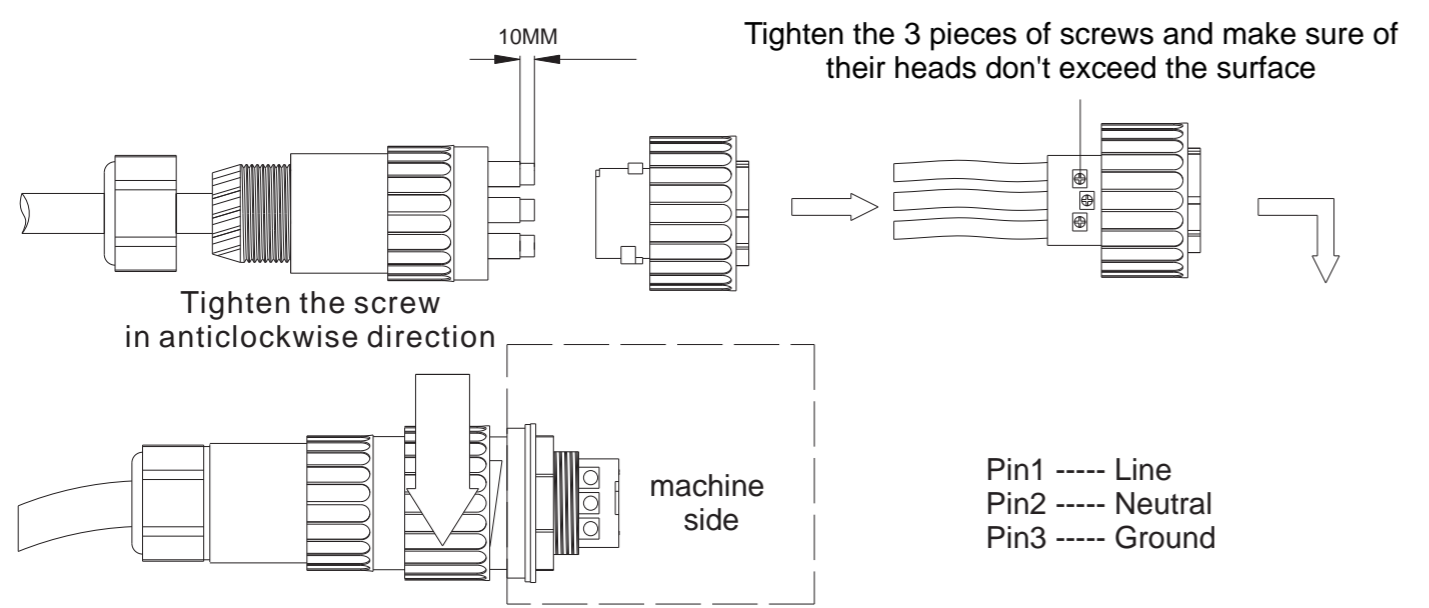
D



E

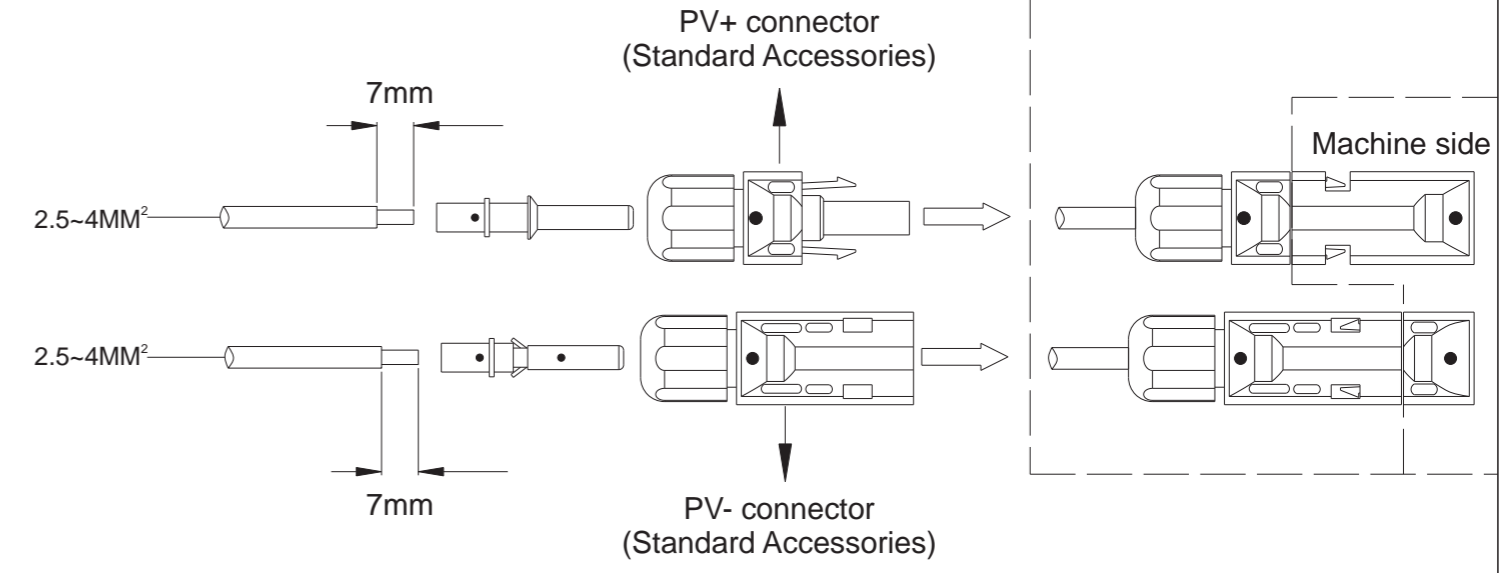


F



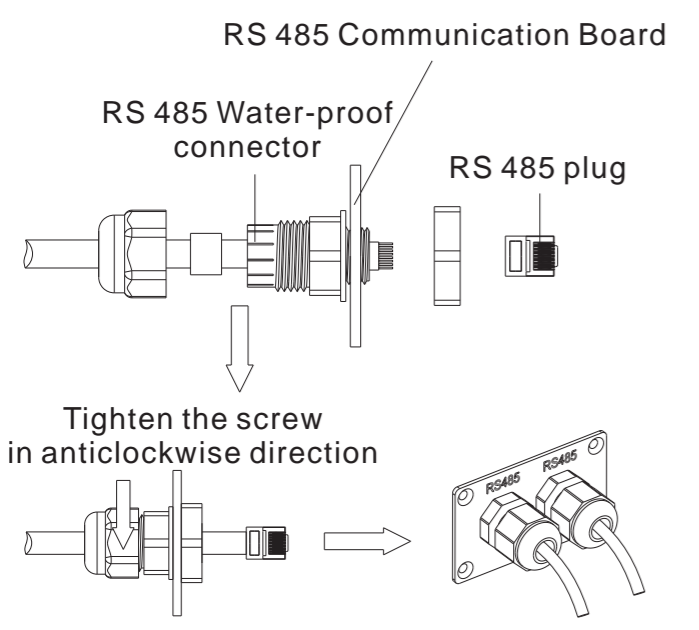
AC wire assembly and connection

G

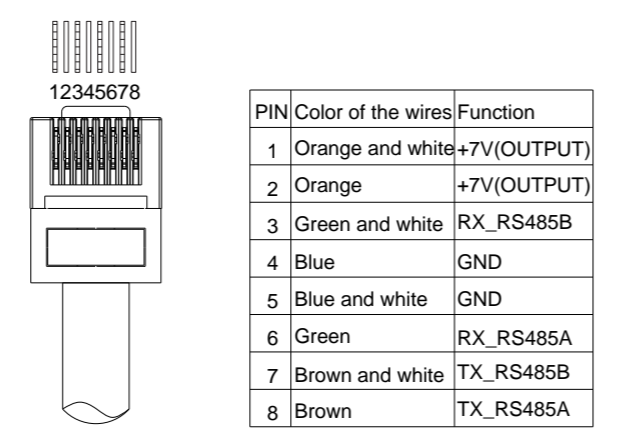


DC wire assembly and connection

H



I



RS485 cable positions in crystal connector

Where the sun shines, there is GoodWe!

No.189 Kunlunshan Rd., SND, Suzhou, 215163, China
 T: +86 512 6239 6771
 F: +86 512 6239 7972
 sales@goodwe.com.cn
 www.goodwe.com.cn