

D150



■ Code: FTD 1007 009

■ Description: Dividers with junction system (E-link)

■ FEATURES

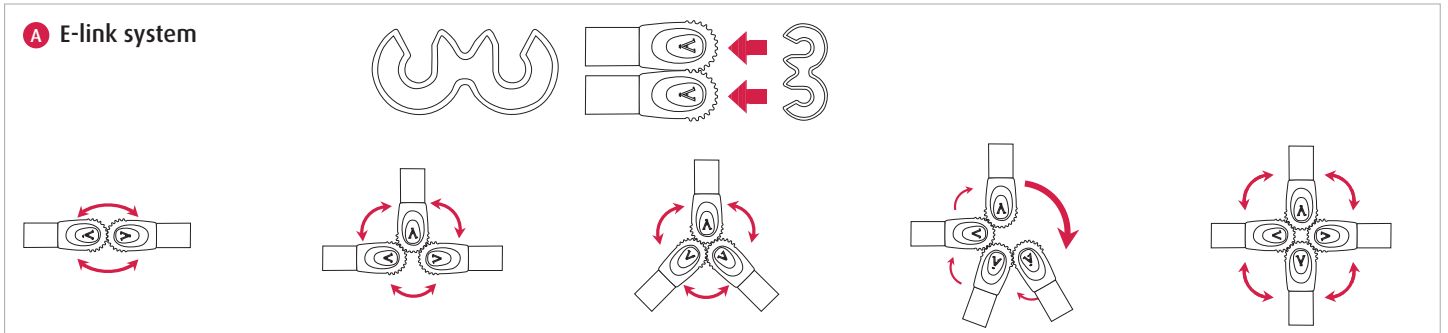
D-150 panels' frame is formed by extruded aluminium profile; silver covered and alloy cast moulded angles. **E-link system** developed by Actiu is useful to install any configuration with 1 polyamide single clip (**A**) easily and quickly. The system accepts different clips to do configurations with two or more panels.



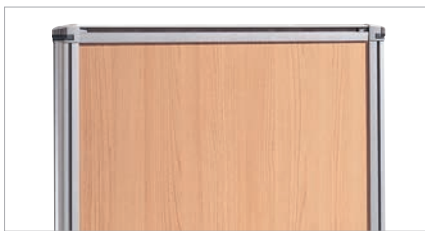
■ STRUCTURE

- ① Extruded aluminium profiles silver finish
- ② Alloy cast moulded angles
- ③ Polyamide covers and clips
- ④ Panel different finishes. There are 2 different panel styles: **Solid panel** and **split panel** (where you can combine different finishes between top and bottom section). **Middle and Top trim** provides a rail to hang 3rd level accessories. Shelves could be **fitted to the lateral Side trims** using aluminium injected brackets.

■ E-LINK SYSTEM



④ KIND OF PANELS



solid panel



split panel

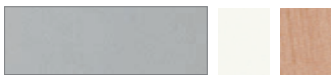
■ ACCESSORIES



3ed level accessories and melamine shelves

■ FINISHES

Boards MFC (10 mm)



Silver

White Elm

(See finishes cards)

Boards MFC + Fabric (22 mm aprox.)



Fabric T

Acrylic (5 mm)



Frosted

Polycarbonate (10 mm)



Frosted

■ HOW TO USE THE DIFFERENT FEET OPTIONS AVAILABLE



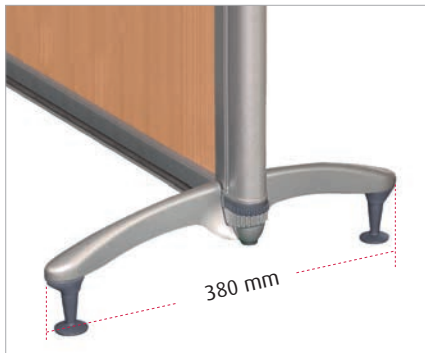
Levellers each module includes 2 levellers as standard



Castors (optional) for mobile screens



Flat foot (optional) for aisles where people passing through



Double foot with levellers (optional) ideal for configurations to divide areas



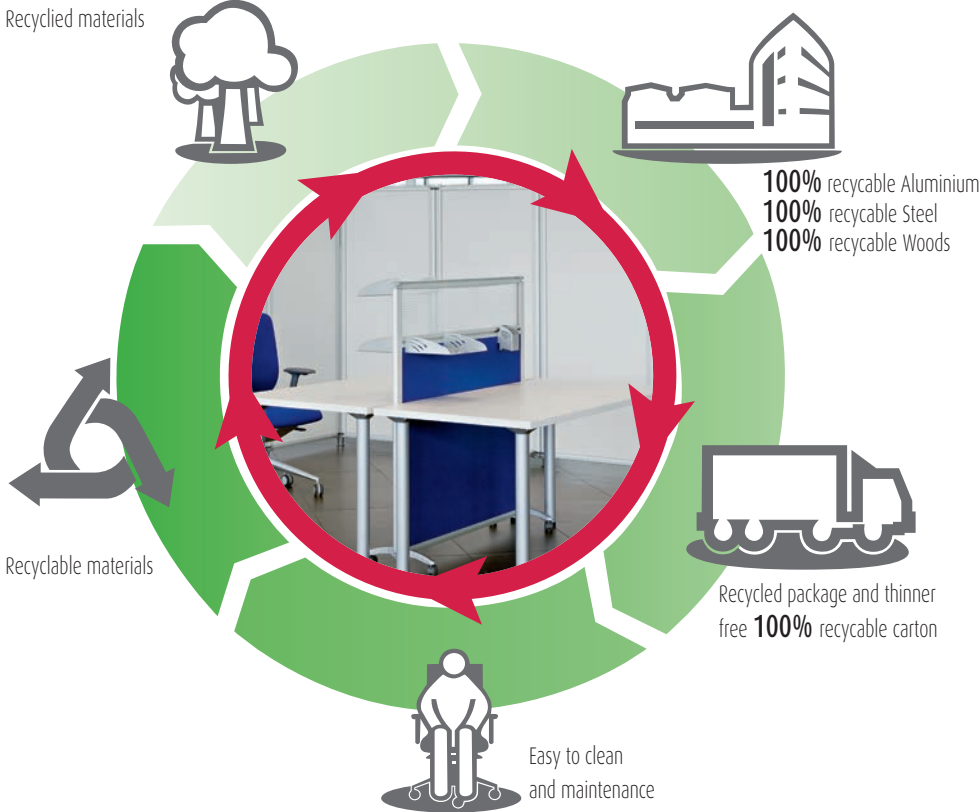
Double foot with castors (optional) mobile foot ideal for configurations to divide areas



Single foot (optional) required when using shelves only at one side



Double foot (optional) required when using shelves at both sides



MATERIALS

D150 has been designed to be manufactured with recycled materials, danger substances such as chrome, mercury or cadmium are not used in big quantity. Recycables Aluminium, Steel and Woods 100%. Organic volatile Components. Packages manufactured with recycled carton. Ink thinner free.

PRODUCTION

Energy use is optimized during the production process. Minimum environmental impact. Last generation technological system in coating processes. Painting that have not been used is recovered to use it again. Zero COVs emissions and other contaminant gas. Close water circuit to clean the metals. Heat recovery. Automatic manufacture systems. Cut process is planned.

TRANSPORT

Optimum packaging to reduce space in transport and save energy.

USE

Long lasting use. Spare parts and replacements available. Easy to clean and maintenance.

DISPOSAL

Recyclable. Easy and quick to split D150 components. Packages are reuse by our supplier to avoid waste generation. Carton used in packages is recyclable.

CERTIFICATES AND REFERENCES

The different programmes get points in different environmental categories to get the LEED certificate (sustainability, material and resources, water, energy and atmosphere, inner environment quality, innovation and design).



The mark of responsible forestry



PEFC Certificate



EN ISO 14006:2011 ECODESIGN Certificate



UNE-EN ISO 9001:2008 ISO 9001 Certificate



UNE-EN ISO 14001:2004 ISO 14001 Certificate



E1 by EN 13986 Certificate



■ STANDARDS

D150 has passed tests done in our technical department as well as the tests done in **AIDIMA** the Technological Institute for furniture. The tests correspond to UNE standards and office desks:

- **UNE: 1023-1: 1996.** Office Furniture. Screens. Part 1: Dimensions.
- **UNE: 1023-2: 2001.** Office Furniture. Screens. Part 2: Mechanical security requirements.

■ ACCESSIBILITY

Comfortable and Open. We design furniture to solve all needs at any moment and perfectly integrated in any nowadays working spaces: more agile and comfortable, efficient and multipurpose.

These modules split working spaces providing confidentiality and privacy. An easy filing and storing solution for daily accessibility.

■ STRONG

Stable and Solid. Resistant furniture. Precise finishes with delicate details. To get this, we have the most avant garde technology.

■ ECOLOGY

The new technological production system included, reduce the energy resources used to manufacture each component. Materials are very well used to avoid wastes.

RECYCLED AND RECYCABLE MATERIALS

ACTIU environmental policy opts to use recycled materials in those components where functionality and lasting is not a condition. Materials used in **D150** such as Aluminium, Steel and Wood are totally recyclable.

SUSTAINABLE CERTIFICATE

ACTIU has **PEFC y FSC**, certificate to proof that the wood used in our products comes from sustainable exploitations and **ECODESIGN ISO 14006** certificate.

■ REMARKABLE VALUES

1 – ACTIU has **PEFC y FSC**, certificate to proof that the wood used in our products comes from sustainable exploitations and **ECODESIGN ISO 14006 certificate**.

2 - Chip board covered by pressure n and temperature with melamine paper to create wood texture. Paper is perfectly fixed to the board as well as a perfect surface finish, resistance without any further treatments.

3 – Painting process:

Actiu painting plant has minimum environmental impact against the traditional industry processes.

Treatment is done by polarized coating and compacted with temperature. We get homogeneous and regular application with 98% of painting and the remaining 2% is used to produce other paints. Paints used are COVs free (Volatile Organic Components) which are very dangerous for the environment. All water used in the process is re-used, so we get zero dump. The process is free in heavy metal, phosphate, organic components and **BOD** (Biochemical demand of Oxygen). The program gives us an exact control of thickness, so it provides us with standard thickness (90 micron).