



## FILTRAL 2500 UVC/5000 UVC

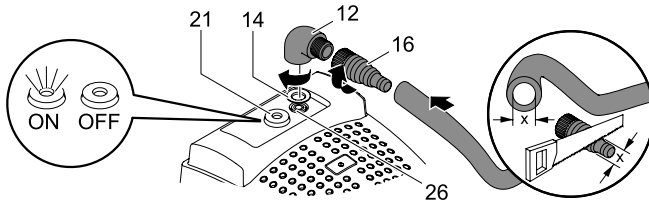
GB Operating instructions  
DE Gebrauchsanleitung



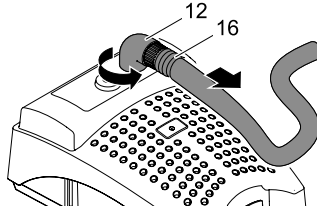
Filtral 2500 UVC

Filtral 5000 UVC

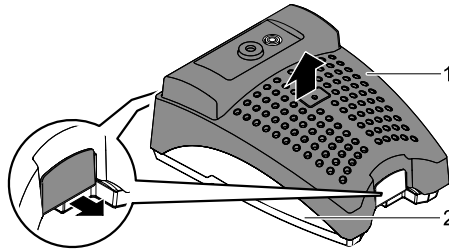
(A)



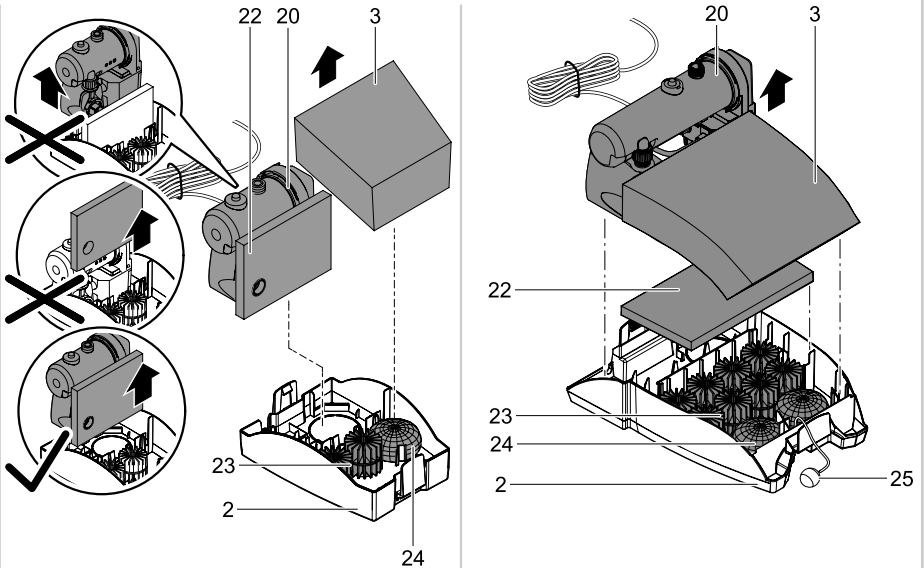
(B)

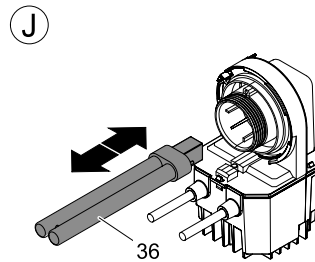
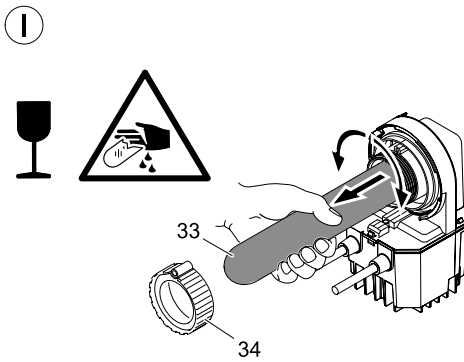
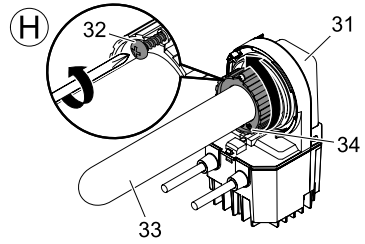
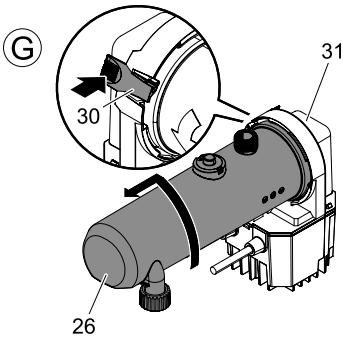
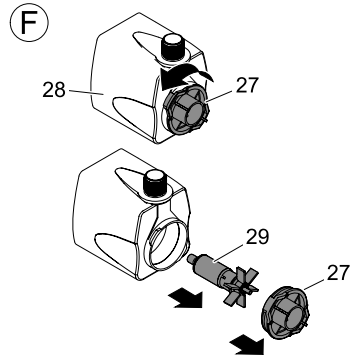
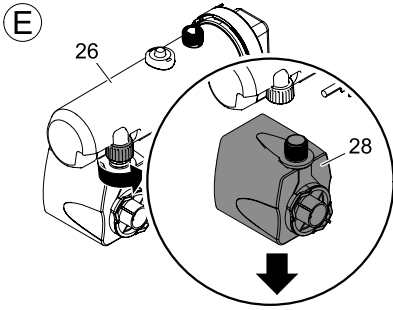


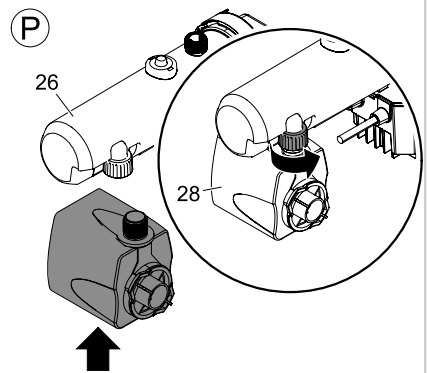
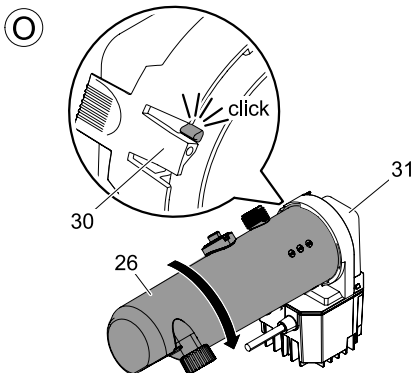
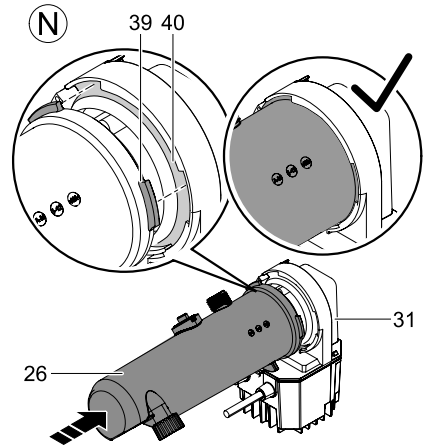
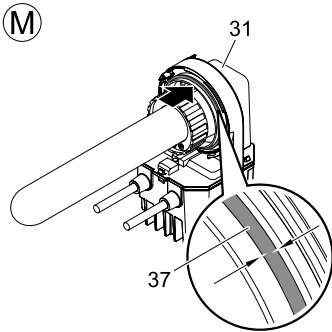
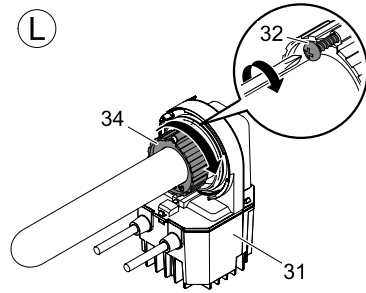
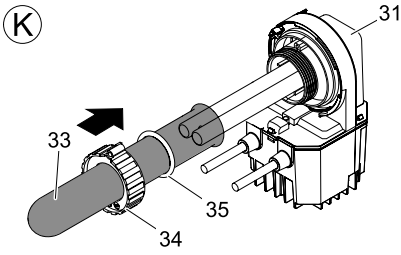
(C)



(D)



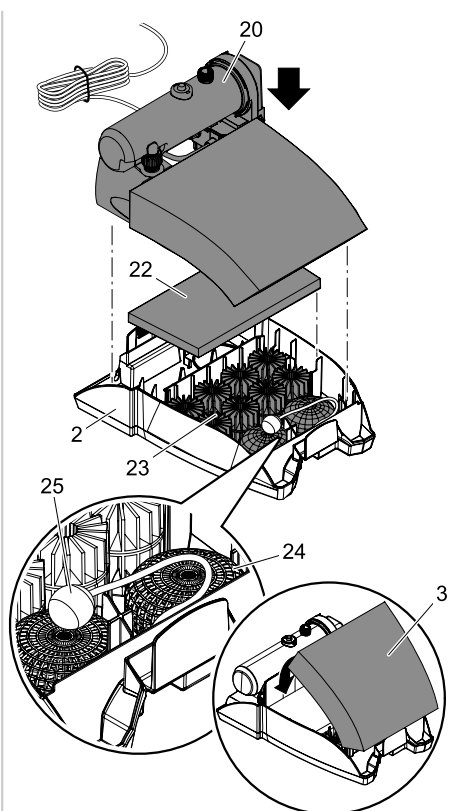
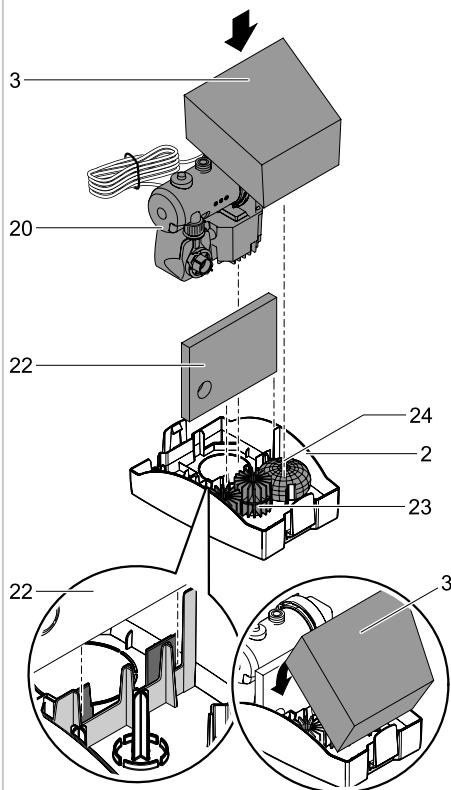




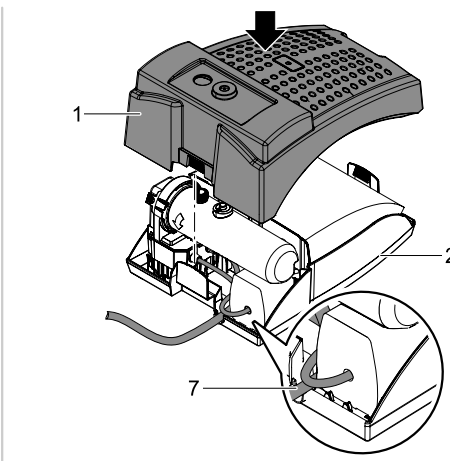
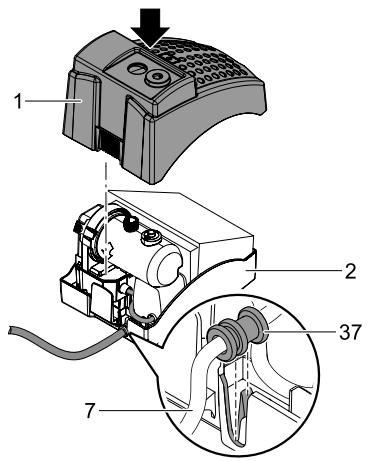
Filtral 2500 UVC

Filtral 5000 UVC

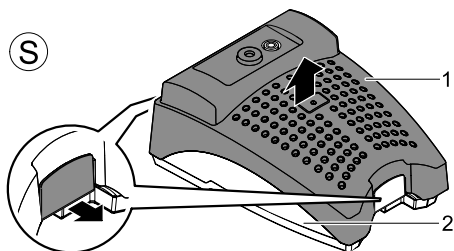
Q



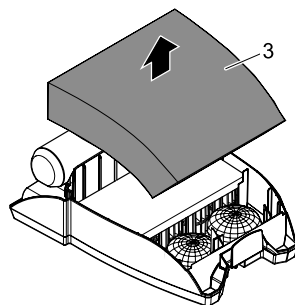
R



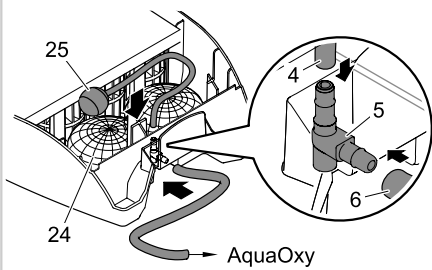
S



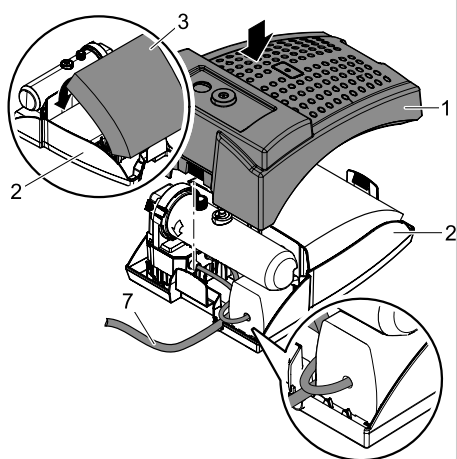
T



U



V



## Information about these operating instructions

Welcome to OASE Living Water. You made a good choice with the purchase of the product **Filtral 2500 UVC / 5000 UVC**.

Prior to commissioning the unit, please read the instructions of use carefully and fully familiarise yourself with the unit. Ensure that all work with this unit is only carried out in accordance with these instructions.

Adhere to the safety information for the correct and safe use of the unit.

Keep these instructions in a safe place! Please also hand over the instructions when passing the unit on to a new owner.

## Intended use

Filtral 2500 UVC / 5000 UVC, in the following termed "unit", may only be used for cleaning normal pond water. This also applies to all other components being part of our scope of delivery. Permissible water temperature: + 4 °C to + 35 °C. The unit may be used in ponds with and without fish.

Never use the unit

- without water flow and pump filter
- for industrial purposes
- in conjunction with chemicals, foodstuff, easily flammable or explosive substances
- in swimming or bathing ponds

The UVC lamp installed in the unit is intended to kill algae and bacteria in the pond water. Even in small doses, its radiation is harmful for eyes and skin. Never use the UVC lamp in a defective housing or outside the housing, or any other purpose other than that intended.

## Safety information

The company **OASE** has built this unit according to the state of the art and the valid safety regulations. Despite the above, hazards for persons and assets can emanate from this unit if it is used in an improper manner or not in accordance with its intended use, or if the safety instructions are ignored.

**For safety reasons, children and young persons under 16 years of age as well as persons who cannot recognise possible danger or who are not familiar with these operating instructions, are not permitted to use the unit.**

## Hazards encountered by the combination of water and electricity

- The combination of water and electricity can lead to death or severe injury from electrocution, if the unit is incorrectly connected or misused.
- Prior to reaching into the water, always switch off the mains voltage to all units used in the water.

## Correct electrical installation

- Electrical installations must meet the national regulations and may only be carried out by a qualified electrician.
- A person is regarded as a qualified electrician, if, due to his/her vocational education, knowledge and experience, he or she is capable of and authorised to judge and carry out the work commissioned to him/her. Working as a qualified person also includes the recognition of possible hazards and the adherence to the pertinent regional and national standards, rules and regulations.
- For your own safety, please consult a qualified electrician.
- The unit may only be connected when the electrical data of the unit and the power supply coincide. The unit data is to be found on the unit type plate or on the packaging, or in this manual.
- Ensure that the unit is fused for a rated fault current of max. 30 mA by means of a fault current protection device.
- Extension cables and power distributors (e.g. outlet strips) must be suitable for outdoor use.
- Ensure that the power connection cable cross section is not smaller than that of the rubber sheath with the identification H05RN-F. Extension cables must meet DIN VDE 0620.

## Safe operation

- Only operate the unit if no persons are in the water!
- Never operate the unit if either the electrical cables or the housing are defective!
- Do not carry or pull the unit by its electrical cable.
- Route all cables such that damage is excluded and nobody can trip over them.
- Never open the unit housing or its attendant components, unless this is explicitly required in the operating instructions.
- Only use original spare parts and accessories for the unit.
- Never carry out technical modifications to the unit.
- Only have repairs carried out by customer service points authorised by OASE.

## Installation

### Filtral 2500

#### Connecting the hose (Fig. A)

Screw the bend (12) on the connection thread of the UVC water housing (26) including the washer (14). If necessary, shorten the stepped hose adapter (16), screw on the bend (12) and fit the hose.

### Filtral 5000

#### Connecting the venting pump – option (Fig. S-V)

If you wish to enrich the water with additional oxygen, connect the venting pump (Aqua Oxy) prior to installing the unit. The Aqua Oxy scope of delivery includes the aeration stone and the hose.

Open the filter housing (Fig. S): Pull the clamps on both sides of the bottom strainer casing (2) to the side and lift off the top strainer casing (1). Remove the foam filter (3).

Connect the aeration stone (Fig. U): Inside the housing, connect the aeration stone (25) with a section of the hose (4) to the air connector (5) and place the aeration stone (25) between the gravel bags (24). Ensure that the hose is not kinked. Connect the aeration pump (Aqua Oxy) to the air connector (5) outside of the housing. Read the aeration pump documentation.

Close the filter housing (Fig. V): Place the foam filter (3) in the bottom strainer casing (2). Attach the top strainer casing (1) and press it onto the bottom strainer casing (2) until the clamps engage in the bottom strainer casing.

**Important:** Lead the connection cable (7) through the cable opening in the bottom strainer casing (2) and route the cable such that pinching is avoided.

#### Connecting the hose (Fig. A)

Screw the bend (12) on the connection thread of the UVC water housing (26) including the washer (14). If necessary, shorten the stepped hose adapter (16), screw on the bend (12) and fit the hose.

## Installation

### Set-up the unit

Place the unit in the pond on a horizontal, firm and sludge free ground and ensure that it is completely covered by water.



**Start-up**



**Attention! Dangerous electrical voltage.**  
**Possible consequences:** Death or severe injury.  
**Protective measures:**

- Prior to reaching into the water, switch off the mains voltage to all units used in the water.
- switch off the mains voltage prior to carrying out work on the unit.



**Attention! Sensitive electrical components.**  
**Possible consequence:** The unit will be destroyed.  
**Protective measure:** Do not connect the unit to a dimmable power supply.

**Switching on:** Switch on the mains voltage. The unit switches on immediately when the power connection is established.

**Switching off:** Switch off the mains voltage.

The indicator lamp (Fig. D, 21) indicates the ON/OFF status of the UVC lamp.

**Remedy of faults**

Malfunction	Cause	Remedy
The unit is not operating	No mains voltage	Check mains voltage
Delivery insufficient or not consistent Cloudy water	Excessive pressure losses in the hoses	Reduce hose length and connecting parts to a minimum, route hoses as straight as possible
	Intake openings blocked	Clean housing
	Filters clogged	Clean filters
	Rotor blocked	Clean rotor
	Pond extremely dirty	Remove algae and leaves from the pond, exchange the water
	Quartz glass tube soiled	Remove UVC clarifying unit and clean the quartz glass tube
UVC lamp does not light up	UVC lamp overheated. The temperature switch has switched off the lamp	The UVC lamp will automatically switch on again once cooled down
	UVC lamp defective	Replace the UVC lamp
	UVC lamp is not correctly seated in the socket	Correctly insert the UVC lamp into the socket
Unit switches off after a short running period	Water temperature too high	Note maximum water temperature of +35°

**Maintenance and cleaning**



**Attention! Dangerous electrical voltage.**  
**Possible consequences:** Death or severe injury.  
**Protective measures:**

- Prior to reaching into the water, switch off the mains voltage to all units used in the water.
- switch off the mains voltage prior to carrying out work on the unit.



**Attention! Ultra-violet radiation.**  
**Possible consequences:** Eye or skin injury from burns.  
**Protective measures:**

- Never operate the UVC lamp outside its housing.
- Never operate the UVC lamp in a housing that is defective.

**Filtral 2500: Opening the filter housing and cleaning the different filters (Fig. C, D)**

Unscrew the stepped hose adapter (16) prior to removing the bend (12). Pull the clamps on both sides of the bottom strainer casing (2) to the side and lift off the top strainer casing (1). Remove the foam filter (3) and the UVC clarifying unit including pump (20), and the fine foam filters (22), bio surface elements (23) and the gravel bag (24).

Clean the bottom strainer casing (2) and the top strainer casing (1) with clear water using a brush. Wash out foam filters (3, 22), bio-surface elements (23) and the gravel bag (24) under running water. Do not use chemical cleaning agents as they would kill the micro-organisms in the different filter media. At the beginning, this entails a reduced filter capacity.

**Filtral 5000: Opening the filter housing and cleaning the different filters (Fig. C, D)**

Unscrew the stepped hose adapter (16) prior to removing the bend (12). Pull the clamps on both sides of the bottom strainer casing (2) to the side and lift off the top strainer casing (1). Remove the UVC clarifying unit including pump (20), foam filters (3, 22), bio surface elements (23) and gravel bags (24). When the aeration stone (25) is connected, put it to the side. Clean the bottom strainer casing (2) and the top strainer casing (1) with clear water using a brush. Wash out foam filters (3, 22), bio-surface elements (23) and gravel bags (24) under running water. Do not use chemical cleaning agents as they would kill the micro-organisms in the different filter media. At the beginning, this entails a reduced filter capacity.

**Cleaning the pump (Fig. H, I)**

Unscrew pump (28) from the UVC water housing (26). Unscrew the pump lid (27) counter-clockwise (bayonet closure) and remove rotor (29). Clean all components using clean water and a brush. After cleaning the pump, reassemble in the reverse order.

**Opening and cleaning the UVC water housing (Fig. G, H)****Note!**

A safety switch prevents switching on the UVC lamp as long as the UVC water housing is removed.

The UVC water housing (26) is fastened to the unit head (31) by means of a bayonet closure. Press on the engagement lug (30) at the unit head (31), turn the UVC water housing (26) counter-clockwise and carefully pull it off the unit head (31). Clean the UVC water housing (26) under running water. Check the quartz glass (33) for damage and clean its outer face with a moist cloth.

**Note:** For an optimum filter performance, we recommend to replace the UVC lamp after approx. 8000 operating hours. Refer to 'Replace UVC lamp'.

**Closing the UVC water housing (Fig. M-O):**

Check the O ring (37) at the unit head (31) for damage. Place the O ring (37) on the recess at the unit head (31), then carefully push the UVC water housing (26) on the unit head (31) by applying medium pressure. While doing so, slightly turn the UVC water housing (26) to ensure that the tenons (39) and the grooves (40) of the bayonet closure intermesh. Turn the UVC water housing (26) clockwise against the stop and allow to engage.

**Filtral 2500: Assembly of the unit (Fig. P-R)**

Bolt the pump (28) to the UVC water housing (26) using the union nut. Insert fine foam filter (22) in the bottom strainer casing (2), place the bio surface elements (23) and the gravel bag (24) in the bottom strainer casing (2). Insert the UVC clarifying unit including the pump (20). Insert the foam filter (3). Attach the top strainer casing (1) and press it onto the bottom strainer casing (2) until the clamps engage in the bottom strainer casing. **Important:** Guide the connection cable (7) through the cable opening at the bottom strainer casing (2) and clip with the cable kink protection in the bottom strainer casing (37).

**Filtral 5000: Assembly of the unit (Fig. P-R)**

Bolt the pump (28) to the UVC water housing (26) using the union nut. Place the bio surface element (23) and gravel bags (24) in the bottom strainer casing (2). Place the aeration stone (25) between the gravel bags (24). Ensure that the hose is not kinked. Place the foam filters (3, 22) in the bottom strainer casing (2). Insert the UVC clarifying unit including the pump (20). Attach the top strainer casing (1) and press it onto the bottom strainer casing (2) until the clamps engage in the bottom strainer casing. **Important:** Lead the connection cable (7) through the cable opening in the bottom strainer casing (2) and route the cable such that pinching is avoided.

### UVC lamp replacement (Fig. H-L)



**Attention! Breakable glass.**

**Possible consequences:** Injury of your hands caused by cuts.

**Protective measures:** Handle both quartz glass and UVC lamp with care.



**Attention! Ultra-violet radiation.**

**Possible consequences:** Eye or skin injury from burns.

**Protective measures:**

- Never operate the UVC lamp outside its housing.
- Never operate the UVC lamp in a housing that is defective.
  
- Open the UVC water housing (see "Opening and cleaning the UVC water housing").
- Remove the self-tapping screw (32).
- Unscrew the clamping screw (34) from the unit head (31) by turning counter-clockwise.
- Pull off the quartz glass (33) and the O-ring (35) while slightly turning the unit head (31).
- Pull out the UVC lamp (36) and replace.

**Important:** Only use lamps the identification and capacity data of which correspond to the information on the type plate.

- Check the quartz glass (33) and the O ring (35) for damage.
- Insert the quartz glass (33) including the O ring (35) against the stop in the unit head (31).
- Tighten the clamping screw (34) clockwise up to the stop.
- Turn in and tighten the self-tapping screw (32).
- Close the UVC water housing (see "Closing the UVC water housing").

### Storage/Over-wintering

Remove the unit at temperatures below zero degrees centigrade. Thoroughly clean and check the unit for damage.

Store the unit immersed in water or filled with water at a frost-free place. Do not flood the power plug!

### Wearing parts

The UVC lamp, the different filters and the rotor are wear parts and are excluded from the warranty.

### Disposal



Do not dispose of this unit with domestic waste! For disposal purposes, please use the return system provided. Disable the unit beforehand by cutting off the cables.

Only dispose of the UVC lamp by using the return system provided for this purpose.

## Hinweise zu dieser Gebrauchsanleitung

Willkommen bei OASE Living Water. Mit dem Kauf des Produkks **Filtral 2500 UVC / 5000 UVC** haben Sie eine gute Wahl getroffen.

Lesen Sie vor der ersten Benutzung des Gerätes die Anleitung sorgfältig und machen Sie sich mit dem Gerät vertraut. Alle Arbeiten mit diesem Gerät dürfen nur gemäß der vorliegenden Anleitung durchgeführt werden.

Beachten Sie unbedingt die Sicherheitshinweise für den richtigen und sicheren Gebrauch.

Bewahren Sie diese Anleitung sorgfältig auf. Bei Besitzerwechsel geben Sie bitte die Anleitung weiter.

## Bestimmungsgemäße Verwendung

Filtral 2500 UVC / 5000 UVC, im weiteren "Gerät" genannt, darf ausschließlich zum Reinigen von normalem Teichwasser verwendet werden. Auch alle anderen Teile aus dem Lieferumfang dürfen nur in diesem Zusammenhang verwendet werden. Zulässige Wassertemperatur: + 4 °C bis + 35 °C. Das Gerät darf in Teichen mit oder ohne Fischbesatz verwendet werden.

Das Gerät darf niemals verwendet werden

- ohne Wasserdurchfluss und Pumpenfilter
- zum industriellen Einsatz
- in Verbindung mit Chemikalien, Lebensmitteln, leicht brennbaren oder explosiven Stoffen
- in Schwimm- und Badeteichen

Die in das Gerät eingebaute UVC-Lampe dient zum Abtöten von Algen und Bakterien im Teichwasser. Ihre Strahlung ist auch in geringen Dosierungen gefährlich für die Augen und die Haut. Die UVC-Lampe darf niemals in einem defekten Gehäuse oder ausserhalb ihres Gehäuses oder für andere Zwecke verwendet werden.

## Sicherheitshinweise

Die Firma **OASE** hat dieses Gerät nach dem aktuellen Stand der Technik und den bestehenden Sicherheitsvorschriften gebaut. Trotzdem können von diesem Gerät Gefahren für Personen und Sachwerte ausgehen, wenn das Gerät unsachgemäß bzw. nicht dem Verwendungszweck entsprechend eingesetzt wird oder wenn die Sicherheitshinweise nicht beachtet werden.

**Aus Sicherheitsgründen dürfen Kinder und Jugendliche unter 16 Jahren sowie Personen, die mögliche Gefahren nicht erkennen können oder nicht mit dieser Gebrauchsanleitung vertraut sind, dieses Gerät nicht benutzen.**

## Gefahren durch die Kombination von Wasser und Elektrizität

- Die Kombination von Wasser und Elektrizität kann bei nicht vorschriftsmäßigem Anschluss oder unsachgemäßer Handhabung zum Tod oder zu schweren Verletzungen durch Stromschlag führen.
- Bevor Sie in das Wasser greifen, immer alle im Wasser befindlichen Geräte spannungsfrei schalten.

## Vorschriftsmäßige elektrische Installation

- Elektrische Installationen müssen den nationalen Errichterbestimmungen entsprechen und dürfen nur von einer Elektrofachkraft vorgenommen werden.
- Eine Person gilt als Elektrofachkraft, wenn sie auf Grund ihrer fachlichen Ausbildung, Kenntnisse und Erfahrungen befähigt und berechtigt ist, die ihr übertragenen Arbeiten zu beurteilen und durchzuführen. Das Arbeiten als Fachkraft umfasst auch das Erkennen möglicher Gefahren und das Beachten einschlägiger regionaler und nationaler Normen, Vorschriften und Bestimmungen.
- Bei Fragen und Problemen wenden Sie sich an eine Elektrofachkraft.
- Der Anschluss des Gerätes ist nur erlaubt, wenn die elektrischen Daten von Gerät und Stromversorgung übereinstimmen. Die Gerätedaten befinden sich auf dem Typenschild am Gerät, oder auf der Verpackung, oder in dieser Anleitung.
- Das Gerät muss über eine Fehlerstrom-Schutzeinrichtung mit einem Bemessungsfehlerstrom von maximal 30 mA abgesichert sein.
- Verlängerungsleitungen und Stromverteiler (z.B. Steckdosenleisten) müssen für die Verwendung im Freien geeignet sein (spritzwassergeschützt).
- Netzanschlussleitungen dürfen keinen geringeren Querschnitt haben als Gummischlauchleitungen mit dem Kurzzeichen H05RN-F. Verlängerungsleitungen müssen der DIN VDE 0620 genügen.

## Sicherer Betrieb

- Betreiben Sie das Gerät nur, wenn sich keine Personen im Wasser aufhalten!
- Bei defekten elektrischen Leitungen oder defektem Gehäuse darf das Gerät nicht betrieben werden.
- Tragen oder ziehen Sie das Gerät nicht an der elektrischen Leitung.
- Verlegen Sie alle Leitungen geschützt, so dass Beschädigungen ausgeschlossen sind und niemand darüber fallen kann.
- Öffnen Sie niemals das Gehäuse des Gerätes oder zugehöriger Teile, wenn Sie nicht ausdrücklich in der Anleitung dazu aufgefordert werden.
- Verwenden Sie nur Original-Ersatzteile und -Zubehör für das Gerät.
- Nehmen Sie niemals technische Änderungen am Gerät vor.
- Lassen Sie Reparaturen nur von OASE-autorisierten Kundendienststellen durchführen.

## Montage

### Filtral 2500

#### Schlauch anschließen (Bild A)

Den Bogen (12) mit dem Unterlegtring (14) auf das Anschlussgewinde vom UVC-Wassergehäuse (26) schrauben. Die Stufenschlauchtülle (16) gegebenenfalls kürzen, auf den Bogen (12) schrauben und Schlauch aufstecken.

### Filtral 5000

#### Belüftungspumpe anschließen - Option (Bild S-V)

Wenn Sie das Wasser zusätzlich mit Sauerstoff anreichern möchten, müssen Sie vor der Montage des Gerätes die Belüftungspumpe (Aqua Oxy) anschließen. Belüfterstein und Schlauch gehören zum Lieferumfang der Aqua Oxy.

Filtergehäuse öffnen (Bild S): Auf beiden Seiten die Klammern an der Filter-Unterschale (2) zur Seite ziehen und Filter-Oberschale (1) nach oben abheben. Den Filterschaum (3) entnehmen.

Belüfterstein anschließen (Bild U): Im Gehäuse den Belüfterstein (25) mit einem Stück Schlauch (4) an das Luftanschlusstück (5) anschließen und den Belüfterstein (25) zwischen die Kiessäcke (24) legen. Der Schlauch darf nicht knicken. Am Luftanschlusstück (5) außerhalb des Gehäuses die Belüftungspumpe (Aqua Oxy) anschließen. Lesen Sie die Dokumentation zur Belüftungspumpe.

Filtergehäuse schließen (Bild V): Filterschaum (3) in die Filter-Unterschale (2) legen. Filter-Oberschale (1) aufsetzen und auf die Filter-Unterschale (2) drücken, bis die Klammern an der Filter-Unterschale einrasten.

**Wichtig:** Anschlussleitung (7) durch die Kabelöffnung an der Filter-Unterschale (2) führen und so verlegen, dass sie nicht gequetscht wird.

#### Schlauch anschließen (Bild A)

Den Bogen (12) mit dem Unterlegtring (14) auf das Anschlussgewinde vom UVC-Wassergehäuse (26) schrauben. Die Stufenschlauchtülle (16) gegebenenfalls kürzen, auf den Bogen (12) schrauben und Schlauch aufstecken.

## Aufstellen

### Gerät aufstellen

Das Gerät im Teich waagrecht auf einen festen, schlammfreien Untergrund aufstellen, so dass es komplett mit Wasser bedeckt ist.

**Inbetriebnahme**



**Achtung! Gefährliche elektrische Spannung.**  
**Mögliche Folgen:** Tod oder schwere Verletzungen.  
**Schutzmaßnahmen:**

- Bevor Sie ins Wasser greifen, Netzspannung aller im Wasser befindlichen Geräte abschalten.
- Vor Arbeiten am Gerät Netzspannung abschalten.



**Achtung! Empfindliche elektrische Bauteile.**

**Mögliche Folge:** Das Gerät wird zerstört.

**Schutzmaßnahme:** Gerät nicht an eine dimmbare Stromversorgung anschließen.

**Einschalten:** Netzspannung einschalten. Das Gerät schaltet sich sofort ein, wenn die Stromverbindung hergestellt ist.

**Ausschalten:** Netzspannung ausschalten.

Die Schauluchte (Bild D, 21) zeigt an, ob die UVC-Lampe in Betrieb ist.

**Störungsbeseitigung**

Störung	Ursache	Abhilfe
Das Gerät läuft nicht	Netzspannung fehlt	Netzspannung überprüfen
Förderleistung ungenügend oder unregelmäßig Wasser nicht klar	Zu hohe Druckverluste in den Leitungen	Schlauchlänge und Verbindungsteile auf Minimum reduzieren, Schläuche möglichst gerade verlegen
	Einlassöffnungen verstopft	Gehäuse reinigen
	Filtermedien verschmutzt	Filtermedien reinigen
	Rotor blockiert	Rotor reinigen
	Teich ist extrem verschmutzt	Algen und Blätter aus dem Teich entfernen, Wasser tauschen
	Quarzglasrohr ist verschmutzt	UVC-Vorklärgerät ausbauen und Quarzglasrohr reinigen
UVC-Lampe leuchtet nicht	Lampe überhitzt. Temperaturwächter hat die Lampe abgeschaltet	Nach Abkühlung schaltet sich die Lampe wieder automatisch ein
	UVC-Lampe defekt	UVC-Lampe austauschen
	UVC-Lampe sitzt nicht richtig in der Fassung	UVC-Lampe richtig in die Fassung stecken
	Gerät schaltet nach kurzer Laufzeit ab	Wassertemperatur zu hoch

**Reinigung und Wartung**



**Achtung! Gefährliche elektrische Spannung.**

**Mögliche Folgen:** Tod oder schwere Verletzungen.

**Schutzmaßnahmen:**

- Bevor Sie ins Wasser greifen, Netzspannung aller im Wasser befindlichen Geräte abschalten.
- Vor Arbeiten am Gerät Netzspannung abschalten.



**Achtung! Ultraviolette Strahlung.**

**Mögliche Folgen:** Verletzen von Augen oder Haut durch Verbrennen.

**Schutzmaßnahmen:**

- UVC-Lampe niemals außerhalb des Gehäuses betreiben.
- UVC-Lampe niemals in einem defekten Gehäuse betreiben.

**Filtral 2500: Filtergehäuse öffnen und Filtermedien reinigen (Bild C, D)**

Erst Stufenschaluchttülle (16), dann Bogen (12) abschrauben. Auf beiden Seiten die Klammern an der Filter-Unterschale (2) zur Seite ziehen und Filter-Oberschale (1) nach oben abheben. Filterschaum (3), UVC-Vorklärgerät zusammen mit Pumpe (20) und Filterfeinschaum (22), Bioflächenelemente (23) und Kiessack (24) entnehmen.

Filter-Unterschale (2) und Filter-Oberschale (1) mit klarem Wasser und einer Bürste reinigen. Filterschäume (3, 22), Bioflächenelemente (23) und Kiessack (24) unter fließendem Wasser auswaschen. Keine chemischen Reinigungsmittel verwenden, da diese die Mikroorganismen in den Filtermedien abtöten. Das führt zu einer anfänglich verminderten Filterleistung.

### Filtral 5000: Filtergehäuse öffnen und Filtermedien reinigen (Bild C, D)

Erst Stufenschaluchttülle (16), dann Bogen (12) abschrauben. Auf beiden Seiten die Klammern an der Filter-Unterschale (2) zur Seite ziehen und Filter-Oberschale (1) nach oben abheben. UVC-Vorklärgerät mit Pumpe (20), Filterschäume (3, 22), Bioflächenelemente (23) und Kiessäcke (24) entnehmen. Eventuell angeschlossenen Belüfterstein (25) zur Seite legen. Filter-Unterschale (2) und Filter-Oberschale (1) mit klarem Wasser und einer Bürste reinigen. Filterschäume (3, 22), Bioflächenelemente (23) und Kiessäcke (24) unter fließendem Wasser auswaschen. Keine chemischen Reinigungsmittel verwenden, da diese die Mikroorganismen in den Filtermedien abtöten. Das führt zu einer anfänglich verminderten Filterleistung.

### Pumpe reinigen (Bild H, I)

Pumpe (28) vom UVC-Wassergehäuse (26) abschrauben. Pumpendeckel (27) gegen den Uhrzeigersinn aufdrehen (Bajonettverschluss) und Rotor (29) entnehmen. Alle Teile mit klarem Wasser und einer Bürste reinigen. Nach dem Reinigen die Pumpe in umgekehrter Reihenfolge zusammenbauen.

### UVC-Wassergehäuse öffnen und reinigen (Bild G, H)



#### Hinweis!

Aufgrund eines Sicherheitsschalters kann bei abgenommenem UVC-Wassergehäuse die UVC-Lampe nicht eingeschaltet werden.

Das UVC-Wassergehäuse (26) ist mit einem Bajonettverschluss am Gerätekopf (31) befestigt. Auf die Rastzunge (30) am Gerätekopf (31) drücken, das UVC-Wassergehäuse (26) gegen den Uhrzeigersinn drehen und vorsichtig vom Gerätekopf (31) abziehen. UVC-Wassergehäuse (26) unter fließendem Wasser reinigen. Das Quarzglas (33) auf Beschädigungen prüfen und von außen mit einem feuchten Tuch reinigen.

**Hinweis:** Für eine optimale Filterleistung sollten Sie die UVC-Lampe nach ca. 8000 Betriebsstunden ersetzen. Siehe "UVC-Lampe ersetzen".

### UVC-Wassergehäuse schließen (Bild M-O)

Am Gerätekopf (31) den O-Ring (37) auf Beschädigungen prüfen. Den O-Ring (37) auf den Absatz am Gerätekopf (31) setzen und das UVC-Wassergehäuse (26) vorsichtig und mit mittlerem Druck auf den Gerätekopf (31) schieben. Dabei das UVC-Wassergehäuse (26) etwas verdrehen, damit Zapfen (39) und Nuten (40) des Bajonettverschlusses ineinander greifen. UVC-Wassergehäuse (26) im Uhrzeigersinn bis zum Anschlag drehen und einrasten lassen.

### Filtral 2500: Gerät zusammenbauen (Bild P-R)

Pumpe (28) mit Überwurfmutter am UVC-Wassergehäuse (26) festschrauben. Filterfeinschaum (22) in die Filter-Unterschale (2) einsetzen, Bioflächenelemente (23) und Kiessack (24) in die Filter-Unterschale (2) legen. UVC-Vorklärgerät mit Pumpe (20) einsetzen. Filterschaum (3) einlegen. Filter-Oberschale (1) aufsetzen und auf die Filter-Unterschale (2) drücken, bis die Klammern an der Filter-Unterschale einrasten. **Wichtig:** Anschlussleitung (7) durch die Kabelöffnung an der Filter-Unterschale (2) führen und mit dem Kabelknickschutz in der Filter-Unterschale einklippen (37).

### Filtral 5000: Gerät zusammenbauen (Bild P-R)

Pumpe (28) mit Überwurfmutter am UVC-Wassergehäuse (26) festschrauben. Die Bioflächenelemente (23) und Kiessäcke (24) in die Filter-Unterschale (2) legen. Den Belüfterstein (25) zwischen die Kiessäcke (24) legen. Der Schlauch darf nicht knicken. Filterschäume (3, 22) in die Filter-Unterschale (2) legen. UVC-Vorklärgerät mit Pumpe (20) einsetzen. Filter-Oberschale (1) aufsetzen und auf die Filter-Unterschale (2) drücken, bis die Klammern an der Filter-Unterschale einrasten. **Wichtig:** Anschlussleitung (7) durch die Kabelöffnung an der Filter-Unterschale (2) führen und so verlegen, dass sie nicht gequetscht wird.

## UVC-Lampe ersetzen (Bild H-L)



### **Achtung! Zerbrechliches Glas.**

**Mögliche Folgen:** Schnittverletzung an den Händen.

**Schutzmaßnahmen:** Vorsichtig mit Quarzglas und UVC-Lampe umgehen.



### **Achtung! Ultraviolette Strahlung.**

**Mögliche Folgen:** Verletzen von Augen oder Haut durch Verbrennen.

**Schutzmaßnahmen:**

- UVC-Lampe niemals außerhalb des Gehäuses betreiben.
- UVC-Lampe niemals in einem defekten Gehäuse betreiben.

- UVC-Wassergehäuse öffnen (siehe "UVC-Wassergehäuse öffnen und reinigen").
- Blechschraube (32) herausdrehen.
- Klemmschraube (34) gegen den Uhrzeigersinn vom Gerätekopf (31) abdrehen.
- Quarzglas (33) und O-Ring (35) mit einer leichten Drehbewegung vom Gerätekopf (31) abziehen.
- UVC-Lampe (36) herausziehen und ersetzen.

**Wichtig:** Verwenden Sie nur Lampen, deren Bezeichnung und Leistungsangabe mit den Angaben auf dem Typenschild übereinstimmen.

- Quarzglas (33) und O-Ring (35) auf Beschädigungen prüfen.
- Quarzglas (33) mit O-Ring (35) bis zum Anschlag in den Gerätekopf (31) einsetzen.
- Klemmschraube (34) im Uhrzeigersinn bis zum Anschlag festdrehen.
- Blechschraube (32) eindrehen und festziehen.
- UVC-Wassergehäuse schließen (siehe "UVC-Wassergehäuse schließen").

## Lagern/Überwintern

Bei Frost muss das Gerät deinstalliert werden. Führen Sie eine gründliche Reinigung durch und prüfen Sie das Gerät auf Beschädigungen.

Bewahren Sie das Gerät in Wasser getaucht oder mit Wasser befüllt und frostfrei auf. Den Stecker nicht überfluten!

## Verschleißteile

Die UVC-Lampe, die Filtermedien und der Rotor sind Verschleißteile und unterliegen nicht der Gewährleistung.

## Entsorgung








Dieses Gerät darf nicht als Hausmüll entsorgt werden! Nutzen Sie bitte das dafür vorgesehene Rücknahmesystem. Machen Sie das Gerät vorher durch Abschneiden der Kabel unbrauchbar.

Entsorgen Sie die UVC-Lampe über das dafür vorgesehene Rücknahmesystem.



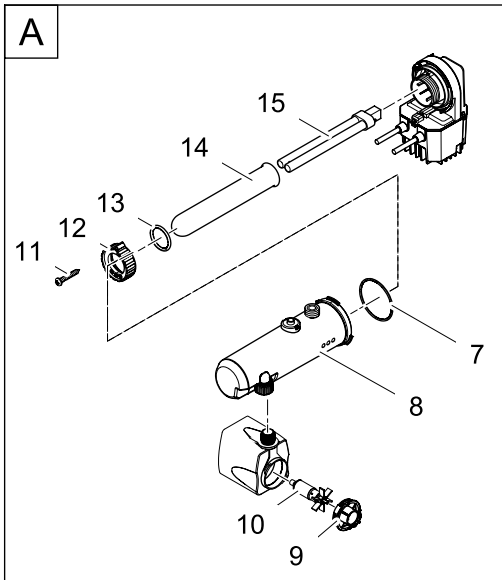
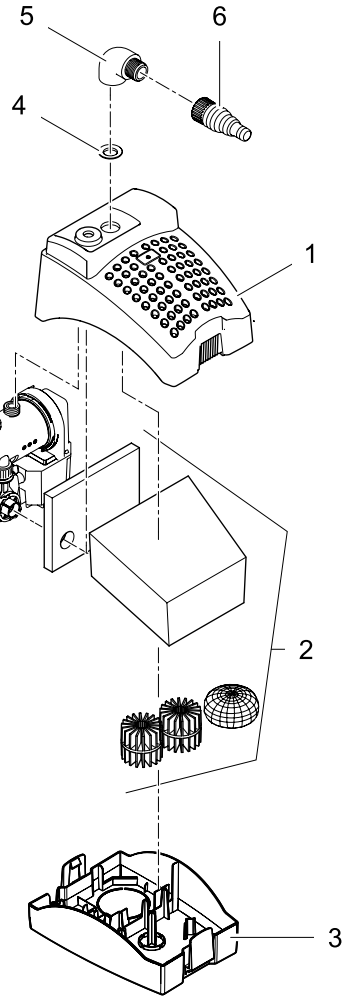
## Technical data

DE	Abmessungen	Gewicht	Bemessungsspannung	Leistungsaufnahme	UVC-Lampe	Anschluss Druckseite	Max. Förderleistung	Max. Wasserstauhöhe	Filterfläche	Teichgröße mit Fischbesatz	Teichgröße ohne Fischbesatz	Kabellänge
<b>GB</b>	Dimensions	Weight	Rated voltage	Power consumption	UVC lamp	Connection, pressure side	Max. flow rate	Max. head height	Filter surface	Pond size with fish population	Pond size w/o fish population	Cable length
<b>Filtral 2500 UVC</b>	247×183×160 mm	3.3 kg	AC 230 V, 50 Hz	20 W	7 W TC-S (UV-C)	1/2"	600 l/h	1.3 m	232 cm²	≤ 2.5 m³	≤ 2.5 m³	10 m
<b>Filtral 5000 UVC</b>	380×290×160 mm	4.5 kg	AC 230 V, 50 Hz	35 W	11 W TC-S (UV-C)	1/2"	1100 l/h	2.3 m	564 cm²	≤ 2.5 m³	≤ 5 m³	10 m

	<b>IP 68</b>  2 m		Bei Frost das Gerät deinstallieren!			
<b>DE</b>	Staubdicht. Wasserdicht bis 2 m Tiefe.	Achtung! Gefährliche UVC-Strahlung!	Bei Frost das Gerät deinstallieren!	Zerbrechlich, mit Vorsicht behandeln. Achtung! Gefahr von Schnittverletzungen.	Nicht mit normalem Hausmüll entsorgen!	Achtung! Lesen Sie die Gebrauchsanweisung
<b>GB</b>	Dust tight. Submersible to 2 m depth.	Attention! Dangerous UVC radiation!	Remove the unit at temperatures below zero (centigrade).	Breakable, handle with care. Attention! Risk of injury from cuts.	Do not dispose of together with household waste!	Attention! Read the operating instructions

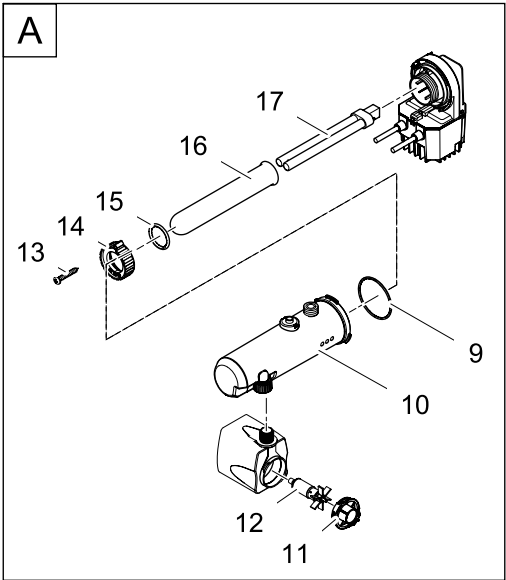
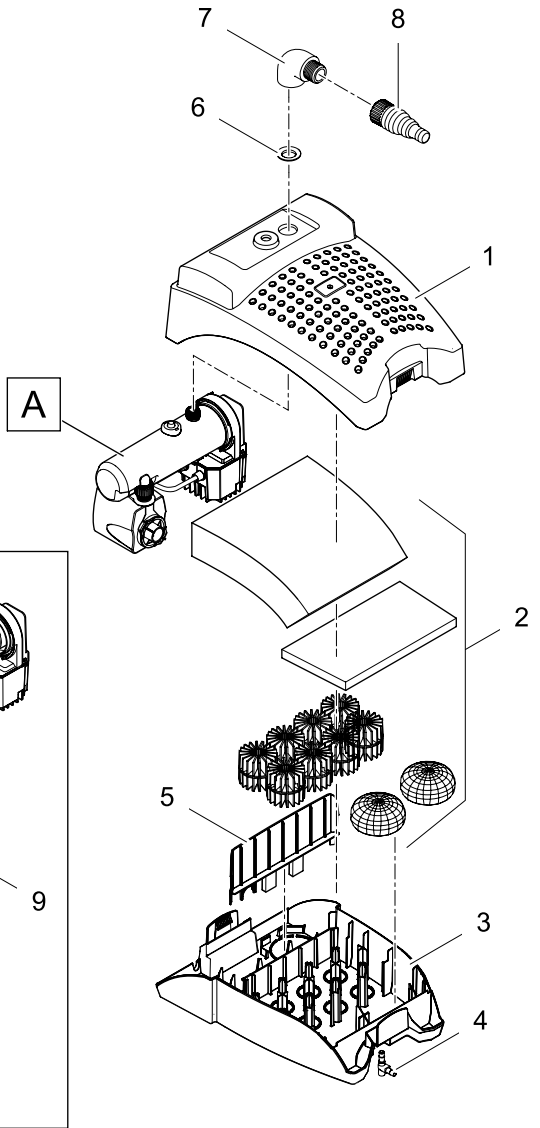
Filtral 2500 UVC

Pos.	
1	14041
2	13705
3	13623
4	29388
5	20191
6	23641
7	28553
8	13965
9	35762
10	35897
11	27891
12	12049
13	19475
14	13646
15	57111
A	13966



Filtral 5000 UVC

Pos.	
1	14043
2	35836
3	29382
4	35087
5	29386
6	29388
7	20191
8	23641
9	28553
10	35872
11	35770
12	35755
13	27891
14	12049
15	19475
16	22622
17	56112
[A]	35874





OASE GmbH · [www.oase-livingwater.com](http://www.oase-livingwater.com)

Tecklenburger Straße 161 · 48477 Hörstel · Postfach 20 69 · 48469 Hörstel · Germany