

**Oase:**  
LIVING WATER



2016

# ERSATZTEILKATALOG SPARE PART CATALOGUE

OASE – PASSIONATE ABOUT WATER.





*Dear OASE trade partner,*

*On the following pages you will find spare parts for all products in the OASE product line for the current season 2016, as well as for products that have been discontinued in recent years. The spare parts are sorted simply and logically according to the respective product segment.*

*OASE always stocks spare parts for at least 5 years, in some cases up to 8 years from the last production date.*

*If for economic and/or technical reasons, spare parts delivery within the five years cited above is not possible, OASE offers a successor or replacement product.*

*More information concerning the extensive product range, as well as the 2016 new products, is available at [www.oase-livingwater.com](http://www.oase-livingwater.com).*

*Your OASE Team*

Sehr geehrte OASE Handelspartner,

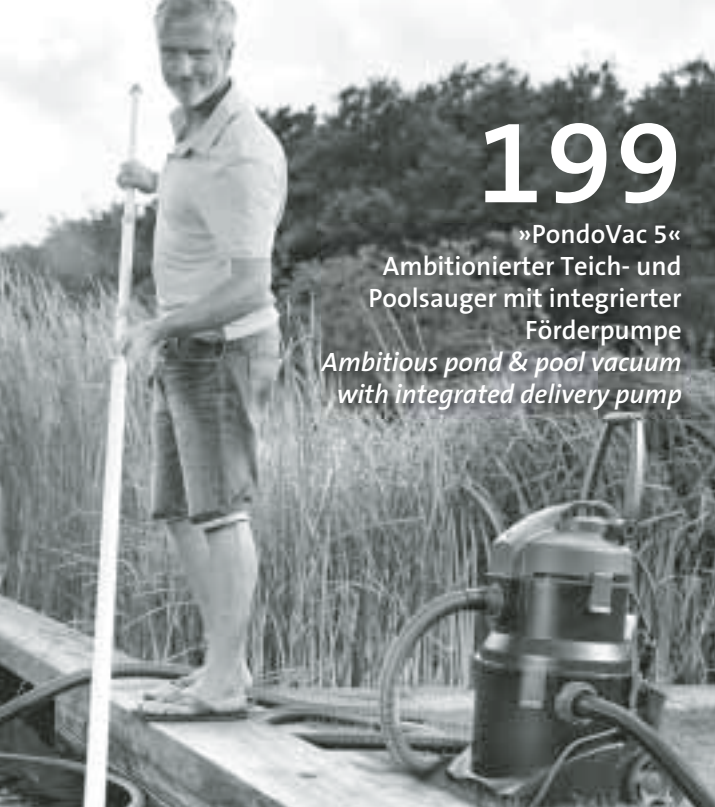
auf den nachfolgenden Seiten finden Sie Ersatzteile aller Produkte der aktuellen Saison 2016 sowie die der in den letzten Jahren ausgelaufenen Produkte des OASE-Sortiments. Einfach und logisch nach dem jeweiligen Produktsegment sortiert.

OASE bevorratet Ersatzteile grundsätzlich mindestens 5 Jahre, in einzelnen Fällen bis zu 8 Jahre nach dem letzten Produktionsdatum.

Sofern aus wirtschaftlichen und/oder produktionstechnischen Gründen keine Ersatzteillieferung innerhalb der oben genannten fünf Jahre möglich ist, bietet OASE ein Nachfolge- oder Ersatzprodukt an.

Mehr Informationen zu dem umfangreichen Produktsortiment, sowie den Neuheiten 2016, finden Sie auf [www.oase-livingwater.com](http://www.oase-livingwater.com).

Ihr OASE Team



# 199

»PondoVac 5«  
Ambitionierter Teich- und  
Poolsauger mit integrierter  
Förderpumpe  
*Ambitious pond & pool vacuum  
with integrated delivery pump*



# 152

»ProfiClear Premium Compact«  
Die kompakt-kraftvolle  
Alternative für kleine Teiche  
*The compact-powerful  
alternative for smaller ponds*



# 216

»LunAqua Power LED«  
Klein und kompakt  
mit großer Leuchtkraft  
*Small and compact with  
high-power radiance*

## WASSERSPIELE & WASSERSPIELPUMPEN / FOUNTAINS PUMPS & FOUNTAIN PUMPS

### Wasserspiele / Fountains

Water Starlet.....	6
Water Trio.....	7
Water Quintet.....	9
Water Quintet Creative.....	11
Water Jet Lightning.....	12
JumpingJet Rainbow Star Set.....	14
JumpingJet Rainbow Star Erweiterungsset.....	14
LunaLed Creative Set.....	16

### Brunnenpumpen & Fontänenpumpen / Statuary pumps & Fountain pumps

Aquarius Universal Classic.....	17
Aquarius Universal / Premium / Expert.....	19 – 23
Aquarius Fountain Sets.....	24 – 27
Nautilus.....	28
Aquarius Solar.....	30

### Schwimmfontänen

PondJet Eco.....	31
PondJet.....	32
MIDI II 1,1 kW / 230 V.....	33
MAXI II 4,0 kW / 400 V.....	33

## FILTERPUMPEN & BACHLAUFPUMPEN / FILTER PUMPS & WATERCOURSE PUMPS

### Filterpumpen & Bachlaufpumpen / Filter pumps & Watercourse pumps

AquaMax Eco Classic 2500.....	34
AquaMax 2000.....	35
AquaMax Eco Classic.....	36 – 37
AquaMax Eco.....	38
AquaMax 3500.....	39
AquaMax Eco Premium.....	40 – 45
AquaMax Eco R / AquaMax Eco.....	46
AquaMax Eco CWS.....	47
AquaMax.....	48
AquaMax Eco Premium 12 V.....	49 – 51
AquaMax Eco 12 V.....	52
AquaMax Eco Twin.....	53
Promax.....	55
AquaMax Eco Expert.....	56
AquaMax Eco Control.....	57

## FILTERPUMPEN & BACHLAUFPUMPEN / FILTER PUMPS & WATERCOURSE PUMPS

### Filterpumpen & Bachlaufpumpen / Filter pumps & Watercourse pumps

AquaMax Expert.....	58
AquaMax Eco Titanium.....	59
AquaMax Eco Gravity.....	60
AquaMax Dry.....	61
Ersatzpumpe / Spare pump.....	62
Ersatzteilkoffer / Spare parts case.....	63

## FILTER, UVC & BELÜFTUNG / FILTERS, UVC & AERATORS

### Unterwasserfilter / Underwater filters

Filtral UVC.....	64 – 67
------------------	---------

### Druckfilter / Pressure filters

BioPress Sets.....	68 – 71
FiltoClear.....	72 – 77

### Durchlaufilter / Flow-through filters

BioSmart / BioSmart Sets.....	78 – 85
FiltoMatic CWS.....	86 – 90
BioTec.....	91 – 93
BioTec ScreenMatic.....	94 – 107
BioTec Premium 80000.....	108 – 113

### Modulare Durchlaufilter / Modular flow-through filters

ProfiClear Classic.....	114 – 131
ProfiClear Premium.....	132 – 150
ProfiClear Guard.....	151
ProfiClear Premium Compact gepumpt.....	152 – 158
ProfiClear Premium Compact Gravitation.....	159 – 164
ProfiClear Pumpenkammer Compact/Classic.....	165 – 169

### UVC-Klärer / UVC-clarifiers

Vitronic.....	168 – 170
Bitron / Bitron Eco.....	171 – 176
Bitron Gravity.....	177

### Teichbelüfter / Eisfreihalter / Zubehör / Pond aerators / Ice preventer / Accessories

AquaOxy.....	178 – 181
OxyTex.....	182
AquaAir.....	183
AirFlo.....	184
IceFree.....	185 – 186
ProfiClear Screendrive.....	187

59

»AquaMax Titanium«  
Perfekt für große  
Gravitationsfilteranlagen  
auch an Koiteichen  
*Perfect for large  
gravity-fed filter  
systems on Koi ponds*

224

»InScenio FM-Master WLAN«  
App in den Garten –  
endlich steuern Sie  
Ihre Technik per WLAN!  
*An App usable for the  
garden pond – at last,  
control your technology  
per WLAN!*

210

»Waterfall Illumination«  
LED-Wasserfallbeleuchtung für stilvolle  
Lichtakzente am Abend  
*LED waterfall lighting – for stylish light  
accents in the evening*

# Inhalt / Contents

## TEICHREINIGUNG & SKIMMER / POND CLEANING & SKIMMERS

### Oberflächenabsauger / Surface skimmers

SwimSkim 25 .....	188
SwimSkim 50 .....	189
AquaSkim 20 / 40 .....	190
AquaSkim Gravity.....	191
BioSys Skimmer + .....	192
ProfiSkim Premium .....	193
ProfiSkim 100 .....	194
Skimmer 250 .....	195

### Teichsauger & Poolsauger / Pond vacuums & Pool vacuums

PondoVac Classic .....	196
PondoVac 3 .....	197
PondoVac 4.....	198
PondoVac 5.....	199
PondoVac Premium .....	202

### Nützliche Teichhelfer / Useful pond helpers

EasyPick .....	204
FlexiCut 2 in 1 .....	205
Profi Fisch- und Teichkescher / Profi Fish and Pond net ..	206

### Wasseranalyse / Water analysis

AquaActiv Wasseranalyse Profi-Set .....	207
---	-----

## BELEUCHTUNG & STROM / ILLUMINATION & POWER

### LED-Scheinwerfer / LED spotlights

LunAqua Terra LED Sets .....	208
LunaLed .....	209
Waterfall Illumination .....	210
LunAqua Classic LED Sets .....	211
LunAqua 3 LED Sets .....	212
LunAqua Mini LED .....	213
LunAqua Maxi LED Solo / Sets .....	214
LunAqua 10 LED/01 .....	215

### Halogen-Scheinwerfer / Halogen spotlights

LunAqua Power LED Sets / W .....	216
LunAqua Micro Eco Set / Micro Set .....	217 – 218
LunAqua 2 / 12V / Set .....	219
LunAqua 3 Sets .....	220
ProfiLux 100 E .....	221
LunAqua 10 / LunAqua 35 Set .....	222
UWS K 300 .....	223

## BELEUCHTUNG & STROM / ILLUMINATION & POWER

### Strommanagement / Power management

InScenio FM-Master WLAN .....	224
InScenio .....	225

### Solarprogramm / Solar products

SolarSafe 17 / 41 .....	226
LunAqua Solar .....	227

## TEICHBAU & GARTENBAU / POND CONSTRUCTION & LANDSCAPING

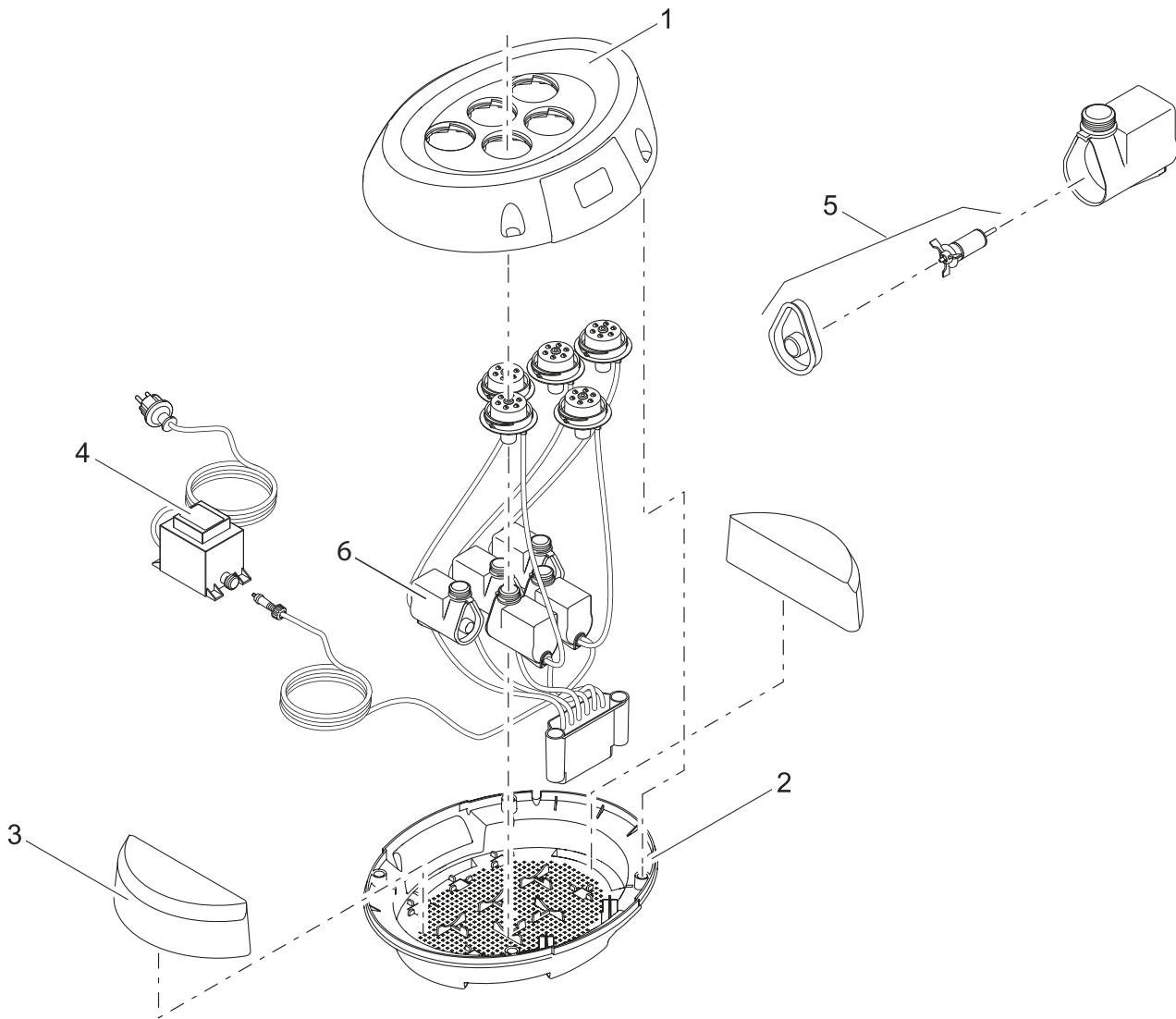
Waterfall / Sets .....	228
Edelstahl-Bachlaufschale / Stainless Steel Watercourses .....	229

## WISSENSWERTES / WORTH KNOWING

Reparatur von elektrischen Geräten / Repair of electrical devices .....	230 – 233
OASE Garantie / OASE Guarantee .....	232
Allgemeine Geschäftsbedingungen / General terms and conditions .....	233
Alphabetische Produktübersicht / Alphabetical product overview .....	235 – 237
Produktübersicht nach Artikelnr. / Product overview by item no. ....	238 – 240

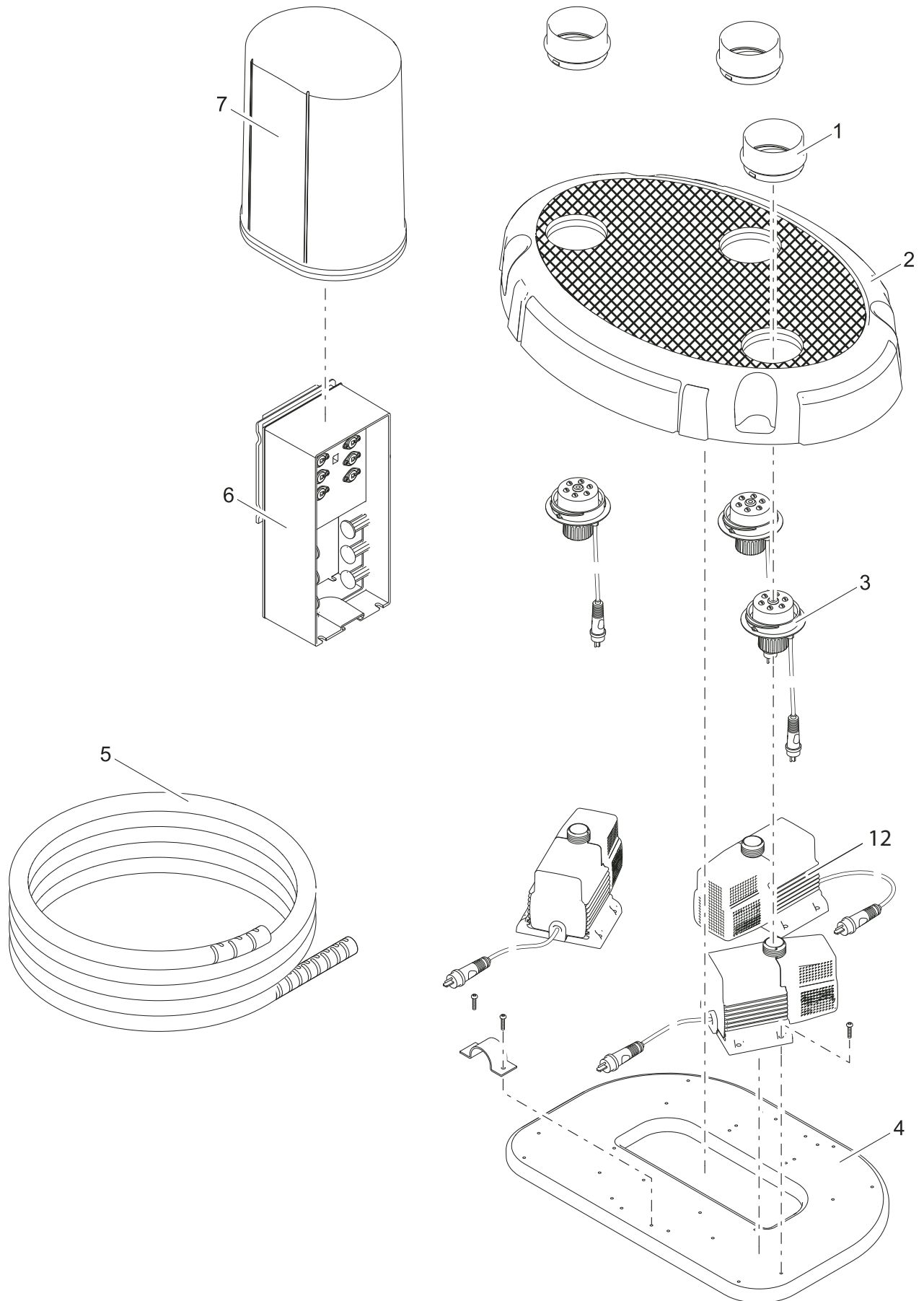
Produkt / Product

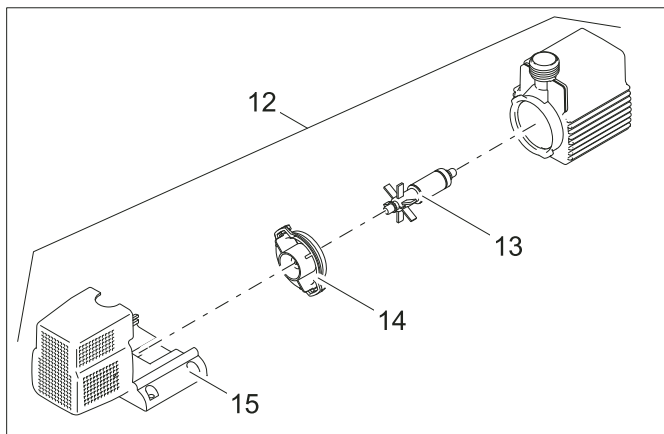
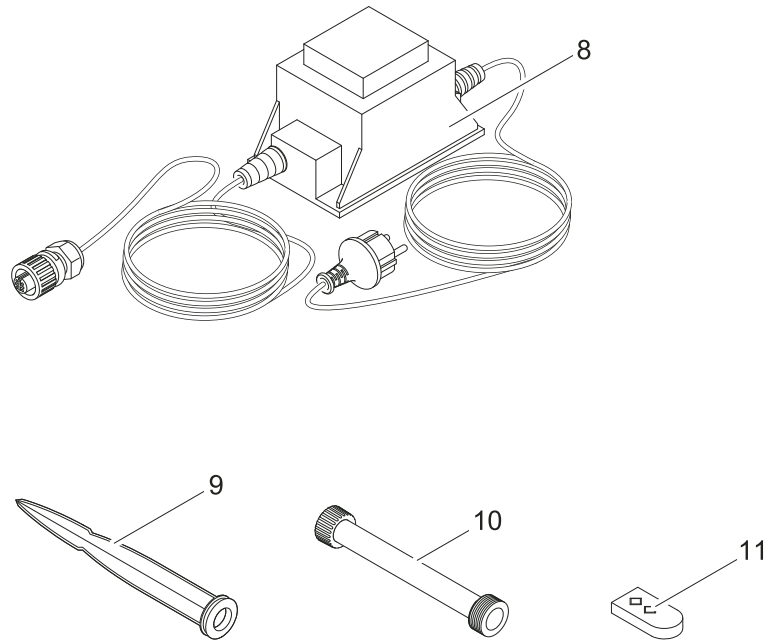
50214 Water Starlet



Pos.	Produkt / Product	Artikelnr. / Item no.	Ersatzteil	Spare part
1	Water Starlet	11834	Ersatz Gehäuse-OT Water Starlet m. Embl.	Spare housing Water Starlet incl sticker
2	Water Starlet	11835	Gehäuse Unterteil Water Starlet	Housing bottom part Water Starlet
3	Water Starlet	12293	Schwimmkörper Water Starlet	Float Water Starlet
4	Water Starlet	12126	Trafo DE-45-12W 1 Ausgang	Transformer DE-45-12W with 1 outlet
5	Water Starlet	12346	BG Ersatzrotor Water Starlet kpl.	ASM spare part rotor Water Starlet cpl.
6	Water Starlet	12347	BG LED Pumpe Reparaturset Water Starlet	ASM LED pump repair kit Water Starlet

Produkt / Product  
50240 Water Trio

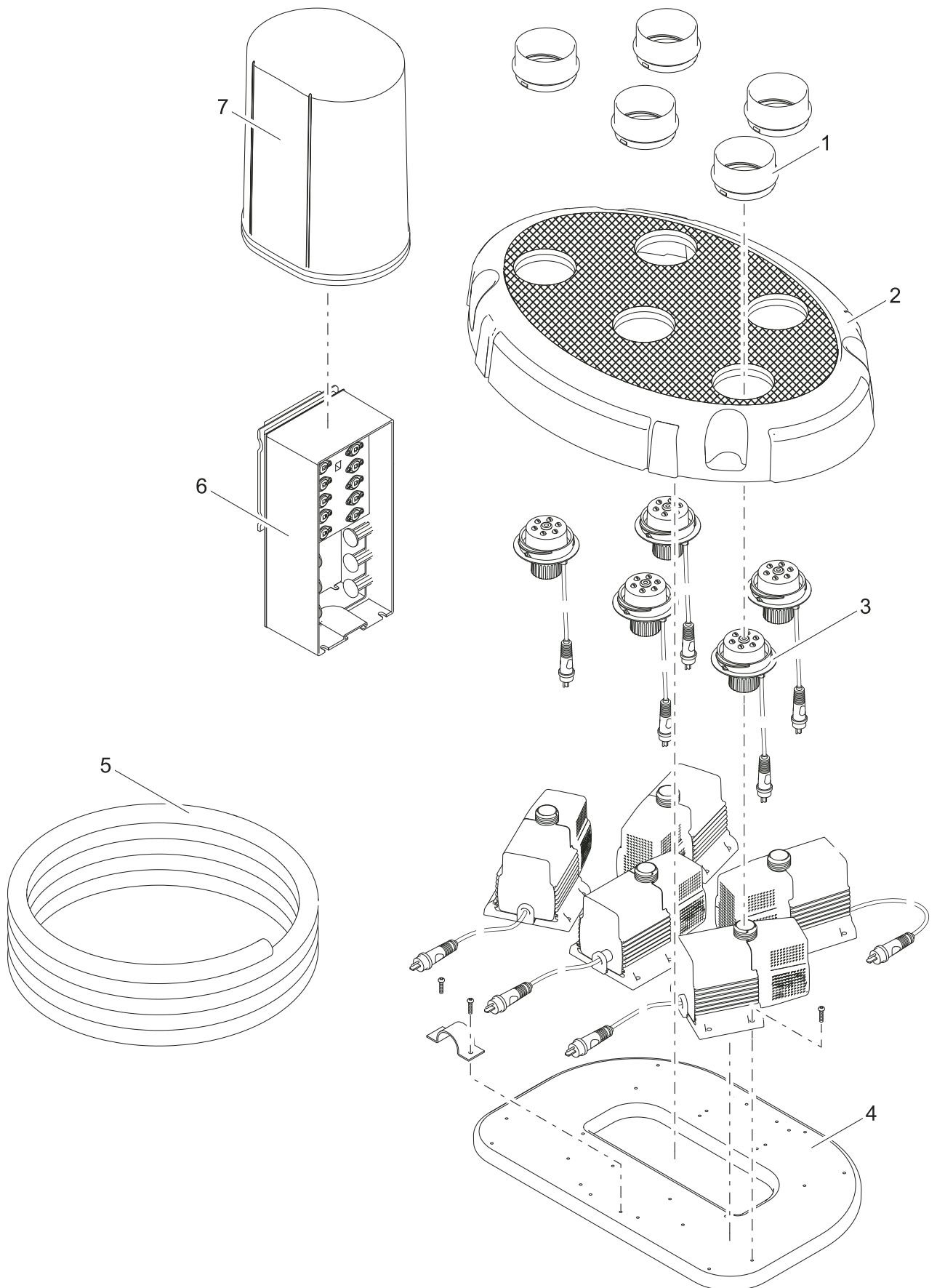


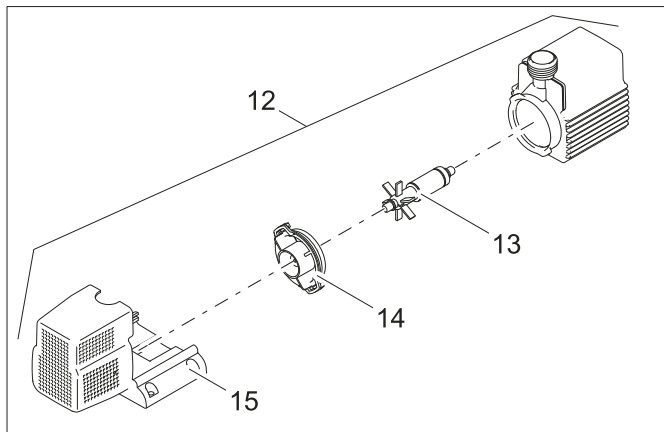
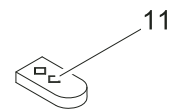
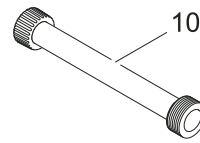
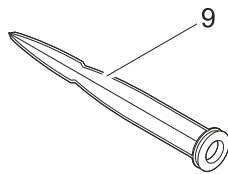
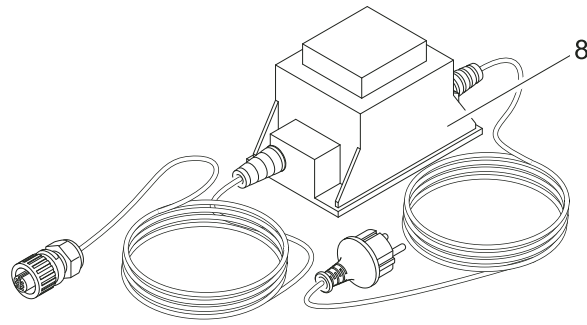


Pos.	Produkt / Product	Artikelnr. / Item no.	Ersatzteil	Spare part
1	Water Trio	11878	Düsen Schutz	Nozzle protector
2	Water Trio	11999	BG Abdeckung Water Trio	ASM top cover Water Trio
3	Water Trio	11943	BG LED Düse Water Trio / Quintet	ASM LED nozzle Water Trio / Quintet
4	Water Trio	11884	Grundplatte Water Trio / Quintet	Base plate Water Trio / Quintet
5	Water Trio	12476	BG Kabelschutz Water Trio	ASM cable protection Water Trio
6	Water Trio	12477	BG Steuerung Trio programmiert	ASM controller Trio programmed
7	Water Trio	33371	Haube FM-Master	Cover FM-Master
8	Water Trio	35807	Ersatz Trafo AquaMax 12 V	Spare part transformer AquaMax 12 V
9	Water Trio	20284	Erdspieß	Spike
10	Water Trio	11993	BG Verlängerung Water Trio / Quintet	ASM extension Water Trio / Quintet
11	Water Trio	11282	2 Kanal Funkfernbedienung	2 channel remote control
12	Water Trio	11978	BG Pumpe Easy EC	ASM pump Easy EC
13	Water Trio	11845	BG Rotor Easy EC	ASM rotor Easy EC
14	Water Trio	12474	BG Lagerplatte mit Dichtung Trio/Quintet	ASM bearing plate w. gasket Trio/Quintet
15	Water Trio	11909	Filtergehäuse Easy EC	Filter housing Easy EC



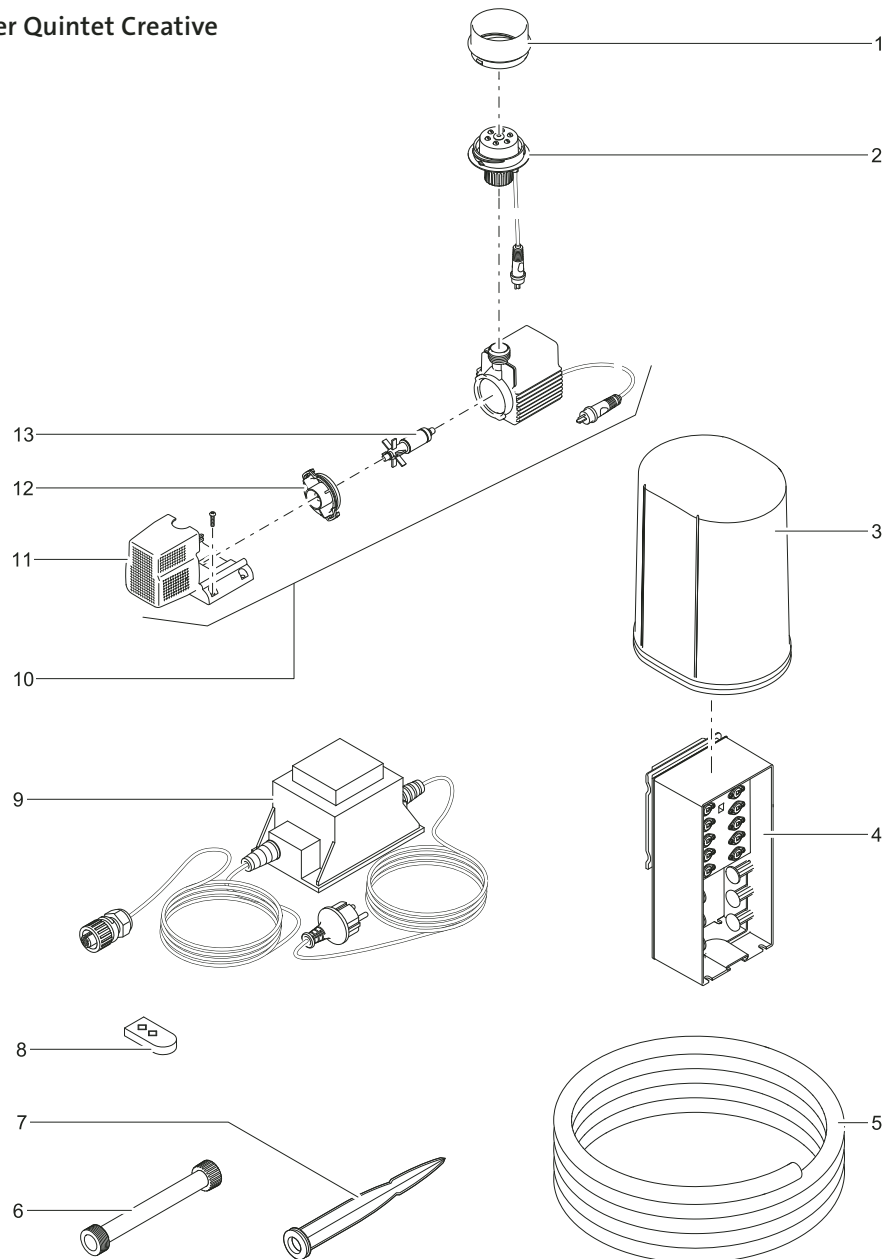
Produkt / Product  
50187 Water Quintet





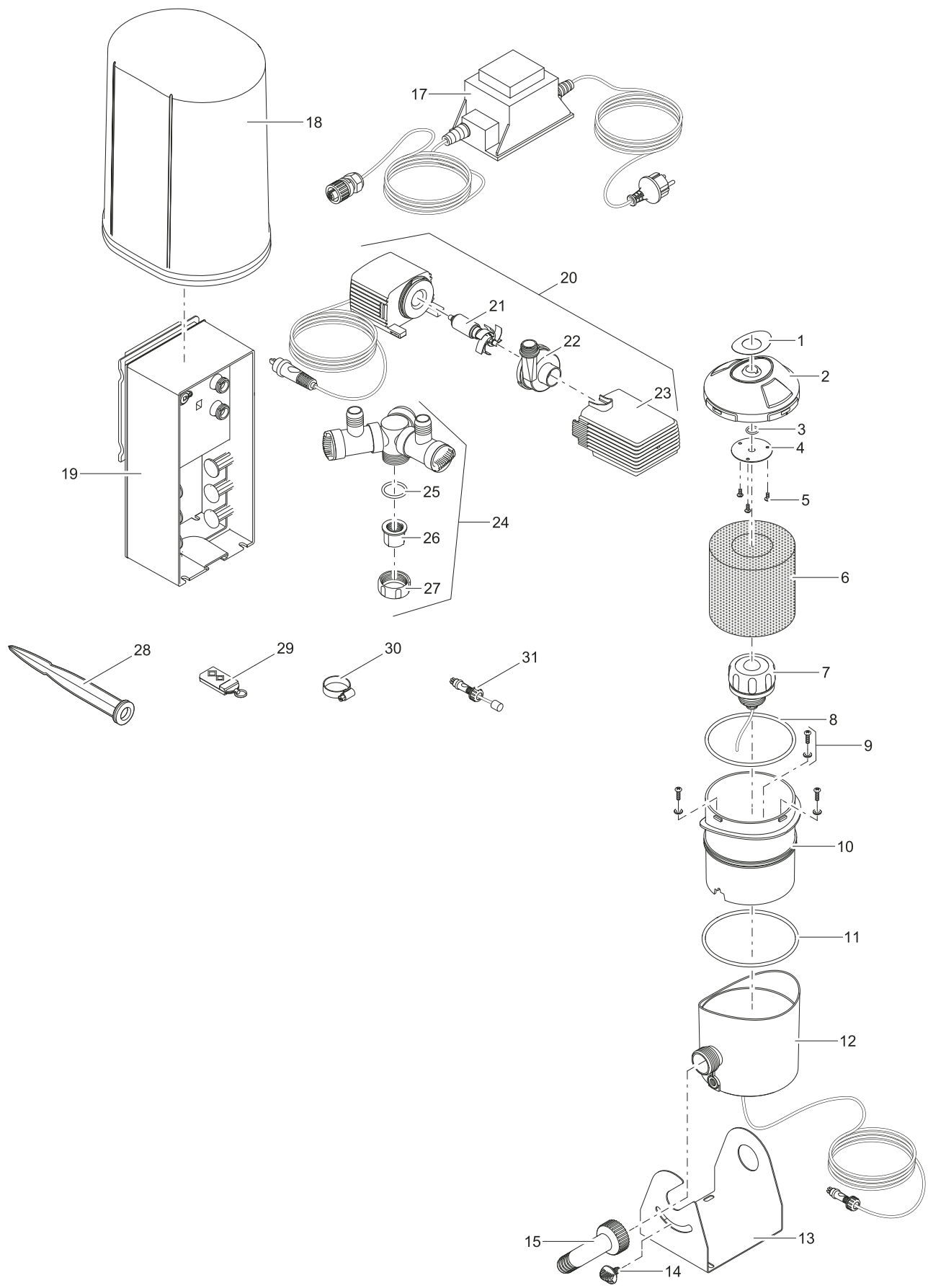
Pos.	Produkt / Product	Artikelnr. / Item no.	Ersatzteil	Spare part
1	Water Quintet	11878	Düsen Schutz	Nozzle protector
2	Water Quintet	11959	BG Abdeckung Water Quintet	ASM top cover Water Quintet
3	Water Quintet	11943	BG LED Düse Water Trio / Quintet	ASM LED nozzle Water Trio / Quintet
4	Water Quintet	11884	Grundplatte Water Trio / Quintet	Base plate Water Trio / Quintet
5	Water Quintet	12475	BG Kabelschutz Water Quintet	ASM cable protection Water Quintet
6	Water Quintet	11994	BG Steuerung Quintet programmiert	ASM controller Quintet programmed
7	Water Quintet	33371	Haube FM-Master	Cover FM-Master
8	Water Quintet	35807	Ersatz Trafo AquaMax 12 V	Spare part transformer AquaMax 12 V
9	Water Quintet	20284	Erdspieß	Spike
10	Water Quintet	11993	BG Verlängerung Water Trio / Quintet	ASM extension Water Trio / Quintet
11	Water Quintet	11282	2 Kanal Funkfernbedienung	2 channel remote control
12	Water Quintet	11978	BG Pumpe Easy EC	ASM pump Easy EC
13	Water Quintet	11845	BG Rotor Easy EC	ASM rotor Easy EC
14	Water Quintet	12474	BG Lagerplatte mit Dichtung Trio/Quintet	ASM bearing plate w. gasket Trio/Quintet
15	Water Quintet	11909	Filtergehäuse Easy EC	Filter housing Easy EC

Produkt / Product  
50394 Water Quintet Creative



Pos.	Produkt / Product	Artikelnr. / Item no.	Ersatzteil	Spare part
1	Water Quintet Creative	11878	Düsen Schutz	Nozzle protector
2	Water Quintet Creative	11943	BG LED Düse Water Trio / Quintet	ASM LED nozzle Water Trio / Quintet
3	Water Quintet Creative	33371	Haube FM-Master	Cover FM-Master
4	Water Quintet Creative	11994	BG Steuerung Quintet programmiert	ASM controller Quintet programmed
5	Water Quintet Creative	12475	BG Kabelschutz Water Quintet	ASM cable protection Water Quintet
6	Water Quintet Creative	11993	BG Verlängerung Water Trio / Quintet	ASM extension Water Trio / Quintet
7	Water Quintet Creative	20284	Erdspieß	Spike
8	Water Quintet Creative	11282	2 Kanal Funkfernbedienung	2 channel remote control
9	Water Quintet Creative	35807	Ersatz Trafo AquaMax 12 V	Spare part transformer AquaMax 12 V
10	Water Quintet Creative	11978	BG Pumpe Easy EC	ASM pump Easy EC
11	Water Quintet Creative	11909	Filtergehäuse Easy EC	Filter housing Easy EC
12	Water Quintet Creative	12474	BG Lagerplatte mit Dichtung Trio/Quintet	ASM bearing plate w. gasket Trio/Quintet
13	Water Quintet Creative	11845	BG Rotor Easy EC	ASM rotor Easy EC

Produkt / Product  
50191 Water Jet Lightning

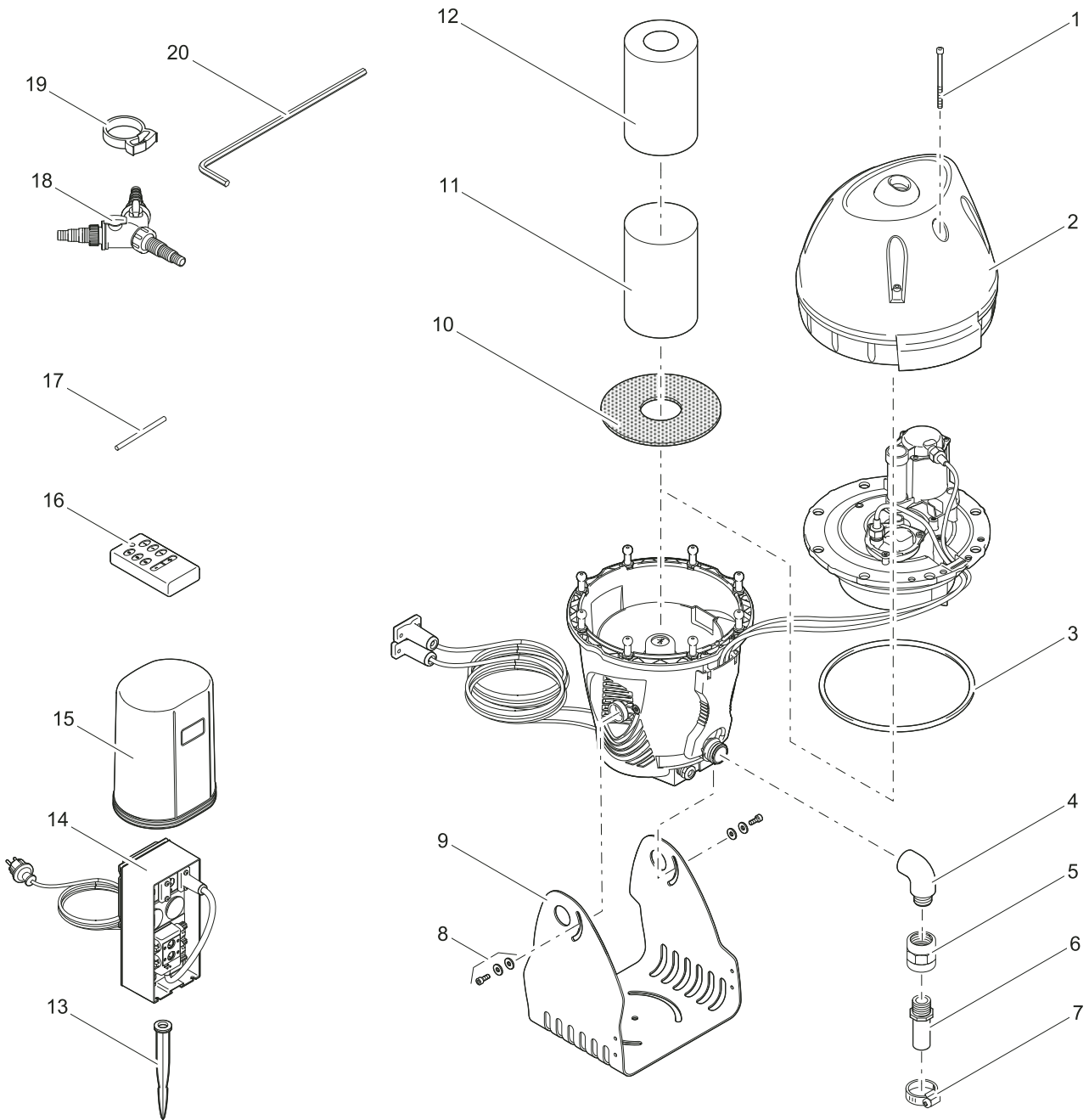


Pos.	Produkt / Product	Artikelnr. / Item no.	Ersatzteil	Spare part
1	Water Jet Lightning	11513	Metallblende Water Jet Lightning	Metal header Water Jet Lightning
2	Water Jet Lightning	11273	Bajonettdeckel Water Jet Lightning	Bajonett top Water Jet Lightning
3	Water Jet Lightning	3517	O-Ring NBR 12 x 2 SH75	O-Ring NBR 12 x 2 SH75
4	Water Jet Lightning	11343	Düsenblech D8 Water Jet Lightning	Nozzle plate D8 Water Jet Lightning
5	Water Jet Lightning	11498	TP-Schraube V2A 1411 KA 3,5-8	TP-screw V2A 1411 KA 3.5-8
6	Water Jet Lightning	11519	Schaum Water Jet Lightning D105 x 50	Foam Water Jet Lightning D105 x 50
7	Water Jet Lightning	11353	BG Power LED Water Jet Lightning	ASM power LED Water Jet Lightning
8	Water Jet Lightning	11497	O-Ring SI 100 x 4 SH45	O-Ring SI 100 x 4 SH45
9	Water Jet Lightning	11631	TP-Schraube 1411 KA 50-14	TP-screw 1411 KA 50-14
10	Water Jet Lightning	11275	Innenteil Water Jet Lightning	Inner part Water Jet Lightning
11	Water Jet Lightning	11497	O-Ring SI 100 x 4 SH45	O-Ring SI 100 x 4 SH45
12	Water Jet Lightning	12434	BG Basis Water Jet Lightning	ASM base Water Jet Lightning
13	Water Jet Lightning	11329	Konsole Water Jet Lightning	Stand Water Jet Lightning
14	Water Jet Lightning	28924	Klemmschraube LunAqua 3 ASA	Clamp screw LunAqua 3 ASA
15	Water Jet Lightning	11500	90° Bogen 1" + Überwurfmutter + Dichtung	90° elbow 1" + nut + gasket
17	Water Jet Lightning	35807	Ersatz Trafo AquaMax 12 V	Spare part transformer AquaMax 12 V
18	Water Jet Lightning	33371	Haube FM-Master	Cover FM-Master
19	Water Jet Lightning	12492	Ersatz Steuerung Water Jet Lightning	Spare controller WaterJet Lightning
20	Water Jet Lightning	11890	BG Pumpe Water Jet Lightning	ASM pump Water Jet Lightning
21	Water Jet Lightning	19174	BG Rotor kpl. Water Jet Lightning	ASM impeller cpl. Water Jet Lightning
22	Water Jet Lightning	34674	Pumpengehäuse S 3-2	Pump housing S 3-2
23	Water Jet Lightning	19310	Steckfilter 1500 – 2500	Plug in filter 1500 – 2500
24	Water Jet Lightning	11850	Zweifachverteiler ¾"	2 way distributor ¾"
25	Water Jet Lightning	27014	O-Ring NBR 25,5 x 3 SH70 A	O-Ring NBR 25.5 x 3 SH70 A
26	Water Jet Lightning	27064	Reduzierstück ½" Multi WD	Reducing piece ½" Multi WD
27	Water Jet Lightning	12094	Überwurfmutter 1"	Coupling nut 1"
28	Water Jet Lightning	20284	Erdspeiß	Spike
29	Water Jet Lightning	11282	2 Kanal Funkfernbedienung	2 channel remote control
30	Water Jet Lightning	11818	Schlauchschele 20 – 32 mm	Hose clamp 20 – 32 mm
31	Water Jet Lightning	12490	BG Überbrückungsstecker	ASM jumper plug

Produkt / Product

50052 JumpingJet Rainbow Star Set

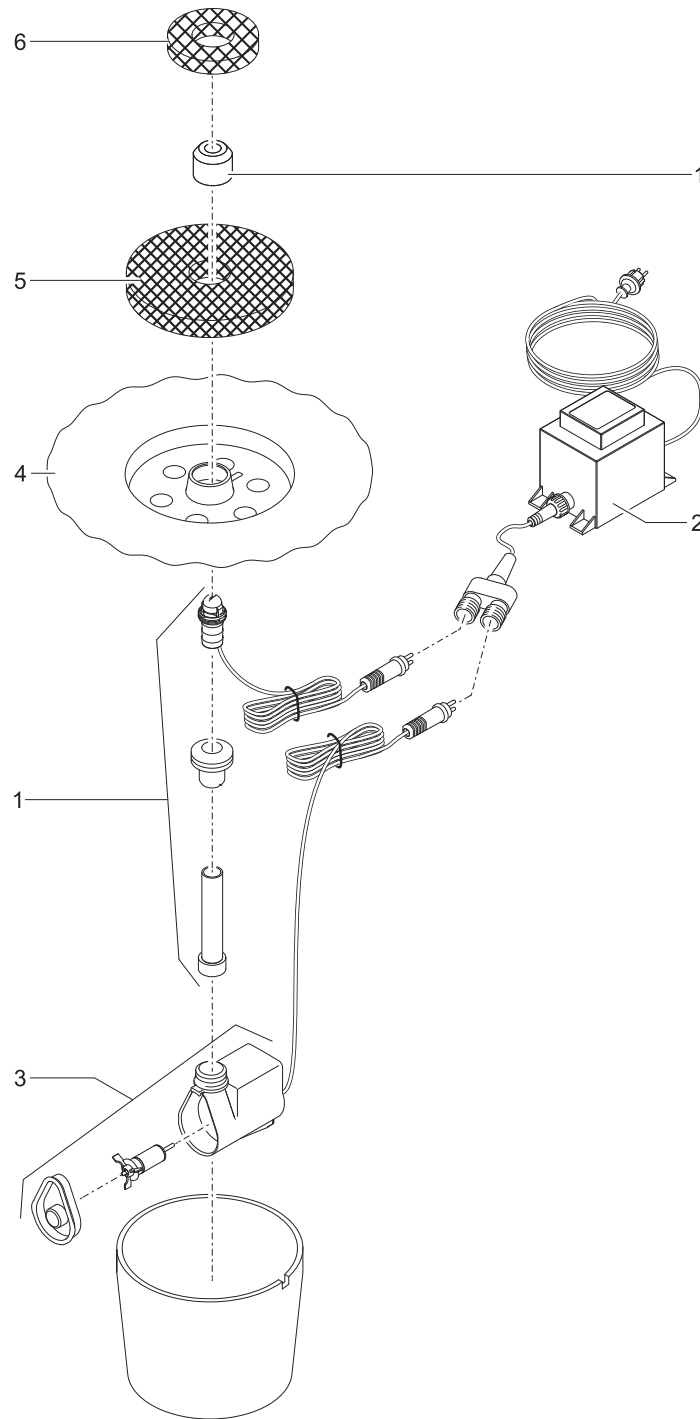
50053 JumpingJet Rainbow Star Erweiterungsset



Pos.	Produkt / Product	Artikelnr. / Item no.	Ersatzteil	Spare part
1	JumpingJet Rainbow Star Set + Erweiterung	5949	Zylinderschraube V2A DIN 912 6 x 16	Cylinder screw V2A DIN 912 6 x 16
2	JumpingJet Rainbow Star Set + Erweiterung	35925	Ersatz Haube JumpingJet	Spare part dome JumpingJet
3	JumpingJet Rainbow Star Set + Erweiterung	10013	O-Ring NBR 218 x 8 SH55 schwarz	O-Ring NBR 218 x 8 SH55 black
4	JumpingJet Rainbow Star Set + Erweiterung	24563	Winkel 90° G1 I-A Kunststoff	Elbow 90° G1 I-A plastic
5	JumpingJet Rainbow Star Set + Erweiterung	27503	Doppelmuffe IG 1"	Double bush IG 1"
6	JumpingJet Rainbow Star Set + Erweiterung	10092	Schlauchtülle bearb.	Hose tail machined
7	JumpingJet Rainbow Star Set + Erweiterung	6284	Schlauchschele VA 22 – 32 mm	Hose clamp VA 22 – 32 mm
8	JumpingJet Rainbow Star Set + Erweiterung	10199	BG Feststell Kit JumpingJet	ASM base fixing kit JumpingJet
9	JumpingJet Rainbow Star Set + Erweiterung	29794	Gerätefuß JumpingJet	Device base JumpingJet
10	JumpingJet Rainbow Star Set + Erweiterung	29795	Diffusorblech	Diffusor plate
11	JumpingJet Rainbow Star Set + Erweiterung	10655	Siebeinsatz Wasserberuhiger	Screen insert water stabilizer
12	JumpingJet Rainbow Star Set + Erweiterung	29769	Filtereinsatz blau Typ FTM-365A	Filterinsert blue type FTM-365A
13	JumpingJet Rainbow Star Set + Erweiterung	20284	Erdspeiß	Spike
14	JumpingJet Rainbow Star Set + Erweiterung	10893	Ersatz FM-Master JumpingJet	Spare FM-Master JumpingJet
15	JumpingJet Rainbow Star Set + Erweiterung	33371	Haube FM-Master	Cover FM-Master
16	JumpingJet Rainbow Star Set + Erweiterung	22653	Handsender FM-Master	Remote control FM-Master
17	JumpingJet Rainbow Star Set + Erweiterung	14496	Einlernstift FM-Master	Teach-in pin FM-Master
18	JumpingJet Rainbow Star Set + Erweiterung	56668	Y-Verteiler 1½"	Y-distributor 1½"
19	JumpingJet Rainbow Star Set + Erweiterung	10632	Snapper SNP8 schwarz	Snapper SNP8 black
20	JumpingJet Rainbow Star Set + Erweiterung	10673	Sechskantschraubendreher 5 mm	Hexagon screwdriver 5 mm

Produkt / Product

50407 LunaLed Creative Set

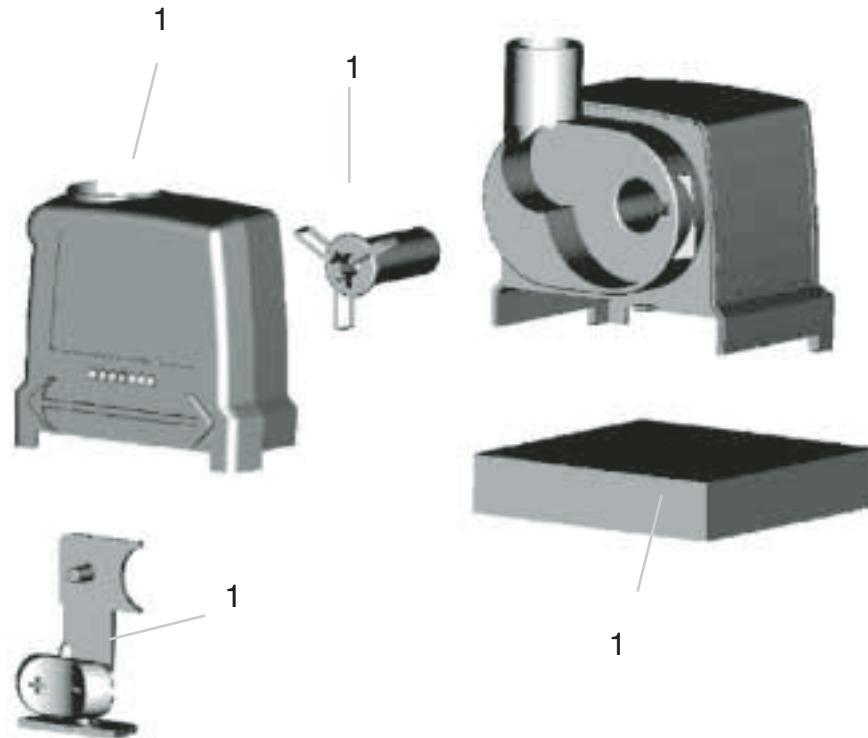


Pos.	Produkt / Product	Artikelnr. / Item no.	Ersatzteil	Spare part
1	LunaLed Creative Set	13540	BG LunaLed 9s Set	ASM LunaLed 9s set
2	LunaLed Creative Set	13534	Trafo 10 VA – 12 W	Transformer 10 VA – 12 W
3	LunaLed Creative Set	13538	BG Pumpe LunaLed Creative Set	ASM pump LunaLed Creative Set
4	LunaLed Creative Set	13425	Abdeckung LunaLed Creative Set	Cover LunaLed Creative Set
5	LunaLed Creative Set	13532	Schaum LunaLed Creative Set	Foam LunaLed Creative Set
6	LunaLed Creative Set	14142	Spritzschutzmanschette LunaLed Creative	Splash guard collar LunaLed Creative Set



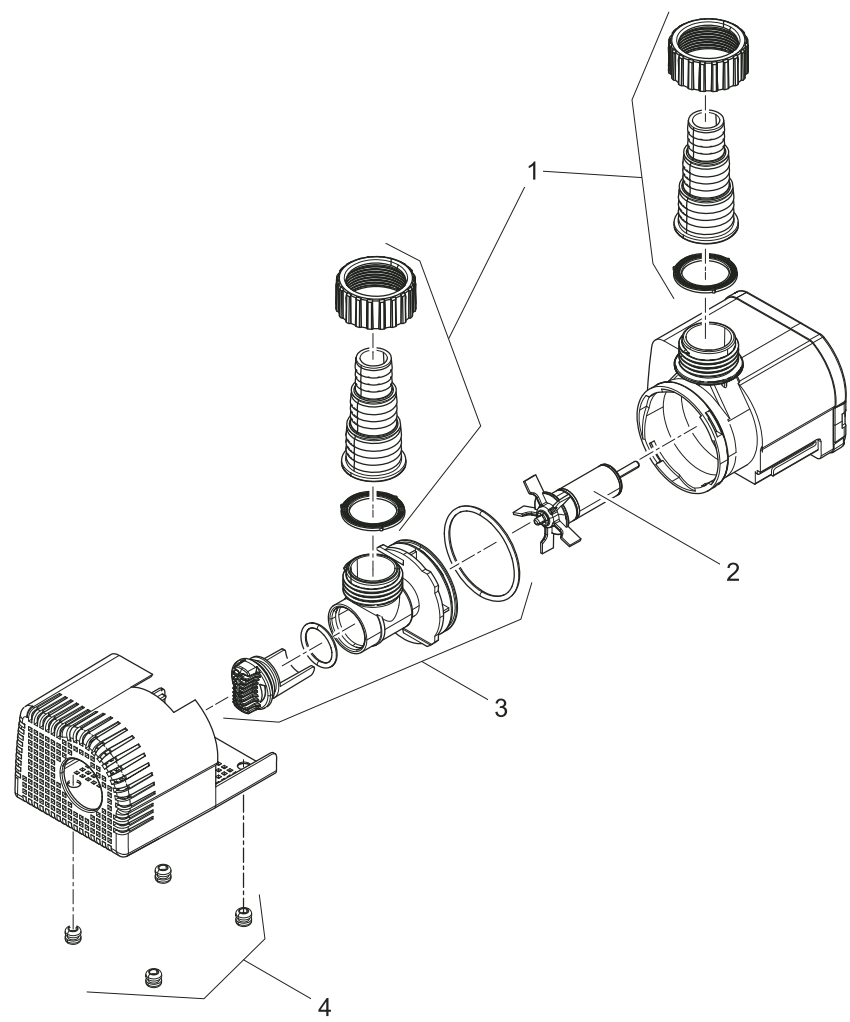
Produkt / Product  
 36673 Aquarius Universal Classic 440i  
 36726 Aquarius Universal Classic 440

ehemals / formerly  
 Neptun 440 – 1,5 m  
 Neptun 440 – 10 m



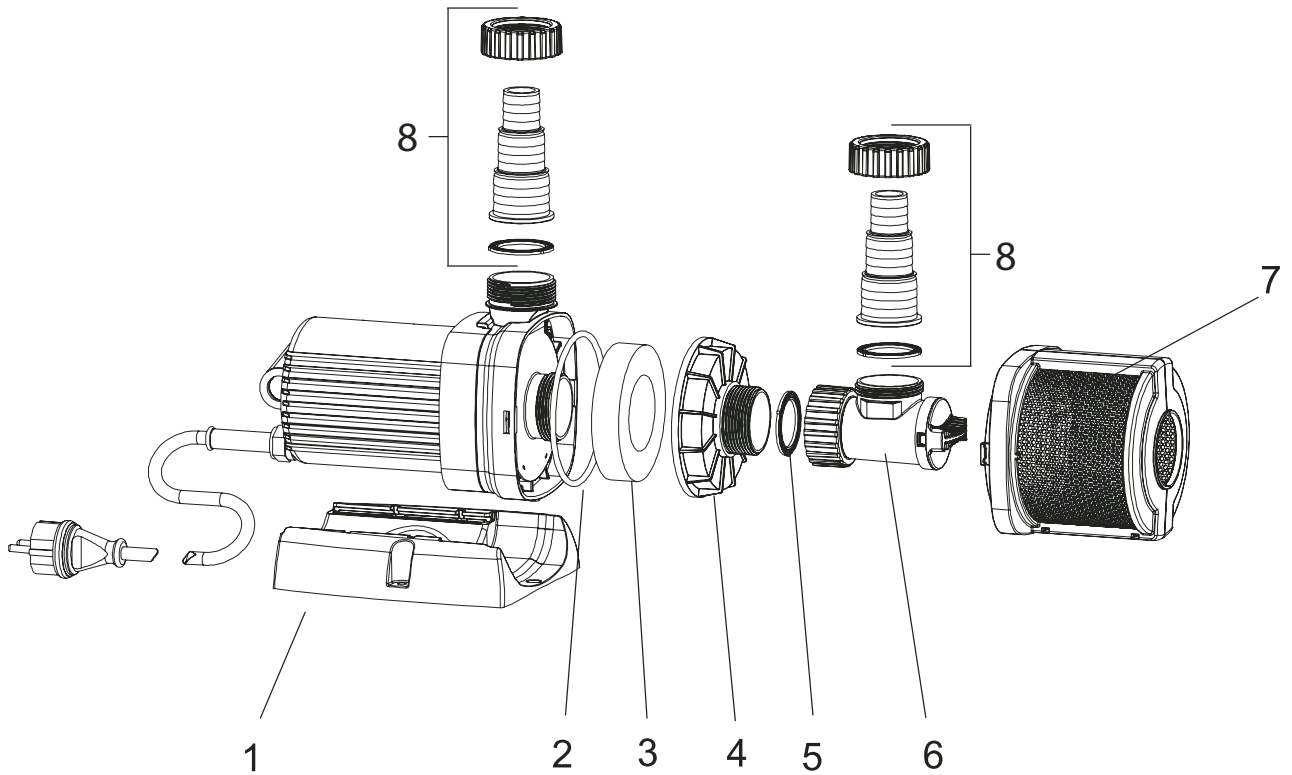
Pos.	Produkt / Product	Artikelnr. / Item no.	Ersatzteil	Spare part
1	Aquarius Universal Classic 440	36787	Ersatzteil-Set Aquarius Universal 440	Spare part set Aquarius Universal 440

Produkt / Product	ehemals / formerly
36975 Aquarius Universal Classic 600	Neptun 600 – 10 m
36950 Aquarius Universal Classic 1000	Neptun 1000 – 10 m
36951 Aquarius Universal Classic 1500	Neptun 1500 – 10 m
36953 Aquarius Universal Classic 2000	Neptun 2000 – 10 m



Pos.	Produkt / Product	Artikelnr. / Item no.	Ersatzteil	Spare part
1	Aquarius Universal Classic 600 – 2000	42429	Ersatz Stufenschlauchtülle ½"	Spare stepped hose tail ½"
2	Aquarius Universal Classic 600	26192	Ersatzrotor kpl. Standard-Synchron 750 V	Spare rotor cpl. standard-synchron 750 V
	Aquarius Universal Classic 1000	26193	BG Ersatzrotor Aquarius Universal 1000	ASM spare rotor Aquarius Universal 1000
	Aquarius Universal Classic 1500	26194	BG Ersatzrotor Aquarius Universal 1500	ASM spare rotor Aquarius Universal 1500
	Aquarius Universal Classic 1500	26191	BG Filter + Gummifüße Aquarius Universal 1000	ASM filter+rubber feet Aquarius Universal 1000
	Aquarius Universal Classic 2000	26195	BG Ersatzrotor Aquarius Universal 2000	ASM spare rotor Aquarius Universal 2000
3	Aquarius Universal Classic 600	26186	BG Ansaugdeckel Aquarius Universal 600	ASM suction cover Aquarius Universal 600
	Aquarius Universal Classic 1000	26187	BG Ansaugdeckel Aquarius Universal 1000-1500	ASM suction cover Aquarius Universal 1000-1500
	Aquarius Universal Classic 1500	26187	BG Ansaugdeckel Aquarius Universal 1000-1500	ASM suction cover Aquarius Universal 1000-1500
	Aquarius Universal Classic 2000	26189	BG Ansaugdeckel Aquarius Universal 2000	ASM suction cover Aquarius Universal 2000
4	Aquarius Universal Classic 600	26190	BG Filter + Gummifüße Aquarius Universal 600	ASM filter+rubber feet Aquarius Universal 600
	Aquarius Universal Classic 1000	26191	BG Filter + Gummifüße Aquarius Universal 1000	ASM filter+rubber feet Aquarius Universal 1000
	Aquarius Universal Classic 1500	26191	BG Filter + Gummifüße Aquarius Universal 1000	ASM filter+rubber feet Aquarius Universal 1000
	Aquarius Universal Classic 2000	26191	BG Filter + Gummifüße Aquarius Universal 1000	ASM filter+rubber feet Aquarius Universal 1000

Produkt / Product	ehemals / formerly
56611 Aquarius Universal 3000	Neptun 3000 – 10 m
56614 Aquarius Universal Premium 4000	Neptun 4000 – 10 m
56617 Aquarius Universal Premium 5000	Neptun 5000 – 10 m
56637 Aquarius Universal Premium 6000	Neptun 6000 – 10 m
56876 Aquarius Universal Premium 9000	Neptun 9000 – 10 m
56879 Aquarius Universal Premium 12000	Neptun 12000 – 10 m



Pos.	Produkt / Product	Artikelnr. / Item no.	Ersatzteil	Spare part
1	Aquarius Universal 3000	35099	Fuß Aquarius Universal Gr. 4	Foot Aquarius Universal size 4
	Aquarius Universal Premium 4000	35099	Fuß Aquarius Universal Gr. 4	Foot Aquarius Universal size 4
	Aquarius Universal Premium 5000	35099	Fuß Aquarius Universal Gr. 4	Foot Aquarius Universal size 4
	Aquarius Universal Premium 6000	35099	Fuß Aquarius Universal Gr. 4	Foot Aquarius Universal size 4
	Aquarius Universal Premium 9000	35243	Fuß Aquarius Universal Gr. 5	Foot Aquarius Universal size 5
	Aquarius Universal Premium 12000	35243	Fuß Aquarius Universal Gr. 5	Foot Aquarius Universal size 5
2	Aquarius Universal 3000	3580	O-Ring NBR 80 x 3 SH75	O-Ring NBR 80 x 3 SH75
	Aquarius Universal Premium 4000	3580	O-Ring NBR 80 x 3 SH75	O-Ring NBR 80 x 3 SH75
	Aquarius Universal Premium 5000	3580	O-Ring NBR 80 x 3 SH75	O-Ring NBR 80 x 3 SH75
	Aquarius Universal Premium 6000	3580	O-Ring NBR 80 x 3 SH75	O-Ring NBR 80 x 3 SH75
	Aquarius Universal Premium 9000	3594	O-Ring NBR 100 x 4 SH75	O-Ring NBR 100 x 4 SH75
	Aquarius Universal Premium 12000	3594	O-Ring NBR 100 x 4 SH75	O-Ring NBR 100 x 4 SH75

Pos.	Produkt / Product	Artikelnr. / Item no.	Ersatzteil	Spare part
3	Aquarius Universal 3000	26002	Frostschutzschaum 2-1	Anti-freezing foam 2-1
	Aquarius Universal Premium 4000	26002	Frostschutzschaum 2-1	Anti-freezing foam 2-1
	Aquarius Universal Premium 5000	26002	Frostschutzschaum 2-1	Anti-freezing foam 2-1
	Aquarius Universal Premium 6000	26002	Frostschutzschaum 2-1	Anti-freezing foam 2-1
	Aquarius Universal Premium 9000	26003	Frostschutzschaum 2-2	Anti-freezing foam 2-2
	Aquarius Universal Premium 12000	26003	Frostschutzschaum 2-2	Anti-freezing foam 2-2
4	Aquarius Universal 3000	34949	Frostschutzgehäuse 2-1 AquaMax 03	Anti-freeze housing 2-1 AquaMax 03
	Aquarius Universal Premium 4000	34949	Frostschutzgehäuse 2-1 AquaMax 03	Anti-freeze housing 2-1 AquaMax 03
	Aquarius Universal Premium 5000	34949	Frostschutzgehäuse 2-1 AquaMax 03	Anti-freeze housing 2-1 AquaMax 03
	Aquarius Universal Premium 6000	34949	Frostschutzgehäuse 2-1 AquaMax 03	Anti-freeze housing 2-1 AquaMax 03
	Aquarius Universal Premium 9000	34961	Frostschutzgehäuse 2-2 AquaMax 03	Anti-freeze housing 2-2 AquaMax 03
	Aquarius Universal Premium 12000	34961	Frostschutzgehäuse 2-2 AquaMax 03	Anti-freeze housing 2-2 AquaMax 03
5	Neptun 3000 / Aquarius Universal Classic 4000 – 12000	19491	Flachdichtung Tülle 1½"	Flat gasket hose tail 1½"
6	Neptun 3000 / Aquarius Universal Classic 4000 – 12000	26405	Ansaugeinheit Aquarius Universal Gr. 4	Suction unit Aquarius Universal size 4
7	Aquarius Universal 3000	35174	BG Vorfilter Aquarius Universal Gr. 4	ASM pre-filter Aquarius Universal size 4
	Aquarius Universal Premium 4000	35174	BG Vorfilter Aquarius Universal Gr. 4	ASM pre-filter Aquarius Universal size 4
	Aquarius Universal Premium 5000	35174	BG Vorfilter Aquarius Universal Gr. 4	ASM pre-filter Aquarius Universal size 4
	Aquarius Universal Premium 6000	35174	BG Vorfilter Aquarius Universal Gr. 4	ASM pre-filter Aquarius Universal size 4
	Aquarius Universal Premium 9000	35252	BG Vorfilter Aquarius Universal Gr. 5	ASM pre filter Aquarius Universal size 5
	Aquarius Universal Premium 12000	35252	BG Vorfilter Aquarius Universal Gr. 5	ASM pre filter Aquarius Universal size 5
8	Aquarius Universal 3000	35179	Beipack Aquarius Universal 1600 – 6000	Add. pack Aquarius Universal 1600 – 6000
	Aquarius Universal Premium 4000	35179	Beipack Aquarius Universal 1600 – 6000	Add. pack Aquarius Universal 1600 – 6000
	Aquarius Universal Premium 5000	35179	Beipack Aquarius Universal 1600 – 6000	Add. pack Aquarius Universal 1600 – 6000
	Aquarius Universal Premium 6000	35179	Beipack Aquarius Universal 1600 – 6000	Add. pack Aquarius Universal 1600 – 6000
	Aquarius Universal Premium 9000	35251	Beipack Aquarius Universal 9000 / 12000	Add. pack Aquarius Universal 9000 / 12000
	Aquarius Universal Premium 12000	35251	Beipack Aquarius Universal 9000 / 12000	Add. pack Aquarius Universal 9000 / 12000

Produkt / Product

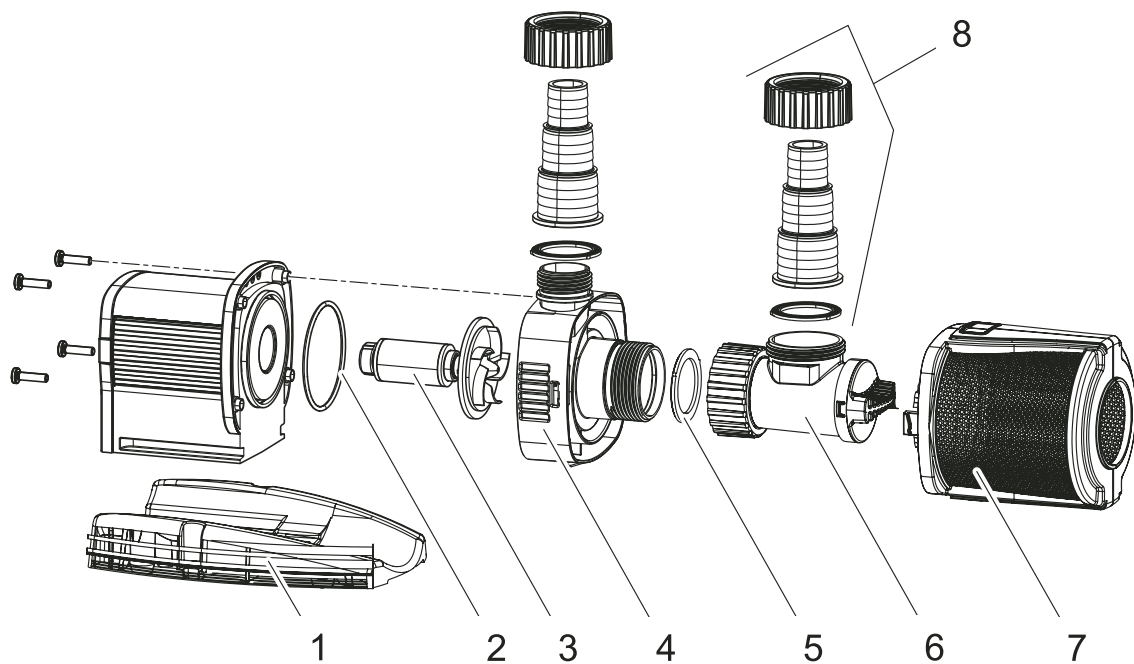
ehemals / formerly

57390 Aquarius Universal Premium Eco 3000

Neptun Eco 3000

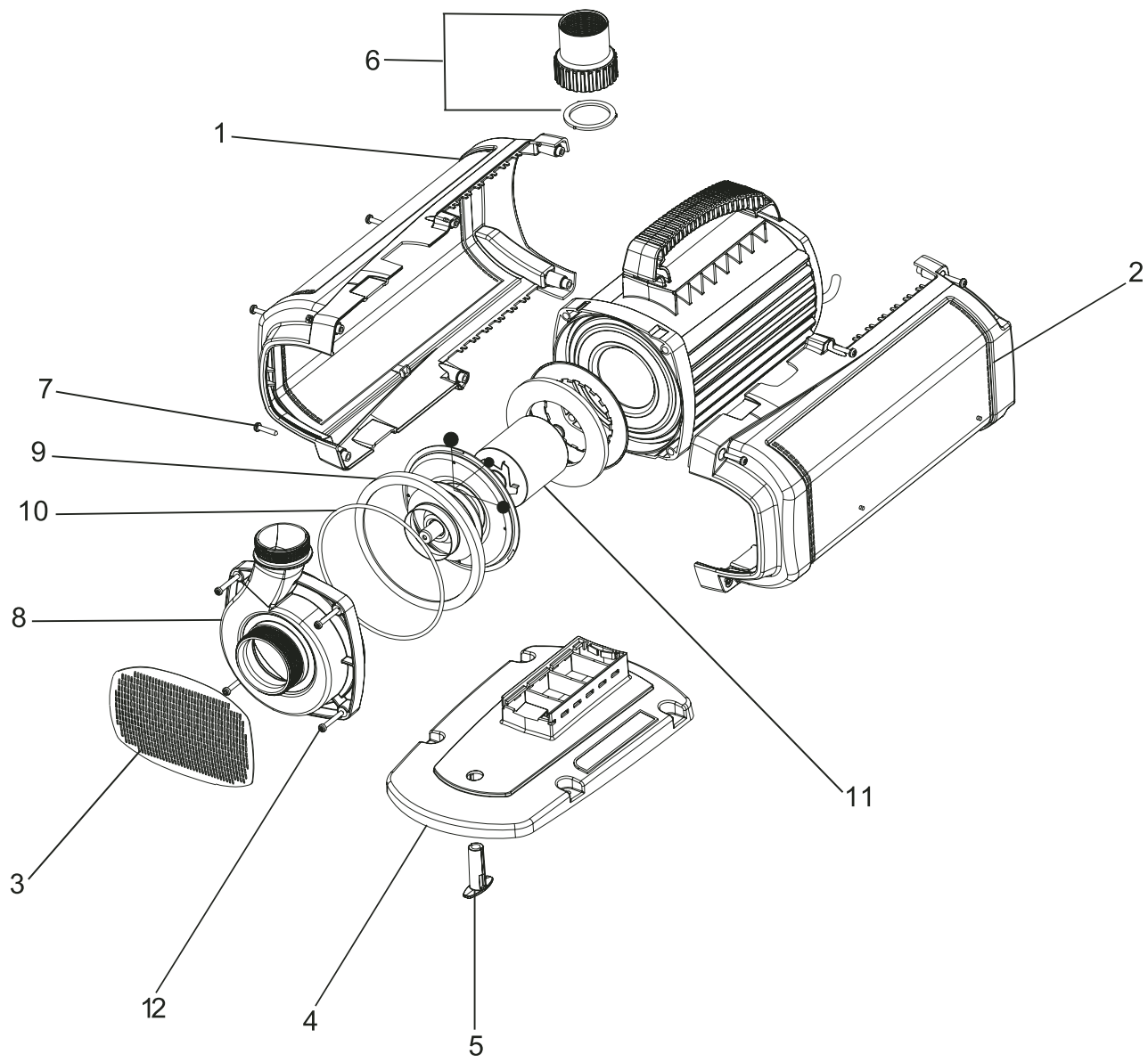
57392 Aquarius Universal Premium Eco 4000

Neptun Eco 4000



Pos.	Produkt / Product	Artikelnr. / Item no.	Ersatzteil	Spare part
1	Aquarius Universal Premium Eco 3000 – 4000	35752	BG Pumpenfuß Aquarius Universal Eco	ASM base Aquarius Universal Eco
2	Aquarius Universal Premium Eco 3000 – 4000	25969	O-Ring NBR 60 x 2,5 SH70 A	O-Ring NBR 60 x 2.5 SH70 A
3	Aquarius Universal Premium Eco 3000	35801	Rotor Aquarius Universal Eco 3000	Impeller Aquarius Universal Eco 3000
	Aquarius Universal Premium Eco 4000	35802	Ersatzrotor kpl. EC-mini 4000	Spare rotor cpl. EC-mini 4000
4	Aquarius Universal Premium Eco 3000 – 4000	35825	Ersatz Pumpengeh. Aquarius Universal Eco	Spare pump housing Aquarius Universal Eco
5	Aquarius Universal Premium Eco 3000 – 4000	19491	Flachdichtung Tülle 1½"	Flat gasket hose tail 1½"
6	Aquarius Universal Premium Eco 3000 – 4000	26405	Ansaugeinheit Aquarius Universal Gr. 4	Suction unit Aquarius Universal size 4
7	Aquarius Universal Premium Eco 3000 – 4000	35826	Ersatz Vorfilter Aquarius Universal Eco	Spare pre filter Aquarius Universal Eco
8	Aquarius Universal Premium Eco 3000 – 4000	35179	Beipack Aquarius Universal 1600 – 6000	Add. pack Aquarius Universal 1600 – 6000

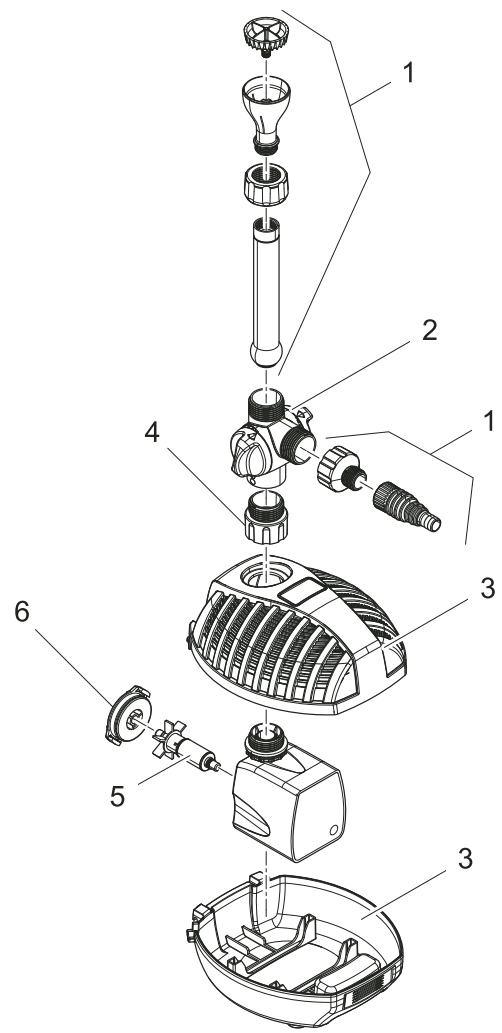
<b>Produkt / Product</b>	<b>ehemals / formerly</b>
56870 Aquarius Universal Expert 21000	Profinaut 21
56871 Aquarius Universal Expert 27000	Profinaut 27
56872 Aquarius Universal Expert 40000	Profinaut 40



Pos.	Produkt / Product	Artikelnr. / Item no.	Ersatzteil	Spare part
1	Aquarius Universal Expert 21000	26697	Filterwange 107 WSP rechts	Filter flank 107 WSP right
	Aquarius Universal Expert 27000	26697	Filterwange 107 WSP rechts	Filter flank 107 WSP right
	Aquarius Universal Expert 40000	26700	Filterwange 135 WSP rechts	Filter flank 135 WSP right
2	Aquarius Universal Expert 21000	26696	Filterwange 107 WSP links	Filter flank 107 WSP left
	Aquarius Universal Expert 27000	26696	Filterwange 107 WSP links	Filter flank 107 WSP left
	Aquarius Universal Expert 40000	26699	Filterwange 135 WSP links	Filter flank 135 WSP left
3	Aquarius Universal Expert 21000	26733	Frontblech 107 WSP	Front plate 107 WSP
	Aquarius Universal Expert 27000	26733	Frontblech 107 WSP	Front plate 107 WSP
	Aquarius Universal Expert 40000	26735	Frontblech 135 WSP	Front plate 135 WSP
4	Aquarius Universal Expert 21000 – 40000	26703	Pumpenfuß Profiline	Pump base Profiline

Pos.	Produkt / Product	Artikelnr. / Item no.	Ersatzteil	Spare part
5	Aquarius Universal Expert 40000	27179	Stabilisator Profiline	Stabiliser Profiline
6	Aquarius Universal Expert 21000 – 40000	35360	Anschluss-Kit Aquarius Universal	Connection kit Aquarius Universal
7	Aquarius Universal Expert 21000 – 40000	6055	Linsenschraube V2A DIN 7985 M5 x 20 H	Oval head screw V2A DIN 7985 M5 x 20 H
8	Aquarius Universal Expert 21000	26688	Pumpengehäuse 107	Pump housing 107
	Aquarius Universal Expert 27000	26688	Pumpengehäuse 107	Pump housing 107
	Aquarius Universal Expert 40000	26689	Pumpengehäuse 135	Pump housing 135
9	Aquarius Universal Expert 21000	26692	Zentrier-Ring 107	Centre ring 107
	Aquarius Universal Expert 27000	26692	Zentrier-Ring 107	Centre ring 107
	Aquarius Universal Expert 40000	26693	Zentrier-Ring 135	Centre ring 135
10	Aquarius Universal Expert 21000	27289	O-Ring NBR 130 x 4,3 SH70	O-Ring NBR 130 x 4.3 SH70
	Aquarius Universal Expert 27000	27289	O-Ring NBR 130 x 4,3 SH70	O-Ring NBR 130 x 4.3 SH70
	Aquarius Universal Expert 40000	3616	O-Ring NBR 154 x 4 SH70	O-Ring NBR 154 x 4 SH70
11	Aquarius Universal Expert 21000	35362	Rotor kpl. Aquarius Universal 21000	Impeller cpl. Aquarius Universal 21000
	Aquarius Universal Expert 27000	35363	Rotor kpl. Aquarius Universal 27000	Impeller cpl. Aquarius Universal 27000
	Aquarius Universal Expert 40000	35364	Rotor kpl. Aquarius Universal 40000	Impeller cpl. Aquarius Universal 40000
12	Aquarius Universal Expert 21000 – 40000	6061	Linsenschraube Kreuzschl. DIN 7985 6x25	Oval head screw Phillips DIN 7985 6 x 25

Produkt / Product	ehemals / formerly
43041 Aquarius Fountain Set Classic 750	
57399 Aquarius Fountain Set Classic 1000	<i>Aquarius 1000 Start</i>
57400 Aquarius Fountain Set Classic 1500	<i>Aquarius 1500 Start</i>
57401 Aquarius Fountain Set Classic 2500	<i>Aquarius 2500 Start</i>
57402 Aquarius Fountain Set Classic 3500	<i>Aquarius 3500 Start</i>

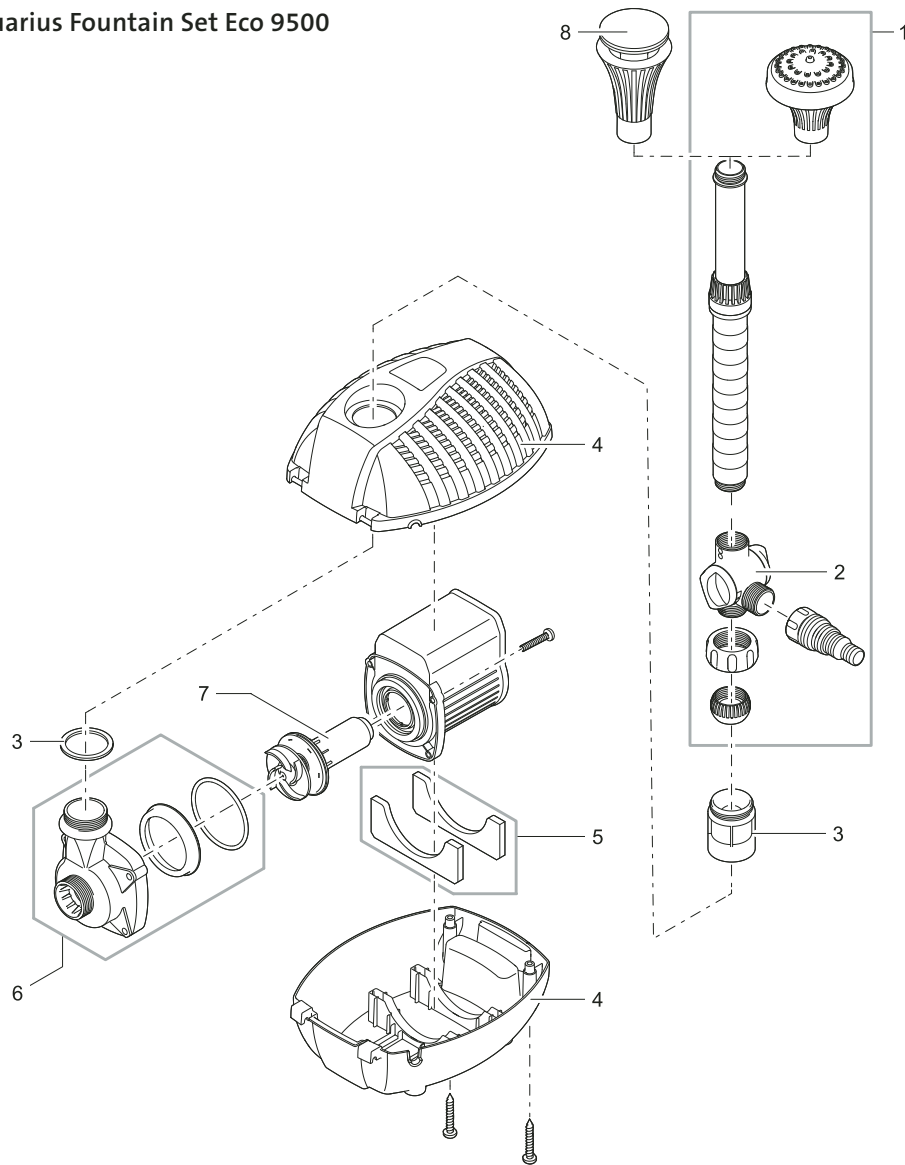


Pos.	Produkt / Product	Artikelnr. / Item no.	Ersatzteil	Spare part
1	Aquarius Fountain Set Classic 750 – 3500	35717	Beipack Düsenset Start	<i>Additional pack nozzle set Start</i>
2	Aquarius Fountain Set Classic 750	43290	Ers. T-Regler Aquarius Fountain Set	<i>Spare T-controller Aquarius Fountain Set</i>
	Aquarius Fountain Set Classic 1000 – 3500	20830	T-Regler G 1	<i>T-controller G 1</i>
3	Aquarius Fountain Set Classic 750 – 3500	18237	BG Filtergehäuse Ober- und Unterteil	<i>ASM filter housing top and base</i>
4	Aquarius Fountain Set Classic 750 – 3500	13427	Reduzierstück	<i>Reduction piece</i>
5	Aquarius Fountain Set Classic 750	22647	Ersatzrotor kpl. ASE 750 magnetisiert	<i>Spare rotor cpl. ASE 750 magnetized</i>
	Aquarius Fountain Set Classic 1000	28351	Ersatzrotor kpl. ASE 1000 magnetisiert	<i>Spare rotor cpl. ASE 1000 magnetized</i>
	Aquarius Fountain Set Classic 1500	18012	Ersatzrotor kpl. ASE 1500 magnetisiert	<i>Spare rotor cpl. ASE 1500 magnetized</i>
	Aquarius Fountain Set Classic 2500	18013	Ersatzrotor kpl. ASE 2500 magnetisiert	<i>Spare rotor cpl. ASE 2500 magnetized</i>
	Aquarius Fountain Set Classic 3500	14364	Ersatzrotor Pumpe 3500 ASE X-Ring	<i>Spare rotor pump 3500 ASE x-ring</i>
6	Aquarius Fountain Set Classic 750 – 1000	35762	BG Pumpengehäuse ASE 1000	<i>ASM pump housing ASE 1000</i>
	Aquarius Fountain Set Classic 1500	35769	BG Pumpengehäuse ASE 1500	<i>ASM pump housing ASE 1500</i>
	Aquarius Fountain Set Classic 2500	35770	BG Pumpengehäuse ASE 2500	<i>ASM pump housing ASE 2500</i>
	Aquarius Fountain Set Classic 3500	35771	BG Pumpengehäuse ASE 3500	<i>ASM pump housing ASE 3500</i>



Produkt / Product

- 41923 Aquarius Fountain Set Eco 5500
- 41925 Aquarius Fountain Set Eco 7500
- 41927 Aquarius Fountain Set Eco 9500



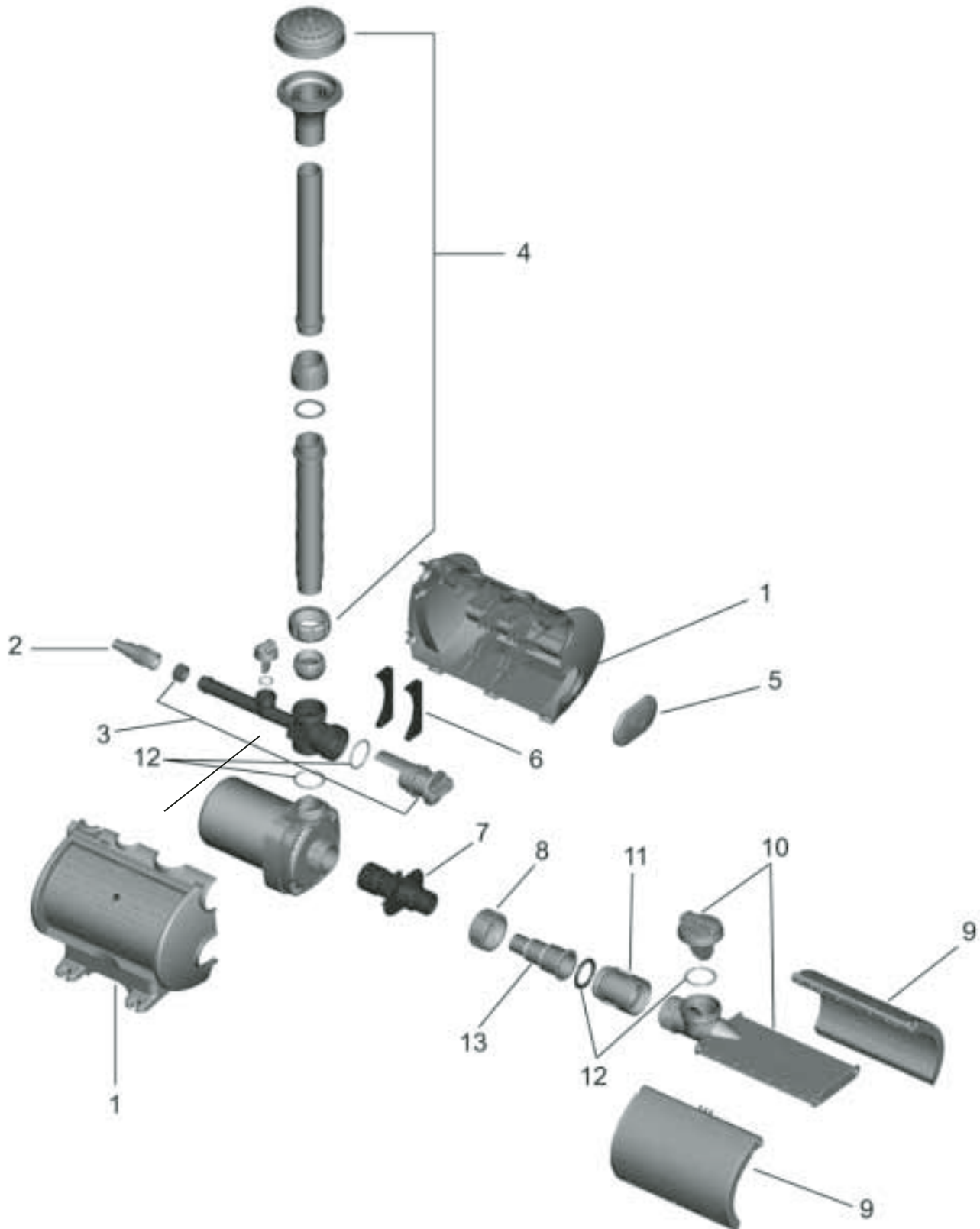
Pos.	Produkt / Product	Artikelnr. / Item no.	Ersatzteil	Spare part
1	Aquarius Fountain Set Eco 5500 – 9500	41731	Beipack Düsen set Aquarius	Additional pack nozzle set Aquarius
2	Aquarius Fountain Set Eco 5500 – 9500	43290	Ers. T-Regler Aquarius Fountain Set	Spare T-controller Aquarius Fountain Set
3	Aquarius Fountain Set Eco 5500 – 9500	43286	Anschlussset Aquarius Foun. Set 5500-9500	Connection kit Aquarius Foun. Set 5500–9500
4	Aquarius Fountain Set Eco 5500 – 9500	43287	Filtergehäuse Aquarius Foun. Set 5500-9500	Filter housing Aquarius Foun. Set 5500–9500
5	Aquarius Fountain Set Eco 5500	43294	Puffer Aquarius Fountain Set 5500 – 7500	Buffer Aquarius Fountain Set 5500–7500
	Aquarius Fountain Set Eco 7500	43294	Puffer Aquarius Fountain Set 5500 – 7500	Buffer Aquarius Fountain Set 5500–7500
	Aquarius Fountain Set Eco 9500	43295	Puffer Aquarius Fountain Set 9500	Buffer Aquarius Fountain Set 9500
6	Aquarius Fountain Set Eco 5500	43288	Pumpengeh. Aquarius Fountain Set 5500	Pump housing Aquarius Fountain Set 5500
	Aquarius Fountain Set Eco 7500	43288	Pumpengeh. Aquarius Fountain Set 5500	Pump housing Aquarius Fountain Set 5500
	Aquarius Fountain Set Eco 9500	43289	Pumpengehäuse Aquarius Fountain Set 9500	Pump housing Aquarius Fountain Set 9500
7	Aquarius Fountain Set Eco 5500	43292	Rotor Aquarius Fountain Set Eco 5500 – 7500	Rotor Aquarius Fountain Set Eco 5500–7500
	Aquarius Fountain Set Eco 7500	43292	Rotor Aquarius Fountain Set Eco 5500 – 7500	Rotor Aquarius Fountain Set Eco 5500–7500
	Aquarius Fountain Set Eco 9500	43293	Rotor Aquarius Fountain Set Eco 9500	Rotor Aquarius Fountain Set Eco 9500
8	Aquarius Fountain Set Eco 5500 – 9500	52318	Lava 36 – 10 K	Lava 36 – 10 K

Produkt / Product

ehemals / formerly

- 56315 Aquarius Fountain Set 4000
- 56319 Aquarius Fountain Set 6000
- 56323 Aquarius Fountain Set 8000
- 56332 Aquarius Fountain Set 12000

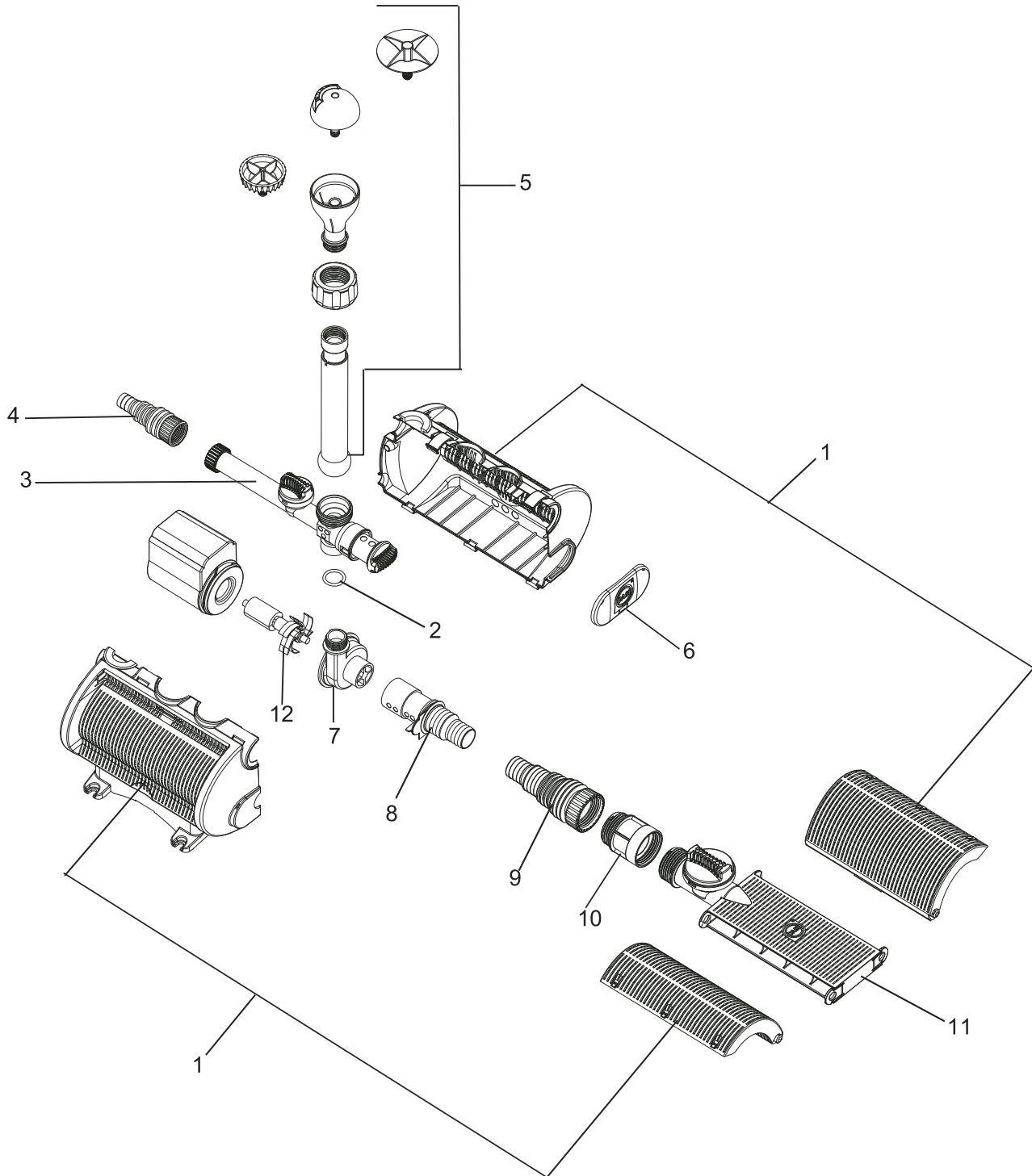
- Nautilus 200*
- Nautilus 250*
- Nautilus 350*
- Nautilus 450*



Pos.	Produkt / Product	Artikelnr. / Item no.	Ersatzteil	Spare part
1	Aquarius Fountain Set 4000 – 12000	34805	Ers. Filtergeh. Aquarius Fountain Gr. 3	Spare filter housing Aquarius Fount. 3
2	Aquarius Fountain Set 4000 – 12000	42429	Ersatz Stufenschlauchtülle ½"	Spare stepped hose tail ½"
3	Aquarius Fountain Set 4000	25206	Wasserverteiler 3-1 kpl.	Water distributor 3-1 cpl.
	Aquarius Fountain Set 6000	25206	Wasserverteiler 3-1 kpl.	Water distributor 3-1 cpl.
	Aquarius Fountain Set 8000	25207	Wasserverteiler 3-2 kpl Aquarius Fountain	Waterdistributor 3-2cpl Aquarius Fountain
	Aquarius Fountain Set 12000	25207	Wasserverteiler 3-2 kpl Aquarius Fountain	Waterdistributor 3-2cpl Aquarius Fountain
4	Aquarius Fountain Set 4000	34808	Ers. Düsenet Aquarius Fountain Gr. 3-1	Spare nozzle set Aquarius Fountain size 3-1
	Aquarius Fountain Set 6000	34808	Ers. Düsenet Aquarius Fountain Gr. 3-1	Spare nozzle set Aquarius Fountain size 3-1
	Aquarius Fountain Set 8000	34806	Ers. Düsenet Aquarius Fountain Gr. 3-2	Spare nozzle set Aquarius Fountain size 3-2
	Aquarius Fountain Set 12000	34806	Ers. Düsenet Aquarius Fountain Gr. 3-2	Spare nozzle set Aquarius Fountain size 3-2
5	Aquarius Fountain Set 4000 – 12000	34620	Abdeckung vorn 3 Aquarius Fountain Set	Inlet cover front 3 Aquarius Fountain
6	Aquarius Fountain Set 4000	25450	Gummipuffer 1	Rubber pad 1
	Aquarius Fountain Set 6000	25450	Gummipuffer 1	Rubber pad 1
	Aquarius Fountain Set 8000	25451	Gummipuffer 2	Rubber pad 2
	Aquarius Fountain Set 12000	25451	Gummipuffer 2	Rubber pad 2
7	Aquarius Fountain Set 4000	34621	Ansaugrohr 3 / 1 Aquarius Fountain Set	Suction pipe 3 / 1 Aquarius Fountain Set
	Aquarius Fountain Set 6000	34621	Ansaugrohr 3 / 1 Aquarius Fountain Set	Suction pipe 3 / 1 Aquarius Fountain Set
	Aquarius Fountain Set 8000	34651	Ansaugrohr 3 / 2 Aquarius Fountain Set	Suction pipe 3 / 2 Aquarius Fountain Set
	Aquarius Fountain Set 12000	34651	Ansaugrohr 3 / 2 Aquarius Fountain Set	Suction pipe 3 / 2 Aquarius Fountain Set
8	Aquarius Fountain Set 4000 – 12000	34737	Überwurfmutter 1½" 40-20	Coupling nut 1½" 40-20
9	Aquarius Fountain Set 4000 – 12000	27285	BG Schwenkfilter 3 kpl.	ASM filter wing 3 cpl.
10	Aquarius Fountain Set 4000 – 12000	34807	Ers. Filteradapter Aquarius Fountain Gr. 3	Spare filter adaptor cpl Aquarius Fountain 3
11	Aquarius Fountain Set 4000 – 12000	25323	Feinfilterhülse 1½"	Strainer tube 1½"
12	Aquarius Fountain Set 4000 – 12000	34804	Ers. Dicht.set Aquarius Fountain Set Gr. 3	Spare sealing set Aquarius Fountain size 3
13	Aquarius Fountain Set 4000 – 12000	25218	Stufenschlauchtülle 1½" schwarz	Stepped hose tail 1½" black

Produkt / Product

- 56299 Nautilus 50
- 56303 Nautilus 80
- 56307 Nautilus 110
- 56311 Nautilus 150



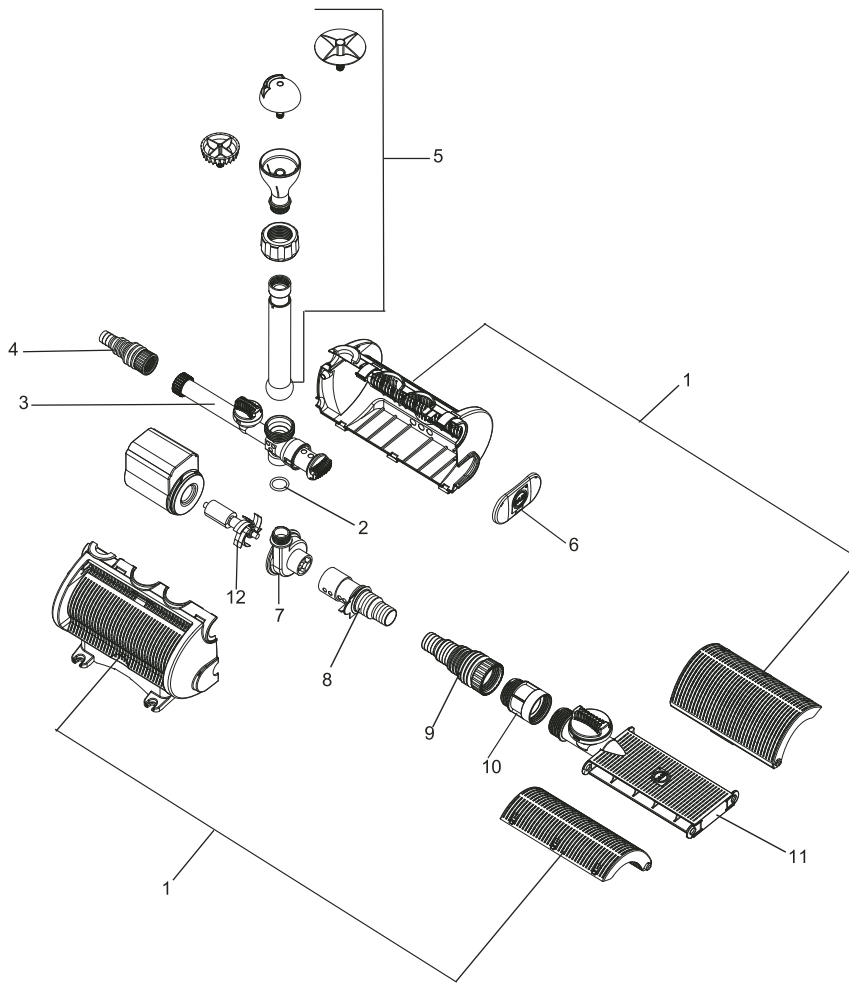
Pos.	Produkt / Product	Artikelnr. / Item no.	Ersatzteil	Spare part
1	Nautilus 50 – 150	35412	BG Filter Nautilus 50 – 150	ASM filter Nautilus 50 – 150
2	Nautilus 50 – 150	34798	Ers. Dicht.set Aquarius Fountain Set Gr. 2	Spare sealing set Aquarius Fountain size 2
3	Nautilus 50 – 150	25197	Wasserverteiler 2 kpl. Aquarius Fountain	Waterdistributor 2 cpl. Aquarius Fountain
4	Nautilus 50 – 150	42429	Ersatz Stufenschlauchtülle ½"	Spare stepped hose tail ½"
5	Nautilus 50	27184	Düsenset Aquarius Solar	Nozzle set Aquarius Solar
	Nautilus 80	25196	Düsenset-2-2-kpl. Aquarius Fountain Set	Nozzle set 2-2 cpl Aquarius Fountain Set
	Nautilus 110	25196	Düsenset-2-2-kpl. Aquarius Fountain Set	Nozzle set 2-2 cpl Aquarius Fountain Set
	Nautilus 150	25196	Düsenset-2-2-kpl. Aquarius Fountain Set	Nozzle set 2-2 cpl Aquarius Fountain Set
6	Nautilus 50 – 150	25217	Abdeckung vorn 2 Aquarius Fountain Set	Inlet cover front 2 Aquarius Fountain
7	Nautilus 50	26553	Pumpendeckel Synchron Gr. 1	Pump cover synchronic size 1
	Nautilus 80	34673	Pumpengehäuse S 3-1	Pump housing S 3-1
	Nautilus 110	34674	Pumpengehäuse S 3-2	Pump housing S 3-2
	Nautilus 150	34675	Pumpengehäuse S 3-3	Pump housing S 3-3
8	Nautilus 50	25198	Düsenset-2-1-kpl. Aquarius Fountain Set	Nozzle set 2-1-cpl Aquarius Fountain Set
	Nautilus 80	25196	Düsenset-2-2-kpl. Aquarius Fountain Set	Nozzle set 2-2 cpl Aquarius Fountain Set
	Nautilus 110	25196	Düsenset-2-2-kpl. Aquarius Fountain Set	Nozzle set 2-2 cpl Aquarius Fountain Set
	Nautilus 150	25196	Düsenset-2-2-kpl. Aquarius Fountain Set	Nozzle set 2-2 cpl Aquarius Fountain Set
9	Nautilus 50 – 150	23642	Stufenschlauchtülle mit Muffe kpl. G1	Stepped hose tail with bush cpl. G1
10	Nautilus 50 – 150	25324	Feinfilterhülse 1"	Strainer tube 1"
11	Nautilus 50 – 150	34799	Ers. Filteradapter Aquarius Fountain Gr. 2	Spare filter adaptor cpl Aquarius Fountain 2
12	Nautilus 50	26192	Ersatzrotor kpl. Standard-Synchron 750 V	Spare rotor cpl. standard-synchron 750 V
	Nautilus 80	26647	Ersatzrotor kpl. Standard-Synchron 1000 V	Spare rotor cpl. standard-synchron 1000 V
	Nautilus 110	26648	Ersatzrotor Standard-Synchron 1500–1800V	Spare rotor cpl. norm.-syn. 1500–1800V
	Nautilus 150	27101	Ersatzrotor Standard-Synchron 2500 H	Spare rotor cpl. norm.-syn. 2500 H

Produkt / Product

56888 Aquarius Solar 700  
56889 Aquarius Solar 1500

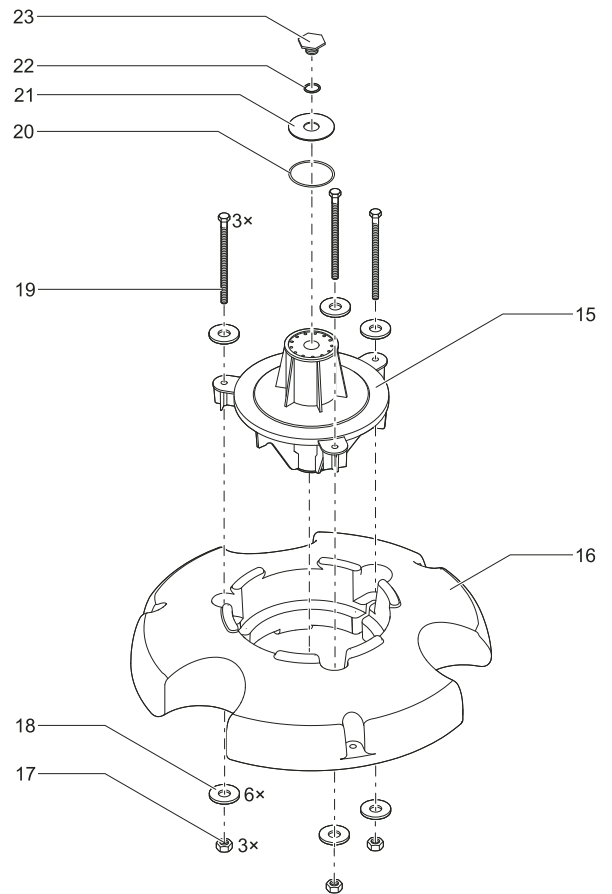
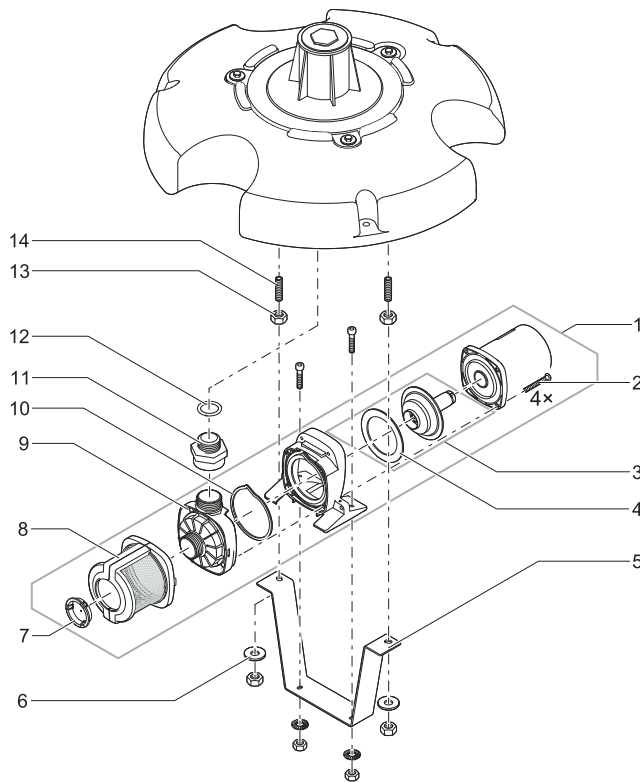
ehemals / formerly

Nautilus Solar 70  
Nautilus Solar 140



Pos.	Produkt / Product	Artikelnr. / Item no.	Ersatzteil	Spare part
1	Aquarius Solar 700 – 1500	35412	BG Filter Nautilus 50-150	ASM filter Nautilus 50-150
2	Aquarius Solar 700	18417	O-Ring NBR 36 x 2 SH45	O-Ring NBR 36 x 2 SH45
	Aquarius Solar 1500	3533	O-Ring NBR 19 x 2,4 SH75	O-Ring NBR 19 x 2,4 SH75
3	Aquarius Solar 700 – 1500	25197	Wasserverteiler 2 kpl. Aquarius Fountain	Waterdistributor 2 cpl. Aquarius Fountain
4	Aquarius Solar 700 – 1500	42429	Ersatz Stufenschlauchtülle ½"	Spare stepped hose tail ½"
5	Aquarius Solar 700	27184	Düsenset Aquarius Solar	Nozzle set Aquarius Solar
	Aquarius Solar 1500	25196	Düsenset-2-2-kpl. Aquarius Fountain Set	Nozzle set 2-2 cpl Aquarius Fountain Set
6	Aquarius Solar 700 – 1500	25217	Abdeckung vorn 2 Aquarius Fountain Set	Inlet cover front 2 Aquarius Fountain
7	Aquarius Solar 700	17402	Pumpengehäuse Aquarius 600 – 900	Pump housing Aquarius 600 – 900
	Aquarius Solar 1500	34674	Pumpengehäuse S 3-2	Pump housing S 3-2
8	Aquarius Solar 700	26924	Ansaugrohr Aquarius Solar 700	Suction pipe Aquarius Solar 700
	Aquarius Solar 1500	25196	Düsenset-2-2-kpl. Aquarius Fountain Set	Nozzle set 2-2 cpl Aquarius Fountain Set
9	Aquarius Solar 700 – 1500	23642	Stufenschlauchtülle mit Muffe kpl. G1	Stepped hose tail with bush cpl. G1
10	Aquarius Solar 700 – 1500	25324	Feinfilterhülse 1"	Strainer tube 1"
11	Aquarius Solar 700 – 1500	34799	Ers. Filteradapter Aquarius Fountain Gr. 2	Spare filter adaptor cpl Aquarius Fountain 2
12	Aquarius Solar 700	53693	Rotor kpl. Solar 700	Impeller cpl. Solar 700
	Aquarius Solar 1500	53769	Rotor kpl. Solar 1500	Impeller cpl. Solar 1500

Produkt / Product  
57704 PondJet Eco

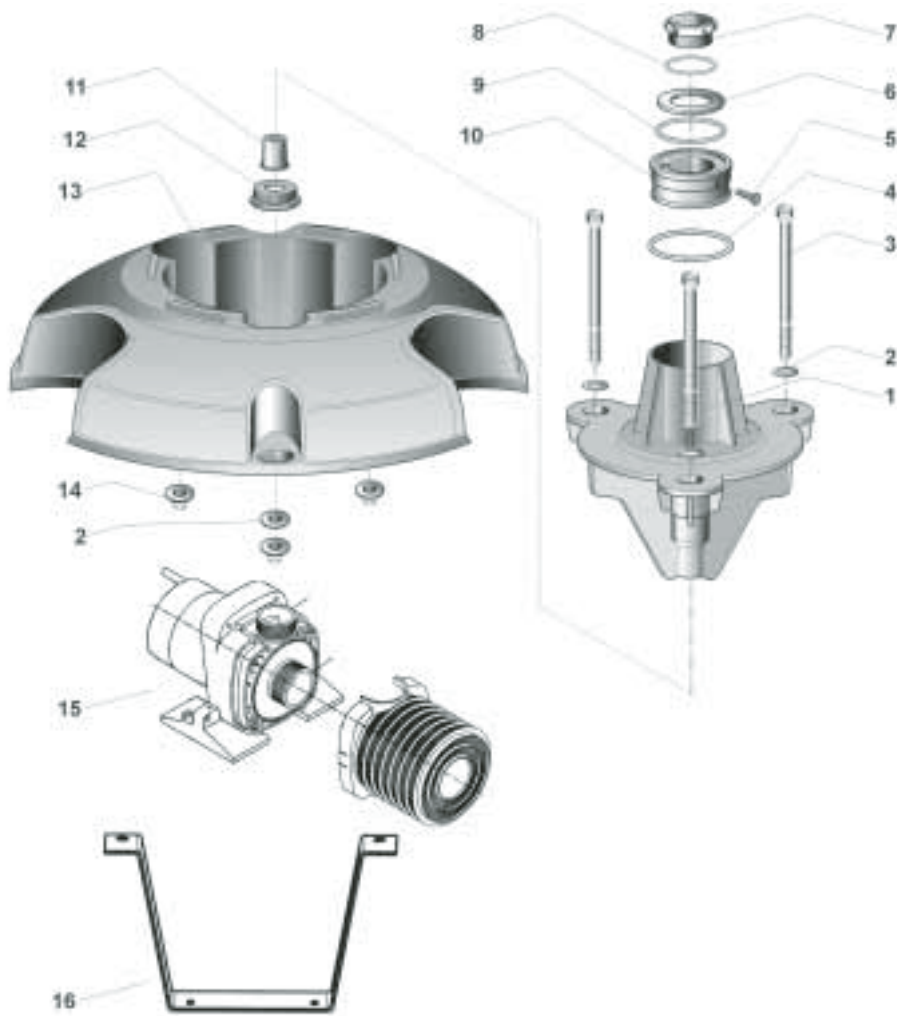


Pos.	Produkt / Product	Artikelnr. / Item no.	Ersatzteil	Spare part
1	PondJet Eco	42088	Service Pack PondJet Eco	Service pack PondJet Eco
2	PondJet Eco	4 x 25424	Sicherheitsschr. V2A M5x40 Torx m Zapfen	Safety screw V2A M5x40 torx-drive w. pin
3	PondJet Eco	40467	Ersatzrotor Pumpe PondJet Eco	Spare rotor pump PondJet Eco
4	PondJet Eco	17513	Flachdichtung 107 x 78 x 2,5 USP 16 hell	Flat gasket 107 x 78 x 2.5 USP 16 light
5	PondJet Eco	10330	Haltebügel PondJet	Retaining bracket PondJet
6	PondJet Eco	6136	Unterlegscheibe V2A DIN 125 8,4	Washer V2A DIN 125 8.4
7	PondJet Eco	35881	Abdeckung vorne EC2 FT	Inlet cover front EC2 FT
8	PondJet Eco	35252	BG Vorfilter Aquarius Universal Gr. 5	ASM pre filter Aquarius Universal size 5
9	PondJet Eco	39927	BG Pumpengehäuse PondJet Eco	ASM pump housing PondJet Eco
10	PondJet Eco	13346	Flachdichtung 110 x 100 x 2,5 USP 60	Flat gasket 110 x 100 x 2.5 USP 60
11	PondJet Eco	40569	Reduziernippel PVC 1½" – 1¼"	Reducing nipple PVC 1½" – 1¼"
12	PondJet Eco	22279	Flachdichtung SBR 40 x 30 x 2 SH70	Flat gasket SBR 40 x 30 x 2 SH70
13	PondJet Eco	6106	Sechskantmutter V2A DIN 934 M8	Hexagon nut V2A DIN 934 M8
14	PondJet Eco	10852	Gewindestift 4401 DIN 913 8 x 40	Set screw 4401 DIN 913 8 x 40
15	PondJet Eco	19279	Düsenkörper PondJet (m. Bohrung)	Fountain nozzle unit PondJet
16	PondJet Eco	17939	Schwimmkörper Mini-Anlage KSA3	Float Mini without foam
17	PondJet Eco	3 x 6129	Sicherungsmutter V2A DIN 985 M8	Lock nut V2A DIN 985 M8
18	PondJet Eco	6 x 9848	Unterlegscheibe V2A DIN 9021 10,5	Washer V2A DIN 9021 10.5
19	PondJet Eco	3 x 19288	Sechskantschraube V2A DIN 931 M8 x 130	Hexagon bolt V2A DIN 931 M8 x 130
20	PondJet Eco	3578	O-Ring NBR 72 x 4 SH75	O-Ring NBR 72 x 4 SH75
21	PondJet Eco	19545	Lochscheibe PondJet	Washer PondJet
22	PondJet Eco	13290	O-Ring NBR 33 x 3 SH70 schwarz	O-Ring NBR 33 x 3 SH70 black
23	PondJet Eco	19544	Stopfen G1 PondJet	Plug G1 PondJet

Produkt / Product

57075 PondJet

53777 PondJet



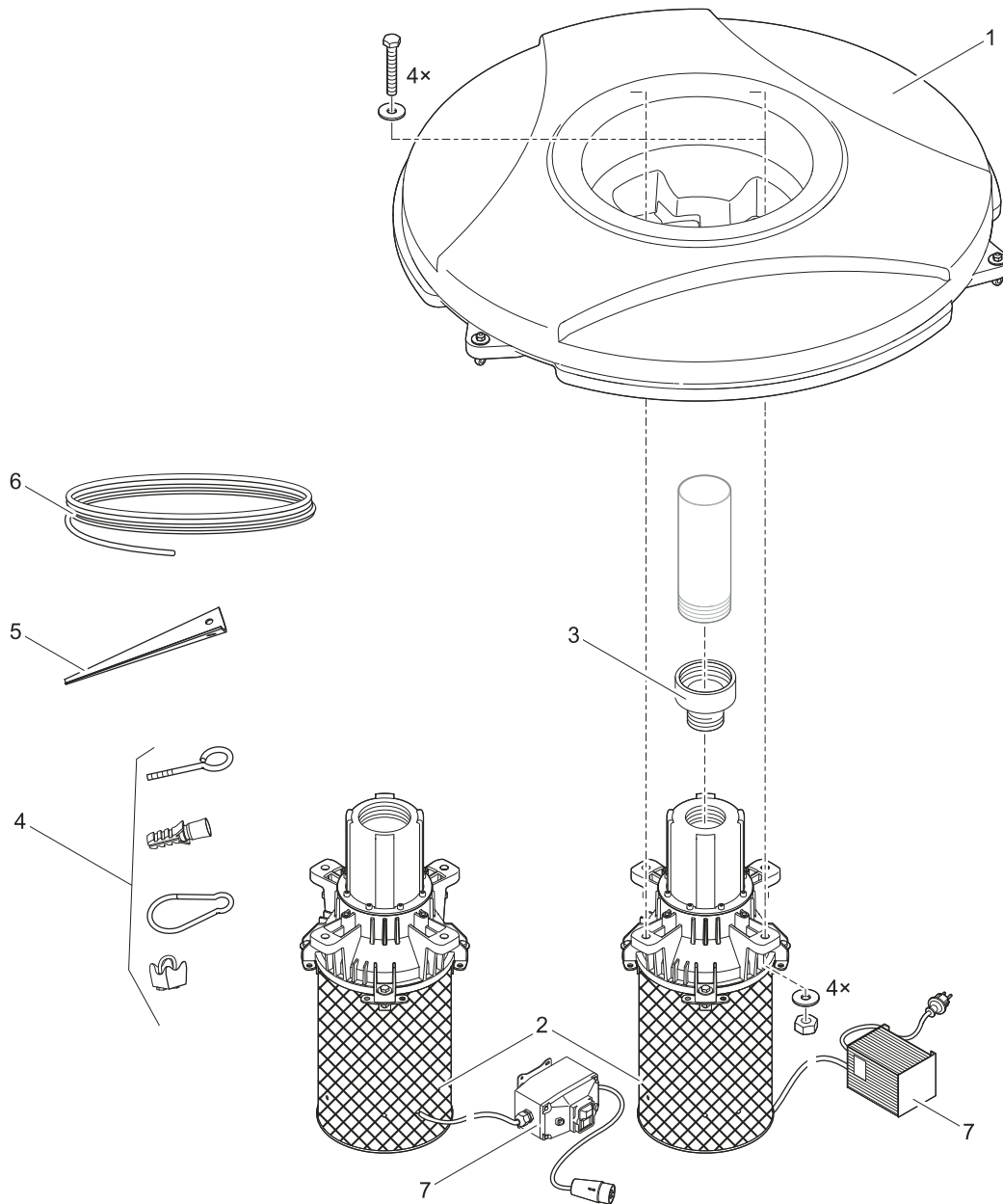
Pos.	Produkt / Product	Artikelnr. / Item no.	Ersatzteil	Spare part
1	PondJet	19279	Düsenkörper PondJet (m. Bohrung)	Fountain nozzle unit PondJet
2	PondJet	9848	Unterlegscheibe V2A DIN 9021 10,5	Washer V2A DIN 9021 10.5
3	PondJet	19288	Sechskantschraube V2A DIN 931 M8 x 130	Hexagon bolt V2A DIN 931 M8 x 130
4	PondJet	3579	O-Ring NBR 76 x 4 SH70	O-Ring NBR 76 x 4 SH70
5	PondJet	6018	Linsenschraube V2A DIN 964 5 x 16	Oval head screw V2A DIN 964 5 x 16
6	PondJet	19545	Lochscheibe PondJet	Washer PondJet
7	PondJet	19544	Stopfen G1 PondJet	Plug G1 PondJet
8	PondJet	13290	O-Ring NBR 33 x 3 SH70 schwarz	O-Ring NBR 33 x 3 SH70 black
9	PondJet	3578	O-Ring NBR 72 x 4 SH75	O-Ring NBR 72 x 4 SH75
10	PondJet	19282	Düseneinsatz Vulkan 12 PondJet	Nozzle insert Vulcan 12 PondJet
11	PondJet	10035	Wasserberuhiger Komet 10 – 12 T / 14	Water stabilizer Komet 10 – 12 T / 14
12	PondJet	19280	Reduziernippel 2" NPT-links auf G 1¼	Reducing nipple 2" NPT left – G 1¼
13	PondJet	17939	Schwimmkörper Mini-Anlage KSA3	Float Mini without foam
14	PondJet	6118	Hutmutter V2A DIN 1587 M8	Cap nut V2A DIN 1587 M8
15	PondJet	42088	Service Pack PondJet Eco	Service pack PondJet Eco
16	PondJet	10330	Haltebügel PondJet	Retaining bracket PondJet



Produkt / Product

50365 MIDI II 1,1 kW / 230 V

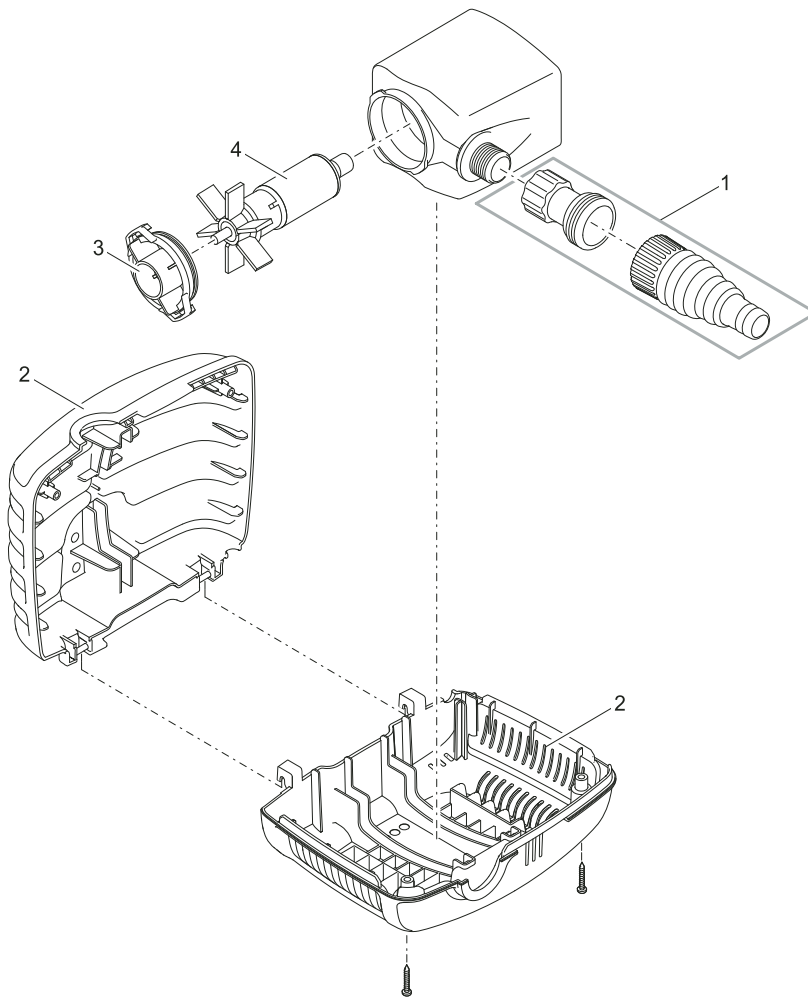
50371 MAXI II 4,0 kW / 400 V



Pos.	Produkt / Product	Artikelnr. / Item no.	Ersatzteil	Spare part
1	MIDI II 1,1 kW / 230 V	10862	Schwimmer 90 l	Float 90 l
	MAXI II 4,0 kW / 400 V	10579	Schwimmer 135 l	Float 135 l
2	MIDI II 1,1 kW / 230 V	13542	BG Motorensektion MIDI 1,1 kW / 50 Hz / 230 V	ASM motor section MIDI 1.1 kW / 50 Hz / 230 V
	MAXI II 4,0 kW / 400 V	13543	BG Motorensektion MAXI 4 kW / 50 Hz / 400 V	ASM motor section MAXI 4 kW / 50 Hz / 400 V
3	MIDI II 1,1 kW / 230 V	12904	Reduzierstück 3" auf 2½" MIDI	Reduction piece 3" – 2½" MIDI
4	MIDI II / MAXI II	11414	Beipack Kleinteile LM 3P	Additional pack small parts LM 3P
5	MIDI II / MAXI II	30128	Befestigungsdorn 450	Fastener 450
6	MIDI II / MAXI II	11203	Drahtseil VA 3 mm x 30 m	Wire ROBE stainless steel 3 mm x 30 m
7	MIDI II 1,1 kW / 230 V	42137	Ersatzschaltkasten 1,1 kW / 230 V	Spare part starter box 1.1 kW / 230 V
	MAXI II 4,0 kW / 400 V	42139	Ersatz Motorschutzschalter 10-16A CEE	Spare part Motor overl.switch 10-16A CEE

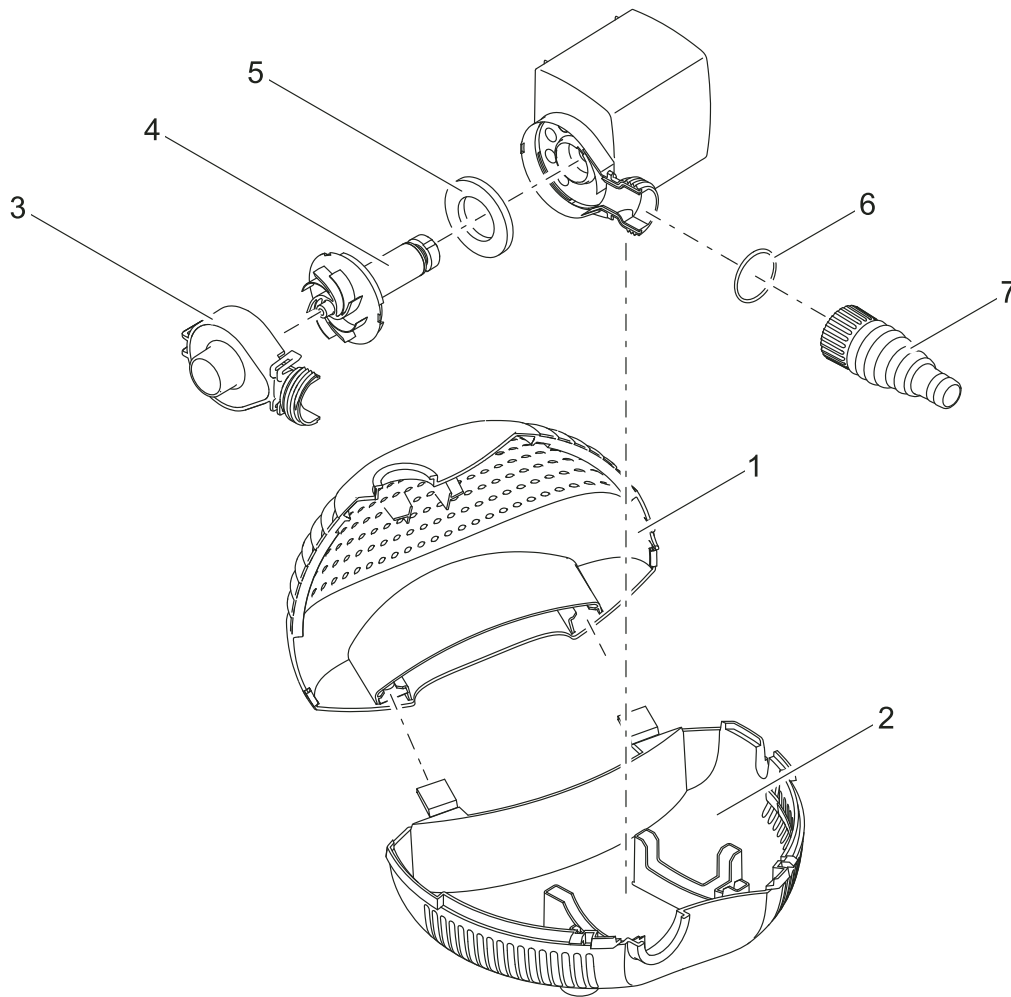
Produkt / Product

51086 AquaMax Eco Classic 2500



Pos.	Produkt / Product	Artikelnr. / Item no.	Ersatzteil	Spare part
1	AquaMax Eco Classic 2500	21903	Anschlusskit AquaMax Eco Classic 2500	Connection kit AquaMax Eco Classic 2500
2	AquaMax Eco Classic 2500	21901	Filterschalen AquaMax Eco Classic 2500	Filter housing AquaMax Eco Classic 2500
3	AquaMax Eco Classic 2500	21908	Pumpengehäuse AquaMax Eco Classic 2500	Pump housing AquaMax Eco Classic 2500
4	AquaMax Eco Classic 2500	18013	Ersatzrotor kpl. ASE 2500 magnetisiert	Spare rotor cpl. ASE 2500 magnetized

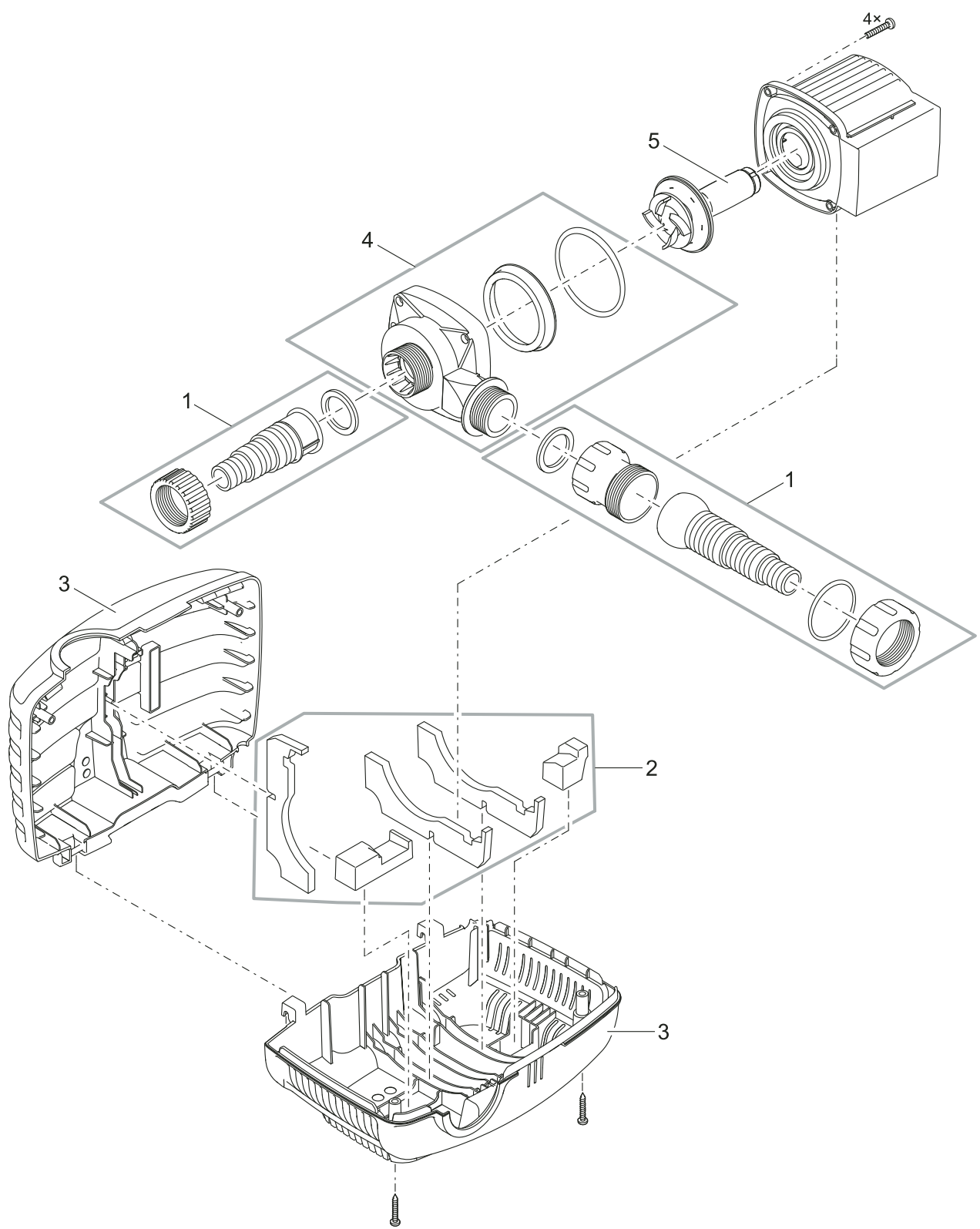
Produkt / Product  
57380 AquaMax 2000



Pos.	Produkt / Product	Artikelnr. / Item no.	Ersatzteil	Spare part
1	AquaMax 2000	35719	Oberschale AquaMax 2000	Top housing AquaMax 2000
2	AquaMax 2000	34507	Filtergehäuse Unterteil AquaMax 2000	Filter housing base AquaMax 2000
3	AquaMax 2000	34509	Pumpengehäuse AquaMax 2000	Pump housing AquaMax 2000
4	AquaMax 2000	34605	Ersatzrotor AquaMax 2000	Spare rotor AquaMax 2000
5	AquaMax 2000	24691	Filterschaum blau PPI 80 AquaMax 2000	Filter foam blue PPI 80 AquaMax 2000
6	AquaMax 2000	22298	O-Ring NBR 27 x 2,5 SH70 schwarz	O-Ring NBR 27 x 2.5 SH70 black
7	AquaMax 2000	23642	Stufenschlauchtülle mit Muffe kpl. G1	Stepped hose tail with bush cpl. G1

Produkt / Product

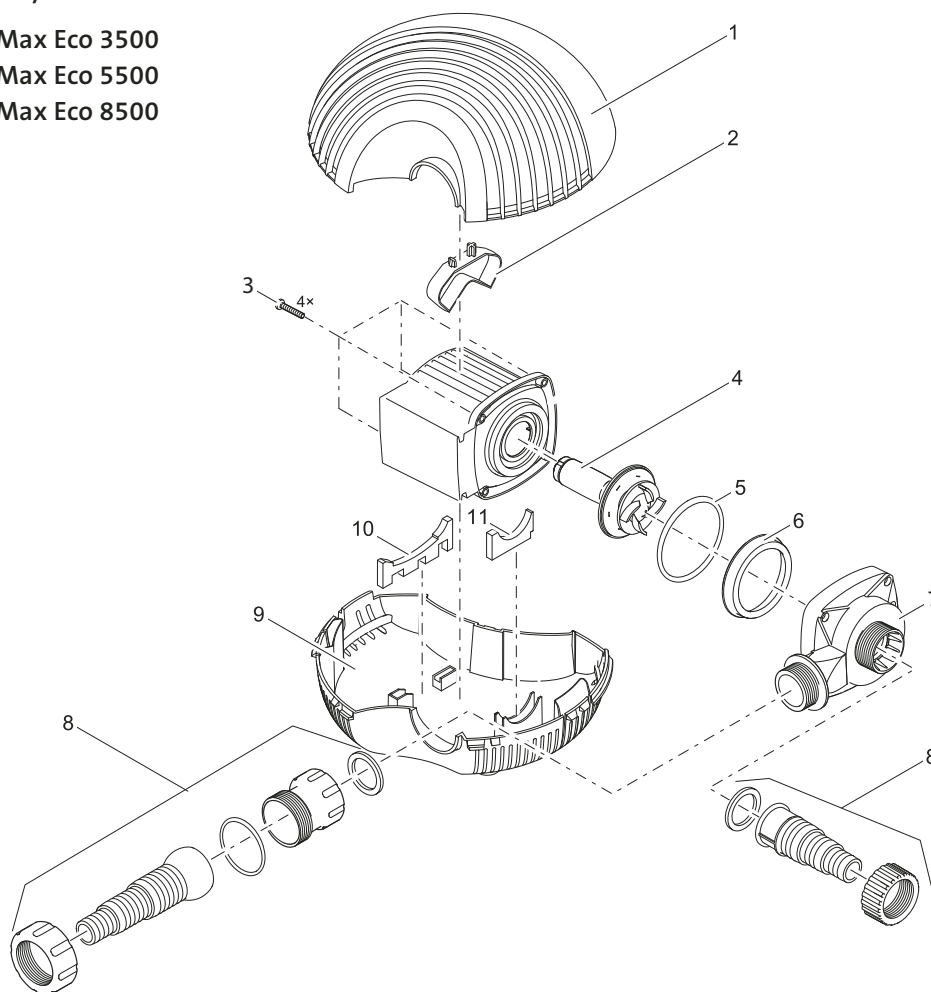
- 51092 AquaMax Eco Classic 3500
- 51096 AquaMax Eco Classic 5500
- 51099 AquaMax Eco Classic 8500
- 51102 AquaMax Eco Classic 11500
- 51104 AquaMax Eco Classic 14500
- 56653 AquaMax Eco Classic 17500



Pos.	Produkt / Product	Artikelnr. / Item no.	Ersatzteil	Spare part
1	AquaMax Eco Classic 3500 – 17500	21904	Anschlusskit AquaMax Eco Classic 3500 – 17500	Connection kit AquaMax Eco Classic 3500 – 17500
2	AquaMax Eco Classic 3500	21905	Gummipuffer AquaMax Eco Classic 3500 / 5500	Rubber buffer AquaMax Eco Classic 3500 / 5500
	AquaMax Eco Classic 5500	21905	Gummipuffer AquaMax Eco Classic 3500 / 5500	Rubber buffer AquaMax Eco Classic 3500 / 5500
	AquaMax Eco Classic 8500	21906	Gummipuffer Set AquaMax Eco Classic 8500	Rubber buffer set AquaMax Eco Classic 8500
	AquaMax Eco Classic 11500	21907	Gummipuffer AquaMax Eco Classic 11500 / 14500	Rubber buffer AquaMax Eco Classic 11500 / 14500
	AquaMax Eco Classic 14500	21907	Gummipuffer AquaMax Eco Classic 11500 / 14500	Rubber buffer AquaMax Eco Classic 11500 / 14500
	AquaMax Eco Classic 17500	21907	Gummipuffer AquaMax Eco Classic 11500 / 14500	Rubber buffer AquaMax Eco Classic 11500 / 14500
3	AquaMax Eco Classic 3500 – 17500	21902	Filterschalen AquaMax Eco Classic 3500 – 14500	Filter housing AquaMax Eco Classic 3500 – 14500
4	AquaMax Eco Classic 3500	21909	Pumpengehäuse AquaMax Eco Classic 3500 / 5500	Pump housing AquaMax Eco Classic 3500 / 5500
	AquaMax Eco Classic 5500	21909	Pumpengehäuse AquaMax Eco Classic 3500 / 5500	Pump housing AquaMax Eco Classic 3500 / 5500
	AquaMax Eco Classic 8500	21910	Pumpengehäuse AquaMax Eco Classic 8500	Pump housing AquaMax Eco Classic 8500
	AquaMax Eco Classic 11500	21914	Pumpengehäuse AquaMax Eco Classic 11500 / 14500	Pump housing AquaMax Eco Classic 11500 / 14500
	AquaMax Eco Classic 14500	21914	Pumpengehäuse AquaMax Eco Classic 11500 / 14500	Pump housing AquaMax Eco Classic 11500 / 14500
	AquaMax Eco Classic 17500	31141	Pumpengehäuse AquaMax Eco Classic 17500	Pump housing AquaMax Eco Classic 17500
5	AquaMax Eco Classic 3500	21912	Ersatzrotor AquaMax Eco Classic 3500	Spare rotor AquaMax Eco Classic 3500
	AquaMax Eco Classic 5500	21913	Ersatzrotor AquaMax Eco Classic 5500	Spare rotor AquaMax Eco Classic 5500
	AquaMax Eco Classic 8500	21898	Ersatzrotor AquaMax Eco Classic 8500	Spare rotor AquaMax Eco Classic 8500
	AquaMax Eco Classic 11500	21900	Ersatzrotor AquaMax Eco Classic 11500	Spare rotor AquaMax Eco Classic 11500
	AquaMax Eco Classic 14500	21899	Ersatzrotor AquaMax Eco Classic 14500	Spare rotor AquaMax Eco Classic 14500
	AquaMax Eco Classic 17500	31142	Ersatzrotor AquaMax Eco Classic 17500	Spare rotor AquaMax Eco Classic 17500

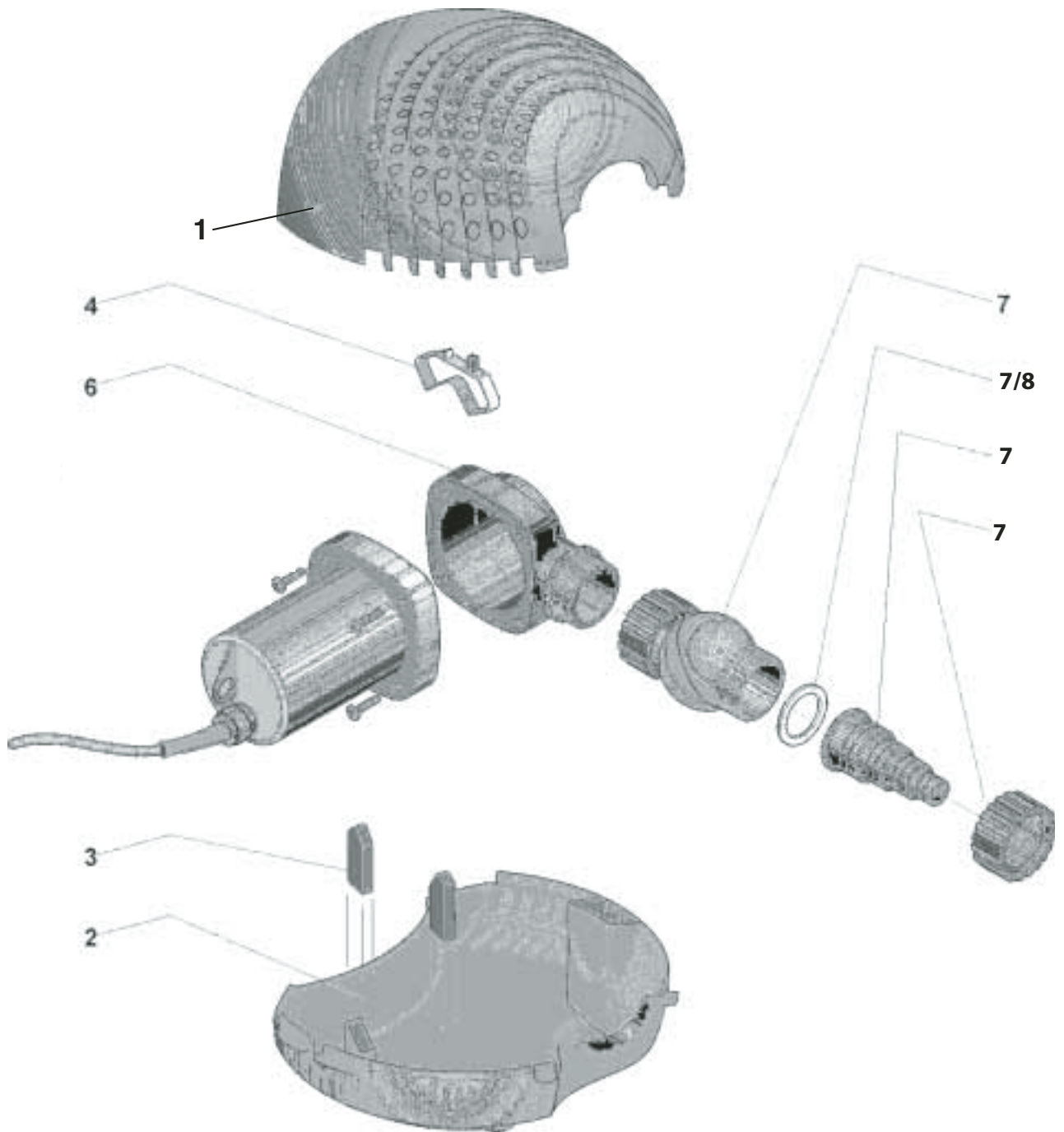
**Produkt / Product**

- 50071 AquaMax Eco 3500
- 50072 AquaMax Eco 5500
- 50073 AquaMax Eco 8500



Pos.	Produkt / Product	Artikelnr. / Item no.	Ersatzteil	Spare part
1	AquaMax Eco 3500 – 8500	35720	Oberschale AquaMax 3500-8500	Top housing AquaMax 3500-8500
2	AquaMax Eco 3500 – 8500	33050	Klemmfeder AquaMax	Clamp spring AquaMax
3	AquaMax Eco 3500	6055	Linsenschraube V2A DIN 7985 M5 x 20 H	Oval head screw V2A DIN 7985 M5 x 20 H
	AquaMax Eco 5500	6055	Linsenschraube V2A DIN 7985 M5 x 20 H	Oval head screw V2A DIN 7985 M5 x 20 H
	AquaMax Eco 8500	9957	Linsenschraube V2A DIN 7985 M5 x 30	Oval head screw V2A DIN 7985 M5 x 30
4	AquaMax Eco 3500	11654	Ersatzrotor AquaMax Eco 3500	Spare rotor AquaMax Eco 3500
	AquaMax Eco 5500	11657	Ersatzrotor AquaMax Eco 5500	Spare rotor AquaMax Eco 5500
	AquaMax Eco 8500	11653	Ersatzrotor AquaMax Eco 8500	Spare rotor AquaMax Eco 8500
5	AquaMax Eco 3500	25969	O-Ring NBR 60 x 2,5 SH70 A	O-Ring NBR 60 x 2.5 SH70 A
	AquaMax Eco 5500	25969	O-Ring NBR 60 x 2,5 SH70 A	O-Ring NBR 60 x 2.5 SH70 A
	AquaMax Eco 8500	28539	O-Ring NBR 78 x 4,3 SH70	O-Ring NBR 78 x 4.3 SH70
6	AquaMax Eco 8500	28125	Haltering Max Eco	Holder ring Max Eco
7	AquaMax Eco 3500	11825	Ersatz Pumpengehäuse Max 3500 – 5500	Spare pump housing Max 3500 – 5500
	AquaMax Eco 5500	11825	Ersatz Pumpengehäuse Max 3500 – 5500	Spare pump housing Max 3500 – 5500
	AquaMax Eco 8500	11824	Ersatz Pumpengehäuse Max 8000 – 8500	Spare pump housing Max 8000 – 8500
8	AquaMax Eco 3500 – 8500	10515	Beipack AquaMax Start Eco	Additional pack AquaMax Start Eco
9	AquaMax Eco 3500 – 8500	20629	Unterschale Filter AquaMax	Base filter housing AquaMax
10	AquaMax Eco 3500	10460	Gummipuffer hinten EC mini	Rubber pad back EC mini
	AquaMax Eco 5500	10460	Gummipuffer hinten EC mini	Rubber pad back EC mini
	AquaMax Eco 8500	10356	Gummipuffer hinten AquaMax 8500	Rubber pad back AquaMax 8500
11	AquaMax Eco 3500 – 8500	10382	Gummipuffer vorne AquaMax Start Eco	Rubber pad front AquaMax Start Eco

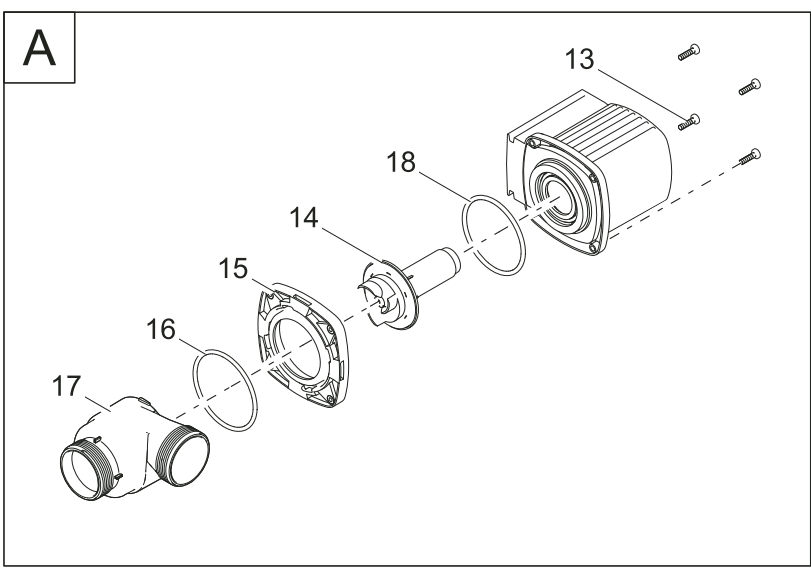
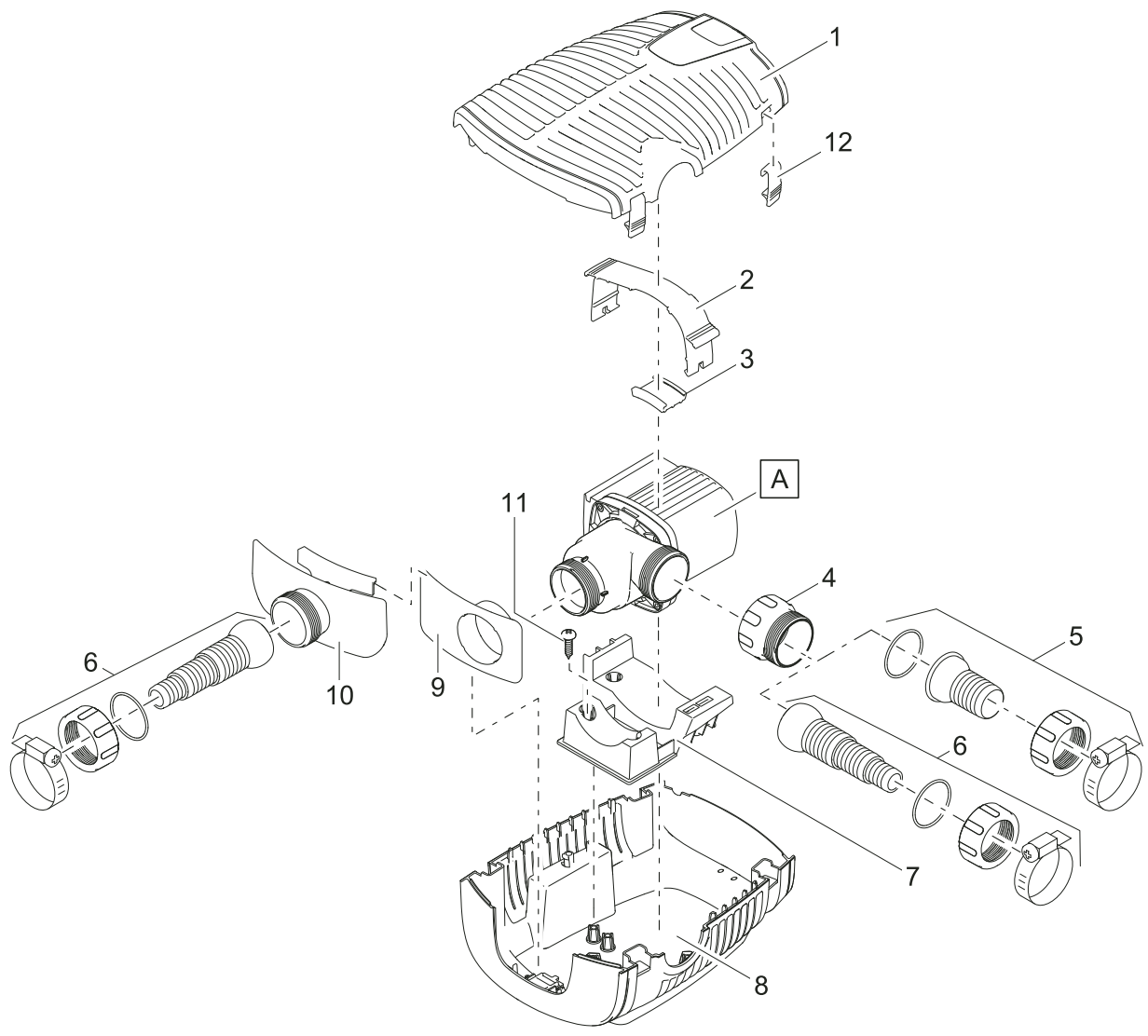
Produkt / Product  
57381 AquaMax 3500



Pos.	Produkt / Product	Artikelnr. / Item no.	Ersatzteil	Spare part
1	AquaMax 3500	35720	Oberschale AquaMax 3500 – 8500	Top housing AquaMax 3500 – 8500
2	AquaMax 3500	20629	Unterschale Filter AquaMax	Base filter housing AquaMax
3	AquaMax 3500	20797	Steckpuffer unten AquaMax neu	Push pad base AquaMax new
4	AquaMax 3500	33050	Klemmfeder AquaMax	Clamp spring AquaMax
6	AquaMax 3500	19175	Pumpengehäuse AquaMax 3500 – 10000	Pump housing AquaMax 3500 – 10000
7	AquaMax 3500	29297	Beipack AquaMax 3500 – 15000	Additional pack AquaMax 3500 – 15000
8	AquaMax 3500	19491	Flachdichtung Tülle 1½"	Flat gasket hose tail 1½"

Produkt / Product

- 50734 AquaMax Eco Premium 4000
- 50736 AquaMax Eco Premium 6000
- 50740 AquaMax Eco Premium 8000
- 51078 AquaMax Eco Premium 10000



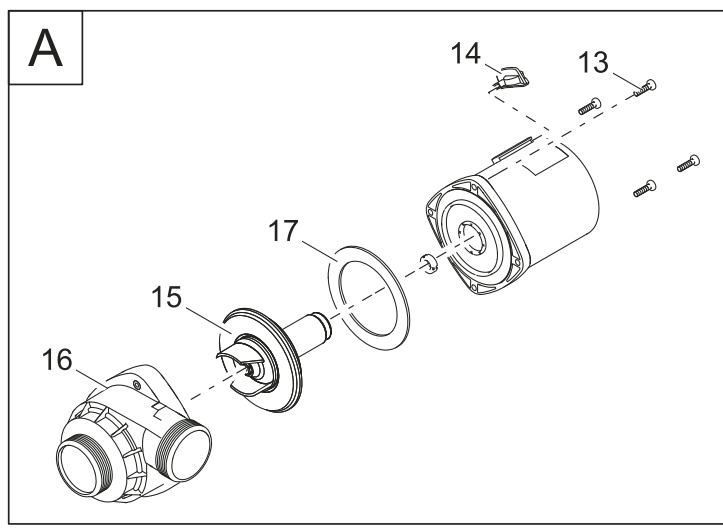
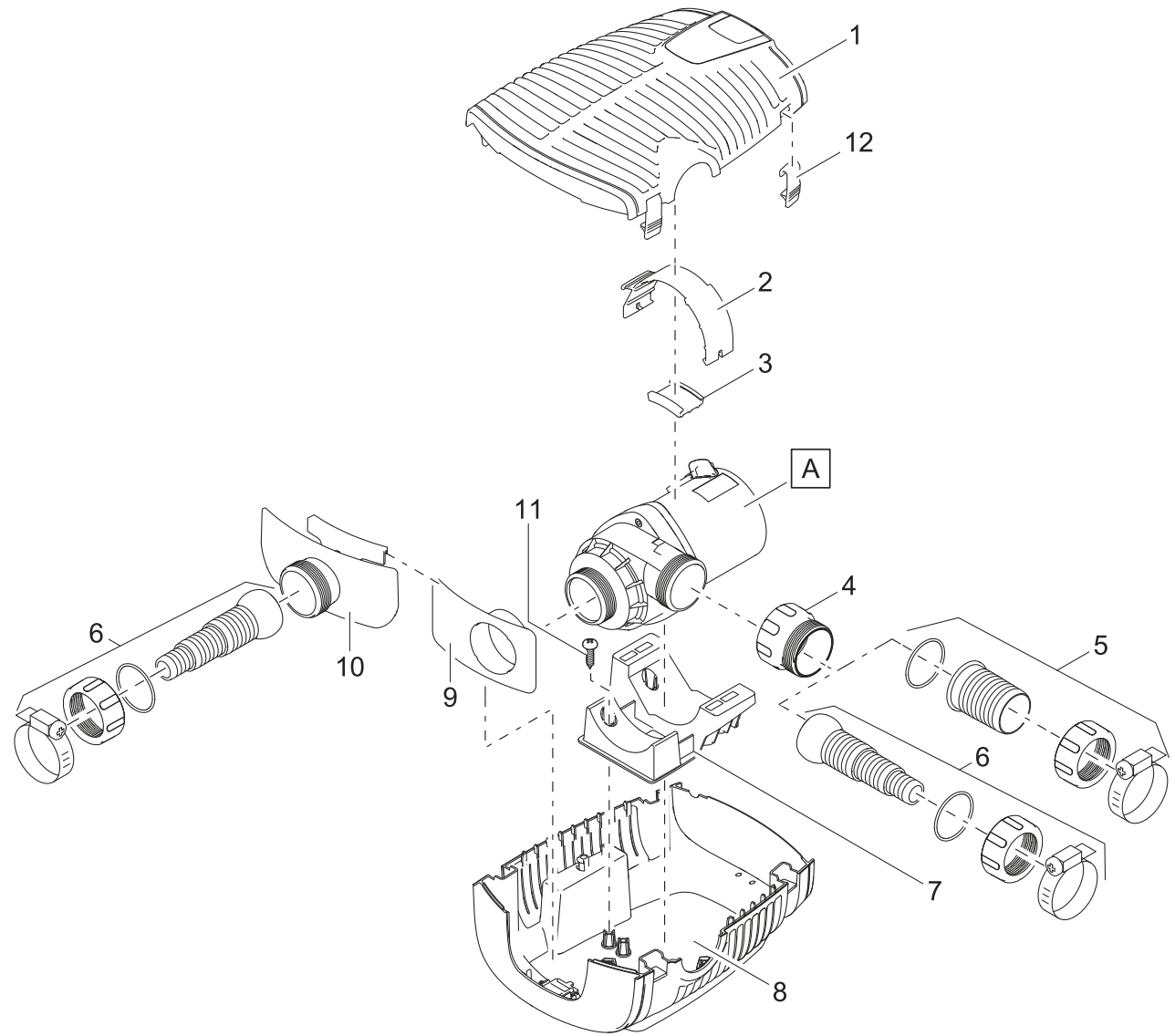


Pos.	Produkt / Product	Artikelnr. / Item no.	Ersatzteil	Spare part
1	AquaMax Eco Premium 4000 – 10000	17963	Ersatz Filterschale oben AquaMax Eco Premium	Spare filter housing top AquaMax Eco Premium
2	AquaMax Eco Premium 4000 – 10000	16978	Klammer EC1	Clamp EC1
3	AquaMax Eco Premium 4000 – 10000	17232	Gummieinsatz AquaMax Pro	Rubber part AquaMax Pro
4	AquaMax Eco Premium 4000 – 10000	16859	Adapter 2"	Adapter 2"
5	AquaMax Eco Premium 4000	17064	Beipack AquaMax Eco 1½"	Add. pack AquaMax Eco 1½"
	AquaMax Eco Premium 6000	17064	Beipack AquaMax Eco 1½"	Add. pack AquaMax Eco 1½"
	AquaMax Eco Premium 8000	17069	Beipack AquaMax Eco 2"	Add. pack AquaMax Eco 2"
	AquaMax Eco Premium 10000	17069	Beipack AquaMax Eco 2"	Add. pack AquaMax Eco 2"
6	AquaMax Eco Premium 4000 – 10000	17272	Beipack AquaMax Eco 1" – 1½"	Add. pack AquaMax Eco 1" – 1½"
7	AquaMax Eco Premium 4000 – 10000	16961	Pumpenhalter EC1 AquaMax Pro	Pump holder EC1 AquaMax Pro
8	AquaMax Eco Premium 4000 – 10000	17962	Ersatz Filterschale unten AquaMax Eco Premium	Spare filter housing base AquaMax Eco Premium
9	AquaMax Eco Premium 4000 – 10000	16867	Saugadapter AquaMax Pro	Suction adapter AquaMax Pro
10	AquaMax Eco Premium 4000 – 10000	16866	Regler AquaMax Pro	Regulator AquaMax Pro
11	AquaMax Eco Premium 4000 – 10000	4 x 22853	Linsenschraube CH-V2A DIN 7981 4,8 x 19	Oval head screw CH-V2A DIN 7981 4.8 x 19
12	AquaMax Eco Premium 4000 – 10000	30983	Clip Bitron Eco / AquaMax	Clip Bitron Eco / AquaMax
13	AquaMax Eco Premium 4000 – 10000	4 x 6055	Linsenschraube V2A DIN 7985 M5 x 20 H	Oval head screw V2A DIN 7985 M5 x 20 H
14	AquaMax Eco Premium 4000	17964	Ersatzrotor AquaMax Eco Premium 4000 – 8000	Spare rotor AquaMax Eco Premium 4000 – 8000
	AquaMax Eco Premium 6000	17964	Ersatzrotor AquaMax Eco Premium 4000 – 8000	Spare rotor AquaMax Eco Premium 4000 – 8000
	AquaMax Eco Premium 8000	17964	Ersatzrotor AquaMax Eco Premium 4000 – 8000	Spare rotor AquaMax Eco Premium 4000 – 8000
	AquaMax Eco Premium 10000	21459	Ersatzrotor AquaMax Eco Premium 10000	Spare rotor AquaMax Eco Premium 10000
15	AquaMax Eco Premium 4000 – 10000	35468	BG Zwischengehäuse EC1 vormontiert	ASM inside housing EC1 pre-assembled
16	AquaMax Eco Premium 4000 – 10000	28539	O-Ring NBR 78 x 4,3 SH70	O-Ring NBR 78 x 4.3 SH70
17	AquaMax Eco Premium 4000	17966	Ersatzpumpengeh. AquaMax Eco Premium 4000	Spare pump housing AquaMax Eco Premium 4000
	AquaMax Eco Premium 6000	17967	Ersatzpumpengeh. AquaMax Eco Premium 6000	Spare pump housing AquaMax Eco Premium 6000
	AquaMax Eco Premium 8000	17968	Ersatzpumpengeh. AquaMax Eco Premium 8000	Spare pump housing AquaMax Eco Premium 8000
	AquaMax Eco Premium 10000	21460	Ersatzpumpengeh. AquaMax Eco Premium 10000	Spare pump housing AquaMax Eco Premium 10000
18	AquaMax Eco Premium 4000 – 10000	28539	O-Ring NBR 78 x 4,3 SH70	O-Ring NBR 78 x 4.3 SH70

Produkt / Product

50742 AquaMax Eco Premium 12000

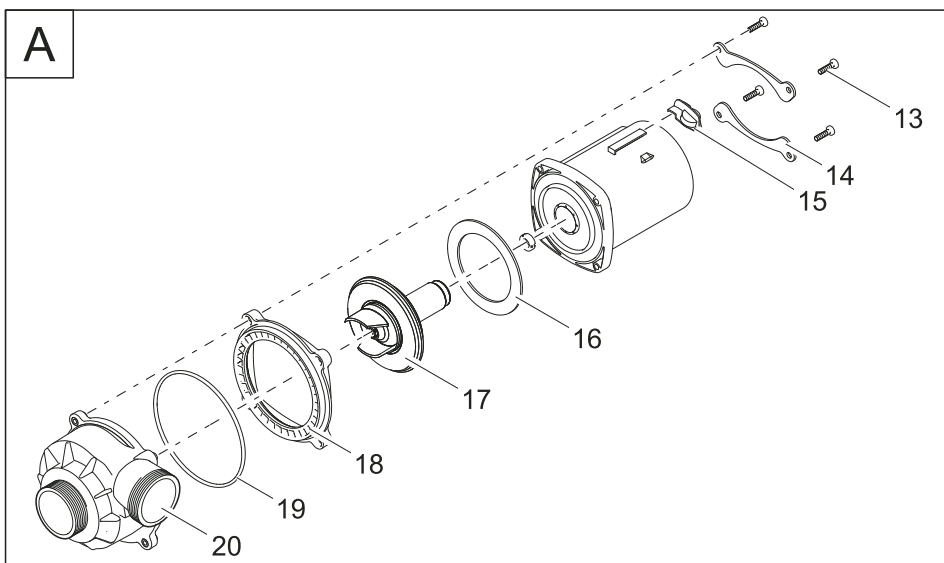
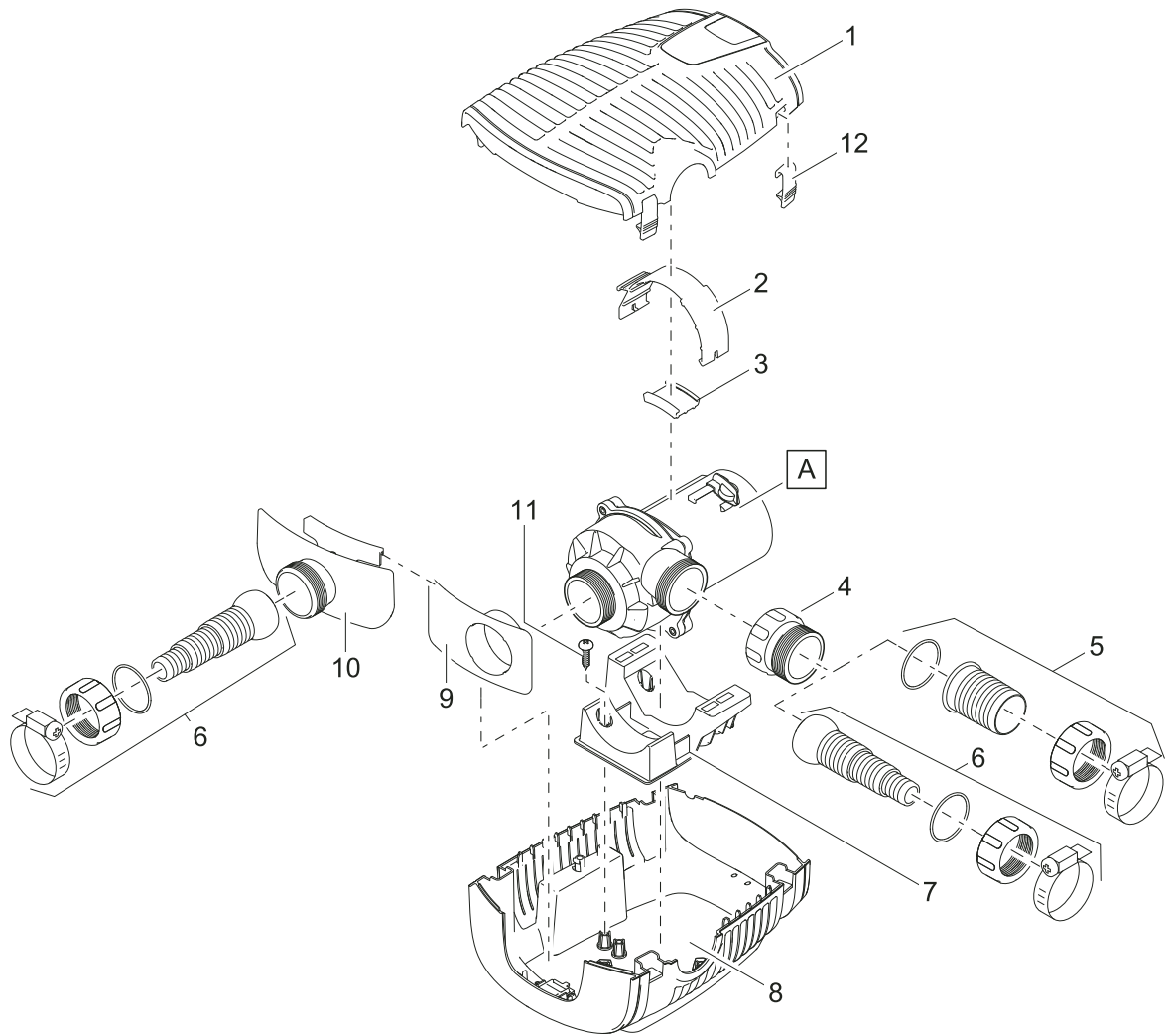
50745 AquaMax Eco Premium 16000



Pos.	Produkt / Product	Artikelnr. / Item no.	Ersatzteil	Spare part
1	AquaMax Eco Premium 12000 – 16000	17963	Ersatz Filterschale oben AquaMax Eco Premium	Spare filter housing top AquaMax Eco Premium
2	AquaMax Eco Premium 12000 – 16000	16982	Klammer EC2	Clamp EC2
3	AquaMax Eco Premium 12000 – 16000	17232	Gummieinsatz AquaMax Pro	Rubber part AquaMax Pro
4	AquaMax Eco Premium 12000 – 16000	16859	Adapter 2"	Adapter 2"
5	AquaMax Eco Premium 12000 – 16000	17069	Beipack AquaMax Eco 2"	Add. pack AquaMax Eco 2"
6	AquaMax Eco Premium 12000 – 16000	17272	Beipack AquaMax Eco 1" – 1½"	Add. pack AquaMax Eco 1" – 1½"
7	AquaMax Eco Premium 12000 – 16000	16956	Pumpenhalter EC2 AquaMax Pro	Pump holder EC2 AquaMax Pro
8	AquaMax Eco Premium 12000 – 16000	17962	Ersatz Filterschale unten AquaMaxEco Premium	Spare filter housing base AquaMaxEco Premium
9	AquaMax Eco Premium 12000 – 16000	16867	Saugadapter AquaMax Pro	Suction adapter AquaMax Pro
10	AquaMax Eco Premium 12000 – 16000	16866	Regler AquaMax Pro	Regulator AquaMax Pro
11	AquaMax Eco Premium 12000 – 16000	4 x 22853	Linsenschraube CH-V2A DIN 7981 4,8 x 19	Oval head screw CH-V2A DIN 7981 4.8 x 19
12	AquaMax Eco Premium 12000 – 16000	30983	Clip Bitron Eco / AquaMax	Clip Bitron Eco / AquaMax
13	AquaMax Eco Premium 12000 – 16000	4 x 6055	Linsenschraube V2A DIN 7985 M5 x 20 H	Oval head screw V2A DIN 7985 M5 x 20 H
14	AquaMax Eco Premium 12000 – 16000	35763	BG Schieber EC2	ASM slider EC2
15	AquaMax Eco Premium 12000 – 16000	17965	Ersatzrotor AquaMax Eco Premium 12000 – 16000	Spare rotor AquaMax Eco Premium 12000 – 16000
16	AquaMax Eco Premium 12000	17969	Ersatzpumpegeh. AquaMax Eco Premium 12000	Spare pump housing AquaMax Eco Premium 12000
	AquaMax Eco Premium 16000	17970	Ersatzpumpegeh. AquaMax Eco Premium 16000	Spare pump housing AquaMax Eco Premium 16000
17	AquaMax Eco Premium 12000 – 16000	17513	Flachdichtung 107 x 78 x 2,5 USP 16 hell	Flat gasket 107 x 78 x 2.5 USP 16 light

Produkt / Product

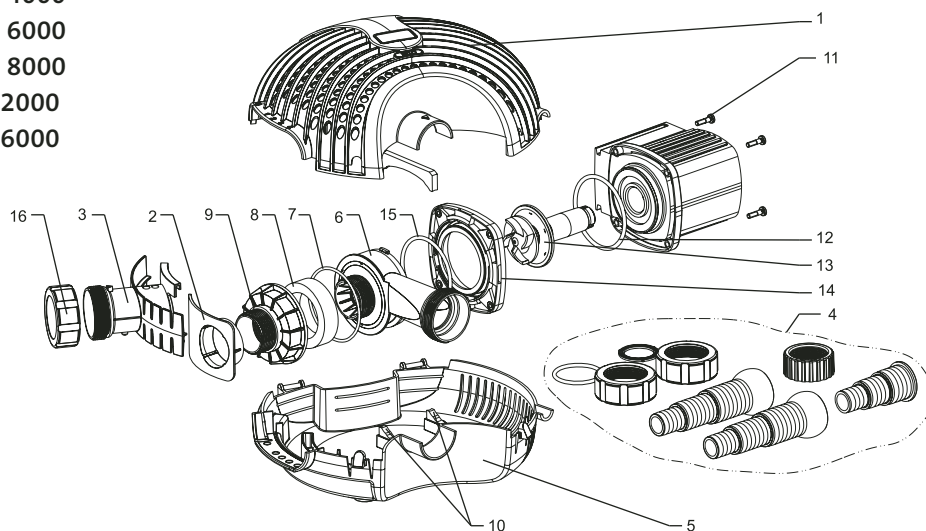
56406 AquaMax Eco Premium 20000



Pos.	Produkt / Product	Artikelnr. / Item no.	Ersatzteil	Spare part
1	AquaMax Eco Premium 20000	17963	Ersatz Filterschale oben AquaMax Eco Premium	Spare filter housing top AquaMax Eco Premium
2	AquaMax Eco Premium 20000	16982	Klammer EC2	Clamp EC2
3	AquaMax Eco Premium 20000	17232	Gummieinsatz AquaMax Pro	Rubber part AquaMax Pro
4	AquaMax Eco Premium 20000	16859	Adapter 2"	Adapter 2"
5	AquaMax Eco Premium 20000	17069	Beipack AquaMax Eco 2"	Add. pack AquaMax Eco 2"
6	AquaMax Eco Premium 20000	17272	Beipack AquaMax Eco 1" – 1½"	Add. pack AquaMax Eco 1" – 1½"
7	AquaMax Eco Premium 20000	30231	Pumpenhalter EC2-XL	Pump holder EC2-XL
8	AquaMax Eco Premium 20000	17962	Ersatz Filterschale unten AquaMax Eco Premium	Spare filter housing base AquaMax Eco Premium
9	AquaMax Eco Premium 20000	16867	Saugadapter AquaMax Pro	Suction adapter AquaMax Pro
10	AquaMax Eco Premium 20000	16866	Regler AquaMax Pro	Regulator AquaMax Pro
11	AquaMax Eco Premium 20000	22853	Linsenschraube CH-V2A DIN 7981 4,8 x 19	Oval head screw CH-V2A DIN 7981 4.8 x 19
12	AquaMax Eco Premium 20000	30983	Clip Bitron Eco / AquaMax	Clip Bitron Eco / AquaMax
13	AquaMax Eco Premium 20000	6056	Linsenschraube V2A DIN 7985 5 x 22	Oval head screw V2A DIN 7985 5 x 22
14	AquaMax Eco Premium 20000	30218	Adapter Zwischengehäuse EC 2	Adapter intermediate housing EC 2
15	AquaMax Eco Premium 20000	35763	BG Schieber EC2	ASM slider EC2
16	AquaMax Eco Premium 20000	17513	Flachdichtung 107 x 78 x 2,5 USP 16 hell	Flat gasket 107 x 78 x 2.5 USP 16 light
17	AquaMax Eco Premium 20000	30538	Ersatzrotor AquaMax Eco Premium 20000	Spare rotor AquaMax Eco Premium 20000
18	AquaMax Eco Premium 20000	30217	Zwischengehäuse EC 2	Intermediate housing EC 2
19	AquaMax Eco Premium 20000	15574	O-Ring NBR 125 x 3,5 SH70	O-Ring NBR 125 x 3.5 SH70
20	AquaMax Eco Premium 20000	30235	BG Pumpengehäuse AquaMax Eco Premium 20000	ASM Pumphousing AquaMax Eco Premium 20000

**Produkt / Product**

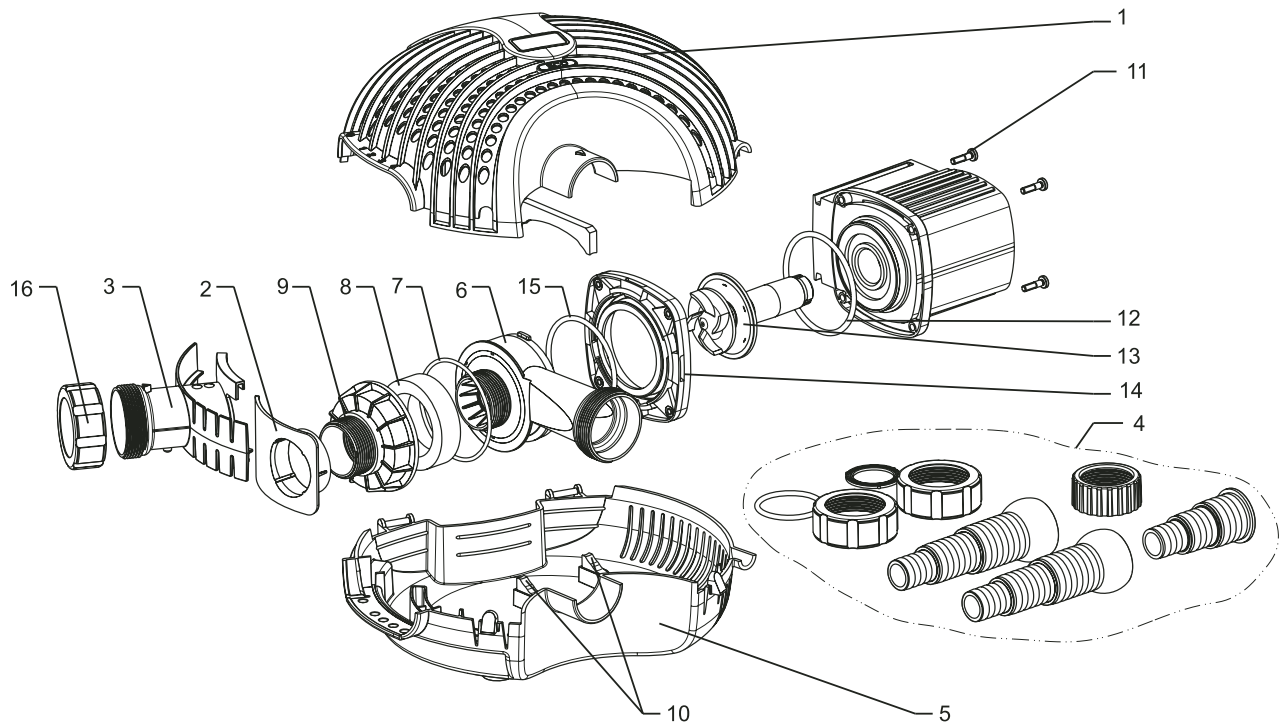
- 57352 AquaMax Eco R 4000
- 57354 AquaMax Eco R 6000
- 57356 AquaMax Eco R 8000
- 57358 AquaMax Eco 12000
- 57361 AquaMax Eco 16000



Pos.	Produkt / Product	Artikelnr. / Item no.	Ersatzteil	Spare part
1	AquaMax Eco R 4000 – 16000	34948	Oberschale AquaMax 03	Top housing AquaMax 03
2	AquaMax Eco R 4000 – 16000	34945	Saugadapter AquaMax 03	Suction adapter AquaMax 03
3	AquaMax Eco R 4000 – 16000	34947	Regler AquaMax 03 incl. 2" Kappe	Regulator AquaMax 03 incl. 2" cap
4	AquaMax Eco R 4000	35459	Beipack Anschluss Kit AquaMax Eco 4000 – 8000	Add. pack kit AquaMax Eco 4000 – 8000
	AquaMax Eco R 6000	35459	Beipack Anschluss Kit AquaMax Eco 4000 – 8000	Add. pack kit AquaMax Eco 4000 – 8000
	AquaMax Eco R 8000	35459	Beipack Anschluss Kit AquaMax Eco 4000 – 8000	Add. pack kit AquaMax Eco 4000 – 8000
	AquaMax Eco 12000	14847	Beipack Anschl. Kit AquaMax Eco 12000 – 16000	Add. pack kit AquaMax Eco 12000 – 16000
	AquaMax Eco 16000	14847	Beipack Anschl. Kit AquaMax Eco 12000 – 16000	Add. pack kit AquaMax Eco 12000 – 16000
5	AquaMax Eco R 4000 – 16000	34944	Unterschale AquaMax 03	Base filter housing AquaMax 03
6	AquaMax Eco R 4000	35785	Pumpengehäuse frosts. 2-1 D25	Pump housing anti-freeze 2-1 D25
	AquaMax Eco R 6000	35774	Pumpengehäuse frosts. 2-1 D28	Pump housing anti-freeze 2-1 D28
	AquaMax Eco R 8000	35775	Pumpengehäuse frosts. 2-1 D30	Pump housing anti-freeze 2-1 D30
	AquaMax Eco 12000	28930	Pumpengehäuse EC2 12000 D30	Pump housing Varionaut 2 12000 D30
	AquaMax Eco 16000	29296	Pumpengehäuse EC2 16000 D33	Pump housing Varionaut 2 16000 D33
7	AquaMax Eco R 4000 – 16000	3580	O-Ring NBR 80 x 3 SH75	O-Ring NBR 80 x 3 SH75
8	AquaMax Eco R 4000 – 16000	26002	Frostschutzschaum 2-1	Anti-freezing foam 2-1
9	AquaMax Eco R 4000 – 16000	34949	Frostschutzgehäuse 2-1 AquaMax 03	Anti-freeze housing 2-1 AquaMax 03
10	AquaMax Eco R 4000 – 16000	27949	Gummipuffer AquaMax Eco	Rubber pad AquaMax Eco
11	AquaMax Eco R 4000 – 16000	6055	Linsenschraube V2A DIN 7985 M5 x 20 H	Oval head screw V2A DIN 7985 M5 x 20 H
12	AquaMax Eco R 4000 – 16000	28539	O-Ring NBR 78 x 4,3 SH70	O-Ring NBR 78 x 4.3 SH70
13	AquaMax Eco R 4000	35817	Ersatzrotor kpl. AquaMax Eco R 4000	Spare rotor cpl. AquaMax Eco R 4000
	AquaMax Eco R 6000	35787	Rotor kpl. AquaMax Eco 6000 / 8000 / 6000 12V	Impeller cpl. AquaMax Eco 6000 / 8000 / 6000 12V
	AquaMax Eco R 8000	35787	Rotor kpl. AquaMax Eco 6000 / 8000 / 6000 12V	Impeller cpl. AquaMax Eco 6000 / 8000 / 6000 12V
	AquaMax Eco 12000	35818	Ersatzrotor kpl. AquaMax Eco 12000 – 16000	Spare rotor cpl. AquaMax Eco 12000 – 16000
	AquaMax Eco 16000	35818	Ersatzrotor kpl. AquaMax Eco 12000 – 16000	Spare rotor cpl. AquaMax Eco 12000 – 16000
14	AquaMax Eco R 4000	35468	BG Zwischengehäuse EC1 vormontiert	ASM inside housing EC1 pre-assembled
	AquaMax Eco R 6000	35468	BG Zwischengehäuse EC1 vormontiert	ASM inside housing EC1 pre-assembled
	AquaMax Eco R 8000	35468	BG Zwischengehäuse EC1 vormontiert	ASM inside housing EC1 pre-assembled
15	AquaMax Eco R 4000	3635	O-Ring SI 76 x 4 SH50 rot/br.	O-Ring SI 76 x 4 SH50 red/br.
	AquaMax Eco R 6000	3635	O-Ring SI 76 x 4 SH50 rot/br.	O-Ring SI 76 x 4 SH50 red/br.
	AquaMax Eco R 8000	3635	O-Ring SI 76 x 4 SH50 rot/br.	O-Ring SI 76 x 4 SH50 red/br.
16	AquaMax Eco R 4000 – 16000	25993	Schraubkappe 2"	Screw cap 2"

Produkt / Product

- 50302 AquaMax Eco CWS 4000
- 50303 AquaMax Eco CWS 6000
- 50304 AquaMax Eco CWS 8000

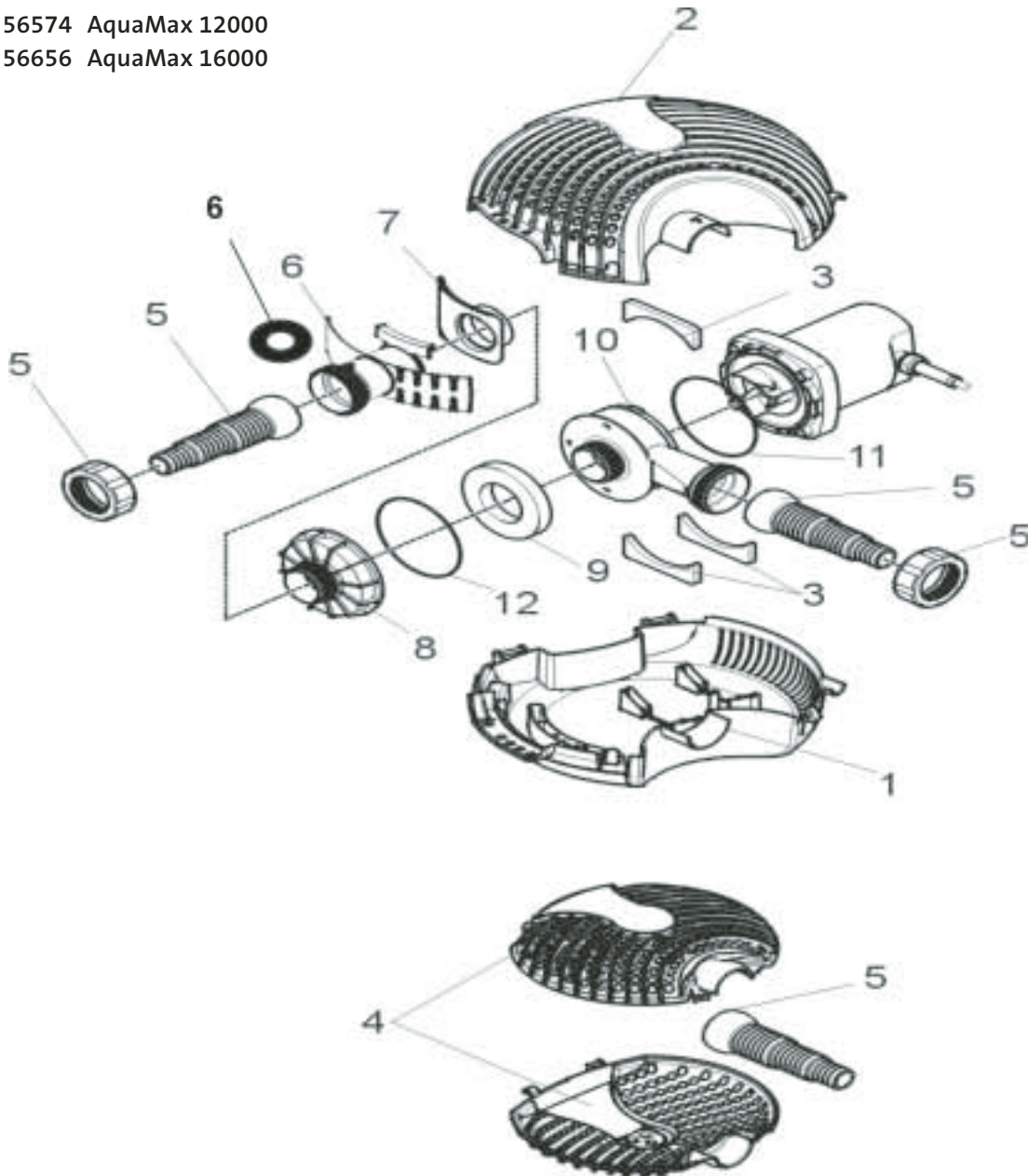


Pos.	Produkt / Product	Artikelnr. / Item no.	Ersatzteil	Spare part
1	AquaMax Eco CWS 4000 – 8000	34948	Oberschale AquaMax 03	Top housing AquaMax 03
2	AquaMax Eco CWS 4000 – 8000	34945	Saugadapter AquaMax 03	Suction adapter AquaMax 03
3	AquaMax Eco CWS 4000 – 8000	34947	Regler AquaMax 03 incl. 2" Kappe	Regulator AquaMax 03 incl. 2" cap
4	AquaMax Eco CWS 4000 – 8000	35459	Beipack Anschluss Kit AquaMax Eco 4000 – 8000	Add. pack kit AquaMax Eco 4000 – 8000
5	AquaMax Eco CWS 4000 – 8000	34944	Unterschale AquaMax 03	Base filter housing AquaMax 03
6	AquaMax Eco CWS 4000	35460	Pumpengehäuse frosts. 2-1 D20	Pump housing anti-freeze 2-1 D20
	AquaMax Eco CWS 6000	35497	Pumpengehäuse frosts. 2-1 D22	Pump housing anti-freeze 2-1 D22
	AquaMax Eco CWS 8000	35785	Pumpengehäuse frosts. 2-1 D25	Pump housing anti-freeze 2-1 D25
7	AquaMax Eco CWS 4000 – 8000	3580	O-Ring NBR 80 x 3 SH75	O-Ring NBR 80 x 3 SH75
8	AquaMax Eco CWS 4000 – 8000	26002	Frostschutzschaum 2-1	Anti-freezing foam 2-1
9	AquaMax Eco CWS 4000 – 8000	34949	Frostschutzgehäuse 2-1 AquaMax 03	Anti-freeze housing 2-1 AquaMax 03
10	AquaMax Eco CWS 4000 – 8000	27949	Gummipuffer AquaMax Eco	Rubber pad AquaMax Eco
11	AquaMax Eco CWS 4000 – 8000	6055	Linsenschraube V2A DIN 7985 M5 x 20 H	Oval head screw V2A DIN 7985 M5 x 20 H
12	AquaMax Eco CWS 4000 – 8000	28539	O-Ring NBR 78 x 4,3 SH70	O-Ring NBR 78 x 4.3 SH70
13	AquaMax Eco CWS 4000	35513	Ersatzrotor kpl. AquaMax Eco 4000	Spare rotor cpl. AquaMax Eco 4000
	AquaMax Eco CWS 6000	35514	Ersatzrotor kpl. AquaMax Eco 6000	Spare rotor cpl. AquaMax Eco 6000
	AquaMax Eco CWS 8000	35515	Ersatzrotor kpl. AquaMax Eco 8000	Spare rotor cpl. AquaMax Eco 8000
14	AquaMax Eco CWS 4000 – 8000	35468	BG Zwischengehäuse EC1 vormontiert	ASM inside housing EC1 pre-assembled
15	AquaMax Eco CWS 4000 – 8000	3635	O-Ring SI 76 x 4 SH50 rot/br.	O-Ring SI 76 x 4 SH50 red/br.
16	AquaMax Eco CWS 4000 – 8000	25993	Schraubkappe 2"	Screw cap 2"

Produkt / Product

56574 AquaMax 12000

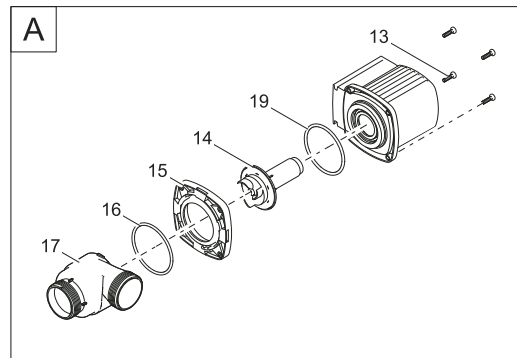
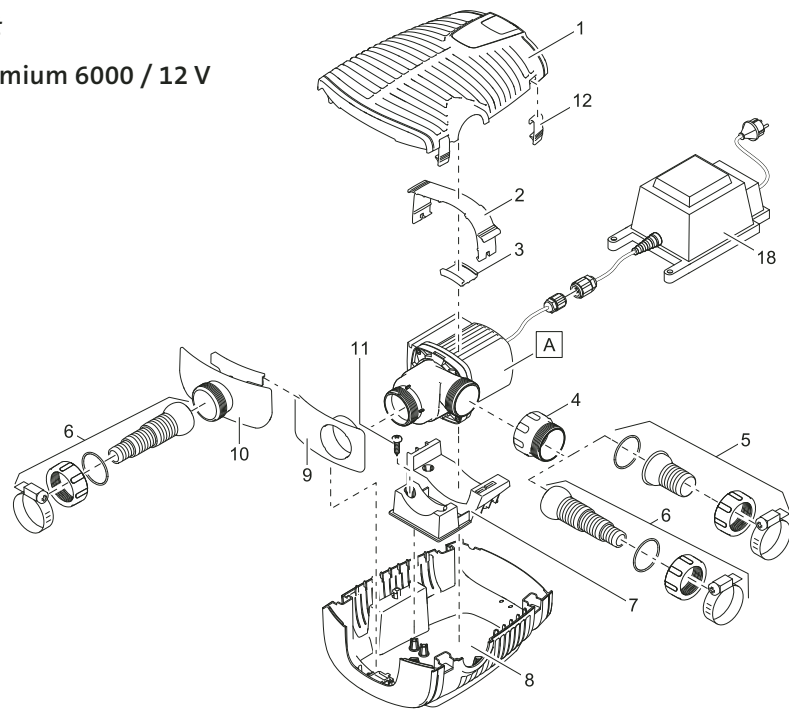
56656 AquaMax 16000



Pos.	Produkt / Product	Artikelnr. / Item no.	Ersatzteil	Spare part
1	AquaMax 12000 – 16000	34944	Unterschale AquaMax 03	Base filter housing AquaMax 03
2	AquaMax 12000 – 16000	34948	Oberschale AquaMax 03	Top housing AquaMax 03
3	AquaMax 12000 – 16000	25451	Gummipuffer 2	Rubber pad 2
4	AquaMax 12000 – 16000	34946	Satellitenfilterschale	Satellite filter shell
5	AquaMax 12000 – 16000	34951	Beipack Anschluss Kit AquaMax 03	Add. pack kit AquaMax 03
6	AquaMax 12000 – 16000	34947	Regler AquaMax 03 incl. 2" Kappe	Regulator AquaMax 03 incl. 2" cap
7	AquaMax 12000 – 16000	34945	Saugadapter AquaMax 03	Suction adapter AquaMax 03
8	AquaMax 12000 – 16000	34961	Frostschutzgehäuse 2-2 AquaMax 03	Anti-freeze housing 2-2 AquaMax 03
9	AquaMax 12000 – 16000	26003	Frostschutzschaum 2-2	Anti-freezing foam 2-2
10	AquaMax 12000	35011	Pumpengehäuse frosts. 2-2 D31,5	Pump housing anti-freeze 2-2 D31.5
	AquaMax 16000	35012	Pumpengehäuse frosts. 2-2 D40	Pump housing anti-freeze 2-2 D40
11	AquaMax 12000 – 16000	3635	O-Ring SI 76 x 4 SH50 rot/br.	O-Ring SI 76 x 4 SH50 red/br.
12	AquaMax 12000 – 16000	3594	O-Ring NBR 100 x 4 SH75	O-Ring NBR 100 x 4 SH75



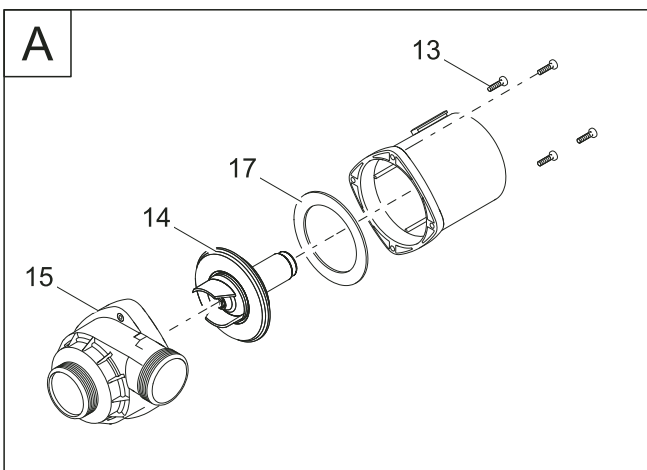
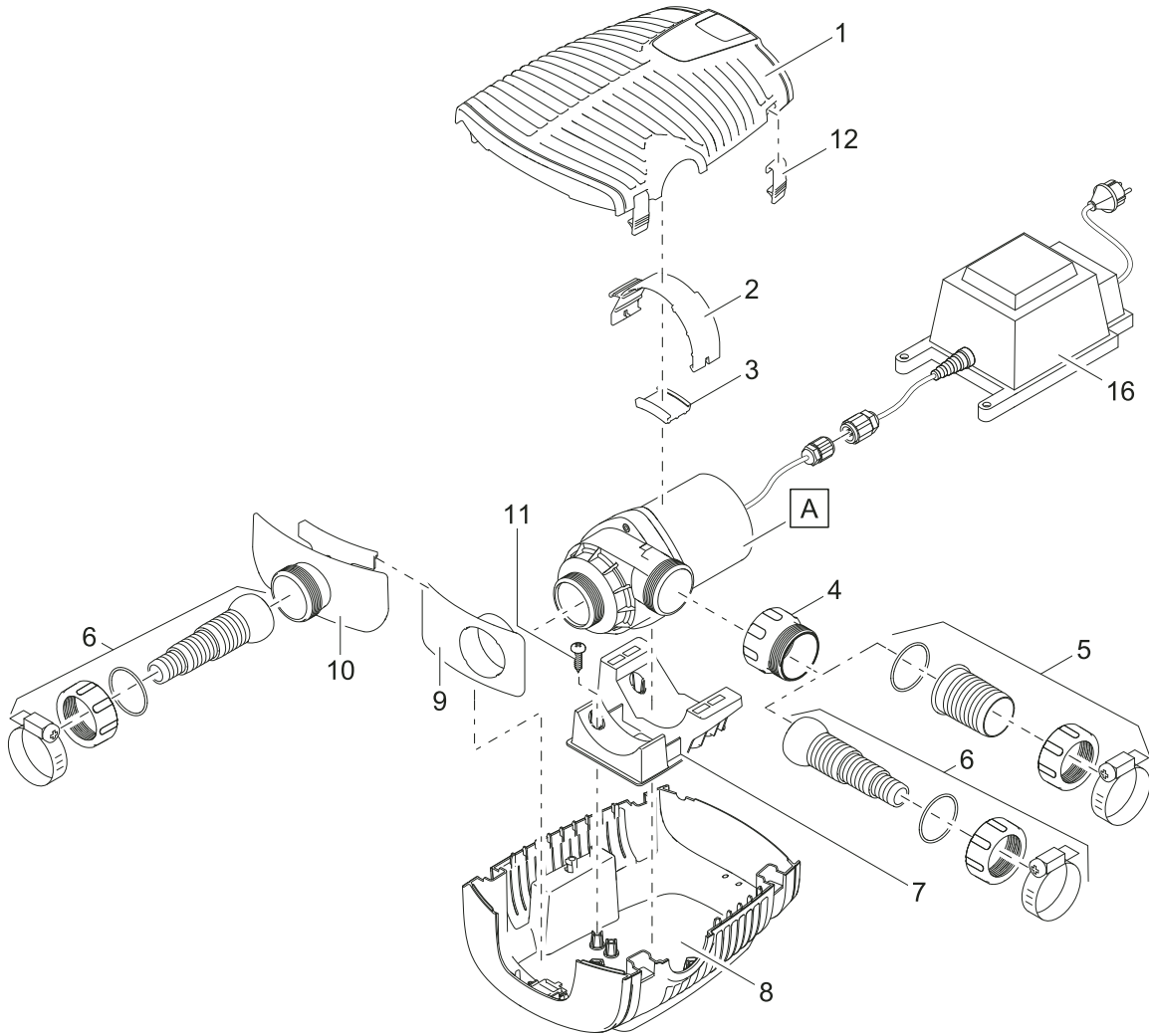
Produkt / Product  
50730 AquaMax Eco Premium 6000 / 12 V



Pos.	Produkt / Product	Artikelnr. / Item no.	Ersatzteil	Spare part
1	AquaMax Eco Premium 6000 / 12 V	17963	Ersatz Filterschale oben AquaMax Eco Premium	Spare filter housing top AquaMax Eco Premium
2	AquaMax Eco Premium 6000 / 12 V	16961	Pumpenhalter EC1 AquaMax Pro	Pump holder EC1 AquaMax Pro
3	AquaMax Eco Premium 6000 / 12 V	17232	Gummiemansatz AquaMax Pro	Rubber part AquaMax Pro
4	AquaMax Eco Premium 6000 / 12 V	16859	Adapter 2"	Adapter 2"
5	AquaMax Eco Premium 6000 / 12 V	17064	Beipack AquaMax Eco 1½"	Add. pack AquaMax Eco 1½"
6	AquaMax Eco Premium 6000 / 12 V	17272	Beipack AquaMax Eco 1" – 1½"	Add. pack AquaMax Eco 1" – 1½"
7	AquaMax Eco Premium 6000 / 12 V	16961	Pumpenhalter EC1 AquaMax Pro	Pump holder EC1 AquaMax Pro
8	AquaMax Eco Premium 6000 / 12 V	17962	Ersatz Filterschale unten AquaMax Eco Premium	Spare filter housing base AquaMax Eco Premium
9	AquaMax Eco Premium 6000 / 12 V	16867	Saugadapter AquaMax Pro	Suction adapter AquaMax Pro
10	AquaMax Eco Premium 6000 / 12 V	16866	Regler AquaMax Pro	Regulator AquaMax Pro
11	AquaMax Eco Premium 6000 / 12 V	22853	Linsenschraube CH-V2A DIN 7981 4,8 x 19	Oval head screw CH-V2A DIN 7981 4.8 x 19
12	AquaMax Eco Premium 6000 / 12 V	30983	Clip Bitron Eco / AquaMax	Clip Bitron Eco / AquaMax
13	AquaMax Eco Premium 6000 / 12 V	6055	Linsenschraube V2A DIN 7985 M5 x 20 H	Oval head screw V2A DIN 7985 M5 x 20 H
14	AquaMax Eco Premium 6000 / 12 V	17964	Ersatzrotor AquaMax Eco Premium 4000 – 8000	Spare rotor AquaMax Eco Premium 4000 – 8000
15	AquaMax Eco Premium 6000 / 12 V	35468	BG Zwischengehäuse EC1 vormontiert	ASM inside housing EC1 pre-assembled
16	AquaMax Eco Premium 6000 / 12 V	28539	O-Ring NBR 78 x 4,3 SH70	O-Ring NBR 78 x 4.3 SH70
17	AquaMax Eco Premium 6000 / 12 V	17967	Ersatzpumpengeh. AquaMax Eco Premium 6000	Spare pump housing AquaMax Eco Premium 6000
18	AquaMax Eco Premium 6000 / 12 V	35807	Ersatz Trafo AquaMax 12 V	Spare part transformer AquaMax 12 V
19	AquaMax Eco Premium 6000 / 12 V	28539	O-Ring NBR 78 x 4,3 SH70	O-Ring NBR 78 x 4.3 SH70

Produkt / Product

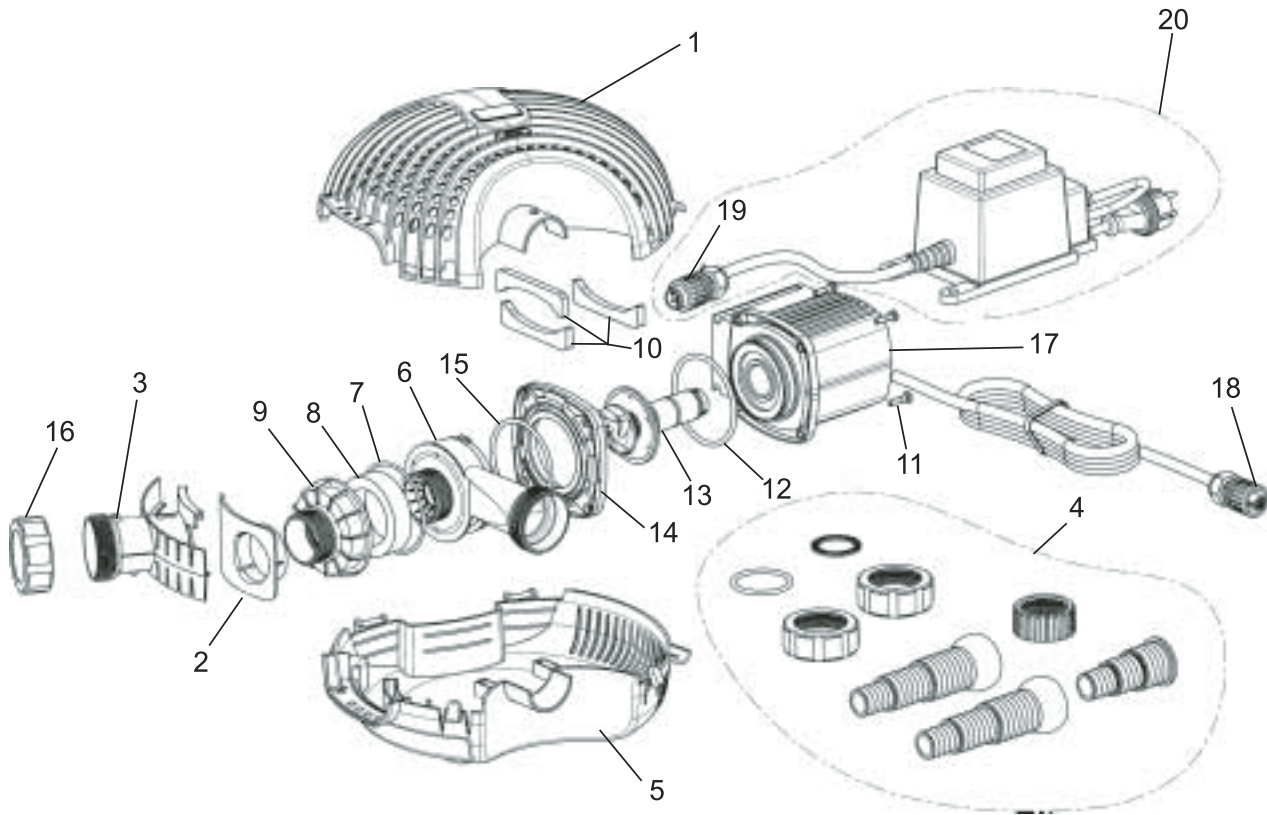
50382 AquaMax Eco Premium 12000 / 12 V



Pos.	Produkt / Product	Artikelnr. / Item no.	Ersatzteil	Spare part
1	AquaMax Eco Premium 12000 / 12 V	<b>17963</b>	Ersatz Filterschale oben AquaMax Eco Premium	<i>Spare filter housing top AquaMax Eco Premium</i>
2	AquaMax Eco Premium 12000 / 12 V	<b>16982</b>	Klammer EC2	<i>Clamp EC2</i>
3	AquaMax Eco Premium 12000 / 12 V	<b>17232</b>	Gummieminsatz AquaMax Pro	<i>Rubber part AquaMax Pro</i>
4	AquaMax Eco Premium 12000 / 12 V	<b>16859</b>	Adapter 2"	<i>Adapter 2"</i>
5	AquaMax Eco Premium 12000 / 12 V	<b>17069</b>	Beipack AquaMax Eco 2"	<i>Add. pack AquaMax Eco 2"</i>
6	AquaMax Eco Premium 12000 / 12 V	<b>17272</b>	Beipack AquaMax Eco 1" – 1½"	<i>Add. pack AquaMax Eco 1" – 1½"</i>
7	AquaMax Eco Premium 12000 / 12 V	<b>16956</b>	Pumpenhalter EC2 AquaMax Pro	<i>Pump holder EC2 AquaMax Pro</i>
8	AquaMax Eco Premium 12000 / 12 V	<b>17962</b>	Ersatz Filterschale unten AquaMax Eco Premium	<i>Spare filter housing base AquaMax Eco Premium</i>
9	AquaMax Eco Premium 12000 / 12 V	<b>16867</b>	Saugadapter AquaMax Pro	<i>Suction adapter AquaMax Pro</i>
10	AquaMax Eco Premium 12000 / 12 V	<b>16866</b>	Regler AquaMax Pro	<i>Regulator AquaMax Pro</i>
11	AquaMax Eco Premium 12000 / 12 V	<b>22853</b>	Linsenschraube CH-V2A DIN 7981 4,8 x 19	<i>Oval head screw CH-V2A DIN 7981 4.8 x 19</i>
12	AquaMax Eco Premium 12000 / 12 V	<b>30983</b>	Clip Bitron Eco / AquaMax	<i>Clip Bitron Eco / AquaMax</i>
13	AquaMax Eco Premium 12000 / 12 V	<b>6055</b>	Linsenschraube V2A DIN 7985 M5 x 20 H	<i>Oval head screw V2A DIN 7985 M5 x 20 H</i>
14	AquaMax Eco Premium 12000 / 12 V	<b>17965</b>	Ersatzrotor AquaMax Eco Premium 12000 – 16000	<i>Spare rotor AquaMax Eco Premium 12000 – 16000</i>
15	AquaMax Eco Premium 12000 / 12 V	<b>17970</b>	Ersatzpumpengeh. AquaMax Eco Premium 16000	<i>Spare pump housing AquaMax Eco Premium 16000</i>
16	AquaMax Eco Premium 12000 / 12 V	<b>17957</b>	BG Trafo DC mit Kupplung 13,5 V / 100 VA	<i>ASM transf. DC connector 13.5 V / 100 VA</i>
17	AquaMax Eco Premium 12000 / 12 V	<b>17513</b>	Flachdichtung 107 x 78 x 2,5 USP 16 hell	<i>Flat gasket 107 x 78 x 2.5 USP 16 light</i>

**Produkt / Product**

**57363 AquaMax Eco 6000 12 V**

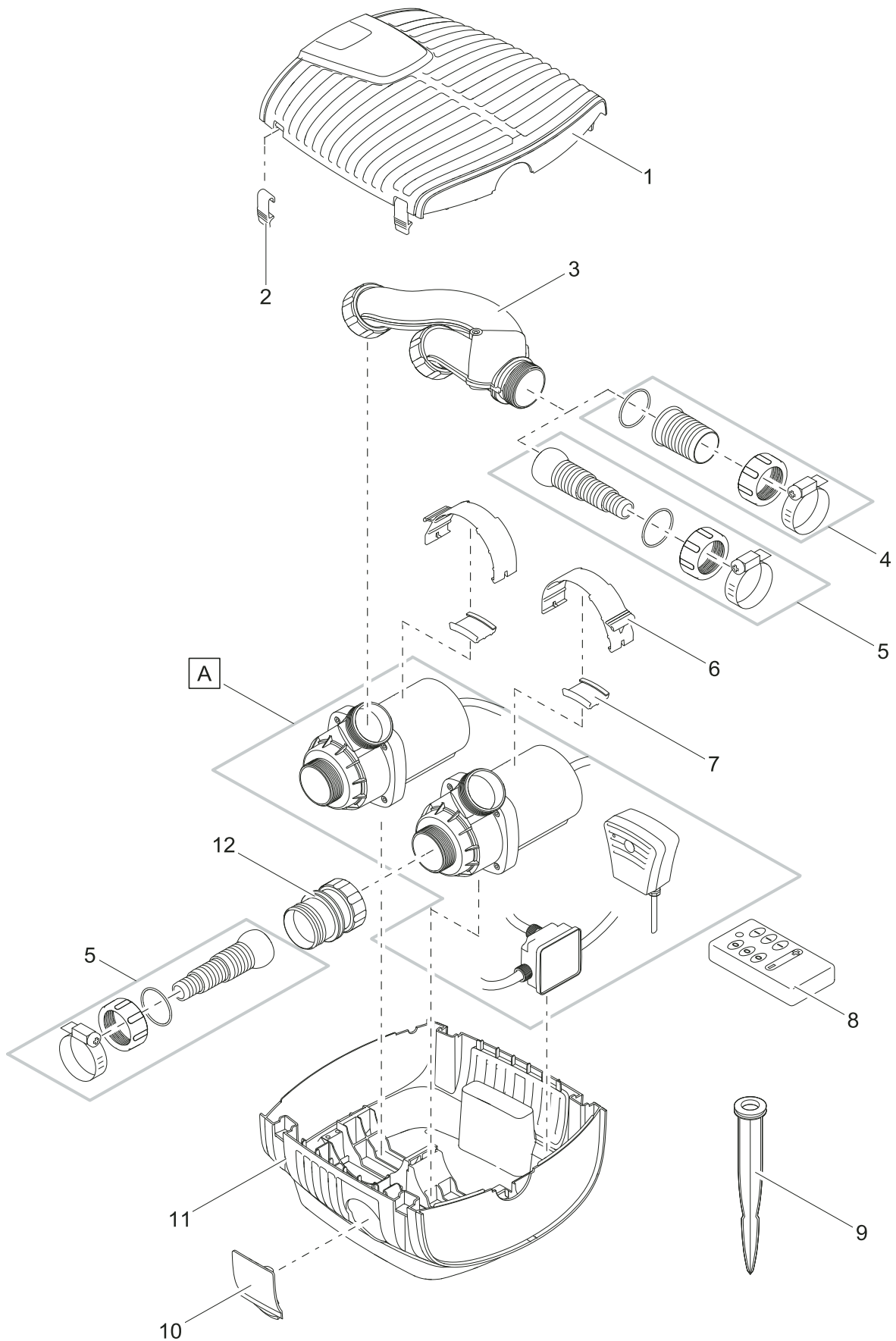


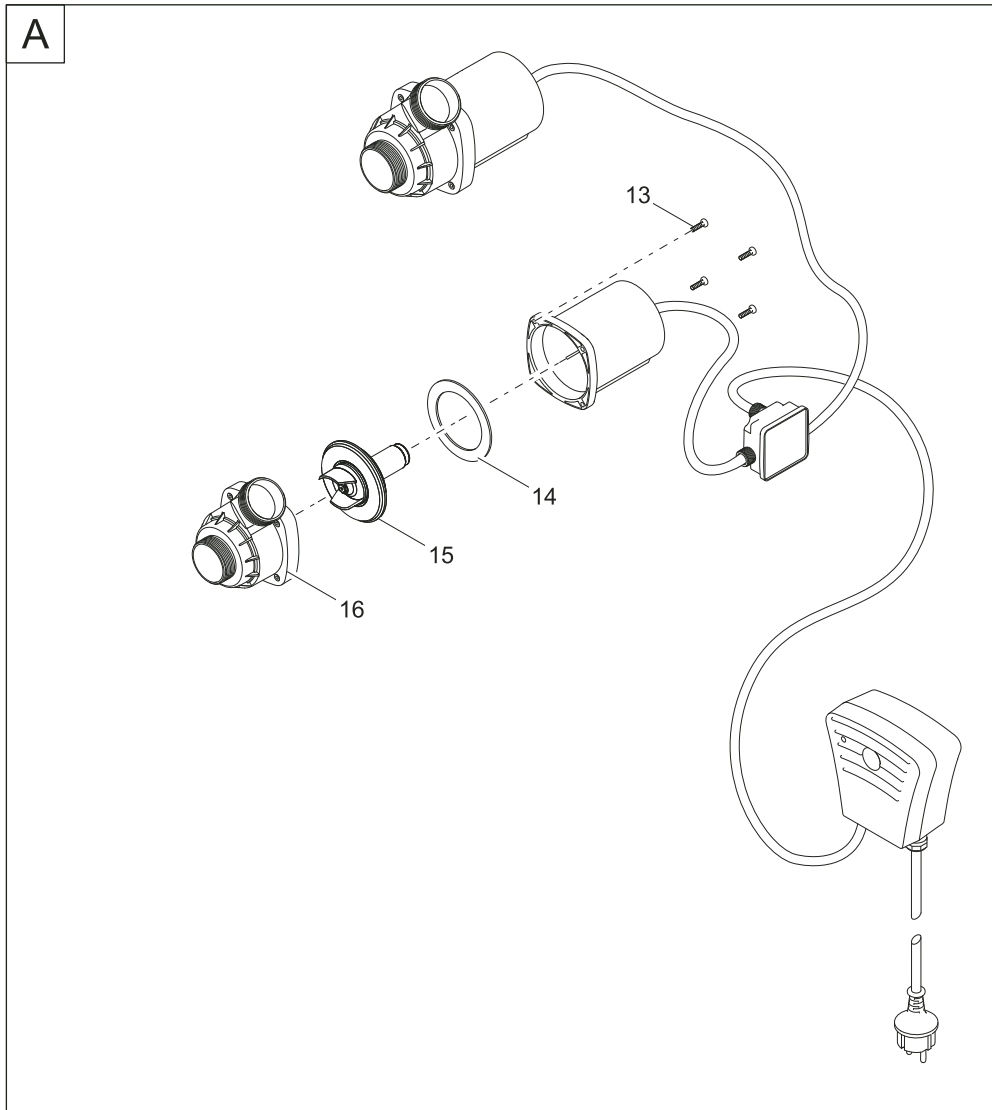
Pos.	Produkt / Product	Artikelnr. / Item no.	Ersatzteil	Spare part
1	AquaMax Eco 6000 12 V	34948	Oberschale AquaMax 03	Top housing AquaMax 03
2	AquaMax Eco 6000 12 V	34945	Saugadapter AquaMax 03	Suction adapter AquaMax 03
3	AquaMax Eco 6000 12 V	34947	Regler AquaMax 03 incl. 2" Kappe	Regulator AquaMax 03 incl. 2" cap
4	AquaMax Eco 6000 12 V	35459	Beipack Anschluss Kit AquaMax Eco 4000 – 8000	Add. pack kit AquaMax Eco 4000 – 8000
5	AquaMax Eco 6000 12 V	34944	Unterschale AquaMax 03	Base filter housing AquaMax 03
6	AquaMax Eco 6000 12 V	35785	Pumpengehäuse frosts. 2-1 D25	Pump housing anti-freeze 2-1 D25
7	AquaMax Eco 6000 12 V	3580	O-Ring NBR 80 x 3 SH75	O-Ring NBR 80 x 3 SH75
8	AquaMax Eco 6000 12 V	26002	Frostschutzschaum 2-1	Anti-freezing foam 2-1
9	AquaMax Eco 6000 12 V	34949	Frostschutzgehäuse 2-1 AquaMax 03	Anti-freeze housing 2-1 AquaMax 03
10	AquaMax Eco 6000 12 V	27949	Gummipuffer AquaMax Eco	Rubber pad AquaMax Eco
11	AquaMax Eco 6000 12 V	6055	Linsenschraube V2A DIN 7985 M5 x 20 H	Oval head screw V2A DIN 7985 M5 x 20 H
12	AquaMax Eco 6000 12 V	28539	O-Ring NBR 78 x 4,3 SH70	O-Ring NBR 78 x 4.3 SH70
13	AquaMax Eco 6000 12 V	35787	Rotor kpl. AquaMax Eco 6000 / 8000 / 6000 12V	Impeller cpl. AquaMax Eco 6000 / 8000 / 6000 12V
14	AquaMax Eco 6000 12 V	35468	BG Zwischengehäuse EC1 vormontiert	ASM inside housing EC1 pre-assembled
15	AquaMax Eco 6000 12 V	3635	O-Ring SI 76 x 4 SH50 rot/br.	O-Ring SI 76 x 4 SH50 red/br.
16	AquaMax Eco 6000 12 V	25993	Schraubkappe 2"	Screw cap 2"
17	AquaMax Eco 6000 12 V	35788	BG Motor AquaMax Eco 6000 12 V	ASM spare pump AquaMax Eco 6000 12 V
18	AquaMax Eco 6000 12 V	26922	Leistungsstecker Solar / ProfiLux	Cordplug Solar / ProfiLux
19	AquaMax Eco 6000 12 V	26930	Leitungskupplung Solar / ProfiLux	Cable coupler Solar / ProfiLux
20	AquaMax Eco 6000 12 V	35807	Ersatz Trafo AquaMax 12 V	Spare part transformer AquaMax 12 V

Produkt / Product

50708 AquaMax Eco Twin 20000

50710 AquaMax Eco Twin 30000



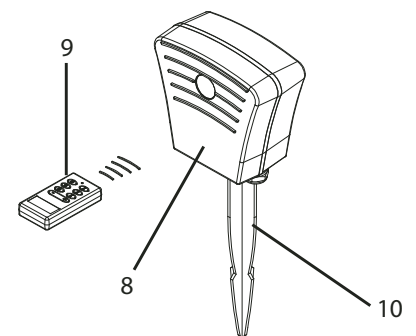
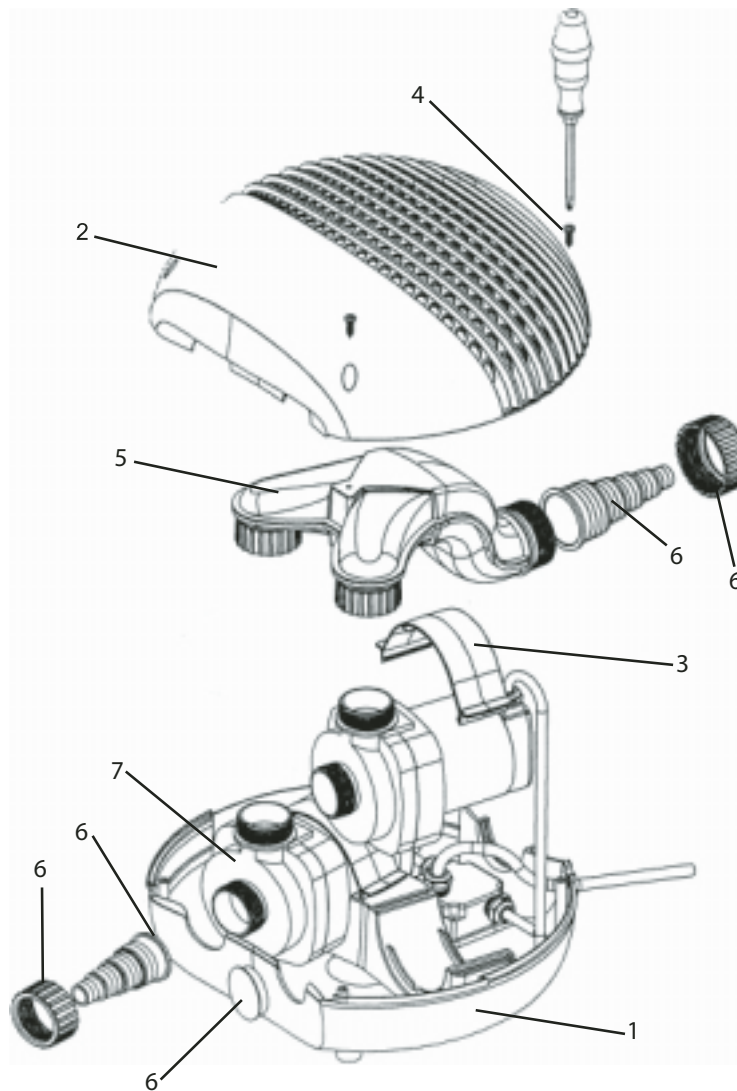


Pos.	Produkt / Product	Artikelnr. / Item no.	Ersatzteil	Spare part
1	AquaMax Eco Twin 20000 – 30000	18277	Ersatz Filterschale oben AquaMax Twin	Spare filter housing top AquaMax Twin
2	AquaMax Eco Twin 20000 – 30000	30983	Clip Bitron Eco / AquaMax	Clip Bitron Eco / AquaMax
3	AquaMax Eco Twin 20000 – 30000	17319	BG AquaMax Twin Y-verteiler	ASM AquaMax Twin Y-manifold
4	AquaMax Eco Twin 20000 – 30000	17069	Beipack AquaMax Eco 2"	Add. pack AquaMax Eco 2"
5	AquaMax Eco Twin 20000 – 30000	17272	Beipack AquaMax Eco 1" – 1½"	Add. pack AquaMax Eco 1" – 1½"
6	AquaMax Eco Twin 20000 – 30000	16982	Klammer EC2	Clamp EC2
7	AquaMax Eco Twin 20000 – 30000	17232	Gummieinsatz AquaMax Pro	Rubber part AquaMax Pro
8	AquaMax Eco Twin 20000 – 30000	24145	Handsender Promax	Remote control Promax
9	AquaMax Eco Twin 20000 – 30000	20284	Erdspieß	Spike
10	AquaMax Eco Twin 20000 – 30000	17315	Abdeckkappe AquaMax Twin	Cover cap AquaMax Twin
11	AquaMax Eco Twin 20000 – 30000	17294	Filterschale unten AquaMax Twin	Filter housing base AquaMax Twin
12	AquaMax Eco Twin 20000 – 30000	17526	Adapter 2" AquaMax Twin	Adapter 2" AquaMax Twin
13	AquaMax Eco Twin 20000 – 30000	6055	Linsenschraube V2A DIN 7985 M5 x 20 H	Oval head screw V2A DIN 7985 M5 x 20 H
14	AquaMax Eco Twin 20000 – 30000	17513	Flachdichtung 107 x 78 x 2,5 USP 16 hell	Flat gasket 107 x 78 x 2.5 USP 16 light
15	AquaMax Eco Twin 20000 – 30000	17965	Ersatzrotor AquaMax Eco Premium 12000 – 16000	Spare rotor AquaMax Eco Premium 12000 – 16000
16	AquaMax Eco Twin 20000	17969	Ersatzpumpengeh. AquaMax Eco Premium 12000	Spare pump housing AquaMax Eco Premium 12000
	AquaMax Eco Twin 30000	17970	Ersatzpumpengeh. AquaMax Eco Premium 16000	Spare pump housing AquaMax Eco Premium 16000

Produkt / Product

55441 Promax 20000

55442 Promax 30000

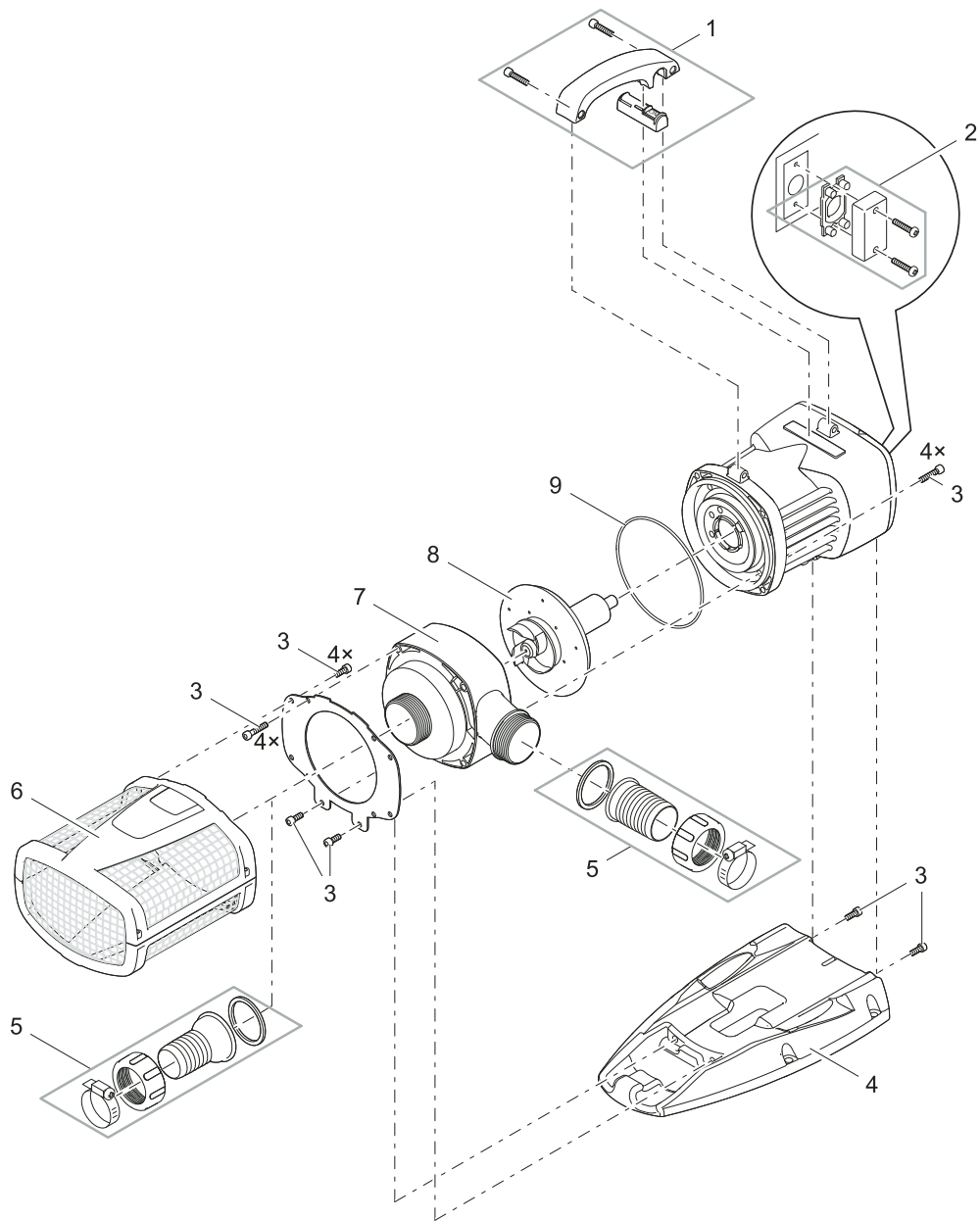


Pos.	Produkt / Product	Artikelnr. / Item no.	Ersatzteil	Spare part
1	Promax 20000 – 30000	34811	Filter Unterschale Motorgehäuse	Filter bottom part motor housing
2	Promax 20000 – 30000	34045	Filter Oberschale Promax	Filter top part Promax
3	Promax 20000	2 x 34042	Spannklammer Promax V2A	Clamp clip Promax V2A
	Promax 20000	34812	Spannklammer Motorgehäuse KU	Clamp clip motor housing plastic
	Promax 30000	2 x 34812	Spannklammer Motorgehäuse KU	Clamp clip motor housing plastic
	Promax 30000	34042	Spannklammer Promax V2A	Clamp clip Promax V2A
4	Promax 20000 – 30000	4 x 22853	Linsenschraube CH-V2A DIN 7981 4,8 x 19	Oval head screw CH-V2A DIN 7981 4.8 x 19
5	Promax 20000 – 30000	23970	BG Verteiler Promax	ASM distributor Promax
6	Promax 20000 – 30000	34381	Ersatzteil-Set Promax	Spare part set Promax
7	Promax 20000 – 30000	20041	Pumpengehäuse AquaMax 15000 / DRY 14000	Pump housing AquaMax 15000 / DRY 14000
8	Promax 20000	34923	BG Empfänger Promax 20000	ASM receiver Promax 20000
	Promax 30000	34924	BG Empfänger Promax 30000	ASM receiver Promax 30000
9	Promax 20000 – 30000	24145	Handsender Promax	Remote control Promax
10	Promax 20000 – 30000	20284	Erdspieß	Spike

**Produkt / Product**

39916 AquaMax Eco Expert 21000

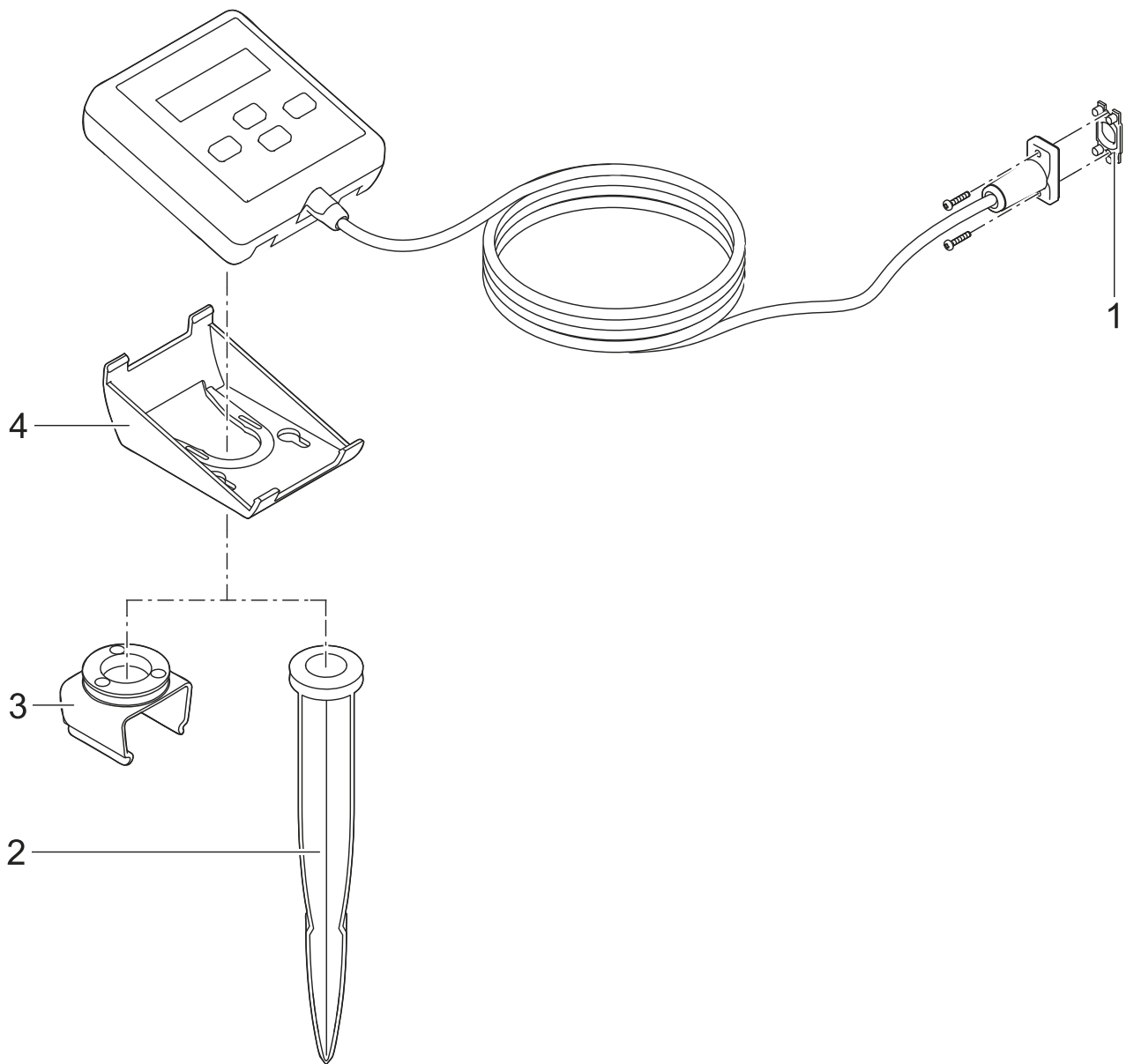
39917 AquaMax Eco Expert 26000



Pos.	Produkt / Product	Artikelnr. / Item no.	Ersatzteil	Spare part
1	AquaMax Eco Expert 21000 – 26000	40510	Ersatz Griff mit Schalter	Spare handle with switch set
2	AquaMax Eco Expert 21000 – 26000	40509	BG Blindkappe mit Dichtungsset	ASM gland seal with gasket set
3	AquaMax Eco Expert 21000 – 26000	40511	Ersatz Schrauben Set	Spare screws set
4	AquaMax Eco Expert 21000 – 26000	37843	Fuß EC2 Maxi	Base EC2 Maxi
5	AquaMax Eco Expert 21000 – 26000	35359	Anschluss-Kit AquaMax Expert	Connection kit Aquamax Expert
6	AquaMax Eco Expert 21000 – 26000	37838	BG Filterkorb AquaMax Expert	ASM filter housing AquaMax Expert
7	AquaMax Eco Expert 21000	40623	BG Pumpengehäuse AquaMax Eco Exp. 21000	ASM pump housing AquaMax Eco Exp. 21000
	AquaMax Eco Expert 26000	37837	BG Pumpengehäuse AquaMax Eco Exp. 26000	ASM pump housing AquaMax Eco Exp. 26000
8	AquaMax Eco Expert 21000 – 26000	40508	Ersatzrotor AquaMax Eco Exp. 21000 – 26000	Spare rotor AquaMax Eco Exp. 21000 – 26000
9	AquaMax Eco Expert 21000 – 26000	11208	O-Ring NBR 140 x 3,15 SH70 A	O-Ring NBR 140 x 3.15 SH70 A



Produkt / Product  
40247 AquaMax Eco Control

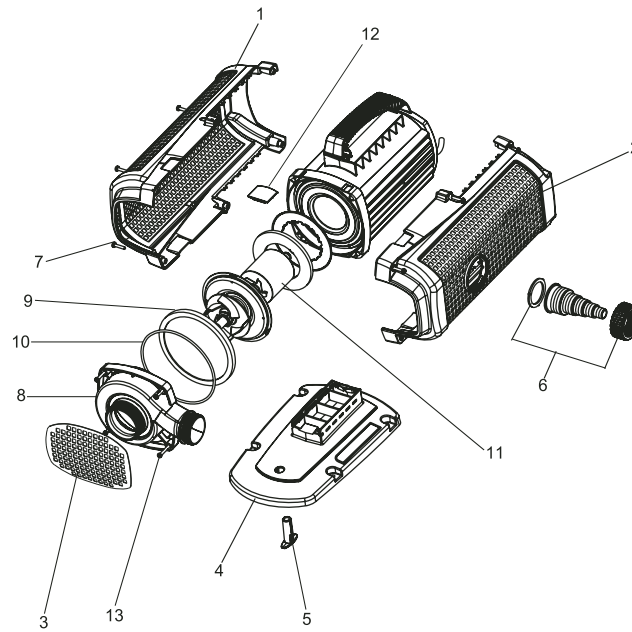


Pos.	Produkt / Product	Artikelnr. / Item no.	Ersatzteil	Spare part
1	AquaMax Eco Control	11710	Dichtung DMX	Gasket DMX
2	AquaMax Eco Control	20284	Erdspeiß	Spike
3	AquaMax Eco Control	40466	Halteklammer AquaMax Eco Control	Holding clamp AquaMax Eco Control
4	AquaMax Eco Control	40465	Halterahmen AquaMax Eco Control	Holding frame AquaMax Eco Control

**Produkt / Product**

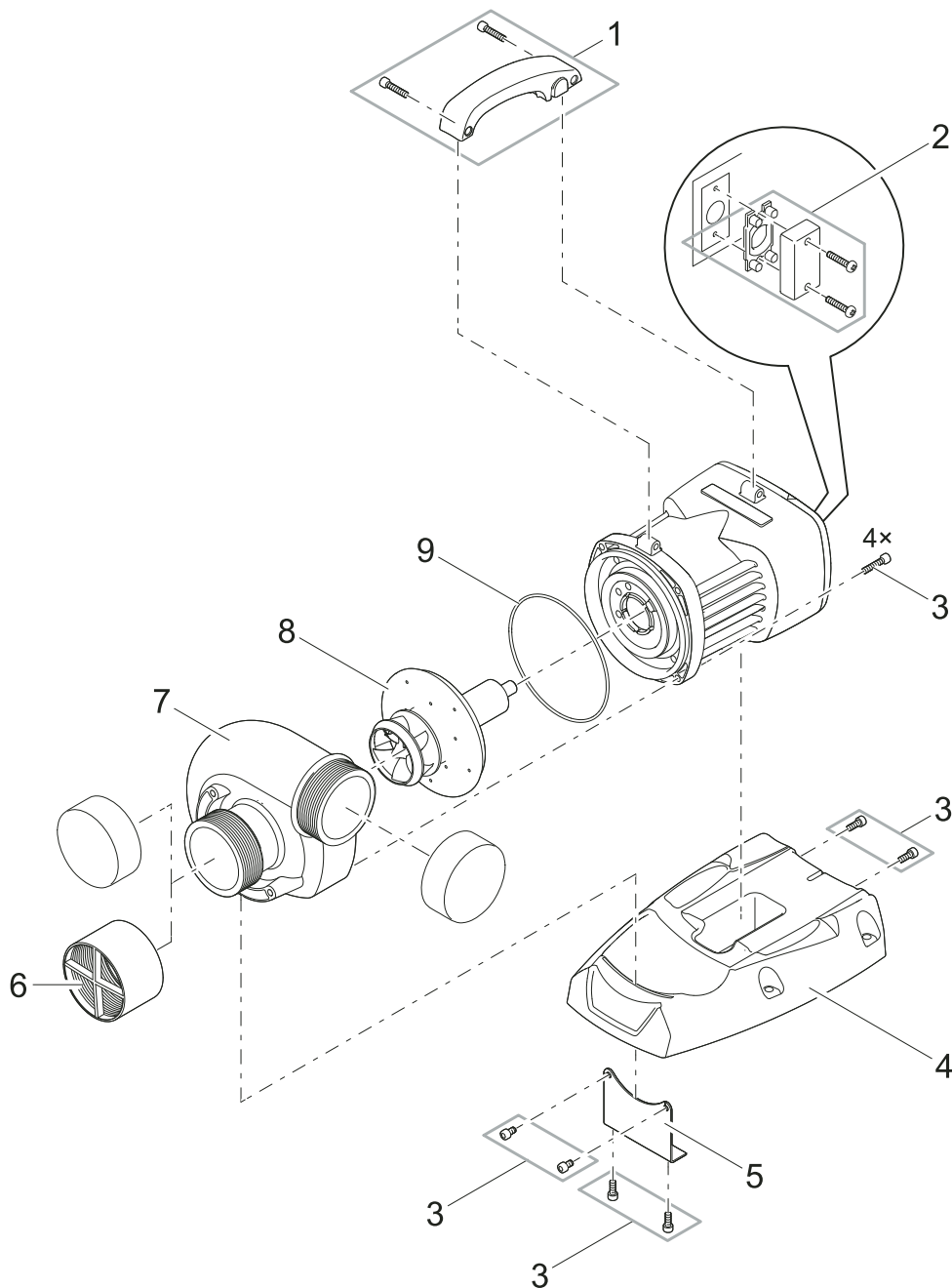
56873 AquaMax Expert 20000  
 56874 AquaMax Expert 30000  
 56875 AquaMax Expert 40000

Profimax 20000  
 Profimax 30000  
 Profimax 40000



Pos.	Produkt / Product	Artikelnr. / Item no.	Ersatzteil	Spare part
1	AquaMax Expert 20000	26870	Filterwanne 107 FBP rechts	Filter flank 107 FBP right
	AquaMax Expert 30000	26870	Filterwanne 107 FBP rechts	Filter flank 107 FBP right
	AquaMax Expert 40000	26871	Filterwanne 135 FBP rechts	Filter flank 135 FBP right
2	AquaMax Expert 20000	26698	Filterwanne 107 FBP links	Filter flank 107 FBP left
	AquaMax Expert 30000	26698	Filterwanne 107 FBP links	Filter flank 107 FBP left
	AquaMax Expert 40000	26701	Filterwanne 135 FBP links	Filter flank 135 FBP left
3	AquaMax Expert 20000	26734	Frontblech 107 FBP	Front plate 107 FBP
	AquaMax Expert 30000	26734	Frontblech 107 FBP	Front plate 107 FBP
	AquaMax Expert 40000	26736	Frontblech 135 FBP	Front plate 135 FBP
4	AquaMax Expert 20000 – 40000	26703	Pumpenfuß Profiline	Pump base Profiline
5	AquaMax Expert 40000	27179	Stabilisator Profiline	Stabiliser Profiline
6	AquaMax Expert 20000 – 40000	35359	Anschluss-Kit AquaMax Expert	Connection kit Aquamax Expert
7	AquaMax Expert 20000 – 40000	6055	Linsenschraube V2A DIN 7985 M5 x 20 H	Oval head screw V2A DIN 7985 M5 x 20 H
8	AquaMax Expert 20000	27477	Pumpengehäuse 107-36	Pump housing 107-36
	AquaMax Expert 30000	27477	Pumpengehäuse 107-36	Pump housing 107-36
	AquaMax Expert 40000	26689	Pumpengehäuse 135	Pump housing 135
9	AquaMax Expert 20000	26692	Zentrier-Ring 107	Centre ring 107
	AquaMax Expert 30000	26692	Zentrier-Ring 107	Centre ring 107
	AquaMax Expert 40000	26693	Zentrier-Ring 135	Centre ring 135
10	AquaMax Expert 20000	27289	O-Ring NBR 130 x 4,3 SH70	O-Ring NBR 130 x 4.3 SH70
	AquaMax Expert 30000	27289	O-Ring NBR 130 x 4,3 SH70	O-Ring NBR 130 x 4.3 SH70
	AquaMax Expert 40000	20322	O-Ring NBR 155 x 4,5 SH55	O-Ring NBR 155 x 4.5 SH55
11	AquaMax Expert 20000	35365	Rotor kpl. AquaMax Expert 20000	Impeller cpl. AquaMax Expert 20000
	AquaMax Expert 30000	35366	Rotor kpl. AquaMax Expert 30000	Impeller cpl. AquaMax Expert 30000
	AquaMax Expert 40000	35367	Rotor kpl. AquaMax Expert 40000	Impeller cpl. AquaMax Expert 40000
12	AquaMax Expert 20000 – 40000	35361	Ersatz Emblem Profiline	Spare emblem Profiline
13	AquaMax Expert 20000 – 40000	6061	Linsenschraube Kreuzschl. DIN 7985 6 x 25	Oval head screw Phillips DIN 7985 6 x 25

Produkt / Product  
39918 AquaMax Eco Titanium 50000

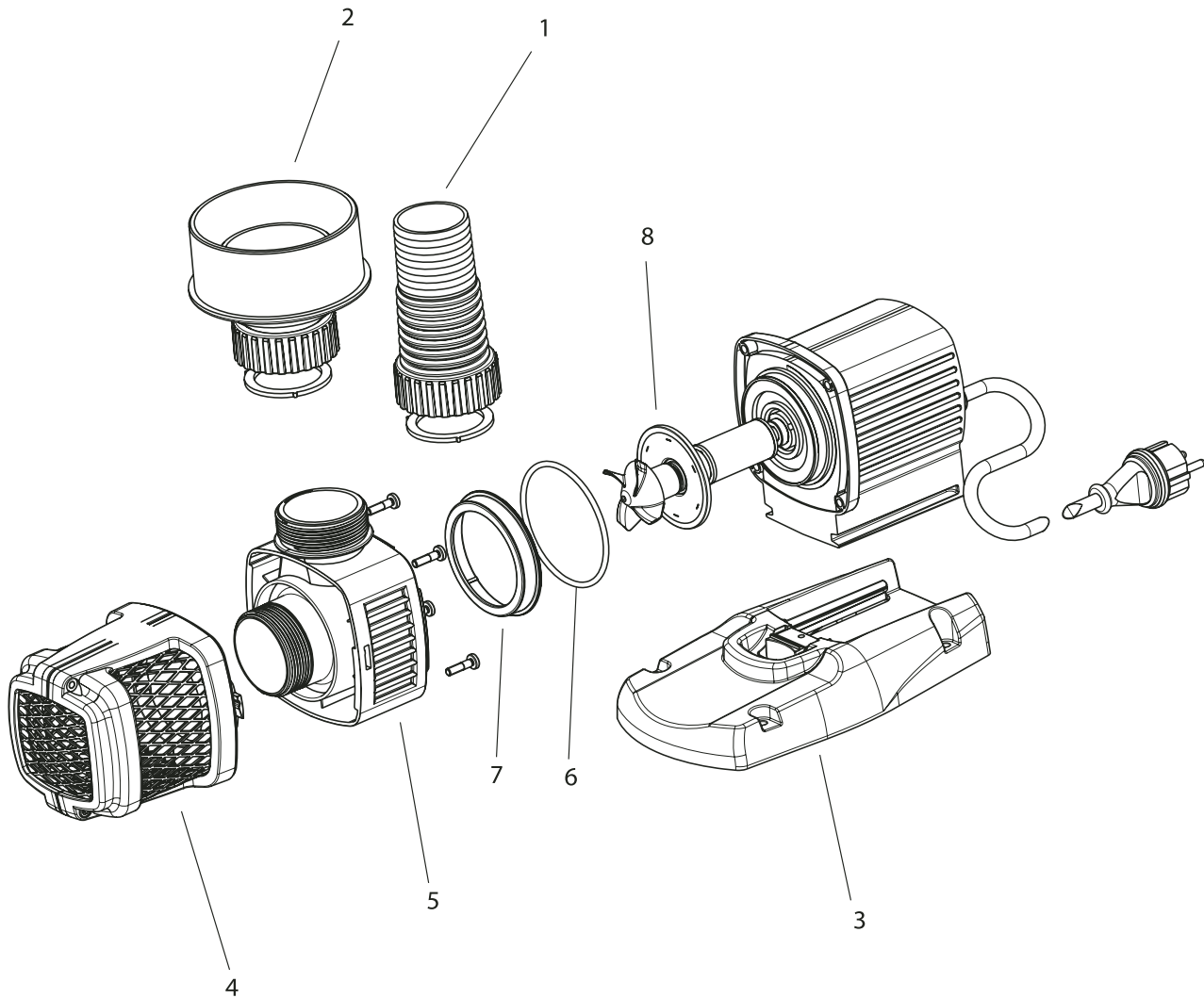


Pos.	Produkt / Product	Artikelnr. / Item no.	Ersatzteil	Spare part
1	AquaMax Eco Titanium 50000	43863	Ersatzgriff mit Blindstopfen Titanium	Spare handle with rubber plug Titanium
2	AquaMax Eco Titanium 50000	40509	BG Blindkappe mit Dichtungsset	ASM gland seal with gasket set
3	AquaMax Eco Titanium 50000	43864	Ersatz Schrauben Set Titanium	Spare screws set Titanium
4	AquaMax Eco Titanium 50000	42061	Fuß EC2 Maxi Titanium	Base EC2 Maxi Titanium
5	AquaMax Eco Titanium 50000	42094	Halteblech EC2 Maxi Titanium	Holding plate EC2 Maxi Titanium
6	AquaMax Eco Titanium 50000	43329	Berührschutz AquaMax Eco Titanium	Safety grid AquaMax Eco Titanium
7	AquaMax Eco Titanium 50000	41405	Pumpengehäuse AquaMax Titanium bearb.	Pump housing AquaMax Titanium machined
8	AquaMax Eco Titanium 50000	43865	Ersatzrotor AquaMax Eco Titanium	Spare rotor AquaMax Eco Titanium
9	AquaMax Eco Titanium 50000	15574	O-Ring NBR 125 x 3,5 SH70	O-Ring NBR 125 x 3.5 SH70

**Produkt / Product**

57091 AquaMax Eco Gravity 10000  
 57092 AquaMax Eco Gravity 15000  
 57093 AquaMax Eco Gravity 20000

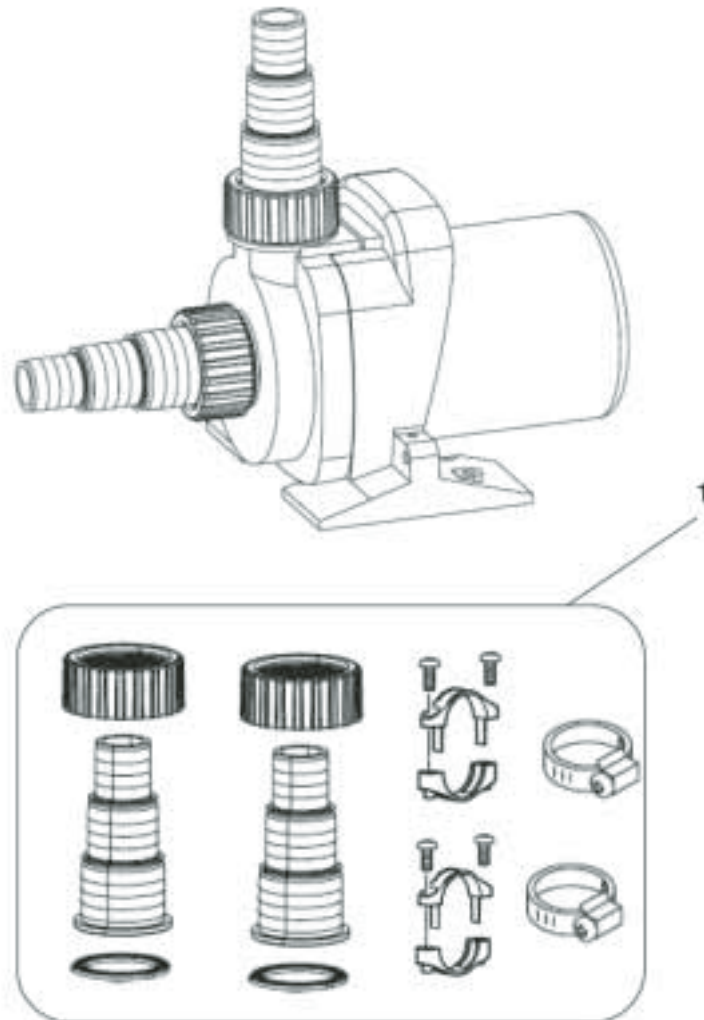
*Optimax 10000*  
*Optimax 15000*  
*Optimax 20000*



Pos.	Produkt / Product	Artikelnr. / Item no.	Ersatzteil	Spare part
1	AquaMax Eco Gravity 10000 – 20000	35577	Schlauchanschluss AquaMax Eco 2" / DA 63	Hosetail set AquaMax Eco 2" / DA 63
2	AquaMax Eco Gravity 10000 – 20000	35578	Rohranschluss AquaMax Eco DA 75 / DA 110	Pipe connector AquaMax Eco DA 75 / DA 110
3	AquaMax Eco Gravity 10000 – 20000	28127	Pumpenfuß AquaMax Gravity Eco	Pump base AquaMax Gravity Eco
4	AquaMax Eco Gravity 10000 – 20000	35509	BG Berührschutz	ASM contact protection
5	AquaMax Eco Gravity 10000 – 20000	35580	Ers. Pumpengehäuse AquaMax Gravity	Spare pump housing AquaMax Gravity Eco
6	AquaMax Eco Gravity 10000 – 20000	28539	O-Ring NBR 78 x 4,3 SH70	O-Ring NBR 78 x 4.3 SH70
7	AquaMax Eco Gravity 10000 – 20000	28125	Haltering Max Eco	Holder ring Max Eco
8	AquaMax Eco Gravity 10000	17958	Ersatzrotor kpl. AquaMax Eco Gravity 10000	Spare rotor cpl. AquaMax Eco Gravity 10000
	AquaMax Eco Gravity 15000	17959	Ersatzrotor kpl. AquaMax Eco Gravity 15000	Spare rotor cpl. AquaMax Eco Gravity 15000
	AquaMax Eco Gravity 20000	17960	Ersatzrotor kpl. AquaMax Eco Gravity 20000	Spare rotor cpl. AquaMax Eco Gravity 20000

Produkt / Product

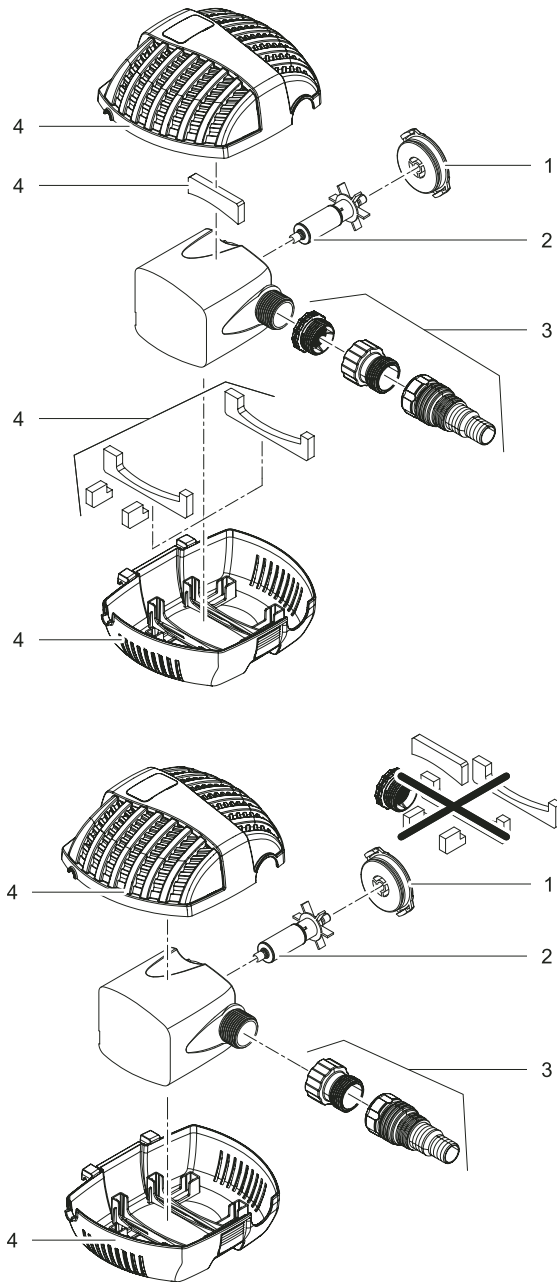
- 50393 AquaMax Dry 6000
- 50066 AquaMax Dry 8000
- 50068 AquaMax Dry 14000
- 50448 AquaMax Dry 16000 (GB)



Pos.	Produkt / Product	Artikelnr. / Item no.	Ersatzteil	Spare part
1	AquaMax Dry 6000 – 16000	10510	Beipack AquaMax Dry	Additional pack AquaMax Dry

**Produkt / Product**

- 15329 Ersatzpumpe FP 1500
- 13745 Ersatzpumpe FP 2500
- 13742 Ersatzpumpe FP 3500



Pos.	Produkt / Product	Artikelnr. / Item no.	Ersatzteil	Spare part
1	Ersatzpumpe FP 1500	35769	BG Pumpengehäuse ASE 1500	ASM pump housing ASE 1500
	Ersatzpumpe FP 2500	35770	BG Pumpengehäuse ASE 2500	ASM pump housing ASE 2500
	Ersatzpumpe FP 3500	35771	BG Pumpengehäuse ASE 3500	ASM pump housing ASE 3500
2	Ersatzpumpe FP 1500	18012	Ersatzrotor kpl. ASE 1500 magnetisiert	Spare rotor cpl. ASE 1500 magnetized
	Ersatzpumpe FP 2500	18013	Ersatzrotor kpl. ASE 2500 magnetisiert	Spare rotor cpl. ASE 2500 magnetized
	Ersatzpumpe FP 3500	14364	Ersatzrotor Pumpe 3500 ASE X-Ring	Spare rotor pump 3500 ASE x-ring
3	Ersatzpumpe FP 1500 – 3500	13743	Ersatzteilset Anschlusssteile FP 2500 – 3500	Spare part set conn. parts FP 2500 – 3500
4	Ersatzpumpe FP 1500 – 3500	13744	Ersatzteil-Set Filterschalen FP 1500 – 3500	Spare part set filterhousing FP 1500 – 3500

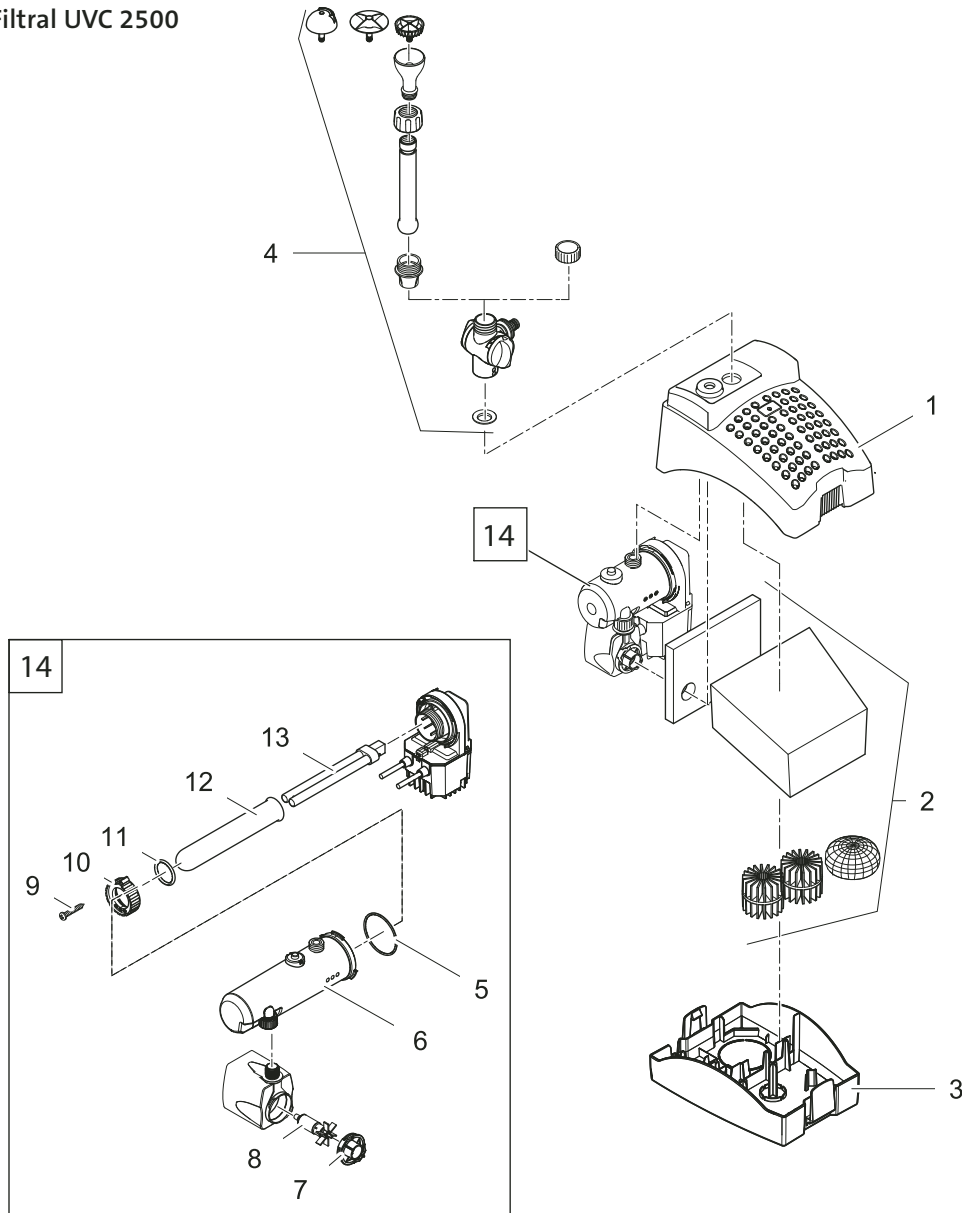
Produkt / Product  
57239 Ersatzteilkoffer



Pos.	Produkt / Product	Artikelnr. / Item no.	Ersatzteil	Spare part
	Ersatzteilkoffer	6 x 12096	Überwurfmutter 1½"	Coupling nut 1½"
	Ersatzteilkoffer	40 x 19475	O-Ring Viton 32 x 4 SH70	O-Ring Viton 32 x 4 SH70
	Ersatzteilkoffer	40 x 19491	Flachdichtung Tülle 1½"	Flat gasket hose tail 1½"
	Ersatzteilkoffer	40 x 19506	Flachdichtung NBR 60 x 47 x 3 SH40	Flat gasket NBR 60 x 47 x 3 SH40
	Ersatzteilkoffer	10 x 25218	Stufenschlauchtülle 1½" schwarz	Stepped hose tail 1½" black
	Ersatzteilkoffer	5 x 34056	Stufenschlauchtülle 2"	Stepped hose tail 2"
	Ersatzteilkoffer	20 x 25969	O-Ring NBR 60 x 2,5 SH70 A	O-Ring NBR 60 x 2.5 SH70 A
	Ersatzteilkoffer	40 x 3560	O-Ring PN 48 x 4 SH75	O-Ring PN 48 x 4 SH75
	Ersatzteilkoffer	4 x 12097	Überwurfmutter 2"	Retaining nut 2"
	Ersatzteilkoffer	20 x 19261	Flachdichtung NBR 40 f. Auslauf 70	Flat gasket NBR 40 f. outlet 70
	Ersatzteilkoffer	40 x 24192	Flachdichtung Tülle 2" D56,3 x 3	Flat gasket grommet 2" D56.3 x 3
	Ersatzteilkoffer	5 x 24812	O-Ring NBR 330 x 8 SH35	O-Ring NBR 330 x 8 SH35
	Ersatzteilkoffer	5 x 34585	Stufenschlauchspiraltülle 1½" schwarz	Stepped hose tail 1½" black
	Ersatzteilkoffer	6 x 10569	Schlauchtülle 2"	hose connector 2"
	Ersatzteilkoffer	5 x 34517	Stufenschlauchspiraltülle 1½" klar	Stepped hose tail 1½" clear
	Ersatzteilkoffer	4 x 25270	Überwurfmutter 2", Kugel	Union nut 2", ball
	Ersatzteilkoffer	5 x 25269	Stufentülle – Kugel	Stepped hose tail – ball
	Ersatzteilkoffer	15 x 24819	Durchflussfahne FiltoClear	Passage banner FiltoClear
	Ersatzteilkoffer	15 x 15492	Durchflussfahne FiltoClear 30000	Passage banner FiltoClear 30000

Produkt / Product

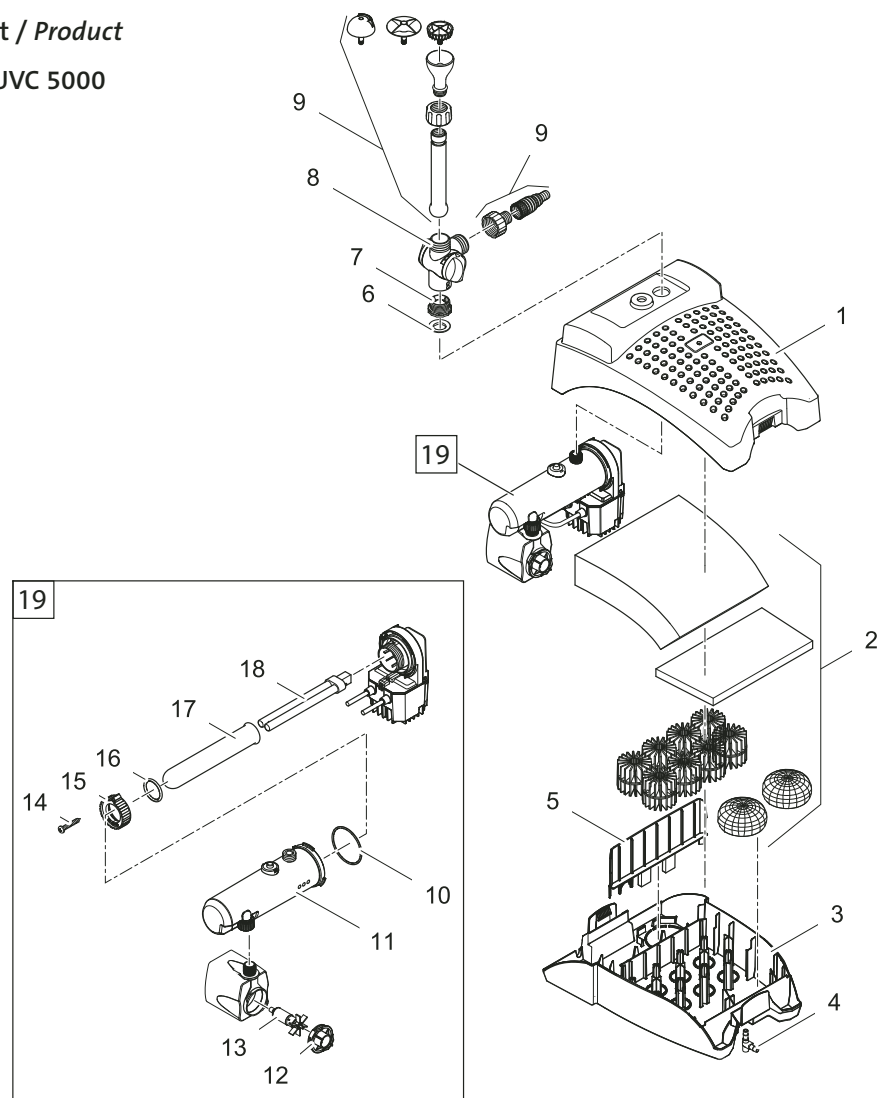
50446 Filtral UVC 2500



Pos.	Produkt / Product	Artikelnr. / Item no.	Ersatzteil	Spare part
1	Filtral UVC 2500	14041	BG Oberschale Filtral UVC 2500	ASM filter top Filtral UVC 2500
2	Filtral UVC 2500	13705	Ersatzfilter Set UVC 2500 – 3000	Replacement filter set UVC 2500 – 3000
3	Filtral UVC 2500	13623	Unterschale UVC 2500 – 3000	Base UVC 2500-3000
4	Filtral UVC 2500	13643	Beipack Filtral UVC 2500	Additional pack Filtral 2500
5	Filtral UVC 2500	28553	O-Ring NBR 61,6 x 2,62 SH70 A	O-Ring NBR 61.6 x 2.62 SH70 A
6	Filtral UVC 2500	13965	Ersatz Wassergehäuse UVC 2500 – 3000	Spare water housing UVC 2500 – 3000
7	Filtral UVC 2500	35762	BG Pumpengehäuse ASE 1000	ASM pump housing ASE 1000
8	Filtral UVC 2500	28351	Ersatzrotor kpl. ASE 1000 magnetisiert	Spare rotor cpl. ASE 1000 magnetized
9	Filtral UVC 2500	27891	Linsenschraube CH-V2A DIN 7981 3,5 x 22	Oval head screw CH-V2A DIN 7981 3.5 x 22
10	Filtral UVC 2500	12049	Klemmschraube UVC 7/9/11 W	Clamp screw UVC 7/9/11 W
11	Filtral UVC 2500	19475	O-Ring Viton 32 x 4 SH70	O-Ring Viton 32 x 4 SH70
12	Filtral UVC 2500	14193	Ersatz Quarzglasrohr UVC 7/9/11 W	Spare quartz glass tube UVC 7/9/11 W
13	Filtral UVC 2500	57111	Ersatzlampe UVC 7 W	Replacement bulb UVC 7 W
14	Filtral UVC 2500	13966	Ersatz UVC/Pumpe UVC 2500 – 3000	Spare UVC/pump UVC 2500 – 3000

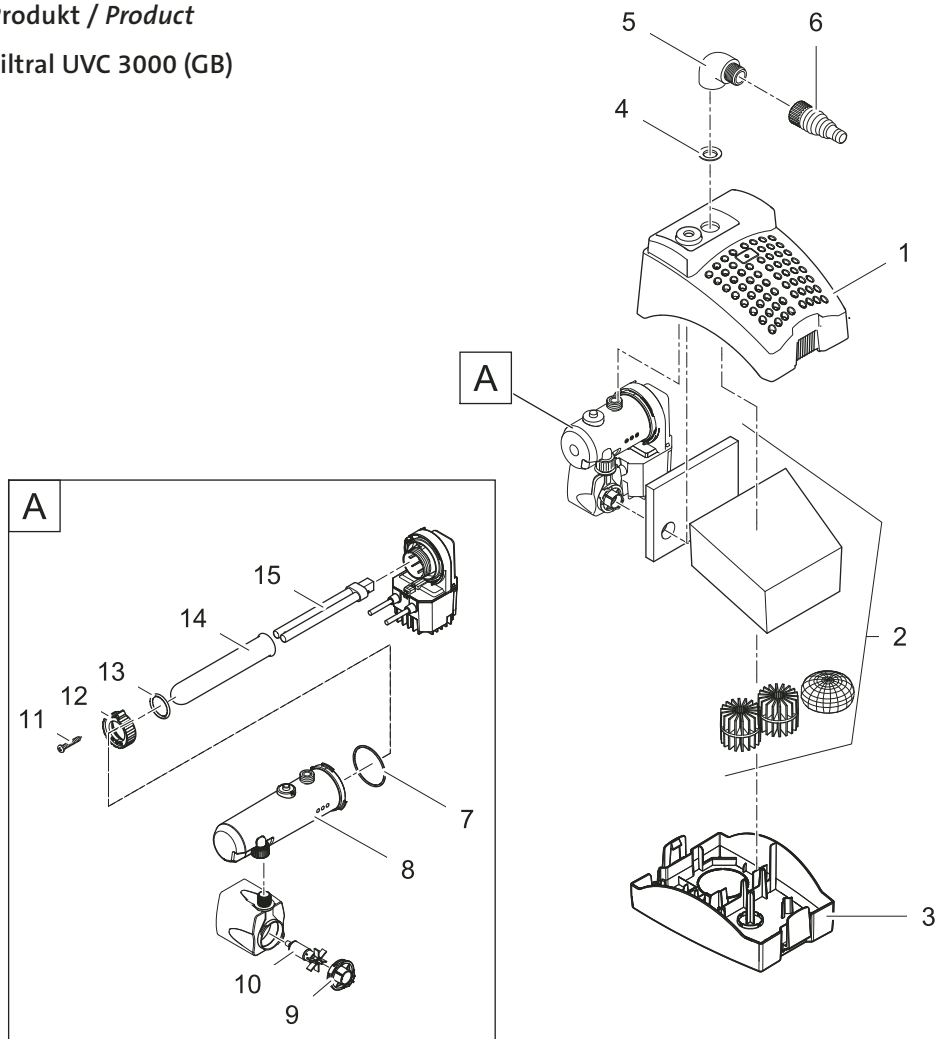


Produkt / Product  
57379 Filtral UVC 5000



Pos.	Produkt / Product	Artikelnr. / Item no.	Ersatzteil	Spare part
1	Filtral UVC 5000	29281	Oberschale Filtral UVC 5000	Top Filtral UVC 5000
2	Filtral UVC 5000	35836	Ersatzfilter Set Filtral UVC 5000	Replacement filter set Filtral UVC 5000
3	Filtral UVC 5000	11349	Filterunterteil Pumpe / UVC	Filterhousing base pump / UVC
4	Filtral UVC 5000	35087	Luftanschluss BioTec 5.1/10.1	Air connection BioTec 5.1/10.1
5	Filtral UVC 5000	29386	Trennwand Filtral UVC 5000	Separating plate Filtral UVC 5000
6	Filtral UVC 5000	29388	Profildichtung D35 x 5	Profile gasket D35 x 5
7	Filtral UVC 5000	13427	Reduzierstück Kunststoff G1 Ax G½ I	Threaded bush plastic G1 A x G½ I
8	Filtral UVC 5000	20830	T-Regler G 1	T-controller G 1
9	Filtral UVC 5000	35717	Beipack Düsenet Start	Additional pack nozzle set Start
10	Filtral UVC 5000	28553	O-Ring NBR 61,6 x 2,62 SH70 A	O-Ring NBR 61.6 x 2.62 SH70 A
11	Filtral UVC 5000	35872	Ersatz Wassergehäuse Filtral UVC 5000	Spare water housing Filtral UVC 5000
12	Filtral UVC 5000	35770	BG Pumpengehäuse ASE 2500	ASM pump housing ASE 2500
13	Filtral UVC 5000	18013	Ersatzrotor kpl. ASE 2500 magnetisiert	Spare rotor cpl. ASE 2500 magnetized
14	Filtral UVC 5000	27891	Linsenschraube CH-V2A DIN 7981 3,5 x 22	Oval head screw CH-V2A DIN 7981 3.5 x 22
15	Filtral UVC 5000	12049	Klemmschraube UVC 7/9/11 W	Clamp screw UVC 7/9/11 W
16	Filtral UVC 5000	19475	O-Ring Viton 32 x 4 SH70	O-Ring Viton 32 x 4 SH70
17	Filtral UVC 5000	13312	Ersatz Quarzglas UVC 7/9/11 W	Spare quartz glass UVC 7/9/11 W
18	Filtral UVC 5000	56112	Ersatzlampe UVC 11 W	Replacement bulb UVC 11 W
19	Filtral UVC 5000	35874	Ersatz UVC-Pumpe Filtral UVC 5000	Spare UVC-pump Filtral 5000

Produkt / Product  
51232 Filtral UVC 3000 (GB)

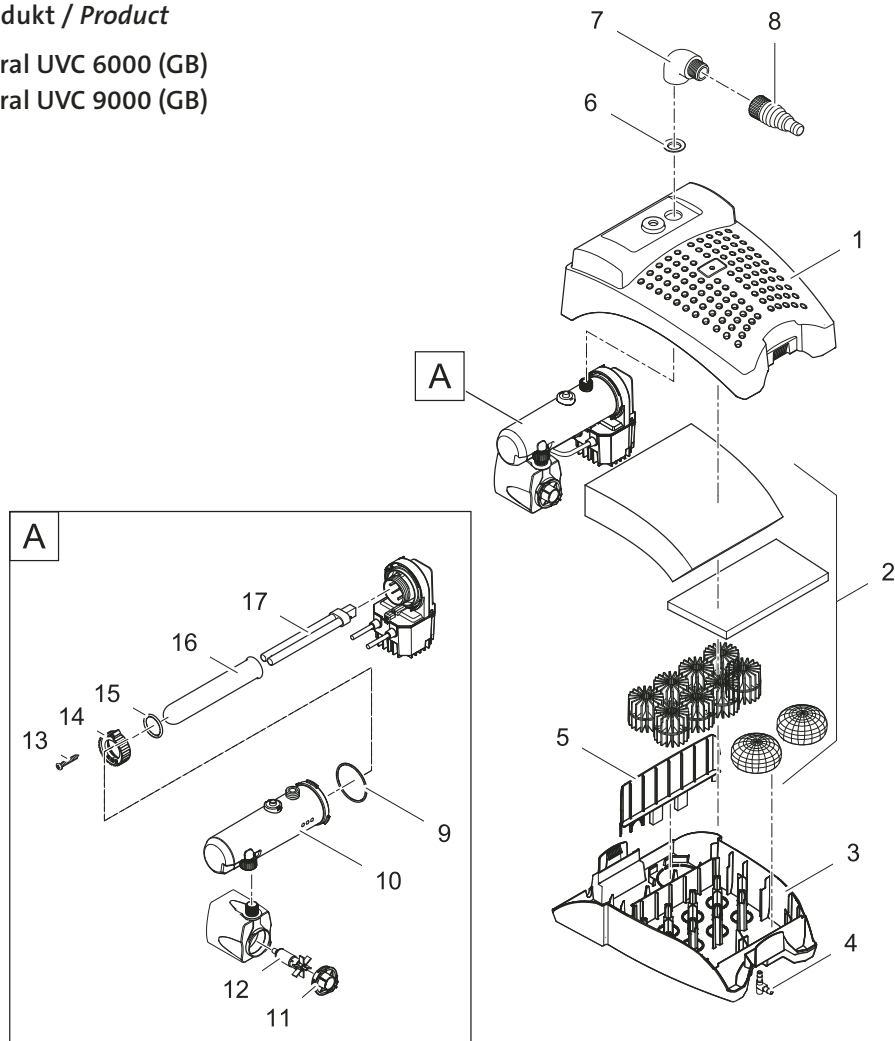


Pos.	Produkt / Product	Artikelnr. / Item no.	Ersatzteil	Spare part
1	Filtral UVC 3000	14041	BG Oberschale Filtral UVC 2500	ASM filter top Filtral UVC 2500
2	Filtral UVC 3000	13705	Ersatzfilter Set UVC 2500 – 3000	Replacement filter set UVC 2500 – 3000
3	Filtral UVC 3000	13623	Unterschale UVC 2500 – 3000	Base UVC 2500 – 3000
4	Filtral UVC 3000	29388	Profildichtung D35 x 5	Profile gasket D35 x 5
5	Filtral UVC 3000	20191	Winkel 1 ½" x A ½", SW, PP	90° bend Aquarius 1700
6	Filtral UVC 3000	42429	Ersatz Stufenschlauchtülle ½"	Spare stepped hose tail ½"
7	Filtral UVC 3000	28553	O-Ring NBR 61,6 x 2,62 SH70 A	O-Ring NBR 61.6 x 2.62 SH70 A
8	Filtral UVC 3000	13965	Ersatz Wassergehäuse UVC 2500 – 3000	Spare water housing UVC 2500 – 3000
9	Filtral UVC 3000	35762	BG Pumpengehäuse ASE 1000	ASM pump housing ASE 1000
10	Filtral UVC 3000	28351	Ersatzrotor kpl. ASE 1000 magnetisiert	Spare rotor cpl. ASE 1000 magnetized
11	Filtral UVC 3000	27891	Linsenschraube CH-V2A DIN 7981 3,5 x 22	Oval head screw CH-V2A DIN 7981 3.5 x 22
12	Filtral UVC 3000	12049	Klemmschraube UVC 7/9/11 W	Clamp screw UVC 7/9/11 W
13	Filtral UVC 3000	19475	O-Ring Viton 32 x 4 SH70	O-Ring Viton 32 x 4 SH70
14	Filtral UVC 3000	14193	Ersatz Quarzglasrohr UVC 7/9/11 W	Spare quartz glass tube UVC 7/9/11 W
15	Filtral UVC 3000	57111	Ersatzlampe UVC 7 W	Replacement bulb UVC 7 W

Produkt / Product

51233 Filtral UVC 6000 (GB)

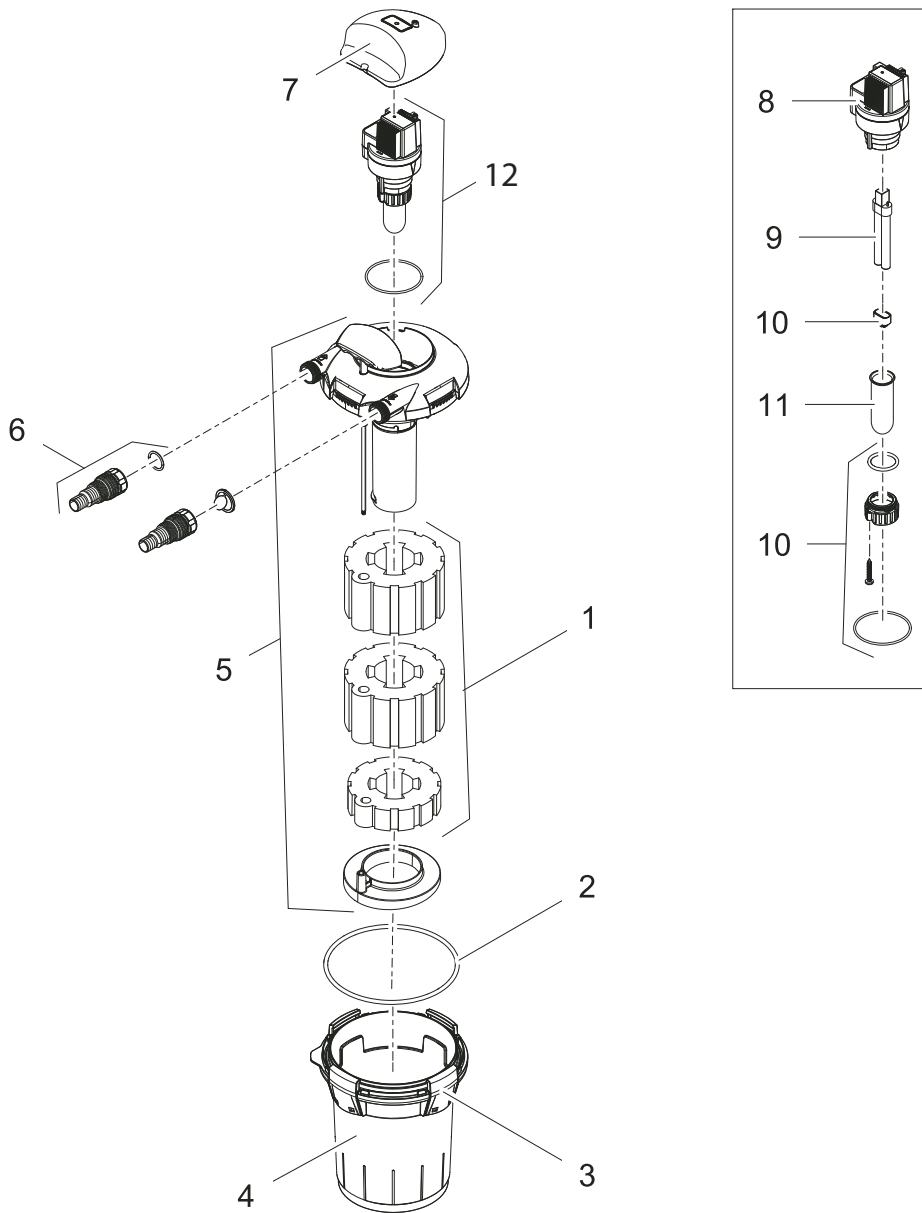
51235 Filtral UVC 9000 (GB)



Pos.	Produkt / Product	Artikelnr. / Item no.	Ersatzteil	Spare part
A	Filtral UVC 6000	21616	Ersatz UVC / Pumpe Filtral UVC 6000	Spare UVC / pump Filtral UVC 6000
	Filtral UVC 9000	21617	Ersatz UVC / Pumpe Filtral UVC 9000	Spare UVC / pump Filtral UVC 9000
1	Filtral UVC 6000–9000	29281	Oberschale Filtral UVC 5000	Top Filtral UVC 5000
2	Filtral UVC 6000–9000	35836	Ersatzfilter Set Filtral UVC 5000	Replacement filter set Filtral UVC 5000
3	Filtral UVC 6000–9000	11349	Filterunterteil Pumpe / UVC	Filterhousing base pump / UVC
4	Filtral UVC 6000–9000	35087	Luftanschluss BioTec 5.1/10.1	Air connection BioTec 5.1/10.1
5	Filtral UVC 6000–9000	29386	Trennwand Filtral UVC 5000	Separating plate Filtral UVC 5000
6	Filtral UVC 6000–9000	29388	Profildichtung D35 x 5	Profile gasket D35 x 5
7	Filtral UVC 6000–9000	20191	Winkel 1 ½" x A ½", SW, PP	90° bend Aquarius 1700
8	Filtral UVC 6000–9000	42429	Ersatz Stufenschlauchtülle ½"	Spare stepped hose tail ½"
9	Filtral UVC 6000–9000	28553	O-Ring NBR 61,6 x 2,62 SH70 A	O-Ring NBR 61.6 x 2.62 SH70 A
10	Filtral UVC 6000–9000	35872	Ersatz Wassergehäuse Filtral UVC 5000	Spare water housing Filtral UVC 5000
11	Filtral UVC 6000–9000	35770	BG Pumpengehäuse ASE 2500	ASM pump housing ASE 2500
12	Filtral UVC 6000–9000	18013	Ersatzrotor kpl. ASE 2500 magnetisiert	Spare rotor cpl. ASE 2500 magnetized
13	Filtral UVC 6000–9000	27891	Linsenschraube CH-V2A DIN 7981 3,5 x 22	Oval head screw CH-V2A DIN 7981 3.5 x 22
14	Filtral UVC 6000–9000	12049	Klemmschraube UVC 7/9/11 W	Clamp screw UVC 7/9/11 W
15	Filtral UVC 6000–9000	19475	O-Ring Viton 32 x 4 SH70	O-Ring Viton 32 x 4 SH70
16	Filtral UVC 6000–9000	13312	Ersatz Quarzglas UVC 7/9/11 W	Spare quartz glass UVC 7/9/11 W
17	Filtral UVC 6000	54984	Ersatzlampe UVC 9 W	Replacement bulb UVC 9 W
	Filtral UVC 9000	56112	Ersatzlampe UVC 11 W	Replacement bulb UVC 11 W

Produkt / Product

50499 BioPress Set 4000

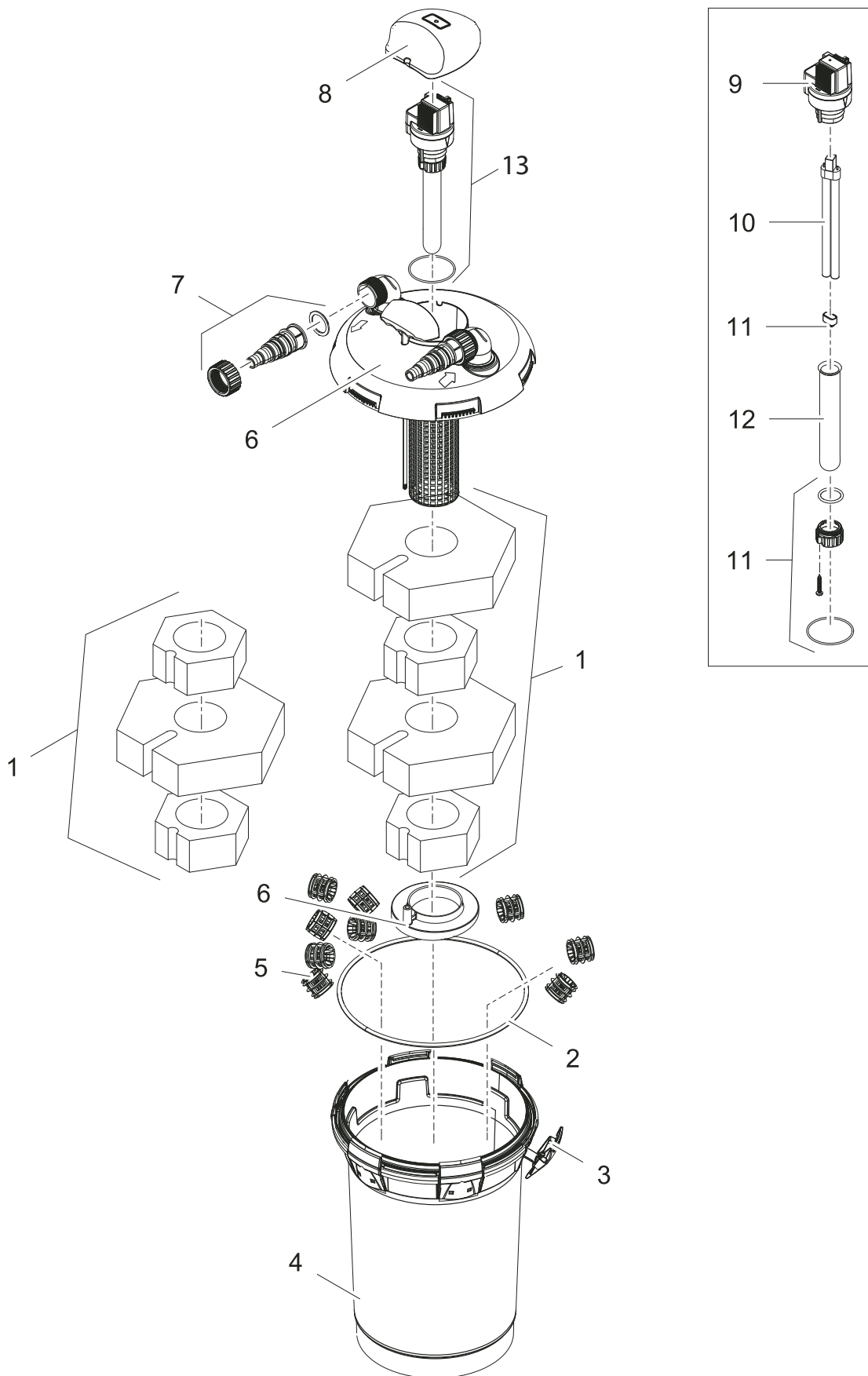


Pos.	Produkt / Product	Artikelnr. / Item no.	Ersatzteil	Spare part
1	BioPress Set 4000	15558	Ersatzschwamm Set DF 4000 / 5000	Replacement foam set DF 4000 / 5000
2	BioPress Set 4000	14543	O-Ring NBR 185 x 6 SH40 A	O-Ring NBR 185 x 6 SH40 A
3	BioPress Set 4000	15327	BG Klammer BioPress 4000	ASM clamp BioPress 4000
4	BioPress Set 4000	14555	Behälter DF 4000 / 5000	Filter box DF 4000 / 5000
5	BioPress Set 4000	15561	Ersatz Deckel BioPress Set 4000	Spare part lid BioPress Set 4000
6	BioPress Set 4000	14825	Beipack BioPress Set 4000	Additional pack BioPress Set 4000
7	BioPress Set 4000	15326	BG Abdeckung BioPress 4000 – 10000	ASM cover BioPress 4000 – 10000
8	BioPress Set 4000	15665	BG UVC 7/9/11 W 2011	ASM UVC 7/9/11 W 2011
9	BioPress Set 4000	57111	Ersatzlampe UVC 7 W	Replacement bulb UVC 7 W
10	BioPress Set 4000	15535	Ersatz Klemmschrauben Set UVC 7/9/11 W	Spare part clip bolt set UVC 7/9/11 W
11	BioPress Set 4000	14193	Ersatz Quarzglasrohr UVC 7/9/11 W	Spare quartz glass tube UVC 7/9/11 W
12	BioPress Set 4000	15328	BG UVC BioPress 4000	ASM UVC BioPress 4000

Produkt / Product

50453 BioPress Set 6000

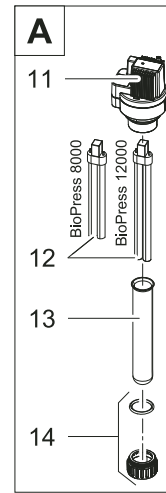
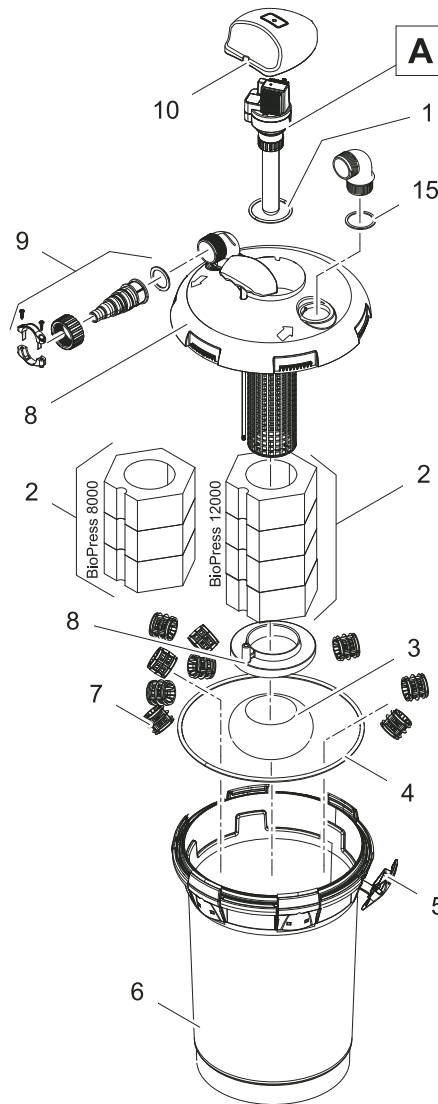
50455 BioPress Set 10000



Pos.	Produkt / Product	Artikelnr. / Item no.	Ersatzteil	Spare part
1	BioPress Set 6000 – 10000	15564	Ersatzschwamm Set BioPress Set	Replacement foam set BioPress Set
2	BioPress Set 6000 – 10000	28812	O-Ring NBR 304 x 7 SH40	O-Ring NBR 304 x 7 SH40
3	BioPress Set 6000 – 10000	35751	BG Klammer BioPress	ASM clamp BioPress
4	BioPress Set 6000	28042	Behälter BioPress 8000 – 10000	Filter box BioPress 8000 – 10000
	BioPress Set 10000	28041	Behälter BioPress 12000 – 15000	Filter box BioPress 12000 – 15000
5	BioPress Set 6000 – 10000	35814	Ersatz Bioballs DF	Spare part Bioballs DF
6	BioPress Set 6000	35815	Filteroberteil BioPress 6000 – 8000	Filter top BioPress 6000 – 8000
	BioPress Set 10000	35816	Filteroberteil BioPress 10000 – 12000	Filter top BioPress 10000 – 12000
7	BioPress Set 6000 – 10000	15313	Beipack BioPress 2011	Additional pack BioPress 2011
8	BioPress Set 6000 – 10000	15326	BG Abdeckung BioPress 4000 – 10000	ASM cover BioPress 4000 – 10000
9	BioPress Set 6000 – 10000	15665	BG UVC 7/9/11 W 2011	ASM UVC 7/9/11 W 2011
10	BioPress Set 6000	54984	Ersatzlampe UVC 9 W	Replacement bulb UVC 9 W
	BioPress Set 10000	56112	Ersatzlampe UVC 11 W	Replacement bulb UVC 11 W
11	BioPress Set 6000 – 10000	15535	Ersatz Klemmschrauben Set UVC 7/9/11 W	Spare part clip bolt set UVC 7/9/11 W
12	BioPress Set 6000 – 10000	13312	Ersatz Quarzglas UVC 7/9/11 W	Spare quartz glass UVC 7/9/11 W
13	BioPress Set 6000 – 10000	35838	BG UVC 11 W kpl.	ASM UVC 11 W cpl.

Produkt / Product

57385 BioPress Set 8000  
57386 BioPress Set 12000



Pos.	Produkt / Product	Artikelnr. / Item no.	Ersatzteil	Spare part
A	BioPress Set 8000 – 12000	35838	BG UVC 11 W kpl.	ASM UVC 11 W cpl.
1	BioPress Set 8000 – 12000	25969	O-Ring NBR 60 x 2,5 SH70 A	O-Ring NBR 60 x 2.5 SH70 A
2	BioPress Set 8000 – 12000	15564	Ersatzschwamm Set BioPress Set	Replacement foam set BioPress Set
3	BioPress Set 8000 – 12000	28526	Lavagestein im Beutel	Lava stones in bag
4	BioPress Set 8000 – 12000	28812	O-Ring NBR 304 x 7 SH40	O-Ring NBR 304 x 7 SH40
5	BioPress Set 8000 – 12000	35751	BG Klammer BioPress	ASM clamp BioPress
6	BioPress Set 8000	28042	Behälter BioPress 8000 – 10000	Filter box BioPress 8000 – 10000
	BioPress Set 12000	28041	Behälter BioPress 12000 – 15000	Filter box BioPress 12000 – 15000
7	BioPress Set 8000 – 12000	35814	Ersatz Bioballs DF	Spare part Bioballs DF
8	BioPress Set 8000	35815	Filteroberteil BioPress 6000 – 8000	Filter top BioPress 6000 – 8000
	BioPress Set 12000	35816	Filteroberteil BioPress 10000 – 12000	Filter top BioPress 10000 – 12000
9	BioPress Set 8000 – 12000	15313	Beipack BioPress 2011	Additional pack BioPress 2011
10	BioPress Set 8000 – 12000	29463	Abdeckung BioPress	Cover BioPress
11	BioPress Set 8000 – 12000	15665	BG UVC 7/9/11 W 2011	ASM UVC 7/9/11 W 2011
12	BioPress Set 8000 – 12000	56112	Ersatzlampe UVC 11 W	Replacement bulb UVC 11 W
13	BioPress Set 8000 – 12000	13312	Ersatz Quarzglas UVC 7/9/11 W	Spare quartz glass UVC 7/9/11 W
14	BioPress Set 8000 – 12000	15535	Ersatz Klemmschrauben Set UVC 7/9/11 W	Spare part clip bolt set UVC 7/9/11 W
15	BioPress Set 8000 – 12000	24813	O-Ring NBR 46 x 2 SH70	O-Ring NBR 46 x 2 SH70

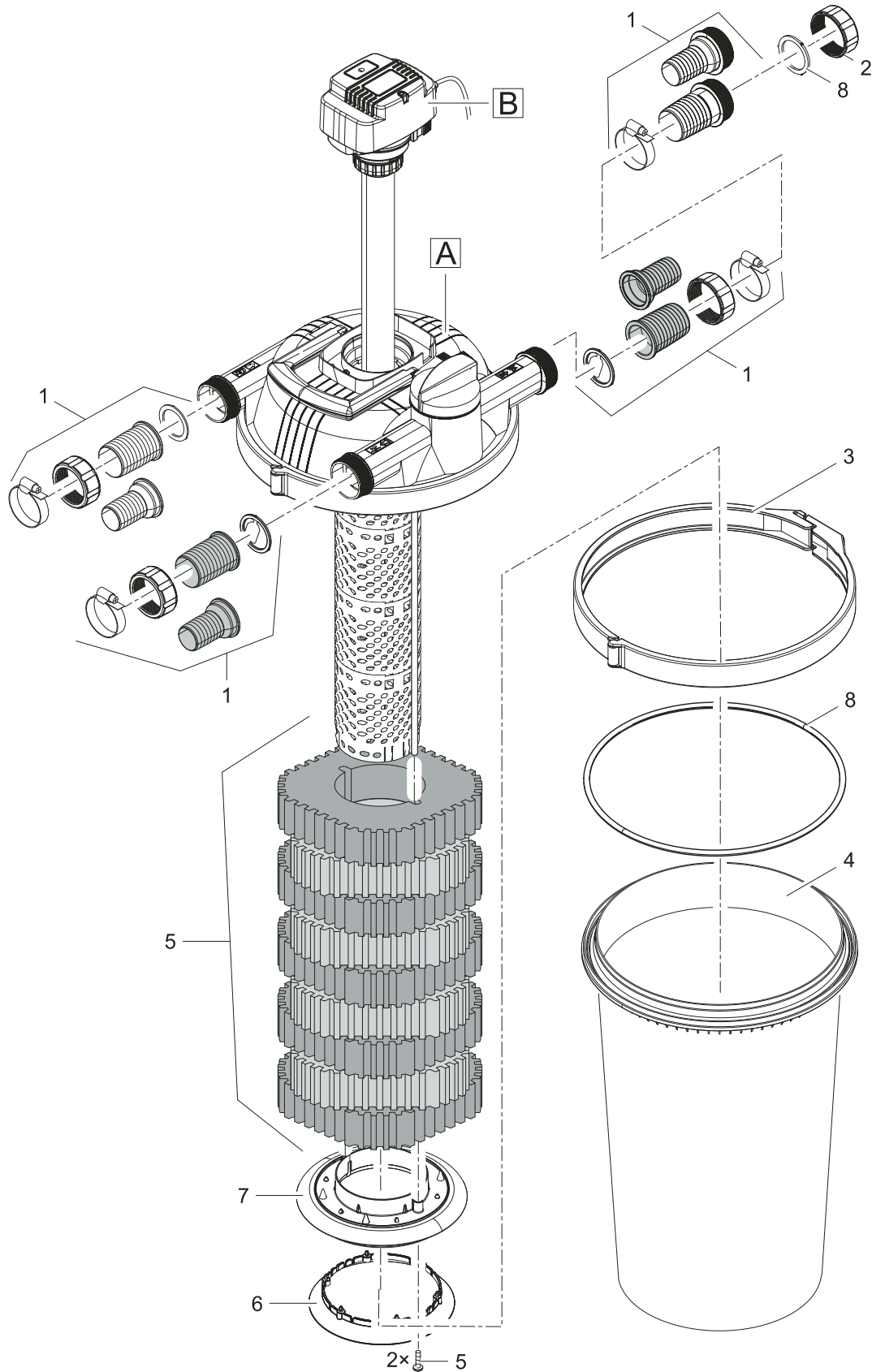


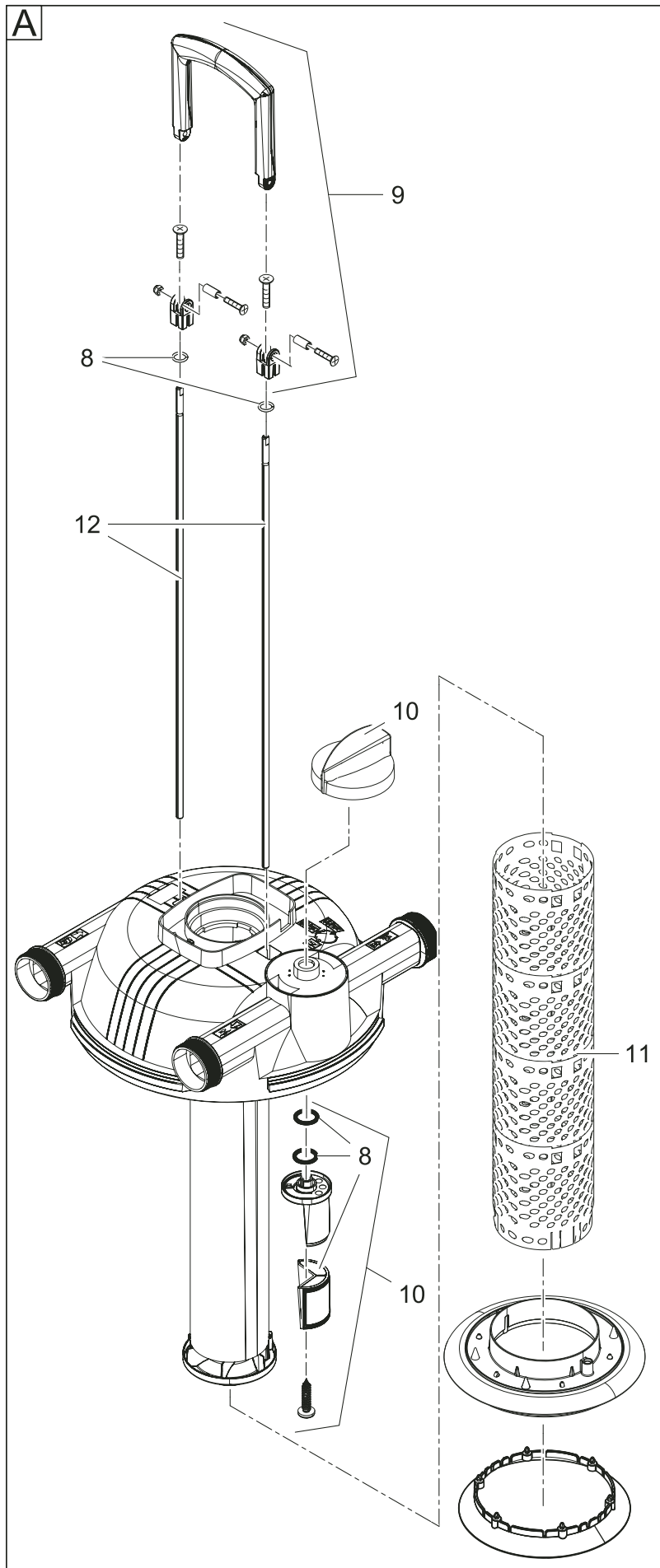


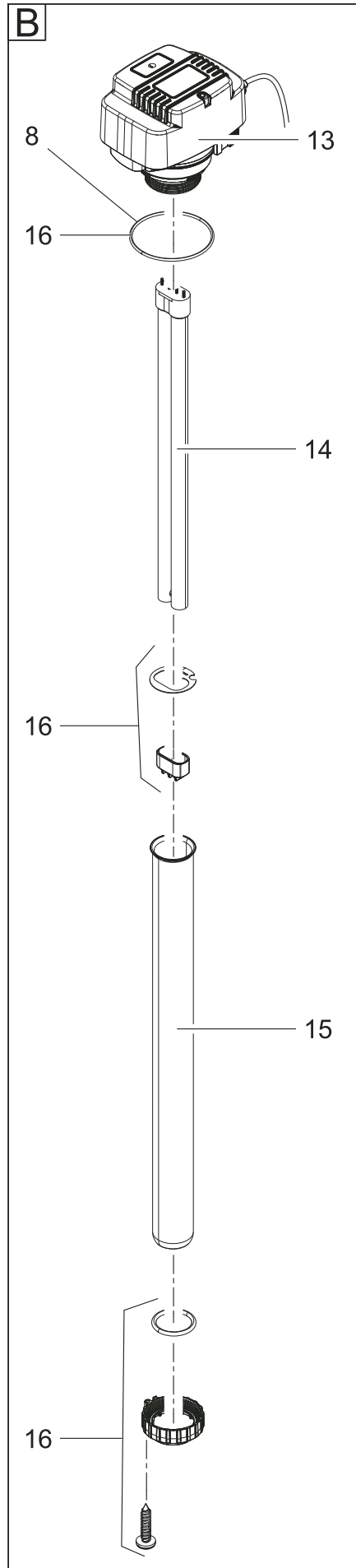
Pos.	Produkt / Product	Artikelnr. / Item no.	Ersatzteil	Spare part
1	FiltoClear 3000	24460	Behälter FiltoClear 3000	Filter box FiltoClear 3000
	FiltoClear 6000	24461	Behälter FiltoClear 6000	Filter box FiltoClear 6000
	FiltoClear 11000	24462	Behälter FiltoClear 11000	Filter box FiltoClear 11000
	FiltoClear 15000	26527	Behälter FiltoClear 15000 – 30000	Filter box FiltoClear 15000 – 30000
2	FiltoClear 3000 – 15000	24459	Deckelaußenteil FiltoClear 3000 – 15000	Cover FiltoClear 3000 – 15000
3	FiltoClear 3000 – 15000	24457	Deckelinnenteil FiltoClear	Inner part cover FiltoClear
4	FiltoClear 3000	54984	Ersatzlampe UVC 9 W	Replacement bulb UVC 9 W
	FiltoClear 6000	56112	Ersatzlampe UVC 11 W	Replacement bulb UVC 11 W
	FiltoClear 11000	56112	Ersatzlampe UVC 11 W	Replacement bulb UVC 11 W
	FiltoClear 15000	56112	Ersatzlampe UVC 11 W	Replacement bulb UVC 11 W
5	FiltoClear 3000 – 15000	14360	BG UVC FiltoClear 9 / 11 W 230 V ASE	ASM UVC FiltoClear 9/11 W 230 V ASE
6	FiltoClear 3000 – 15000	13312	Ersatz Quarzglas UVC 7/9/11 W	Spare quartz glass UVC 7/9/11 W
7	FiltoClear 3000	14235	Gitterrohr FiltoClear 3000 / 145 mm	Mesh tube FiltoClear 3000 / 145 mm
	FiltoClear 6000	14236	Gitterrohr FiltoClear 6000 / 263 mm	Mesh tube FiltoClear 6000 / 263 mm
	FiltoClear 11000	14237	Gitterrohr FiltoClear 11000 / 383 mm	Mesh tube FiltoClear 11000 / 383 mm
	FiltoClear 15000	14238	Gitterrohr FiltoClear 15000 / 503 mm	Mesh tube FiltoClear 15000 / 503 mm
8	FiltoClear 3000	34521	Schutzrohr UVC	Protection pipe UVC
	FiltoClear 6000	34521	Schutzrohr UVC	Protection pipe UVC
	FiltoClear 11000	34521	Schutzrohr UVC	Protection pipe UVC
	FiltoClear 15000	35256	BG Schutzrohr UVC mit Reflektorblech	ASM protection pipe UVC with reflector
9	FiltoClear 3000 – 15000	34579	Ersatz-Set Bedienelemente FiltoClear	Spare set operation pieces FiltoClear
10	FiltoClear 3000 – 15000	34580	Ersatz-Set Schraubenelemente FiltoClear	Spare parts set screws FiltoClear
11	FiltoClear 3000 – 15000	34581	Ersatz-Set Dichtungen FiltoClear	Spare part gasket set FiltoClear
12	FiltoClear 3000	56109	Ersatzschwamm Set FiltoClear 3000	Replacement foam set FiltoClear 3000
	FiltoClear 6000	56110	Ersatzschwamm Set FiltoClear 6000	Replacement foam set FiltoClear 6000
	FiltoClear 11000	56111	Ersatzschwamm Set FiltoClear 11000	Replacement foam set FiltoClear 11000
	FiltoClear 15000	56884	Ersatzschwamm Set FiltoClear 15000	Replacement foam set FiltoClear 15000
13	FiltoClear 3000	2 x 24749	Reinigungsstange FiltoClear 3000	Cleaning rod FiltoClear 3000 (USA 800)
	FiltoClear 6000	2 x 24748	Reinigungsstange FiltoClear 6000	Cleaning rod FiltoClear 6000 (USA 1600)
	FiltoClear 11000	2 x 24747	Reinigungsstange FiltoClear 11000	Cleaning rod FiltoClear 11000 (USA 3000)
	FiltoClear 15000	2 x 26596	Reinigungsstange FiltoClear 15000 – 30000	Cleaning rod FiltoClear 15000 – 30000
14	FiltoClear 3000 – 15000	34561	Beipack FiltoClear 3000 – 15000	Additional pack FiltoClear 3000 – 15000
15	FiltoClear 3000 – 15000	34578	BG Spannring Druckfilter	ASM clamp pressure filter
16	FiltoClear 3000	56162	Ersatz Vorschaltgerät kpl. 9 W FiltoClear	Spare ballast cpl. 9 W FiltoClear
	FiltoClear 6000	56163	Ersatz Vorschaltgerät kpl. 11 W FiltoClear	Spare ballast cpl. 11 W FiltoClear
	FiltoClear 11000	56163	Ersatz Vorschaltgerät kpl. 11 W FiltoClear	Spare ballast cpl. 11 W FiltoClear
	FiltoClear 15000	56163	Ersatz Vorschaltgerät kpl. 11 W FiltoClear	Spare ballast cpl. 11 W FiltoClear
17	FiltoClear 3000 – 15000	34516	Scheibe f. Filterschaum	Disc filter foam

Produkt / Product

- 51244 FiltoClear 12000
- 51247 FiltoClear 16000
- 50576 FiltoClear 20000
- 50577 FiltoClear 30000



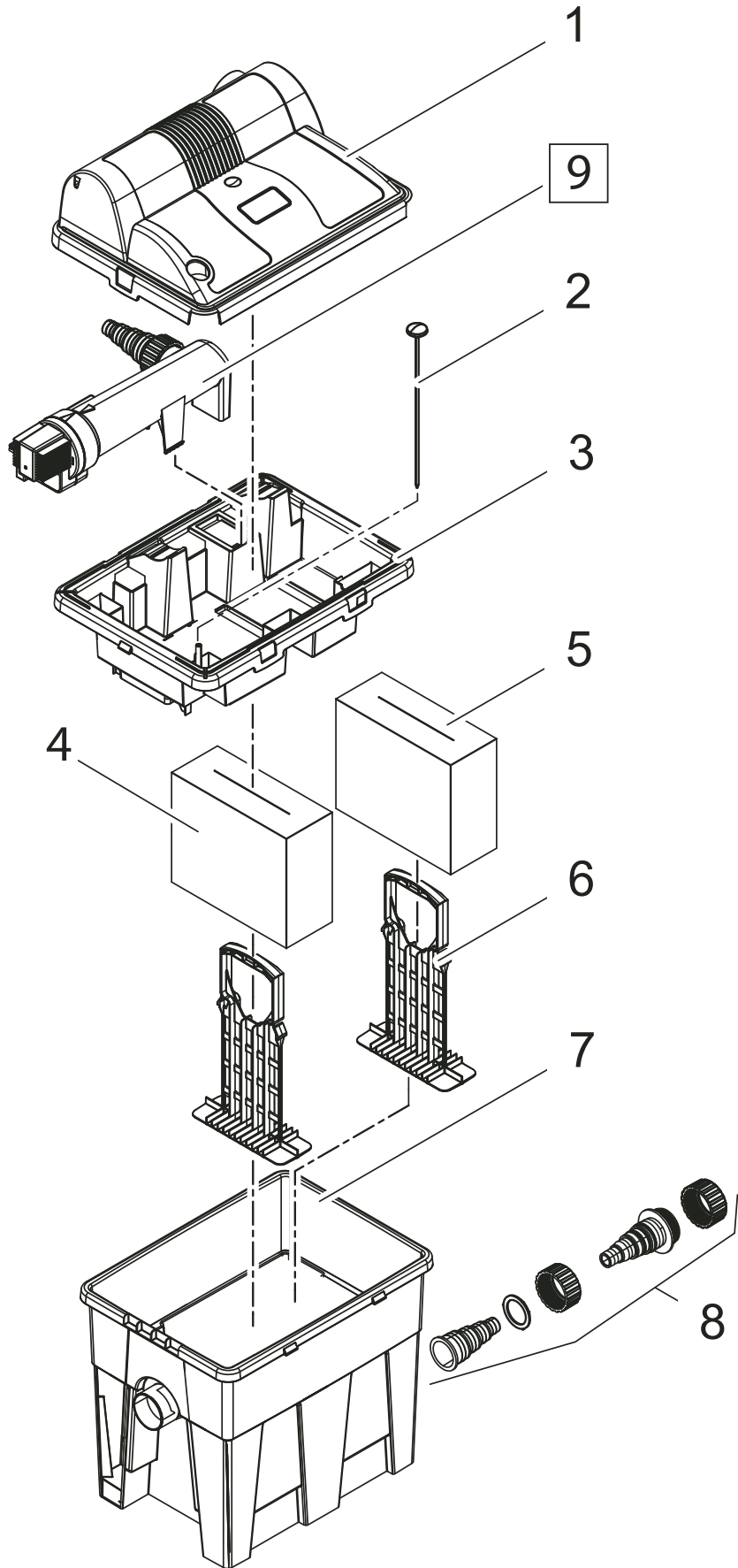
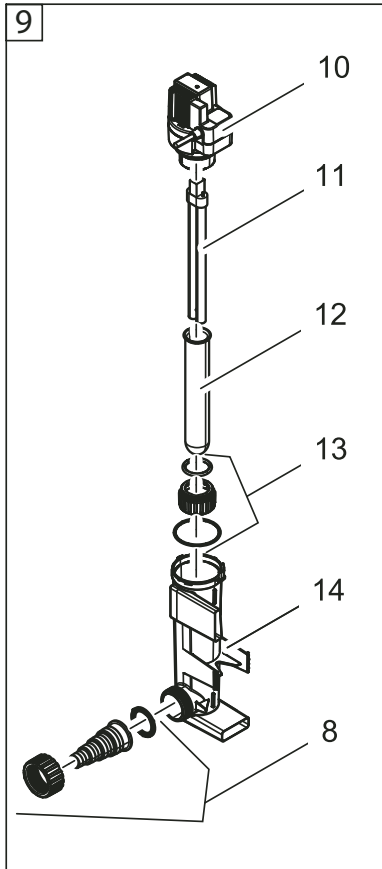




Pos.	Produkt / Product	Artikelnr. / Item no.	Ersatzteil	Spare part
A	FiltoClear 12000	<b>21377</b>	Ersatz Deckel FiltoClear 12000	<i>Spare part lid FiltoClear 12000</i>
	FiltoClear 16000	<b>21378</b>	Ersatz Deckel FiltoClear 16000	<i>Spare part lid FiltoClear 16000</i>
	FiltoClear 20000	<b>21650</b>	Ersatz Deckel FiltoClear 20000 / 30000	<i>Spare part lid FiltoClear 20000 / 30000</i>
	FiltoClear 30000	<b>21650</b>	Ersatz Deckel FiltoClear 20000 / 30000	<i>Spare part lid FiltoClear 20000 / 30000</i>
B	FiltoClear 12000	<b>21294</b>	BG UVC FiltoClear 12000 kpl.	<i>ASM UVC FiltoClear 12000 cpl.</i>
	FiltoClear 16000	<b>21299</b>	BG UVC FiltoClear 16000 kpl.	<i>ASM UVC FiltoClear 16000 cpl.</i>
	FiltoClear 20000	<b>15999</b>	BG UVC FiltoClear 20000 kpl.	<i>ASM UVC FiltoClear 20000 cpl.</i>
	FiltoClear 30000	<b>16000</b>	BG UVC FiltoClear 30000 kpl.	<i>ASM UVC FiltoClear 30000 cpl.</i>
<b>1</b>	FiltoClear 12 / 16 / 20 / 30000	<b>15830</b>	Beipack FiltoClear 12000 – 30000	<i>Additional pack FiltoClear 12000 – 30000</i>
<b>2</b>	FiltoClear 12 / 16 / 20 / 30000	<b>25993</b>	Schraubkappe 2"	<i>Screw cap 2"</i>
<b>3</b>	FiltoClear 12 / 16 / 20 / 30000	<b>34578</b>	BG Spannring Druckfilter	<i>ASM clamp pressure filter</i>
<b>4</b>	FiltoClear 12000	<b>24461</b>	Behälter FiltoClear 6000	<i>Filter box FiltoClear 6000</i>
	FiltoClear 16000	<b>24462</b>	Behälter FiltoClear 11000	<i>Filter box FiltoClear 11000</i>
	FiltoClear 20000	<b>26527</b>	Behälter FiltoClear 15000 – 30000	<i>Filter box FiltoClear 15000 – 30000</i>
	FiltoClear 30000	<b>26527</b>	Behälter FiltoClear 15000 – 30000	<i>Filter box FiltoClear 15000 – 30000</i>
<b>5</b>	FiltoClear 12000	<b>51255</b>	Ersatzschwamm Set FiltoClear 12000	<i>Replacement foam set FiltoClear 12000</i>
	FiltoClear 16000	<b>51258</b>	Ersatzschwamm Set FiltoClear 16000	<i>Replacement foam set FiltoClear 16000</i>
	FiltoClear 20000	<b>51290</b>	Ersatzschwamm Set FiltoClear 20000 / 30000	<i>Repl. foam set FiltoClear 20000 / 30000</i>
	FiltoClear 30000	<b>51290</b>	Ersatzschwamm Set FiltoClear 20000 / 30000	<i>Repl. foam set FiltoClear 20000 / 30000</i>
<b>6</b>	FiltoClear 12 / 16 / 20 / 30000	<b>15956</b>	Dichtlippe Behälter / Scheibe	<i>Lip seal case / disc</i>
<b>7</b>	FiltoClear 12 / 16 / 20 / 30000	<b>21539</b>	Scheibe Schaum FiltoClear 12000 – 30000	<i>Foam plate FiltoClear 12000 – 30000</i>
<b>8</b>	FiltoClear 12 / 16 / 20 / 30000	<b>16033</b>	Dichtungsset FiltoClear 12000 – 30000	<i>Gasket set FiltoClear 12000 – 30000</i>
<b>9</b>	FiltoClear 12 / 16 / 20 / 30000	<b>16029</b>	Ersatz Griff FiltoClear 12000 – 30000	<i>Spare part handle FiltoClear 12000 – 30000</i>
<b>10</b>	FiltoClear 12 / 16 / 20 / 30000	<b>16064</b>	Ersatz Drehgriff FiltoClear 12000 – 30000	<i>Spare part twist grip FiltoClear 12000 – 30000</i>
<b>11</b>	FiltoClear 12000	<b>21653</b>	Ersatz Gitterrohr FiltoClear 12000	<i>Spare part mesh tube FiltoClear 12000</i>
	FiltoClear 16000	<b>21654</b>	Ersatz Gitterrohr FiltoClear 16000	<i>Spare part mesh tube FiltoClear 16000</i>
	FiltoClear 20000	<b>21655</b>	Ersatz Gitterrohr FiltoClear 20000 / 30000	<i>Spare part mesh tube FiltoClear 20000 / 30000</i>
	FiltoClear 30000	<b>21655</b>	Ersatz Gitterrohr FiltoClear 20000 / 30000	<i>Spare part mesh tube FiltoClear 20000 / 30000</i>
<b>12</b>	FiltoClear 12000	<b>24748</b>	Reinigungsstange FiltoClear 6000	<i>Cleaning rod FiltoClear 6000 (USA 1600)</i>
	FiltoClear 16000	<b>24747</b>	Reinigungsstange FiltoClear 11000	<i>Cleaning rod FiltoClear 11000 (USA 3000)</i>
	FiltoClear 20000	<b>26596</b>	Reinigungsstange FiltoClear 15000 – 30000	<i>Cleaning rod FiltoClear 15000 – 30000</i>
	FiltoClear 30000	<b>26596</b>	Reinigungsstange FiltoClear 15000 – 30000	<i>Cleaning rod FiltoClear 15000 – 30000</i>
<b>13</b>	FiltoClear 12000	<b>21303</b>	BG Lampenkopf FiltoClear UVC 18	<i>ASM lamp head FiltoClear UVC 18</i>
	FiltoClear 16000	<b>21308</b>	BG Lampenkopf FiltoClear UVC 24	<i>ASM lamp head FiltoClear UVC 24</i>
	FiltoClear 20000	<b>15536</b>	BG Lampenkopf FiltoClear UVC 36	<i>ASM lamp head FiltoClear UVC 36</i>
	FiltoClear 30000	<b>15533</b>	BG Lampenkopf FiltoClear UVC 55	<i>ASM lamp head FiltoClear UVC 55</i>
<b>14</b>	FiltoClear 12000	<b>56236</b>	Ersatzlampe UVC 18 W	<i>Replacement bulb UVC 18 W</i>
	FiltoClear 16000	<b>56237</b>	Ersatzlampe UVC 24 W	<i>Replacement bulb UVC 24 W</i>
	FiltoClear 20000	<b>55432</b>	Ersatzlampe UVC 36 W	<i>Replacement bulb UVC 36 W</i>
	FiltoClear 30000	<b>56636</b>	Ersatzlampe UVC 55 W	<i>Replacement bulb UVC 55 W</i>
<b>15</b>	FiltoClear 12000	<b>13332</b>	Ersatz Quarzglas UVC 24 FiltoMatic	<i>Spare quartz glass UVC 24 FiltoMatic</i>
	FiltoClear 16000	<b>21763</b>	Ersatz Quarzglas UVC 24 FiltoClear	<i>Spare quartz glass UVC 24 FiltoClear</i>
	FiltoClear 20000	<b>13331</b>	Ersatz Quarzglasrohr Vitronic 36 / 55	<i>Spare quartz glass tube Vitronic 36 / 55</i>
	FiltoClear 30000	<b>13331</b>	Ersatz Quarzglasrohr Vitronic 36 / 55	<i>Spare quartz glass tube Vitronic 36 / 55</i>
<b>16</b>	FiltoClear 12 / 16 / 20 / 30000	<b>16031</b>	Ersatz Klemmschraubenset FiltoClear 12 – 30	<i>Spare part clamp bolt set FiltoClear 12 – 30</i>

Produkt / Product

- 50525 BioSmart Set 5000
- 50449 BioSmart Set 7000
- 57375 BioSmart UVC 8000



Pos.	Produkt / Product	Artikelnr. / Item no.	Ersatzteil	Spare part
1	BioSmart Set 5000 – 7000 / BioSmart UVC 8000	29404	Deckel UVC BioSmart	Cover UVC BioSmart
2	BioSmart Set 5000 – 7000 / BioSmart UVC 8000	29594	Thermometer neutral	Thermometer neutral
3	BioSmart Set 5000	34896	Innendeckel BioSmart 5000	Inner cover BioSmart 5000
	BioSmart Set 7000	34897	Innendeckel BioSmart 7000 / 8000	Inner cover BioSmart 7000 / 8000
	BioSmart UVC 8000	34897	Innendeckel BioSmart 7000 / 8000	Inner cover BioSmart 7000 / 8000
4	BioSmart Set 5000 – 7000 / BioSmart UVC 8000	35791	Ersatzschwamm rot BioSmart	Replacement foam red BioSmart
5	BioSmart Set 5000	35792	Ersatzschwamm blau BioSmart	Replacement foam blue BioSmart
	BioSmart Set 7000	2 x 35792	Ersatzschwamm blau BioSmart	Replacement foam blue BioSmart
	BioSmart UVC 8000	2 x 35792	Ersatzschwamm blau BioSmart	Replacement foam blue BioSmart
6	BioSmart Set 5000	2 x 34899	Schaumhalter DLF OEM03	Foam holder DLF OEM03
	BioSmart Set 7000	3 x 34899	Schaumhalter DLF OEM03	Foam holder DLF OEM03
	BioSmart UVC 8000	3 x 34899	Schaumhalter DLF OEM03	Foam holder DLF OEM03
7	BioSmart Set 5000 – 7000 / BioSmart UVC 8000	25727	Behälter BioSmart 5000 – 7000 mit UVC	Filter box BioSmart 5000 – 7000 with UVC
8	BioSmart Set 5000 – 7000 / BioSmart UVC 8000	35204	Ersatz Anschlussset BioSmart 5000 – 16000 mit UVC	Spare connection kit BioSmart 5000 – 16000 with UVC
9	BioSmart Set 5000	10763	BG UVC 7 W kpl.	ASM UVC 7 W cpl.
	BioSmart Set 7000	10767	BG UVC 9 W kpl.	ASM UVC 9 W cpl.
	BioSmart UVC 8000	10767	BG UVC 9 W kpl.	ASM UVC 9 W cpl.
10	BioSmart Set 5000 – 7000 / BioSmart UVC 8000	15665	BG UVC 7/9/11 W 2011	ASM UVC 7/9/11 W 2011
11	BioSmart Set 5000	57111	Ersatzlampe UVC 7 W	Replacement bulb UVC 7 W
	BioSmart Set 7000	54984	Ersatzlampe UVC 9 W	Replacement bulb UVC 9 W
	BioSmart UVC 8000	54984	Ersatzlampe UVC 9 W	Replacement bulb UVC 9 W
12	BioSmart Set 5000 – 7000 / BioSmart UVC 8000	13312	Ersatz Quarzglas UVC 7/9/11 W	Spare quartz glass UVC 7/9/11 W
13	BioSmart Set 5000 – 7000 / BioSmart UVC 8000	15535	Ersatz Klemmschrauben Set UVC 7/9/11 W	Spare part clip bolt set UVC 7/9/11 W
14	BioSmart Set 5000 – 7000 / BioSmart UVC 8000	34900	UVC-Wassergehäuse DLF OEM03	UVC water housing DLF OEM03

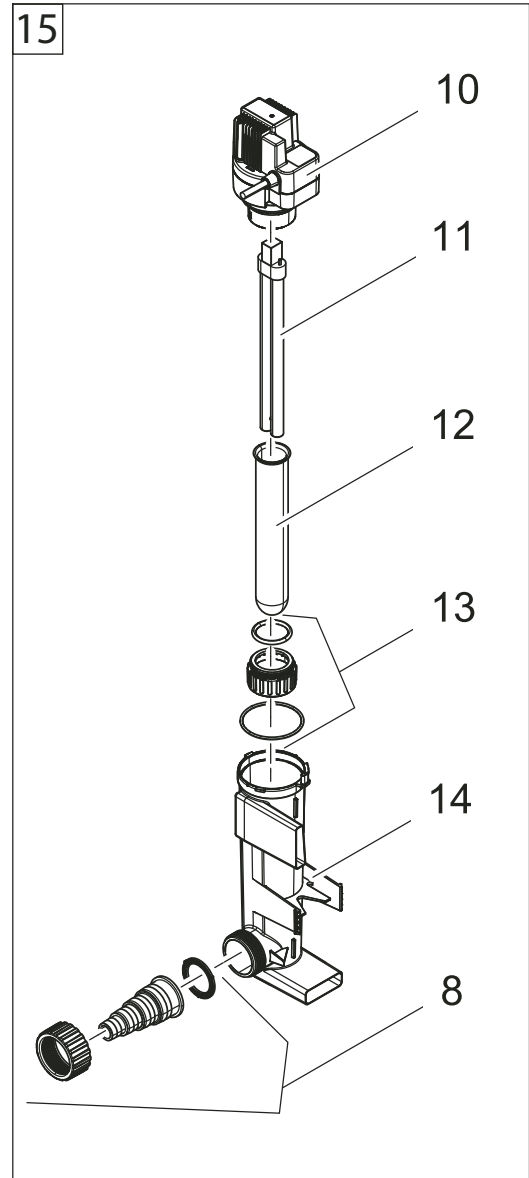
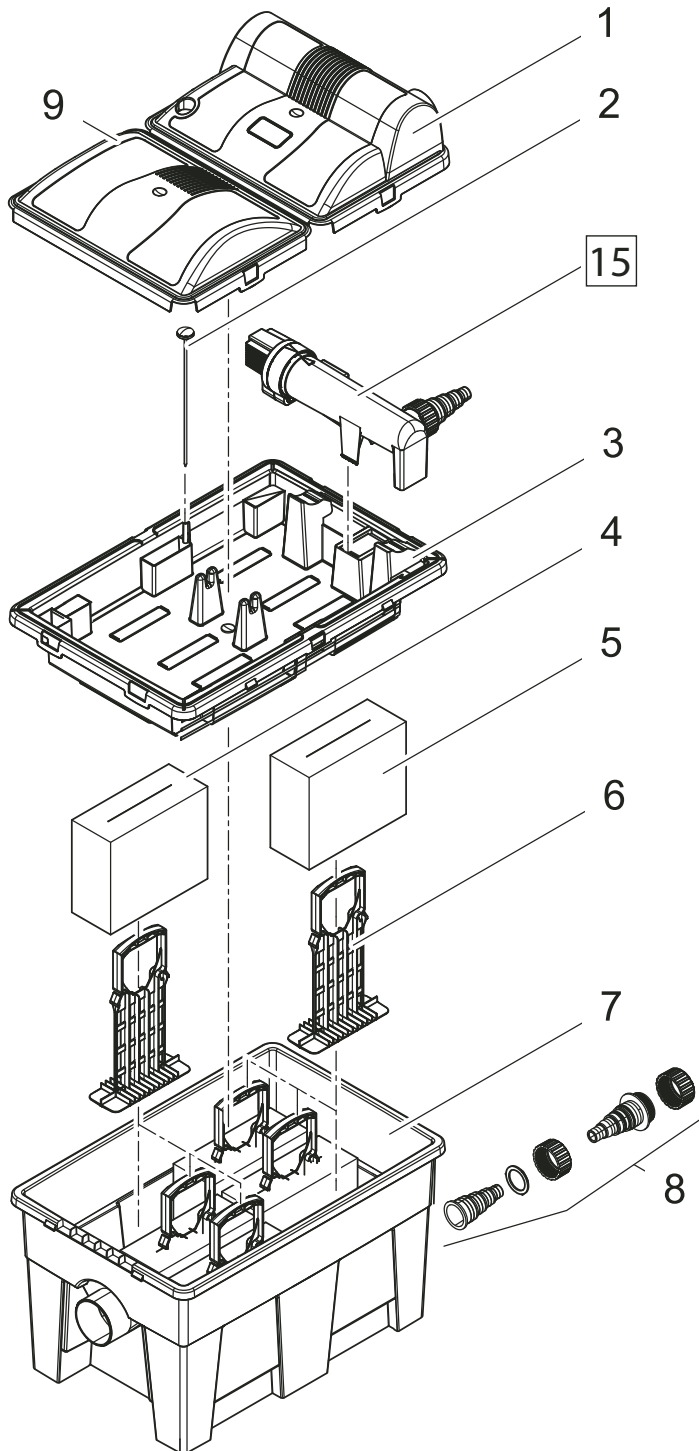
Produkt / Product

50451 BioSmart Set 14000

57377 BioSmart UVC 16000

FILTER, UVC & BELÜFTUNG / FILTERS, UVC & AERATORS

DURCHLAUFILTER / FLOW-THROUGH FILTERS





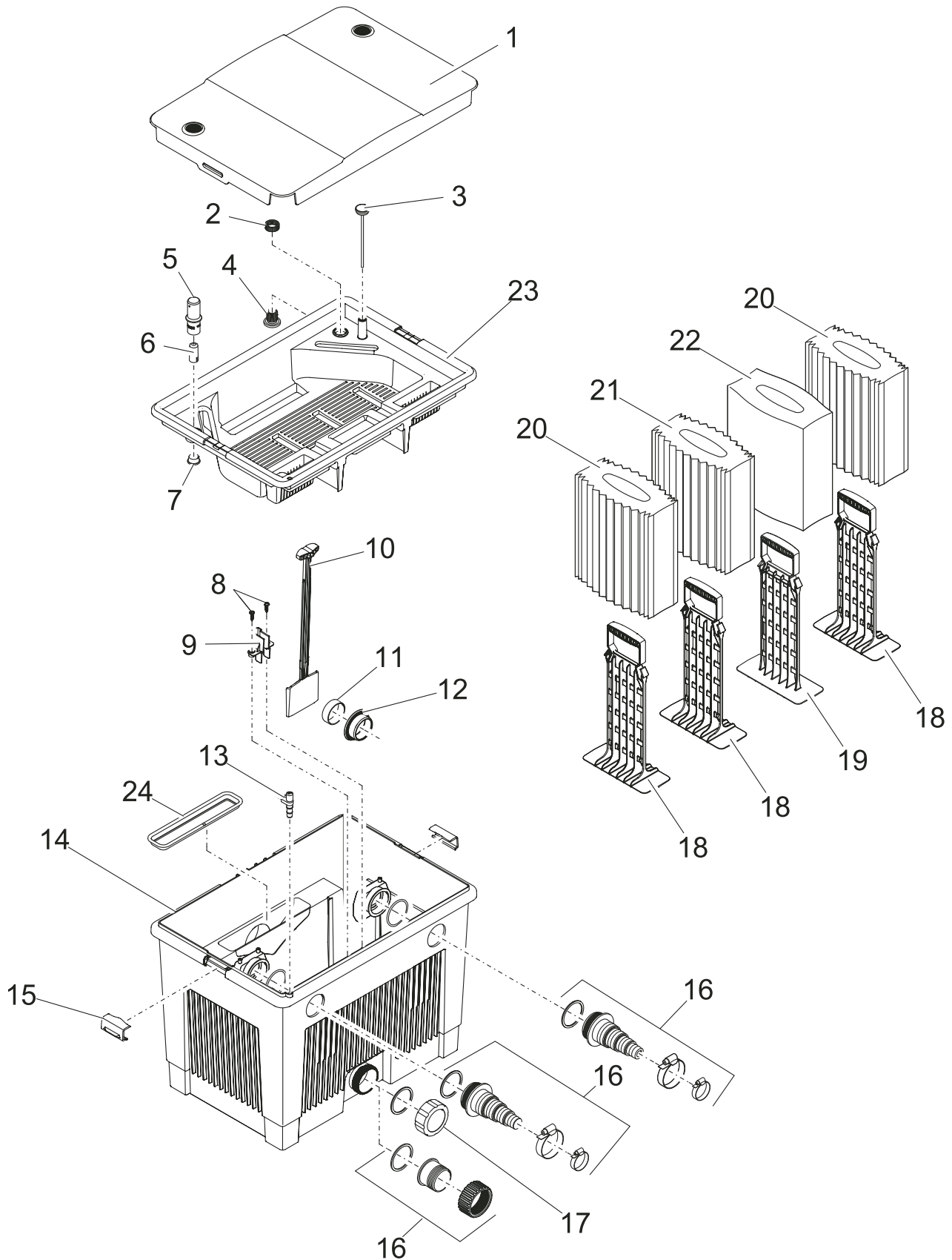
Pos.	Produkt / Product	Artikelnr. / Item no.	Ersatzteil	Spare part
1	BioSmart Set 14000 / BioSmart UVC 16000	29404	Deckel UVC BioSmart	Cover UVC BioSmart
2	BioSmart Set 14000 / BioSmart UVC 16000	29594	Thermometer neutral	Thermometer neutral
3	BioSmart Set 14000 / BioSmart UVC 16000	25731	Innendeckel BioSmart 14000 / 16000	Inner cover BioSmart 14000 / 16000
4	BioSmart Set 14000 / BioSmart UVC 16000	3 x 35791	Ersatzschwamm rot BioSmart	Replacement foam red BioSmart
5	BioSmart Set 14000 / BioSmart UVC 16000	3 x 35792	Ersatzschwamm blau BioSmart	Replacement foam blue BioSmart
6	BioSmart Set 14000 / BioSmart UVC 16000	6 x 34899	Schaumhalter DLF OEM03	Foam holder DLF OEM03
7	BioSmart Set 14000 / BioSmart UVC 16000	25729	Behälter BioSmart 8000 – 16000 mit UVC	Filter box BioSmart 8000 – 16000 with UVC
8	BioSmart Set 14000 / BioSmart UVC 16000	35204	Ersatz Anschlussset BioSmart 5000 – 16000 mit UVC	Spare connection kit BioSmart 5000 – 16000 with UVC
9	BioSmart Set 14000 / BioSmart UVC 16000	29405	Deckel BioSmart	Cover BioSmart
10	BioSmart Set 14000 / BioSmart UVC 16000	15665	BG UVC 7/9/11 W 2011	ASM UVC 7/9/11 W 2011
11	BioSmart Set 14000 / BioSmart UVC 16000	56112	Ersatzlampe UVC 11 W	Replacement bulb UVC 11 W
12	BioSmart Set 14000 / BioSmart UVC 16000	13312	Ersatz Quarzglas UVC 7/9/11 W	Spare quartz glass UVC 7/9/11 W
13	BioSmart Set 14000 / BioSmart UVC 16000	15535	Ersatz Klemmschrauben Set UVC 7/9/11 W	Spare part clip bolt set UVC 7/9/11 W
14	BioSmart Set 14000 / BioSmart UVC 16000	34900	UVC-Wassergehäuse DLF OEM03	UVC water housing DLF OEM03
15	BioSmart Set 14000 / BioSmart UVC 16000	10768	BG UVC 11 W kpl. mit Wassergehäuse	ASM UVC 11 W cpl. with waterhousing

Produkt / Product

56640 BioTec 5.1

56776 BioSmart 18000

56777 BioSmart Set 18000



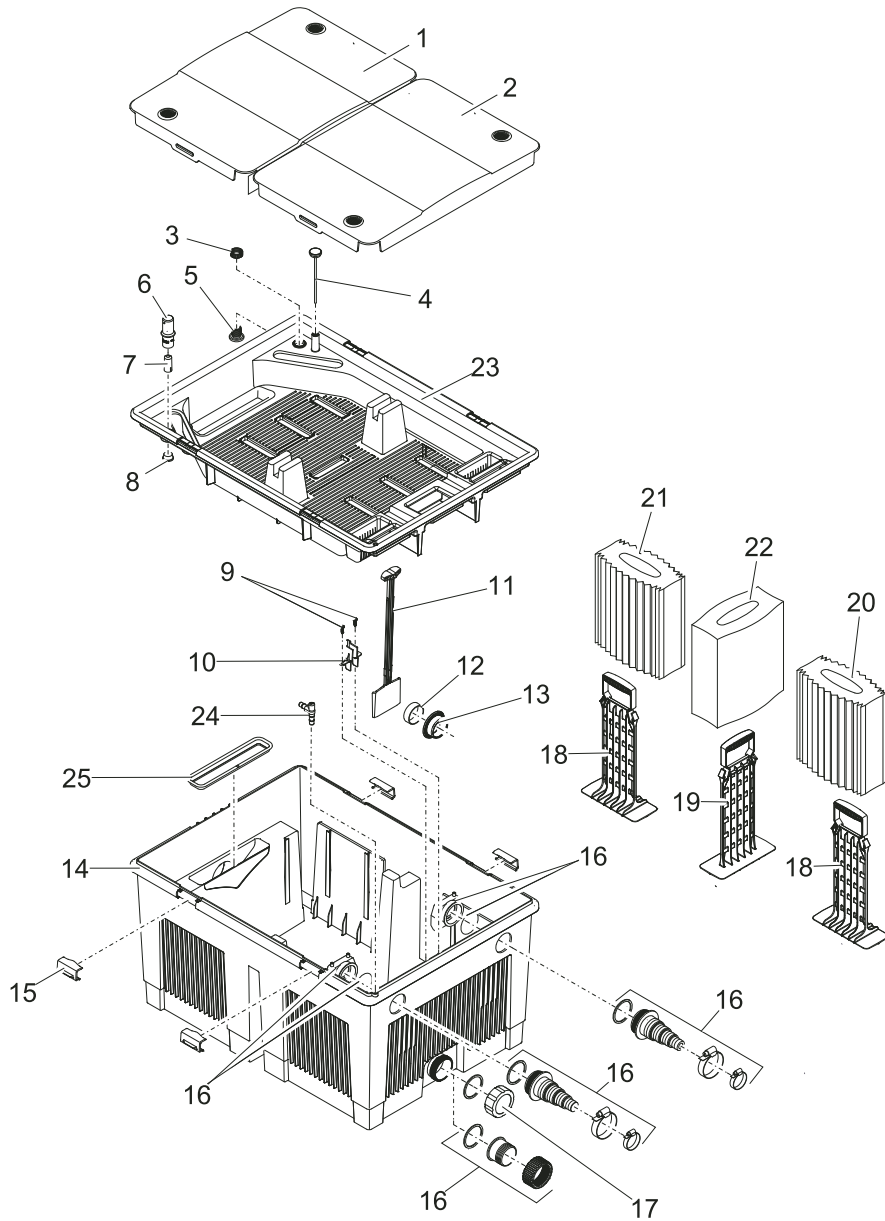
Pos.	Produkt / Product	Artikelnr. / Item no.	Ersatzteil	Spare part
1	BioTec 5.1 / BioSmart 18000 – Set 18000	26079	Deckel BioTec 5.1/10.1 ohne Gitter	Cover BioTec 5.1/10.1 w/o grating
2	BioTec 5.1 / BioSmart 18000 – Set 18000	26636	Steckschlauchanschluss ½"	Coupling nut ½"
3	BioTec 5.1 / BioSmart 18000 – Set 18000	29594	Thermometer neutral	Thermometer neutral
4	BioTec 5.1 / BioSmart 18000 – Set 18000	5542	PVC Nippel grau ½"	PVC nipple grey ½"
5	BioTec 5.1 / BioSmart 18000 – Set 18000	35083	Gehäuse Niveauanzeiger BioTec 5.1/10.1	Housing level indicator BioTec 5.1/10.1
6	BioTec 5.1 / BioSmart 18000 – Set 18000	35084	Schwimmer Niveauanzeiger BioTec 5.1/10.1	Float level indicator BioTec 5.1/10.1
7	BioTec 5.1 / BioSmart 18000 – Set 18000	26418	Verschlussstopfen Wasserstandsmelder	Sealing plug water level control
8	BioTec 5.1 / BioSmart 18000 – Set 18000	22853	Linsenschraube CH-V2A DIN 7981 4,8 x 19	Oval head screw CH-V2A DIN 7981 4.8 x 19
9	BioTec 5.1 / BioSmart 18000 – Set 18000	35089	Führung Schieber	Guiding gate valve
10	BioTec 5.1 / BioSmart 18000 – Set 18000	35085	Ablaufschieber BioTec 5.1/10.1	Drain valve BioTec 5.1/10.1
11	BioTec 5.1 / BioSmart 18000 – Set 18000	35103	Stützhülse Dichtung	Support sleeve gasket
12	BioTec 5.1 / BioSmart 18000 – Set 18000	26209	Ablaufdichtung BioTec 5.1/10.1 SH60	Sealing BioTec 5.1/10.1 SH60
13	BioTec 5.1 / BioSmart 18000 – Set 18000	35087	Luftanschluss BioTec 5.1/10.1	Air connection BioTec 5.1/10.1
14	BioTec 5.1 / BioSmart 18000 – Set 18000	26075	Behälter BioTec 5.1	Filter box BioTec 5.1
15	BioTec 5.1	2 x 35086	Halteklammer BioTec 5.1/10.1	Holding clamp BioTec 5.1/10.1
	BioSmart 18000	35086	Halteklammer BioTec 5.1/10.1	Holding clamp BioTec 5.1/10.1
	BioSmart Set 18000	35086	Halteklammer BioTec 5.1/10.1	Holding clamp BioTec 5.1/10.1
16	BioTec 5.1	22759	Beipack BioSmart 18000 / 36000	Add. pack BioSmart 18000 / 36000
	BioSmart 18000	22759	Beipack BioSmart 18000 / 36000	Add. pack BioSmart 18000 / 36000
	BioSmart Set 18000	22767	Beipack BioSmart Set 18 / 24 / 36000	Add. pack BioSmart Set 18 / 24 / 36000
17	BioTec 5.1 / BioSmart 18000 – Set 18000	25993	Schraubkappe 2"	Screw cap 2"
18	BioTec 5.1	3 x 35047	Schaumhalter BioTec 5.1/10.1 offen blau	Foam holder BioTec 5.1/10.1 open blue
	BioSmart 18000	35047	Schaumhalter BioTec 5.1/10.1 offen blau	Foam holder BioTec 5.1/10.1 open blue
	BioSmart Set 18000	35047	Schaumhalter BioTec 5.1/10.1 offen blau	Foam holder BioTec 5.1/10.1 open blue
19	BioTec 5.1 / BioSmart 18000 – Set 18000	35082	Schaumhalter BioTec 5.1/10.1 geschl. sw	Foam holder BioTec 5.1/10.1 closed black
20	BioTec 5.1	56678	Ersatzschwamm blau BioSmart 18000 – 36000	Replacement foam blue BioSmart 18000 – 36000
	BioSmart 18000	2 x 56678	Ersatzschwamm blau BioSmart 18000 – 36000	Replacement foam blue BioSmart 18000 – 36000
	BioSmart Set 18000	56678	Ersatzschwamm blau BioSmart 18000 – 36000	Replacement foam blue BioSmart 18000 – 36000
21	BioTec 5.1 / BioSmart 18000 – Set 18000	56677	Ersatzschwamm rot BioSmart 18000 – 36000	Replacement foam red BioSmart 18000 – 36000
22	BioTec 5.1 / BioSmart 18000 – Set 18000	56679	Ersatzschwamm grün BioSmart 18000 – 36000	Replacement foam green BioSmart 18000 – 36000
23	BioTec 5.1 / BioSmart 18000 – Set 18000	26076	Innendeckel BioTec 5.1	Inner cover BioTec 5.1
24	BioTec 5.1 / BioSmart 18000 – Set 18000	27846	Dichtung Innendeckel	Gasket inside cover

**Produkt / Product**

ehemals / formerly

- 56641 BioSmart 36000
- 50531 BioSmart Set 20000
- 56781 BioSmart Set 24000
- 50587 BioSmart Set 30000
- 56789 BioSmart Set 36000

BioTec 10.1 / BioSmart 30000

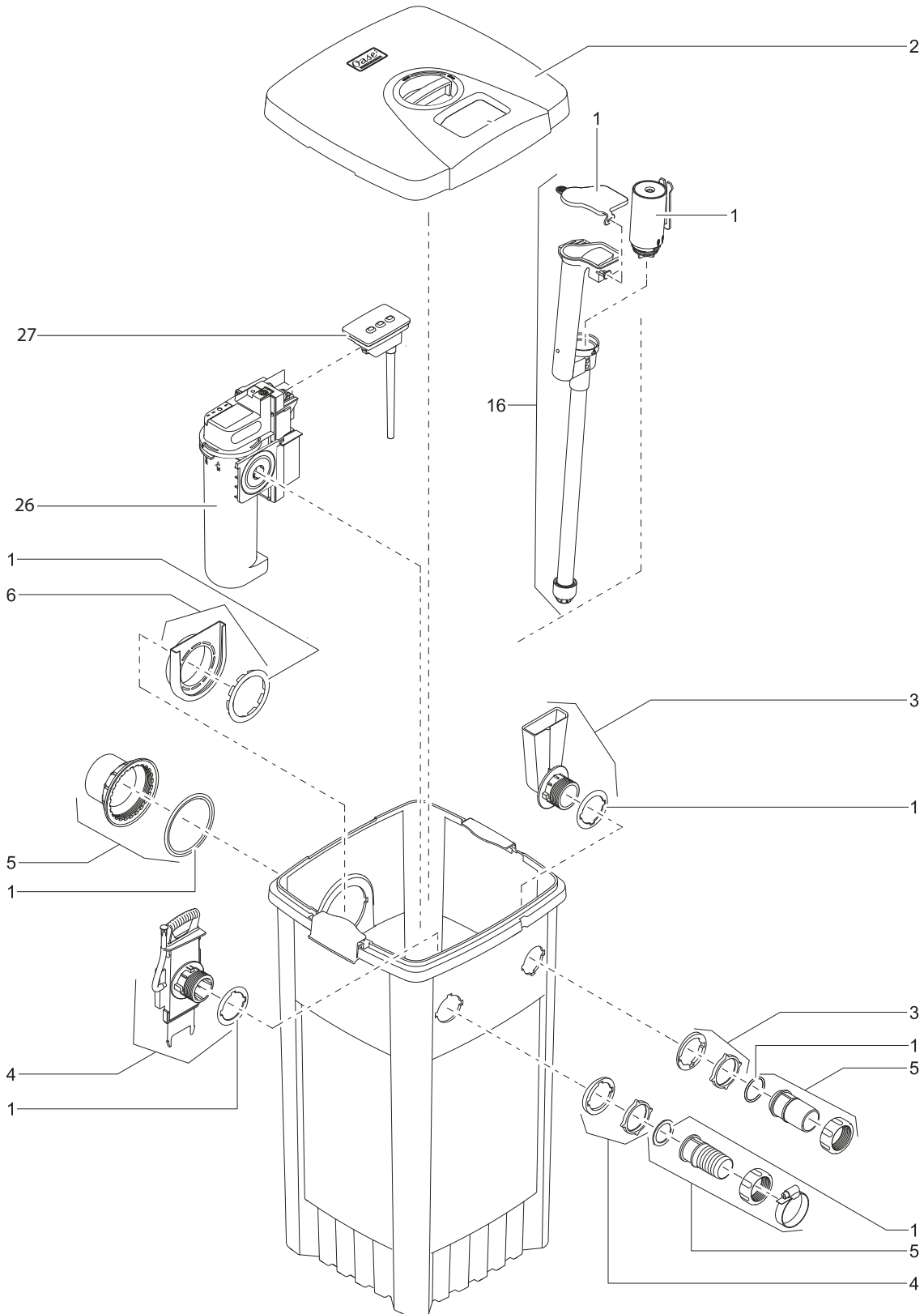


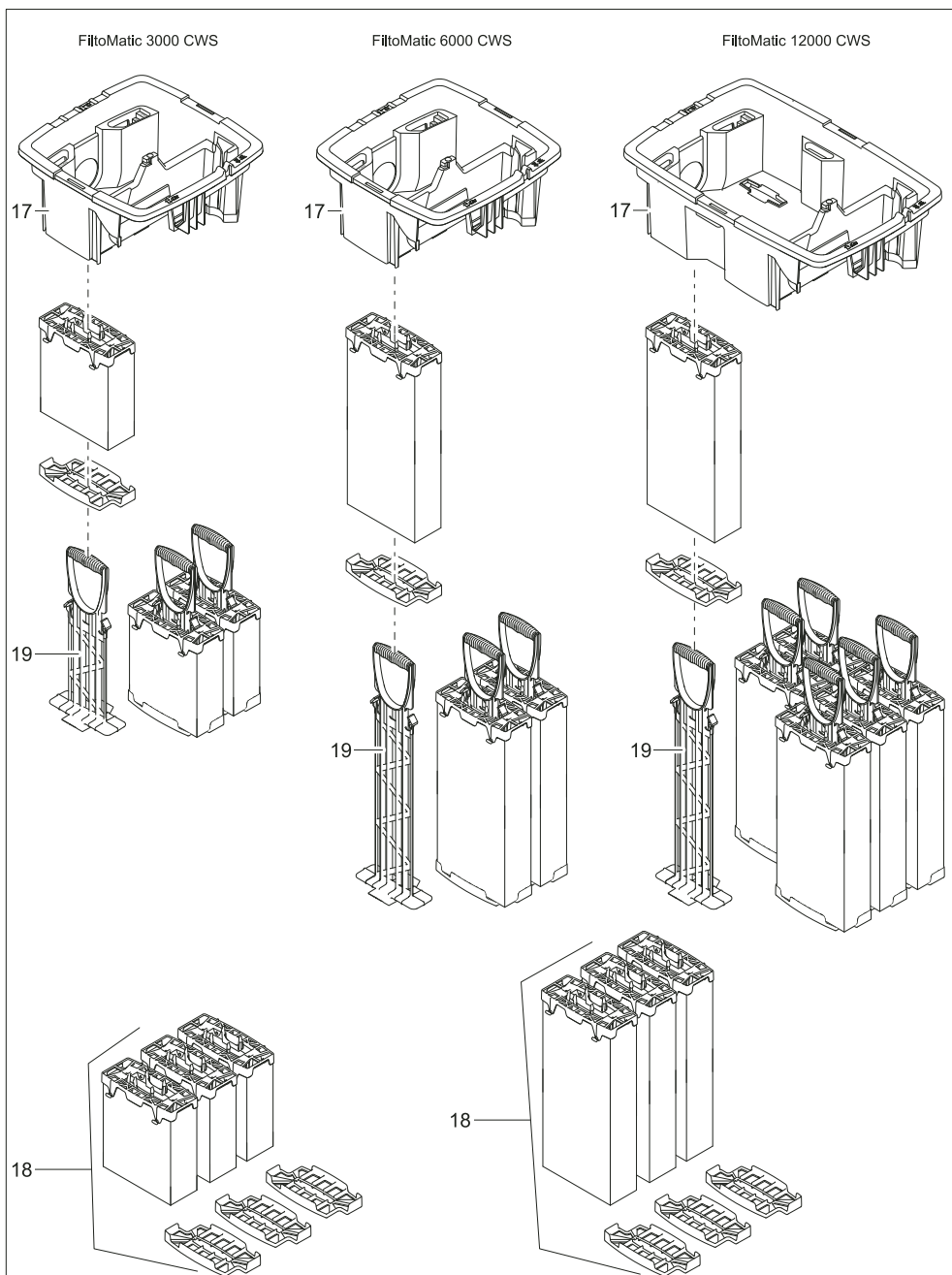
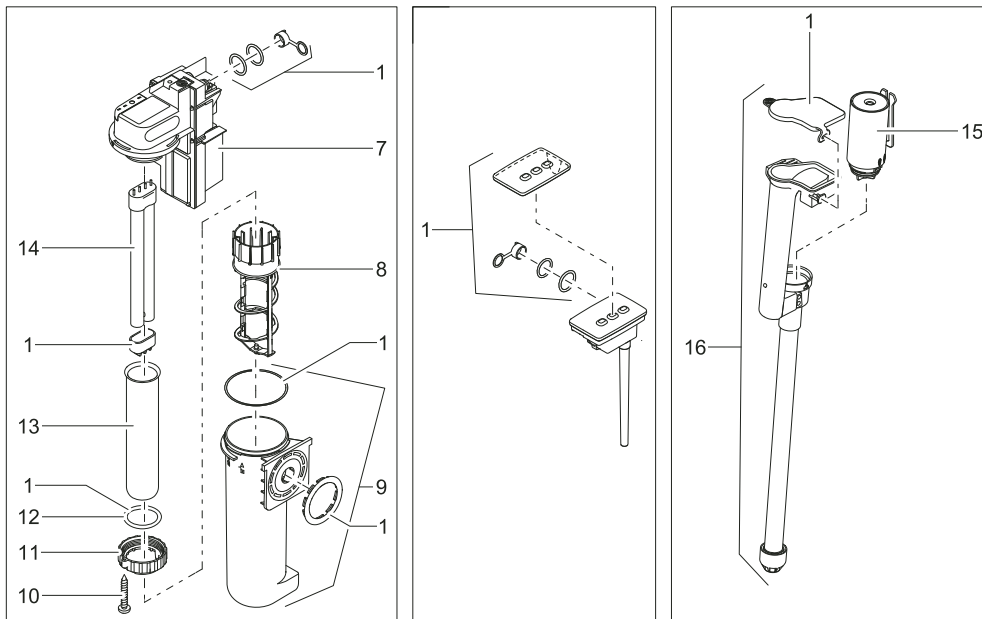
Pos.	Produkt / Product	Artikelnr. / Item no.	Ersatzteil	Spare part
1	BioSmart Set 20000 – 36000 / BioSmart 36000	26079	Deckel BioTec 5.1/10.1 ohne Gitter	Cover BioTec 5.1/10.1 w/o grating
2	BioSmart Set 20000 – 36000 / BioSmart 36000	26214	Deckel BioSmart 30000 mit Gitter	Cover BioSmart 30000 with grating
3	BioSmart Set 20000 – 36000 / BioSmart 36000	26636	Steckschlauchanschluss ½"	Coupling nut ½"
4	BioSmart 36000	29594	Thermometer neutral	Thermometer neutral
	BioSmart Set 20000	29594	Thermometer neutral	Thermometer neutral
	BioSmart Set 24000	29594	Thermometer neutral	Thermometer neutral
	BioSmart Set 30000	29594	Thermometer neutral	Thermometer neutral
	BioSmart Set 36000	26970	Thermometer Profiline Filter	Thermometer Profiline filter

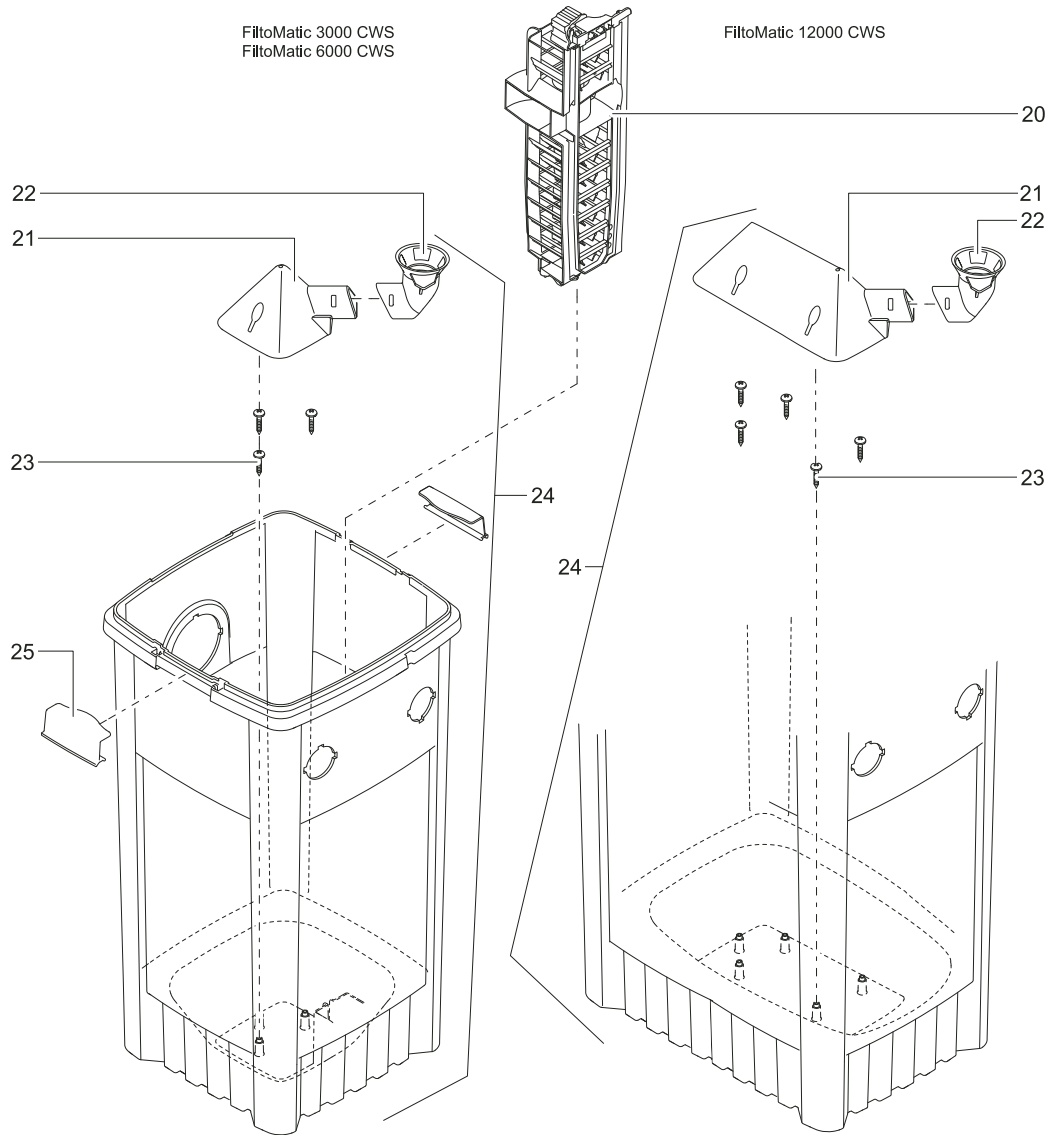
Pos.	Produkt / Product	Artikelnr. / Item no.	Ersatzteil	Spare part
5	BioSmart Set 20000 – 36000 / BioSmart 36000	5542	PVC Nippel grau ½"	PVC nipple grey ½"
6	BioSmart Set 20000 – 36000 / BioSmart 36000	35083	Gehäuse Niveauanzeiger BioTec 5.1/10.1	Housing level indicator BioTec 5.1/10.1
7	BioSmart Set 20000 – 36000 / BioSmart 36000	35084	Schwimmer Niveauanzeiger BioTec 5.1/10.1	Float level indicator BioTec 5.1/10.1
8	BioSmart Set 20000 – 36000 / BioSmart 36000	26418	Verschlussstopfen Wasserstandsmelder	Sealing plug water level control
9	BioSmart Set 20000 – 36000 / BioSmart 36000	22853	Linsenschraube CH-V2A DIN 7981 4,8 x 19	Oval head screw CH-V2A DIN 7981 4.8 x 19
10	BioSmart Set 20000 – 36000 / BioSmart 36000	35089	Führung Schieber	Guiding gate valve
11	BioSmart Set 20000 – 36000 / BioSmart 36000	35085	Ablaufschieber BioTec 5.1/10.1	Drain valve BioTec 5.1/10.1
12	BioSmart Set 20000 – 36000 / BioSmart 36000	35103	Stützhülse Dichtung	Support sleeve gasket
13	BioSmart Set 20000 – 36000 / BioSmart 36000	26209	Ablaufdichtung BioTec 5.1/10.1 SH60	Sealing BioTec 5.1/10.1 SH60
14	BioSmart Set 20000 – 36000 / BioSmart 36000	26077	Behälter BioSmart 30000	Filter box BioSmart 30000
15	BioSmart Set 20000 – 36000 / BioSmart 36000	35086	Halteklammer BioTec 5.1/10.1	Holding clamp BioTec 5.1/10.1
16	BioSmart 36000	22759	Beipack BioSmart 18000 / 36000	Add. pack BioSmart 18000 / 36000
	BioSmart Set 20000	22759	Beipack BioSmart 18000 / 36000	Add. pack BioSmart 18000 / 36000
	BioSmart Set 24000	22767	Beipack BioSmart Set 18 / 24 / 36000	Add. pack BioSmart Set 18 / 24 / 36000
	BioSmart Set 30000	22759	Beipack BioSmart 18000 / 36000	Add. pack BioSmart 18000 / 36000
	BioSmart Set 36000	22759	Beipack BioSmart 18000 / 36000	Add. pack BioSmart 18000 / 36000
17	BioSmart Set 20000 – 36000 / BioSmart 36000	25993	Schraubkappe 2"	Screw cap 2"
18	BioSmart 36000	8 x 35047	Schaumhalter BioTec 5.1/10.1 offen blau	Foam holder BioTec 5.1/10.1 open blue
	BioSmart Set 20000	8 x 35047	Schaumhalter BioTec 5.1/10.1 offen blau	Foam holder BioTec 5.1/10.1 open blue
	BioSmart Set 24000	35047	Schaumhalter BioTec 5.1/10.1 offen blau	Foam holder BioTec 5.1/10.1 open blue
	BioSmart Set 30000	8 x 35047	Schaumhalter BioTec 5.1/10.1 offen blau	Foam holder BioTec 5.1/10.1 open blue
	BioSmart Set 36000	35047	Schaumhalter BioTec 5.1/10.1 offen blau	Foam holder BioTec 5.1/10.1 open blue
19	BioSmart Set 20000 – 36000 / BioSmart 36000	35082	Schaumhalter BioTec 5.1/10.1 geschl. sw	Foam holder BioTec 5.1/10.1 closed black
20	BioSmart 36000	4 x 56678	Ersatzschwamm blau BioSmart 18000 – 36000	Replacement foam blue BioSmart 18000 – 36000
	BioSmart Set 20000	4 x 56678	Ersatzschwamm blau BioSmart 18000 – 36000	Replacement foam blue BioSmart 18000 – 36000
	BioSmart Set 24000	56678	Ersatzschwamm blau BioSmart 18000 – 36000	Replacement foam blue BioSmart 18000 – 36000
	BioSmart Set 30000	4 x 56678	Ersatzschwamm blau BioSmart 18000 – 36000	Replacement foam blue BioSmart 18000 – 36000
	BioSmart Set 36000	4 x 56678	Ersatzschwamm blau BioSmart 18000 – 36000	Replacement foam blue BioSmart 18000 – 36000
21	BioSmart 36000	4 x 56677	Ersatzschwamm rot BioSmart 18000 – 36000	Replacement foam red BioSmart 18000 – 36000
	BioSmart Set 20000	4 x 56677	Ersatzschwamm rot BioSmart 18000 – 36000	Replacement foam red BioSmart 18000 – 36000
	BioSmart Set 24000	56677	Ersatzschwamm rot BioSmart 18000 – 36000	Replacement foam red BioSmart 18000 – 36000
	BioSmart Set 30000	4 x 56677	Ersatzschwamm rot BioSmart 18000 – 36000	Replacement foam red BioSmart 18000 – 36000
	BioSmart Set 36000	4 x 56677	Ersatzschwamm rot BioSmart 18000 – 36000	Replacement foam red BioSmart 18000 – 36000
22	BioSmart Set 20000 – 36000 / BioSmart 36000	56679	Ersatzschwamm grün BioSmart 18000 – 36000	Replacement foam green BioSmart 18000 – 36000
23	BioSmart Set 20000 – 36000 / BioSmart 36000	26078	Innendeckel BioSmart 30000	Inner cover BioSmart 30000
24	BioSmart Set 20000 – 36000 / BioSmart 36000	35087	Luftanschluss BioTec 5.1/10.1	Air connection BioTec 5.1/10.1
25	BioSmart Set 20000 – 36000 / BioSmart 36000	27846	Dichtung Innendeckel	Gasket inside cover

Produkt / Product

- 50228 FiltoMatic CWS 3000
- 50229 FiltoMatic CWS 6000
- 50906 FiltoMatic CWS 7000
- 50230 FiltoMatic CWS 12000
- 50910 FiltoMatic CWS 14000
- 50925 FiltoMatic CWS 25000







Pos.	Produkt / Product	Artikelnr. / Item no.	Ersatzteil	Spare part
1	FiltoMatic CWS 3000 – 25000	12572	BG Dichtungset FiltoMatic	ASM gasket set FiltoMatic
2	FiltoMatic CWS 3000	12447	BG Deckel FiltoMatic CWS 3000 / 6000	ASM lid FiltoMatic CWS 3000 / 6000
	FiltoMatic CWS 6000	12447	BG Deckel FiltoMatic CWS 3000 / 6000	ASM lid FiltoMatic CWS 3000 / 6000
	FiltoMatic CWS 7000	12447	BG Deckel FiltoMatic CWS 3000 / 6000	ASM lid FiltoMatic CWS 3000 / 6000
	FiltoMatic CWS 12000	12481	BG Deckel FiltoMatic CWS 12000	ASM lid FiltoMatic CWS 12000
	FiltoMatic CWS 14000	12447	BG Deckel FiltoMatic CWS 3000 / 6000	ASM lid FiltoMatic CWS 3000 / 6000
	FiltoMatic CWS 25000	12481	BG Deckel FiltoMatic CWS 12000	ASM lid FiltoMatic CWS 12000
3	FiltoMatic CWS 3000 – 25000	12082	BG Schmutzablauf FiltoMatic	ASM dirt outlet FiltoMatic
4	FiltoMatic CWS 3000 – 25000	11367	BG Schieber Einlauf FiltoMatic	ASM gate inlet FiltoMatic
5	FiltoMatic CWS 3000 – 25000	11384	Beipack FiltoMatic	Additional pack FiltoMatic
6	FiltoMatic CWS 3000 – 25000	11364	BG Auslaufmutter	ASM outlet nut
7	FiltoMatic CWS 3000	11374	Ersatz UVC 11 Elektroeinheit FiltoMatic	Spare UVC 11 electronic FiltoMatic
	FiltoMatic CWS 6000	11459	Ersatz UVC 18 Elektroeinheit FiltoMatic	Spare UVC 18 electronic FiltoMatic
	FiltoMatic CWS 7000	11374	Ersatz UVC 11 Elektroeinheit FiltoMatic	Spare UVC 11 electronic FiltoMatic
	FiltoMatic CWS 12000	11460	Ersatz UVC 24 Elektroeinheit FiltoMatic	Spare UVC 24 electronic FiltoMatic
	FiltoMatic CWS 14000	11460	Ersatz UVC 24 Elektroeinheit FiltoMatic	Spare UVC 24 electronic FiltoMatic
	FiltoMatic CWS 25000	18231	Ersatz UVC 24 Reflektor FiltoMatic	Spare UVC 24 reflector FiltoMatic

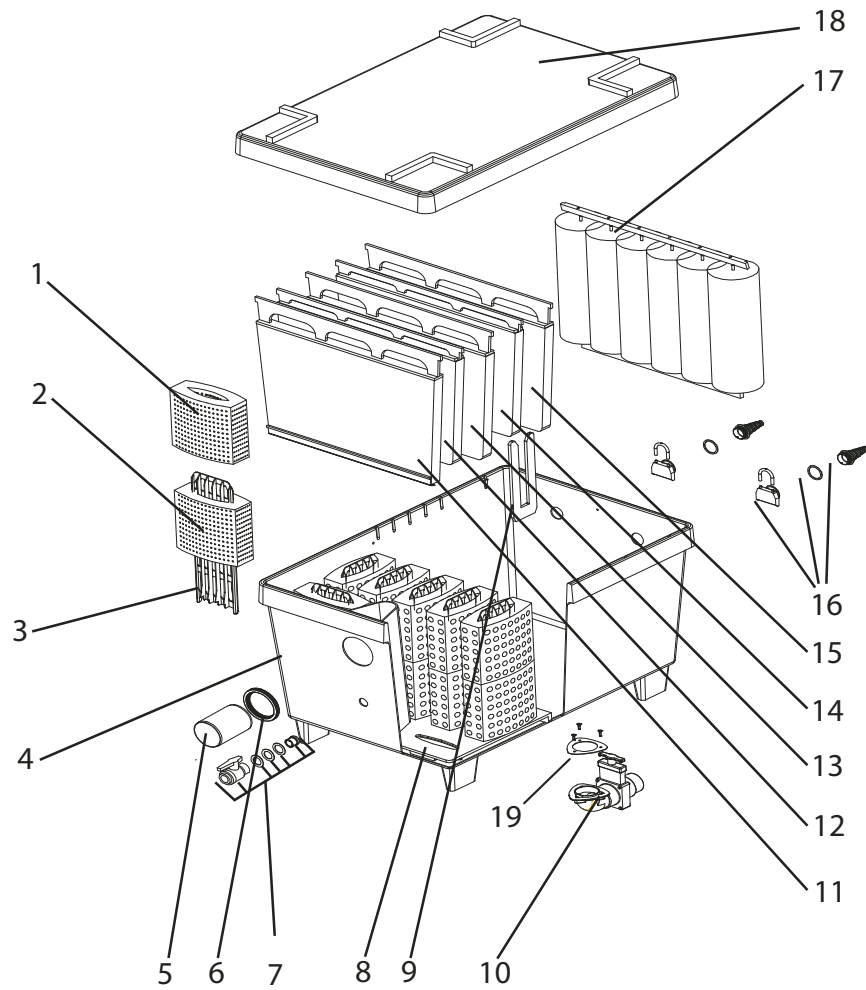


Pos.	Produkt / Product	Artikelnr. / Item no.	Ersatzteil	Spare part
8	FiltoMatic CWS 3000	12703	BG Reinigungsrotor FiltoMatic UVC 11	ASM cleaning rotor FiltoMatic UVC 11
	FiltoMatic CWS 6000	12704	BG Reinigungsrotor FiltoMatic UVC 18	ASM cleaning rotor FiltoMatic UVC 18
	FiltoMatic CWS 7000	12703	BG Reinigungsrotor FiltoMatic UVC 11	ASM cleaning rotor FiltoMatic UVC 11
	FiltoMatic CWS 12000	12705	BG Reinigungsrotor FiltoMatic UVC 24	ASM cleaning rotor FiltoMatic UVC 24
	FiltoMatic CWS 14000	12705	BG Reinigungsrotor FiltoMatic UVC 24	ASM cleaning rotor FiltoMatic UVC 24
	FiltoMatic CWS 25000	12705	BG Reinigungsrotor FiltoMatic UVC 24	ASM cleaning rotor FiltoMatic UVC 24
9	FiltoMatic CWS 3000	12698	BG Wassergehäuse FiltoMatic 3000 / 6000	ASM waterhousing FiltoMatic 3000 / 6000
	FiltoMatic CWS 6000	12698	BG Wassergehäuse FiltoMatic 3000 / 6000	ASM waterhousing FiltoMatic 3000 / 6000
	FiltoMatic CWS 7000	12698	BG Wassergehäuse FiltoMatic 3000 / 6000	ASM waterhousing FiltoMatic 3000 / 6000
	FiltoMatic CWS 12000	12700	BG Wassergehäuse FiltoMatic 12000	ASM waterhousing FiltoMatic 12000
	FiltoMatic CWS 14000	12700	BG Wassergehäuse FiltoMatic 12000	ASM waterhousing FiltoMatic 12000
	FiltoMatic CWS 25000	17908	Ersatzteil Wassergehäuse FiltoMatic25000	Spare part waterhousing FiltoMatic 25000
10	FiltoMatic CWS 3000 – 25000	27891	Linsenschraube CH-V2A DIN 7981 3,5 x 22	Oval head screw CH-V2A DIN 7981 3.5 x 22
11	FiltoMatic CWS 3000	12049	Klemmschraube UVC 7/9/11 W	Clamp screw UVC 7/9/11 W
	FiltoMatic CWS 6000	12054	Klemmschraube FiltoMatic 18 / 24 W	Clamp screw FiltoMatic 18 / 24
	FiltoMatic CWS 7000	12049	Klemmschraube UVC 7/9/11 W	Clamp screw UVC 7/9/11 W
	FiltoMatic CWS 12000	12054	Klemmschraube FiltoMatic 18 / 24 W	Clamp screw FiltoMatic 18 / 24 W
	FiltoMatic CWS 14000	12054	Klemmschraube FiltoMatic 18 / 24 W	Clamp screw FiltoMatic 18 / 24 W
	FiltoMatic CWS 25000	12054	Klemmschraube FiltoMatic 18 / 24 W	Clamp screw FiltoMatic 18 / 24 W
12	FiltoMatic CWS 3000	19475	O-Ring Viton 32 x 4 SH70	O-Ring Viton 32 x 4 SH70
	FiltoMatic CWS 6000	26143	O-Ring Viton 42 x 5 SH50	O-Ring Viton 42 x 5 SH50
	FiltoMatic CWS 7000	19475	O-Ring Viton 32 x 4 SH70	O-Ring Viton 32 x 4 SH70
	FiltoMatic CWS 12000	26143	O-Ring Viton 42 x 5 SH50	O-Ring Viton 42 x 5 SH50
	FiltoMatic CWS 14000	26143	O-Ring Viton 42 x 5 SH50	O-Ring Viton 42 x 5 SH50
	FiltoMatic CWS 25000	26143	O-Ring Viton 42 x 5 SH50	O-Ring Viton 42 x 5 SH50
13	FiltoMatic CWS 3000	13312	Ersatz Quarzglas UVC 7/9/11 W	Spare quartz glass UVC 7/9/11 W
	FiltoMatic CWS 6000	13329	Ersatz Quarzglas UVC 18 Vitronic 18 W	Spare quartz glass UVC 18 Vitronic 18 W
	FiltoMatic CWS 7000	13312	Ersatz Quarzglas UVC 7/9/11 W	Spare quartz glass UVC 7/9/11 W
	FiltoMatic CWS 12000	13332	Ersatz Quarzglas UVC 24 FiltoMatic	Spare quartz glass UVC 24 FiltoMatic
	FiltoMatic CWS 14000	13332	Ersatz Quarzglas UVC 24 FiltoMatic	Spare quartz glass UVC 24 FiltoMatic
	FiltoMatic CWS 25000	13332	Ersatz Quarzglas UVC 24 FiltoMatic	Spare quartz glass UVC 24 FiltoMatic
14	FiltoMatic CWS 3000	56112	Ersatzlampe UVC 11 W	Replacement bulb UVC 11 W
	FiltoMatic CWS 6000	56236	Ersatzlampe UVC 18 W	Replacement bulb UVC 18 W
	FiltoMatic CWS 7000	56112	Ersatzlampe UVC 11 W	Replacement bulb UVC 11 W
	FiltoMatic CWS 12000	56237	Ersatzlampe UVC 24 W	Replacement bulb UVC 24 W
	FiltoMatic CWS 14000	56237	Ersatzlampe UVC 24 W	Replacement bulb UVC 24 W
	FiltoMatic CWS 25000	56237	Ersatzlampe UVC 24 W	Replacement bulb UVC 24 W
15	FiltoMatic CWS 3000 – 25000	14148	BG Schmutzpumpe 84°	ASM slush pump 84°
16	FiltoMatic CWS 3000	12319	BG Schmutzrohr geklebt FiltoMatic 3000	ASM dirt tube glued FiltoMatic 3000
	FiltoMatic CWS 6000	12321	BG Schmutzrohr geklebt FiltoMatic 6000 / 12000	ASM dirt tube glued FiltoMatic 6000 / 12000
	FiltoMatic CWS 7000	12319	BG Schmutzrohr geklebt FiltoMatic 3000	ASM dirt tube glued FiltoMatic 3000
	FiltoMatic CWS 12000	12321	BG Schmutzrohr geklebt FiltoMatic 6000 / 12000	ASM dirt tube glued FiltoMatic 6000 / 12000
	FiltoMatic CWS 14000	12321	BG Schmutzrohr geklebt FiltoMatic 6000 / 12000	ASM dirt tube glued FiltoMatic 6000 / 12000
	FiltoMatic CWS 25000	12321	BG Schmutzrohr geklebt FiltoMatic 6000 / 12000	ASM dirt tube glued FiltoMatic 6000 / 12000
17	FiltoMatic CWS 3000	10857	Innendeckel FiltoMatic 3000 / 6000	Inner cover FiltoMatic 3000 / 6000
	FiltoMatic CWS 6000	10857	Innendeckel FiltoMatic 3000 / 6000	Inner cover FiltoMatic 3000 / 6000
	FiltoMatic CWS 7000	10857	Innendeckel FiltoMatic 3000 / 6000	Inner cover FiltoMatic 3000 / 6000

Pos.	Produkt / Product	Artikelnr. / Item no.	Ersatzteil	Spare part
17	FiltoMatic CWS 12000	10860	Innendeckel FiltoMatic 12000	Inner cover FiltoMatic 12000
	FiltoMatic CWS 14000	10857	Innendeckel FiltoMatic 3000 / 6000	Inner cover FiltoMatic 3000 / 6000
	FiltoMatic CWS 25000	10860	Innendeckel FiltoMatic 12000	Inner cover FiltoMatic 12000
18	FiltoMatic CWS 3000	50901	Filterpatronenset FiltoMatic CWS 7000	Filtercartridge Set FiltoMatic CWS 7000
	FiltoMatic CWS 6000	50904	Filterpatronenset FiltoMatic CWS 14000 / 25000	Filtercartridge set FiltoMatic CWS 14000 / 25000
	FiltoMatic CWS 7000	50901	Filterpatronenset FiltoMatic CWS 7000	Filtercartridge Set FiltoMatic CWS 7000
	FiltoMatic CWS 12000	2 x 50904	Filterpatronenset FiltoMatic CWS 14000 / 25000	Filtercartridge set FiltoMatic CWS 14000 / 25000
	FiltoMatic CWS 14000	50904	Filterpatronenset FiltoMatic CWS 14000 / 25000	Filtercartridge set FiltoMatic CWS 14000 / 25000
	FiltoMatic CWS 25000	2 x 50904	Filterpatronenset FiltoMatic CWS 14000 / 25000	Filtercartridge set FiltoMatic CWS 14000 / 25000
	FiltoMatic CWS 3000	3 x 11050	Schaumhalter FiltoMatic 3000	Foam holder FiltoMatic 3000
19	FiltoMatic CWS 6000	3 x 11052	Schaumhalter FiltoMatic 6000 / 12000	Foam holder FiltoMatic 6000 / 12000
	FiltoMatic CWS 7000	3 x 11050	Schaumhalter FiltoMatic 3000	Foam holder FiltoMatic 3000
	FiltoMatic CWS 12000	6 x 11052	Schaumhalter FiltoMatic 6000 / 12000	Foam holder FiltoMatic 6000 / 12000
	FiltoMatic CWS 14000	3 x 11052	Schaumhalter FiltoMatic 6000 / 12000	Foam holder FiltoMatic 6000 / 12000
	FiltoMatic CWS 25000	6 x 11052	Schaumhalter FiltoMatic 6000 / 12000	Foam holder FiltoMatic 6000 / 12000
	FiltoMatic CWS 3000	11425	BG Lamelle 3000	ASM Lamella 3000
20	FiltoMatic CWS 6000	11434	BG Lamelle 6000	ASM Lamella 6000
	FiltoMatic CWS 7000	11425	BG Lamelle 3000	ASM Lamella 3000
	FiltoMatic CWS 12000	12029	BG Lamelle 12000	ASM Lamella 12000
	FiltoMatic CWS 14000	17684	BG Lamelle 14000 / 25000	ASM lamella 14000 / 25000
	FiltoMatic CWS 25000	17684	BG Lamelle 14000 / 25000	ASM lamella 14000 / 25000
	FiltoMatic CWS 3000	11380	Pyramidenoberteil 3000 / 6000	Pyramide top 3000/6000
21	FiltoMatic CWS 6000	11380	Pyramidenoberteil 3000 / 6000	Pyramide top 3000/6000
	FiltoMatic CWS 7000	11380	Pyramidenoberteil 3000 / 6000	Pyramide top 3000/6000
	FiltoMatic CWS 12000	12086	Pyramidenoberteil 12000	Pyramide upper part 12000
	FiltoMatic CWS 14000	11380	Pyramidenoberteil 3000 / 6000	Pyramide top 3000/6000
	FiltoMatic CWS 25000	12086	Pyramidenoberteil 12000	Pyramide upper part 12000
	FiltoMatic CWS 3000 – 25000	12114	Pyramidenanschluss	Pyramide connection
22	FiltoMatic CWS 3000	3 x 25000	Linsenschraube CH-V2A DIN 7981 4,8 x 22	Oval head screw CH-V2A DIN 7981 4.8 x 22
	FiltoMatic CWS 6000	3 x 25000	Linsenschraube CH-V2A DIN 7981 4,8 x 22	Oval head screw CH-V2A DIN 7981 4.8 x 22
	FiltoMatic CWS 7000	3 x 25000	Linsenschraube CH-V2A DIN 7981 4,8 x 22	Oval head screw CH-V2A DIN 7981 4.8 x 22
	FiltoMatic CWS 12000	5 x 25000	Linsenschraube CH-V2A DIN 7981 4,8 x 22	Oval head screw CH-V2A DIN 7981 4.8 x 22
	FiltoMatic CWS 14000	3 x 25000	Linsenschraube CH-V2A DIN 7981 4,8 x 22	Oval head screw CH-V2A DIN 7981 4.8 x 22
	FiltoMatic CWS 25000	5 x 25000	Linsenschraube CH-V2A DIN 7981 4,8 x 22	Oval head screw CH-V2A DIN 7981 4.8 x 22
23	FiltoMatic CWS 3000	12003	BG Behälter FiltoMatic 3000	ASM filter box FiltoMatic 3000
	FiltoMatic CWS 6000	12051	BG Behälter FiltoMatic 6000	ASM filter box FiltoMatic 6000
	FiltoMatic CWS 7000	12003	BG Behälter FiltoMatic 3000	ASM filter box FiltoMatic 3000
	FiltoMatic CWS 12000	12401	BG Behälter FiltoMatic 12000	ASM filter box FiltoMatic 12000
	FiltoMatic CWS 14000	12051	BG Behälter FiltoMatic 6000	ASM filter box FiltoMatic 6000
	FiltoMatic CWS 25000	12401	BG Behälter FiltoMatic 12000	ASM filter box FiltoMatic 12000
24	FiltoMatic CWS 3000 – 25000	11041	Rasthaken Innendeckel FiltoMatic	Holder inner cover FiltoMatic
25	FiltoMatic CWS 3000	11383	BG FiltoMatic UVC 11	ASM FiltoMatic UVC 11
	FiltoMatic CWS 6000	11390	BG FiltoMatic UVC 18	ASM FiltoMatic UVC 18
	FiltoMatic CWS 7000	11383	BG FiltoMatic UVC 11	ASM FiltoMatic UVC 11
	FiltoMatic CWS 12000	11391	BG FiltoMatic UVC 24	ASM FiltoMatic UVC 24
	FiltoMatic CWS 14000	11391	BG FiltoMatic UVC 24	ASM FiltoMatic UVC 24
	FiltoMatic CWS 25000	17685	BG FiltoMatic UVC 24 mit Reflektor	ASM FiltoMatic UVC 24 with reflector
26	FiltoMatic CWS 3000 – 25000	14150	BG Steuerung FiltoMatic 2E	ASM controller FiltoMatic 2E

Produkt / Product

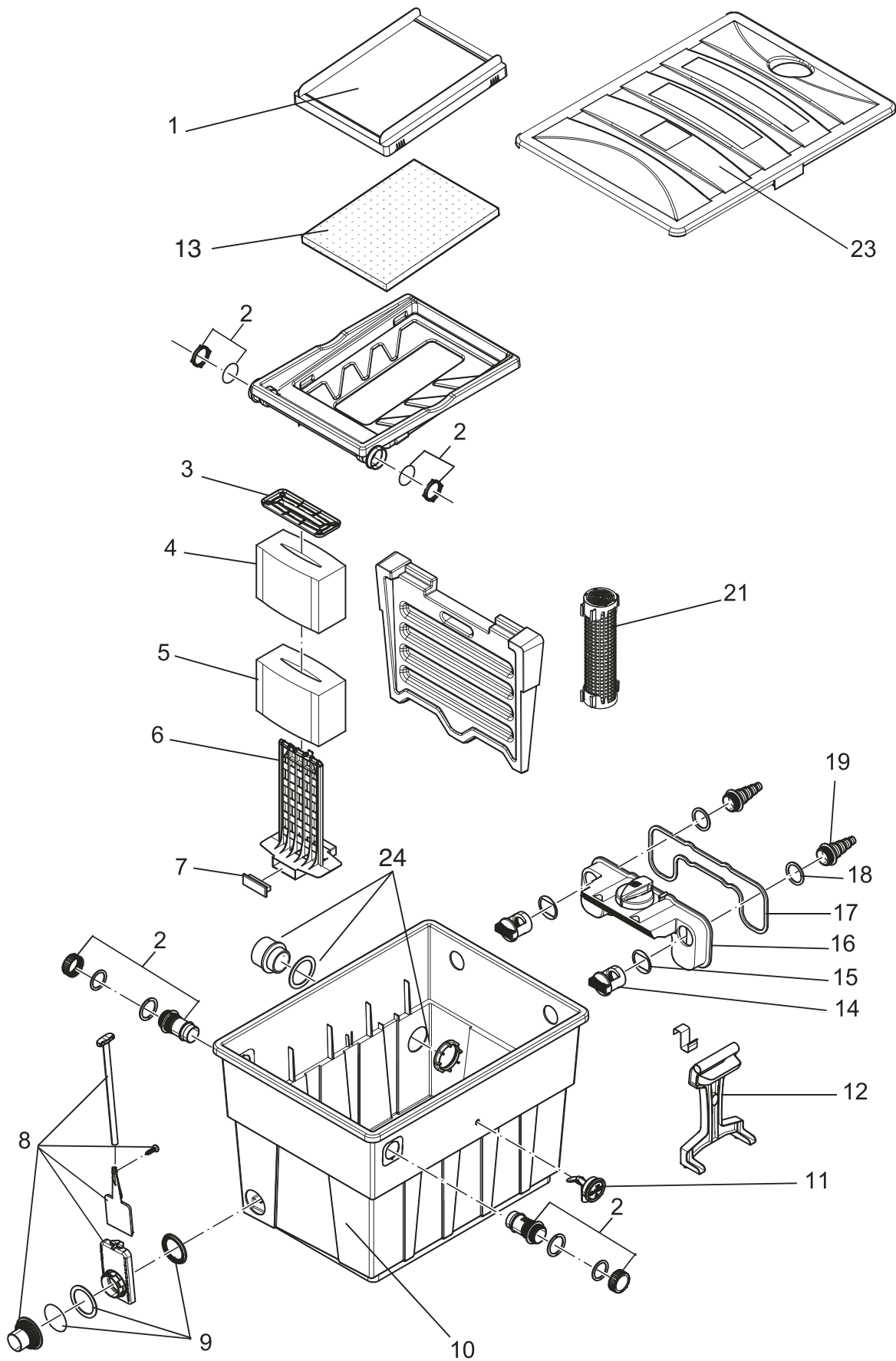
55421 BioTec 30



Pos.	Produkt / Product	Artikelnr. / Item no.	Ersatzteil	Spare part
1	BioTec 30	10 x 54031	Ersatzschwamm blau BioTec 5 / 10 / 30	Replacement foam blue BioTec 5 / 10 / 30
2	BioTec 30	4 x 54030	Ersatzschwamm rot BioTec 5 / 10 / 30	Replacement foam red BioTec 5 / 10 / 30
3	BioTec 30	7 x 34081	Schaumaufnahme BioTec 30	Foam holder BioTec 30
4	BioTec 30	24305	Behälter BioTec 30	Filter box BioTec 30
5	BioTec 30	23852	Auslaufrohr DN 100 BioTec 30	Drainage pipe DN 100 BioTec 30
6	BioTec 30	34285	Dichtung 100 BioTec 30 / 36	Gasket 100 BioTec 30 / 36
7	BioTec 30	10297	BG BioTec-Abflussgarnitur	ASM BioTec-valve, drain 1"
8	BioTec 30	23863	Zwischenboden BioTec 30	Intermediate base BioTec 30
9	BioTec 30	24406	Abstandhalter BioTec 30	Distance piece BioTec 30
10	BioTec 30	24972	Ablaufeinheit BioTec 30	Drain outlet BioTec 30
11	BioTec 30	25097	Filtermatte mit Dichtlippe BioTec 30	Filter mat with sealing BioTec 30
12	BioTec 30	24312	Filtermatte grün hoch BioTec 30	Filter mat high BioTec 30 green
13	BioTec 30	24311	Filtermatte grün tief BioTec 30	Filter mat low BioTec 30 green
14	BioTec 30	24315	Filtermatte schwarz hoch BioTec 30	Filter mat high BioTec 30 black
15	BioTec 30	24314	Filtermatte schwarz tief BioTec 30	Filter mat low BioTec 30 black
16	BioTec 30	23862	Beipack Zulaufset BioTec 30	Additional pack inlet set BioTec 30
17	BioTec 30	23854	Bürstenrahmen mit 6 Bürsten BioTec 30	Frame with 6 brushes BioTec 30
18	BioTec 30	23855	Deckel BioTec 30	Cover BioTec 30
19	BioTec 30	34284	Beipack Bodenablaufset BioTec 30	Additional pack bottom drain BioTec 30

Produkt / Product

56580 BioTec 12

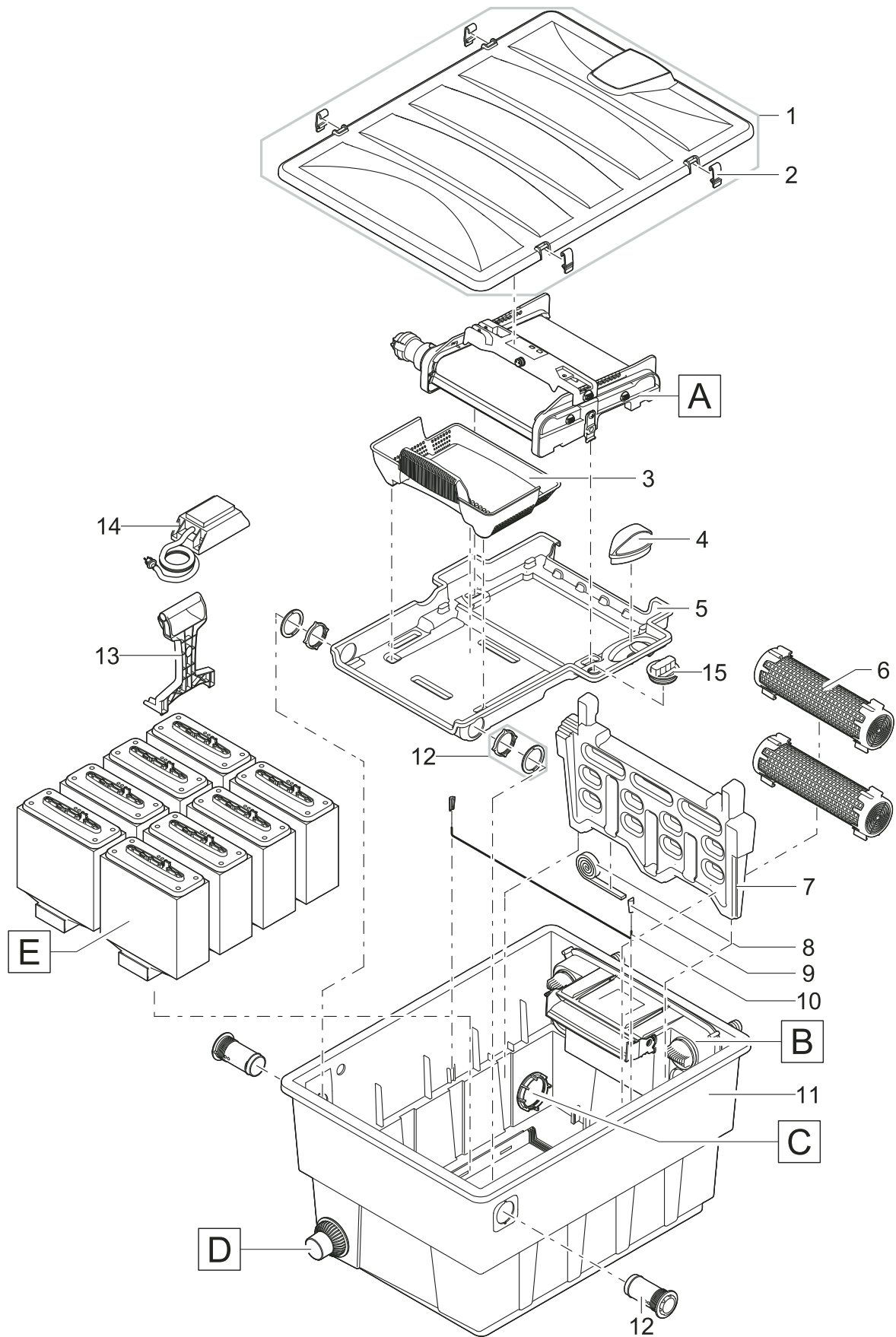


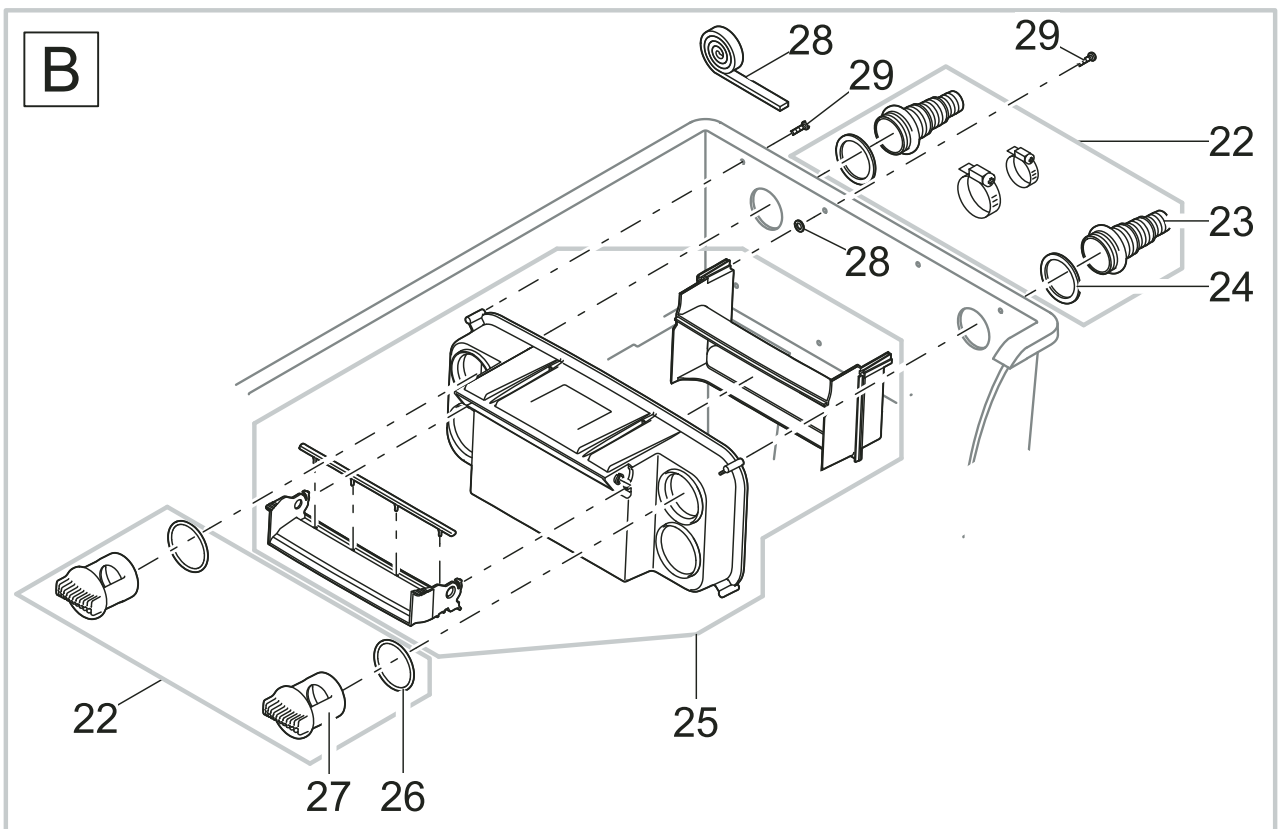
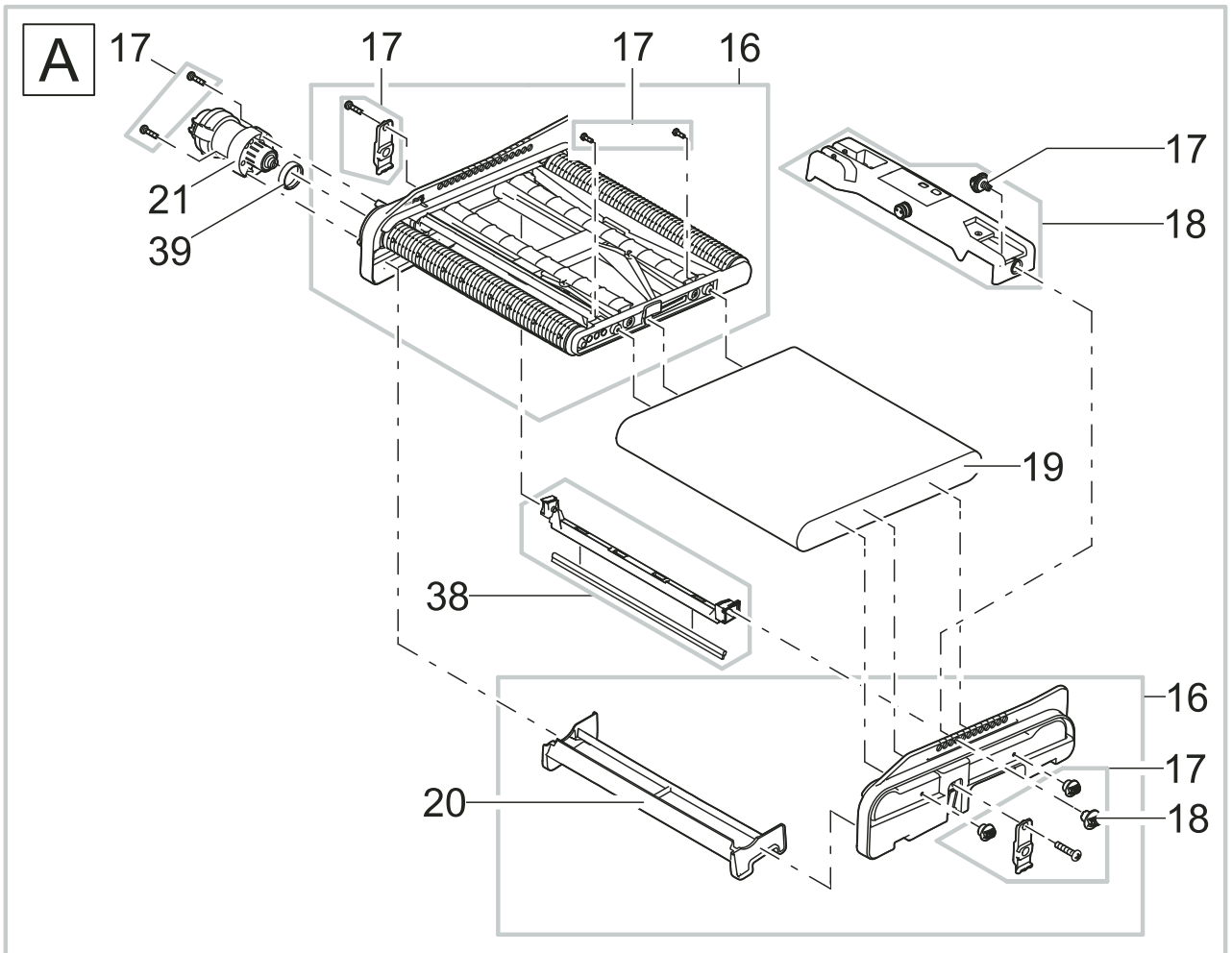
Pos.	Produkt / Product	Artikelnr. / Item no.	Ersatzteil	Spare part
1	BioTec 12	56906	Screenex 800	Screenex 800
2	BioTec 12	34858	Ersatz Siebhalterbefestigungsset BioTec 18	Screenex retaining nut set BioTec 18
3	BioTec 12	34670	Schaumabdeckplatte BioTec	Foam pad cover BioTec
4	BioTec 12	42895	Ersatzschwammset blau BioTec 40000	Replacement set foam blue BioTec 40000
5	BioTec 12	42893	Ersatzschw. Set rot / violett BioTec 40000	Repl. set foam red / purple BioTec 40000
6	BioTec 12	8 x 26305	Schaumhalter BioTec 12	Foam holder BioTec 12
7	BioTec 12	25524	Stopfen Schaumhalter BioTec 12 / 18 / 36	Foam holder locking clip BioTec 12 / 18 / 36
8	BioTec 12	34860	Ersatz Ablaufset BioTec 12 / 18	Spare drain assembly BioTec 12 / 18
9	BioTec 12	34859	Dichtungsset Ablauf BioTec 12 – 18 / M1 – M5	Gasket set outlet BioTec 12 – 18 / M1 – M5
10	BioTec 12	15428	Behälter BioTec 12 gestanz	Filter box BioTec 12 pierced
11	BioTec 12	34842	BG Wasserstandsmelder BioTec 18 / 36	ASM water level controler BioTec 18 / 36
12	BioTec 12	34734	Reiniger BioTec	Cleaner BioTec
13	BioTec 12	25515	Rieselplatte BioTec 12 / 18 / 36	Black coarse drip pad BioTec 12 / 18 / 36
14	BioTec 12	34698	Durchlassschraube BioTec	Inlet locking nut BioTec
15	BioTec 12	25691	O-Ring NBR 54 x 4 SH40	O-Ring NBR 54 x 4 SH40
16	BioTec 12	34844	BG Verteiler BioTec 12 – 18	ASM distributor BioTec 12 – 18
17	BioTec 12	25696	Moosgummid. 6 x 6 / Verteiler BioTec 18 / 36	Foamed rubber gasket 6 x 6 BioTec 18 / 36
18	BioTec 12	19506	Flachdichtung NBR 60 x 47 x 3 SH40	Flat gasket NBR 60 x 47 x 3 SH40
19	BioTec 12	19512	Stufenschlauchtülle BioTec geschlossen	Stepped hose tail BioTec closed
21	BioTec 12	4 x 26304	Substratrohr kpl. BioTec 12	Substrate pipe cpl. BioTec 12
23	BioTec 12	25352	Filterdeckel BioTec 12 / 18	Filter cover BioTec 12 / 18
24	BioTec 12	34861	Ersatz Auslauf Set BioTec 12 – 18	Spare drainage set BioTec 12 – 18

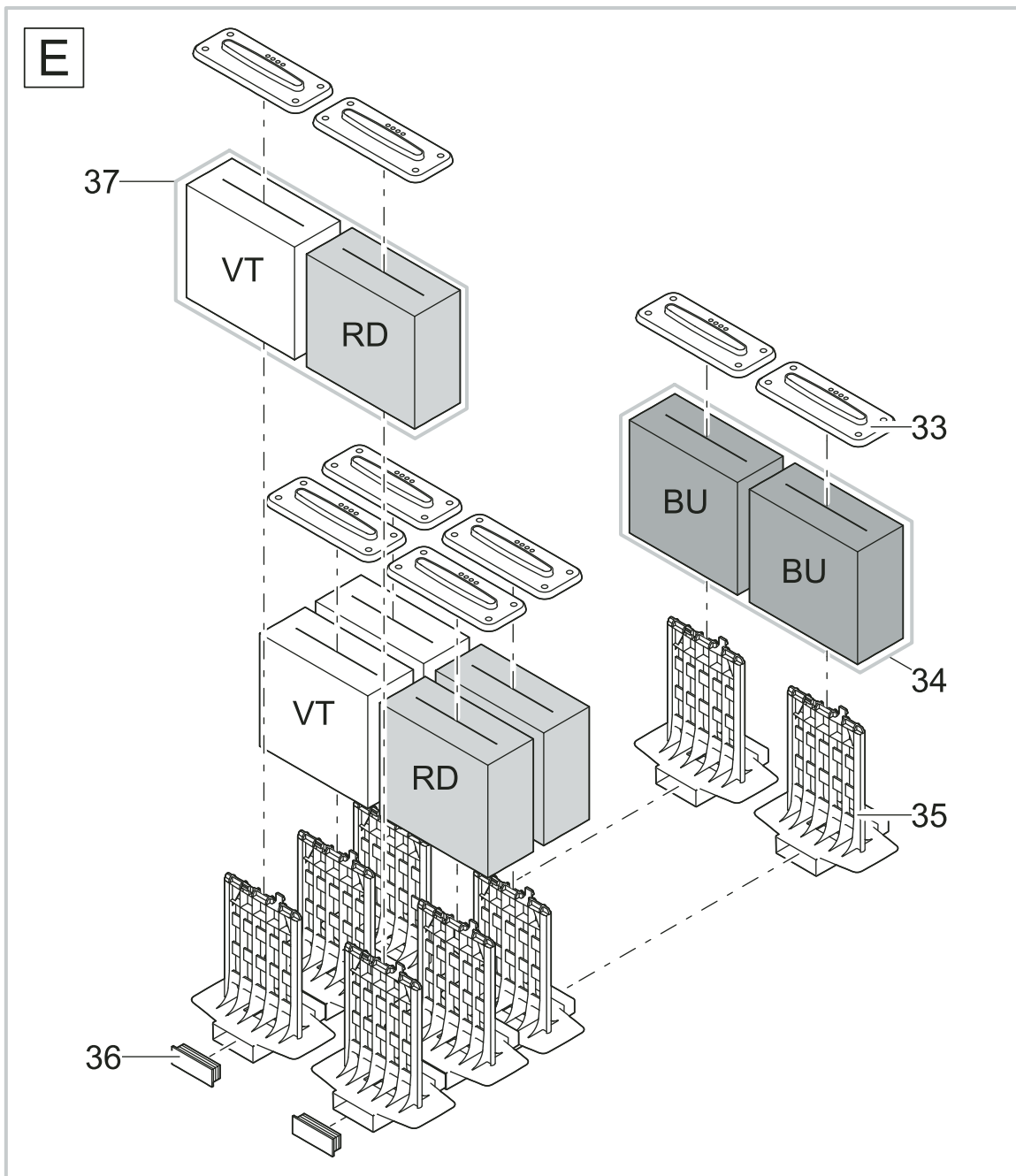
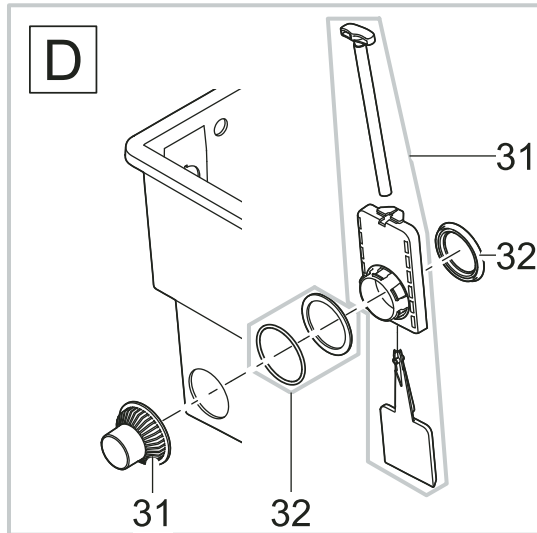
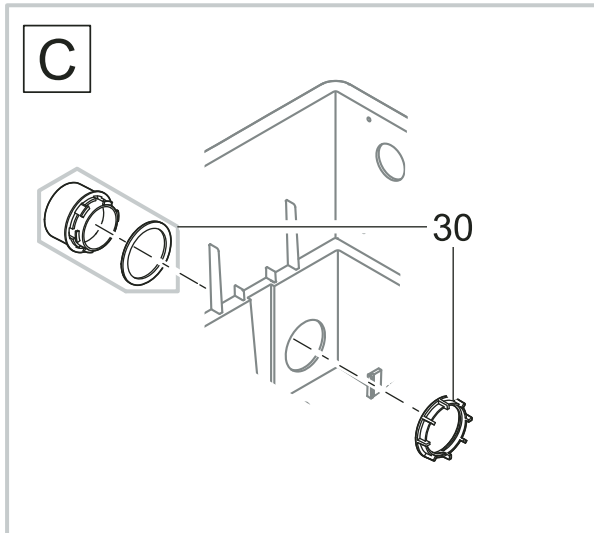
Produkt / Product

57694 BioTec ScreenMatic<sup>2</sup> 40000

57695 BioTec ScreenMatic<sup>2</sup> 60000









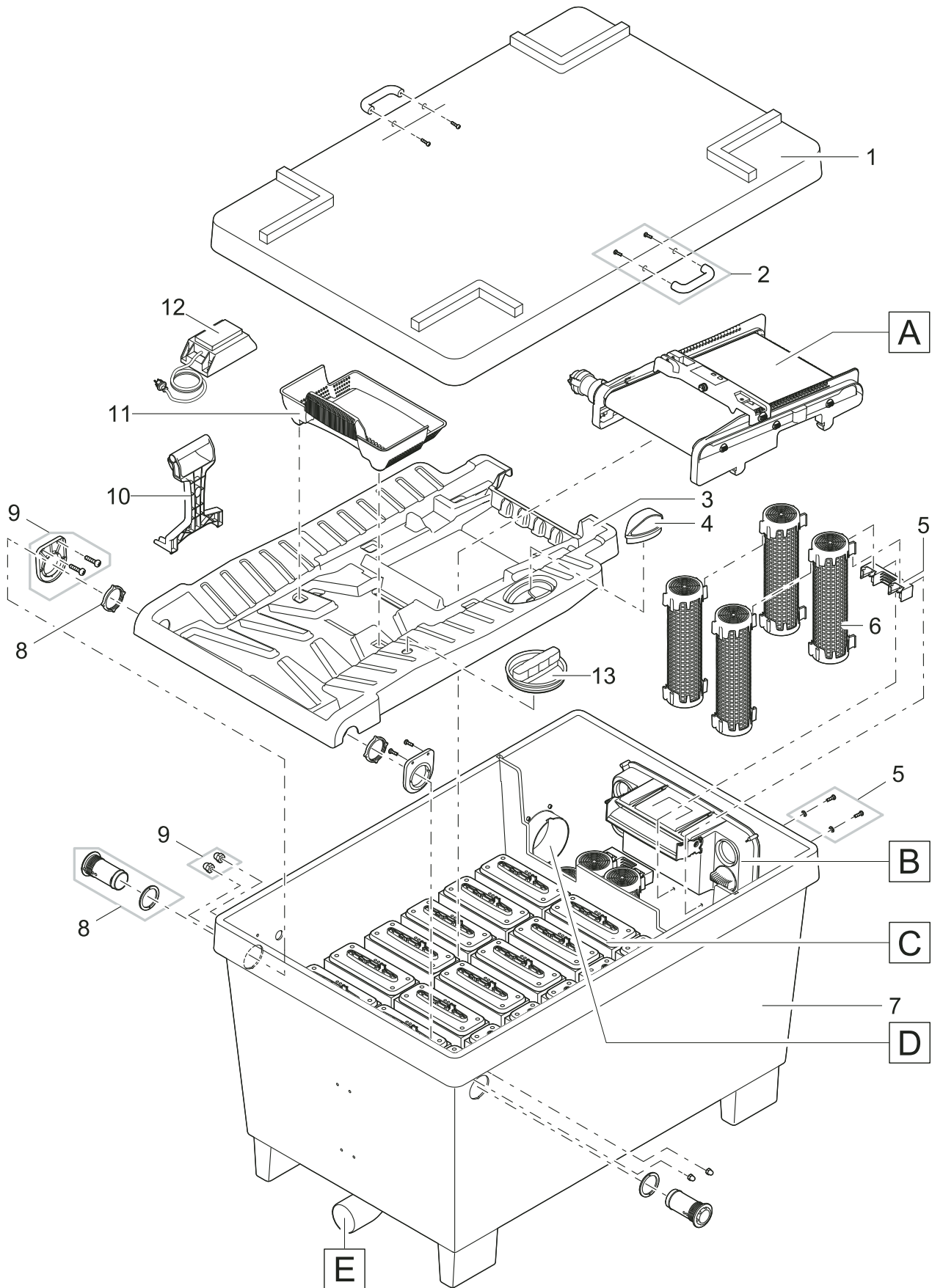
Pos.	Produkt / Product	Artikelnr. / Item no.	Ersatzteil	Spare part
1	BioTec ScreenMatic <sup>2</sup> 40000 – 60000	45320	Ersatz BG Filterdeckel inkl. Designblende	Spare ASM filter lid incl. design plate
2	BioTec ScreenMatic <sup>2</sup> 40000 – 60000	30983	Clip Bitron Eco / AquaMax	Clip Bitron Eco / AquaMax
3	BioTec ScreenMatic <sup>2</sup> 40000 – 60000	42346	Schmutzkorb BioTec ScreenMatic	Mud basket BioTec ScreenMatic
4	BioTec ScreenMatic <sup>2</sup> 40000 – 60000	42449	Bürste BioTec ScreenMatic	Brush BioTec ScreenMatic
5	BioTec ScreenMatic <sup>2</sup> 40000 – 60000	42344	Siebhalter BioTec ScreenMatic 40000 / 60000	Screen holder BioTec ScreenMatic 40000 / 60000
6	BioTec ScreenMatic <sup>2</sup> 40000 – 60000	25507	Substratrohr kpl. BioTec 18 / 36	Substrate pipe cpl. BioTec 18 / 36
7	BioTec ScreenMatic <sup>2</sup> 40000	42340	Zwischenwand BioTec ScreenMatic 40000	Partition wall BioTec ScreenMatic 40000
	BioTec ScreenMatic <sup>2</sup> 60000	42341	Zwischenwand BioTec ScreenMatic 60000	Partition wall BioTec ScreenMatic 60000
8	BioTec ScreenMatic <sup>2</sup> 40000 – 60000	25550	Dichtung 4 x 10 Zwischenwand BioTec 18	Gasket 4 x 10 partition BioTec 18
9	BioTec ScreenMatic <sup>2</sup> 40000 – 60000	34830	Zugstangenstopfen	Pull rod plug
10	BioTec ScreenMatic <sup>2</sup> 40000 – 60000	25624	Zugstange BioTec 18	Pull rod BioTec 18
11	BioTec ScreenMatic <sup>2</sup> 40000	43105	Behälter BioTec ScreenMatic 40000 gestanzt	Filter box BioTec ScreenMatic 40000 pierced
	BioTec ScreenMatic <sup>2</sup> 60000	43106	Behälter BioTec ScreenMatic 60000 gestanzt	Filter box BioTec ScreenMatic 60000 pierced
12	BioTec ScreenMatic <sup>2</sup> 40000 – 60000	44181	Ersatz Siebhalterbefestigung 2015	Spare screen holder fixation 2015
13	BioTec ScreenMatic <sup>2</sup> 40000 – 60000	34734	Reiniger BioTec	Cleaner BioTec
14	BioTec ScreenMatic <sup>2</sup> 40000 – 60000	15118	Trafo 6 VA 2 m H05RN-F 2 x 0,75 mm <sup>2</sup>	Transformer 6 VA 2m H05RN-F 2 x 0.75 mm <sup>2</sup>
15	BioTec ScreenMatic <sup>2</sup> 40000 – 60000	44343	Stopfen BioTec 40000 / 60000	Plug BioTec ScreenMatic 40000 / 60000
16	BioTec ScreenMatic <sup>2</sup> 40000 – 60000	42383	BG BioTec ScreenMatic 40 / 60 / 90000	ASM BioTec ScreenMatic 40 / 60 / 90000
17	BioTec ScreenMatic <sup>2</sup> 40000 – 60000	44178	Ersatz Kleinteile BioTec ScreenMatic 2015	Spare small parts BioTec ScreenMatic 2015
18	BioTec ScreenMatic <sup>2</sup> 40000 – 60000	44184	Ersatz Steuerung ScreenMatic 40 / 60 / 90000	Spare ASM controller ScreenMatic 40 / 60 / 90000
19	BioTec ScreenMatic <sup>2</sup> 40000 – 60000	42325	Bandgewebe BioTec ScreenMatic 40000 / 60000	Woven fabric BioTec ScreenMatic 40000 / 60000
20	BioTec ScreenMatic <sup>2</sup> 40000 – 60000	44177	BG Abstreifer m. Bürste ScreenMatic 2015	ASM scraper with brush ScreenMatic 2015
21	BioTec ScreenMatic <sup>2</sup> 40000 – 60000	44183	Ersatz Antriebseinheit ScreenMatic <sup>2</sup>	Spare traction unit BioTec ScreenMatic <sup>2</sup>
22	BioTec ScreenMatic <sup>2</sup> 40000 – 60000	42954	Beipack ScreenMatic <sup>2</sup>	Add. pack ScreenMatic <sup>2</sup>
23	BioTec ScreenMatic <sup>2</sup> 40000 – 60000	19512	Stufenschlauchtülle BioTec geschlossen	Stepped hose tail BioTec closed
24	BioTec ScreenMatic <sup>2</sup> 40000 – 60000	19506	Flachdichtung NBR 60 x 47 x 3 SH40	Flat gasket NBR 60 x 47 x 3 SH40
25	BioTec ScreenMatic <sup>2</sup> 40000 – 60000	44337	BG Verteiler ScreenMatic 40000 / 60000	ASM distributor ScreenMatic 40000 / 60000
26	BioTec ScreenMatic <sup>2</sup> 40000 – 60000	25691	O-Ring NBR 54 x 4 SH40	O-Ring NBR 54 x 4 SH40
27	BioTec ScreenMatic <sup>2</sup> 40000 – 60000	42949	Durchlassschraube BioTec ScreenMatic	Inlet locking nut BioTec ScreenMatic
28	BioTec ScreenMatic <sup>2</sup> 40000 – 60000	44179	Ersatz Abdichtung Verteiler	Spare gasket seal distributor
29	BioTec ScreenMatic <sup>2</sup> 40000 – 60000	25000	Linsenschraube CH-V2A DIN 7981 4,8 x 22	Oval head screw CH-V2A DIN 7981 4.8 x 22
30	BioTec ScreenMatic <sup>2</sup> 40000 – 60000	45321	Ersatz BG Auslauf Set BioTec 40000 / 60000	Spare ASM drainage set BioTec 40000 / 60000
31	BioTec ScreenMatic <sup>2</sup> 40000 – 60000	44182	Ersatz Ablaufset BioTec 40000 / 60000	Spare drain ASM BioTec 40000 / 60000
32	BioTec ScreenMatic <sup>2</sup> 40000 – 60000	34859	Dichtungsset Ablauf BioTec 12 – 18 / M1 – M5	Gasket set outlet BioTec 12 – 18 / M1 – M5
33	BioTec ScreenMatic <sup>2</sup> 40000 – 60000	34670	Schaumabdeckplatte BioTec	Foam pad cover BioTec
34	BioTec ScreenMatic <sup>2</sup> 40000	42895	Ersatzschwammset blau BioTec 40000	Replacement set foam blue BioTec 40000
	BioTec ScreenMatic <sup>2</sup> 60000	42896	Ersatzschwammset blau BioTec 60 / 140	Replacement set foam blue BioTec 60 / 140
35	BioTec ScreenMatic <sup>2</sup> 40000	26305	Schaumhalter BioTec 12	Foam holder BioTec 12
	BioTec ScreenMatic <sup>2</sup> 60000	34733	Schaumhalter BioTec 18 / 36	Foam holder BioTec 18 / 36
36	BioTec ScreenMatic <sup>2</sup> 40000 – 60000	25524	Stopfen Schaumhalter BioTec 12 / 18 / 36	Foam holder locking clip BioTec 12 / 18 / 36
37	BioTec ScreenMatic <sup>2</sup> 40000	42893	Ersatzschw. Set rot / violett BioTec 40000	Repl. set foam red/purple BioTec 40000
	BioTec ScreenMatic <sup>2</sup> 60000	42894	Ersatzschw. Set rot / violett BioTec 60 / 140	Repl. set foam red/purple BioTec 60 / 140
38	BioTec ScreenMatic <sup>2</sup> 40000 – 60000	44308	BG Bürstenhalter ScreenMatic	ASM brush holder ScreenMatic
39	BioTec ScreenMatic <sup>2</sup> 40000 – 60000	42450	Schmutzfangkappe	Mud flap cap

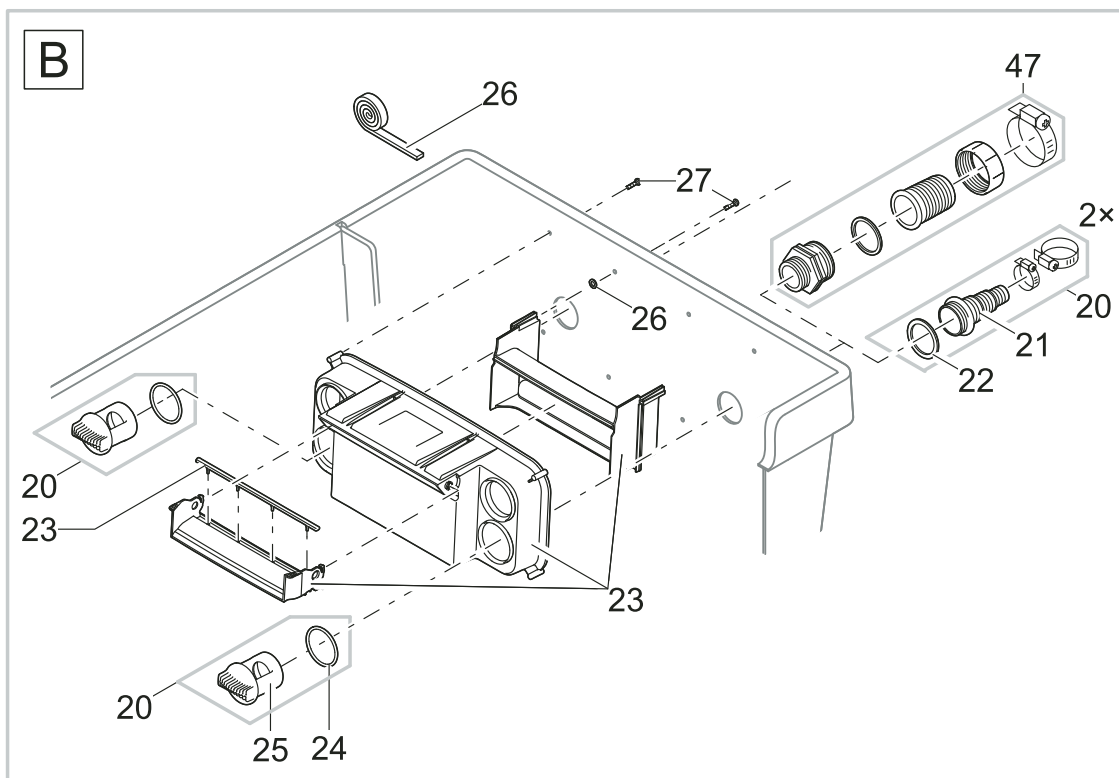
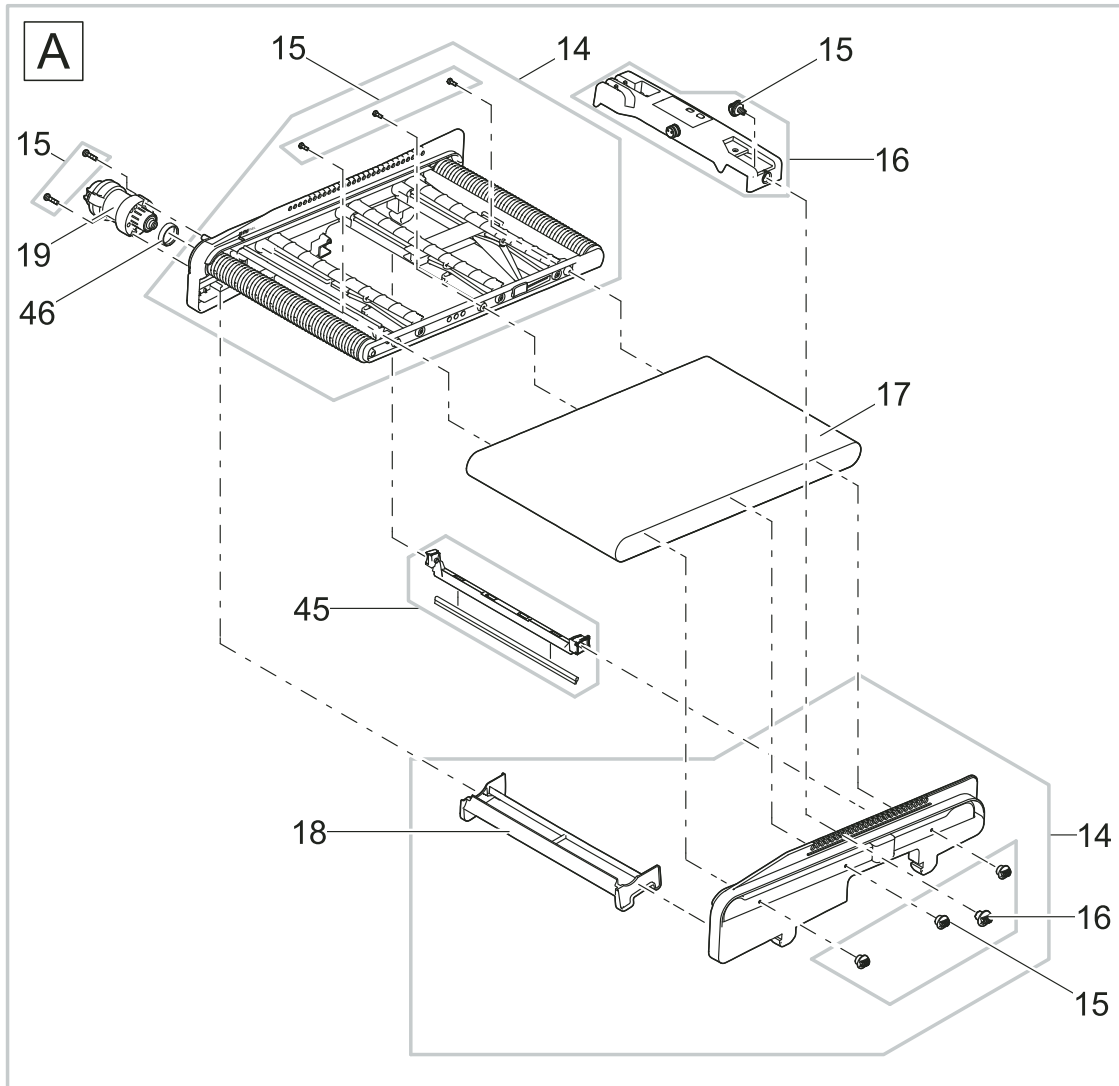
Produkt / Product

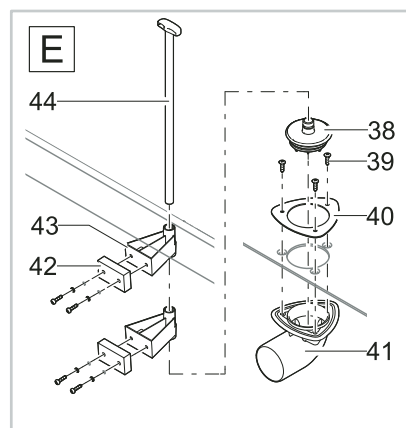
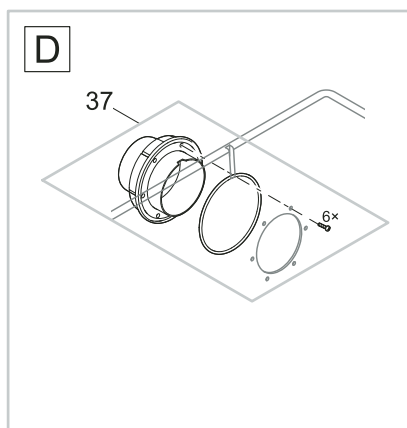
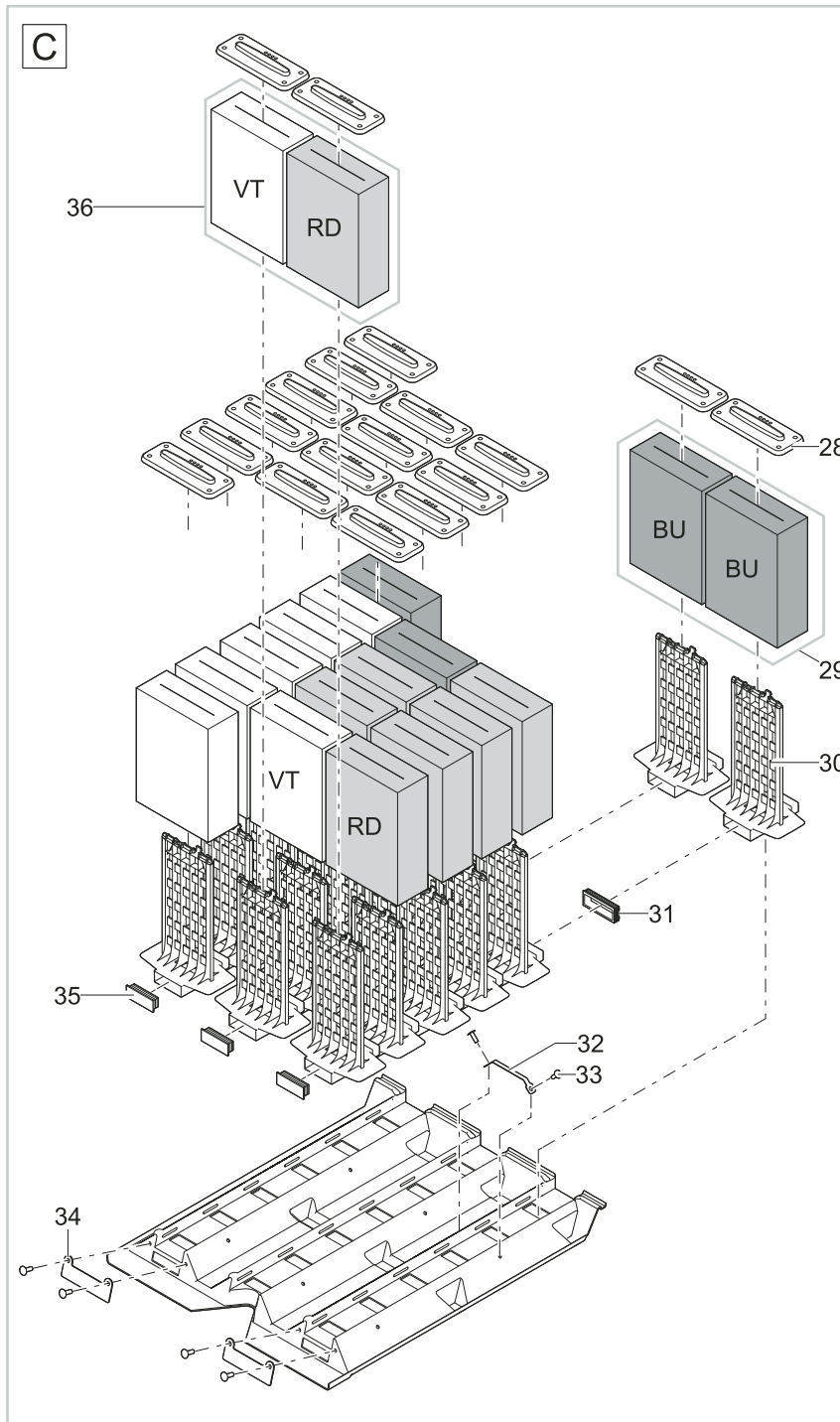
57696 BioTec ScreenMatic<sup>2</sup> 140000

FILTER, UVC & BELÜFTUNG / FILTERS, UVC & AERATORS

DURCHLAUFILTER / FLOW-THROUGH FILTERS





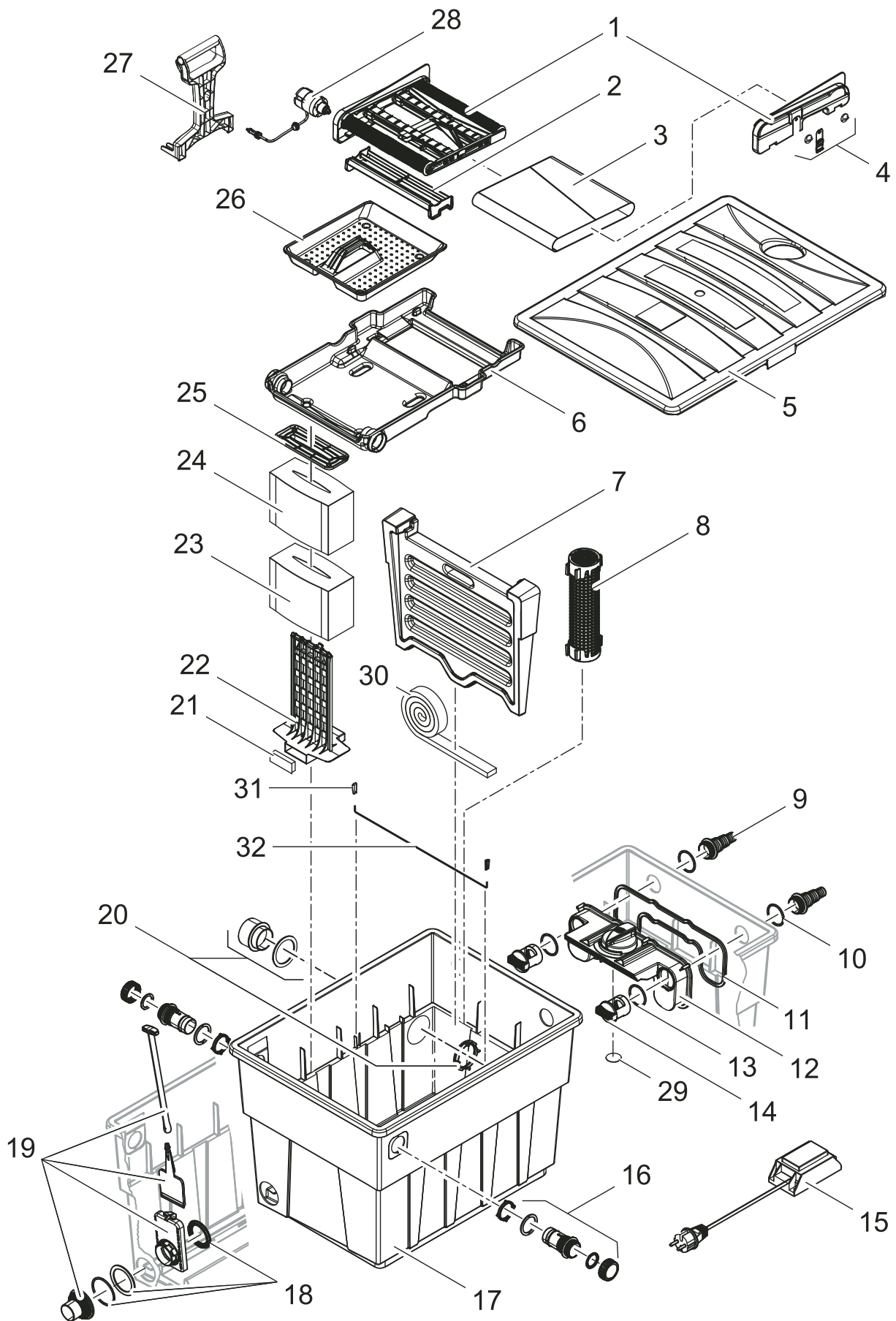


Pos.	Produkt / Product	Artikelnr. / Item no.	Ersatzteil	Spare part
1	BioTec ScreenMatic <sup>2</sup> 140000	25544	Deckel BioTec 36	Cover BioTec 36
2	BioTec ScreenMatic <sup>2</sup> 140000	34868	BG Griff BioTec 36	ASM handle BioTec 36
3	BioTec ScreenMatic <sup>2</sup> 140000	42345	Siebhälter BioTec ScreenMatic 140000	Screen holder BioTec ScreenMatic 140000
4	BioTec ScreenMatic <sup>2</sup> 140000	42449	Bürste BioTec ScreenMatic	Brush BioTec ScreenMatic
5	BioTec ScreenMatic <sup>2</sup> 140000	34864	Ersatz Klammer BioTec 36	Spare clip BioTec 36
6	BioTec ScreenMatic <sup>2</sup> 140000	25507	Substratrohr kpl. BioTec 18 / 36	Substrate pipe cpl. BioTec 18 / 36
7	BioTec ScreenMatic <sup>2</sup> 140000	43686	Ersatz Behälter BioTec ScreenMatic <sup>2</sup> 140000	Spare case BioTec ScreenMatic <sup>2</sup> 140000
8	BioTec ScreenMatic <sup>2</sup> 140000	44181	Ersatz Siebhälterbefestigung 2015	Spare screen holder fixation 2015
9	BioTec ScreenMatic <sup>2</sup> 140000	44336	Ersatz BG Keilscheibe	Spare wedge plate
10	BioTec ScreenMatic <sup>2</sup> 140000	34734	Reiniger BioTec	Cleaner BioTec
11	BioTec ScreenMatic <sup>2</sup> 140000	42346	Schmutzkorb BioTec ScreenMatic	Mud basket BioTec ScreenMatic
12	BioTec ScreenMatic <sup>2</sup> 140000	15118	Trafo 6 VA 2 m H05RN-F 2 x 0,75mm <sup>2</sup>	Transformer 6 VA 2m H05RN-F 2 x 0.75 mm <sup>2</sup>
13	BioTec ScreenMatic <sup>2</sup> 140000	44173	Stopfen BioTec 140000	Plug BioTec ScreenMatic 140000
14	BioTec ScreenMatic <sup>2</sup> 140000	42384	BG BioTec ScreenMatic 140000	ASM BioTec ScreenMatic 140000
15	BioTec ScreenMatic <sup>2</sup> 140000	44178	Ersatz Kleinteile BioTec ScreenMatic 2015	Spare small parts BioTec ScreenMatic 2015
16	BioTec ScreenMatic <sup>2</sup> 140000	44186	Ersatz Steuerung ScreenMatic 140000	Spare ASM controller ScreenMatic 140000
17	BioTec ScreenMatic <sup>2</sup> 140000	42326	Bandgewebe BioTec ScreenMatic 140000	Woven fabric BioTec ScreenMatic 140000
18	BioTec ScreenMatic <sup>2</sup> 140000	44177	BG Abstreifer m. Bürste ScreenMatic 2015	ASM scraper with brush ScreenMatic 2015
19	BioTec ScreenMatic <sup>2</sup> 140000	44183	Ersatz Antriebseinheit ScreenMatic <sup>2</sup>	Spare traction unit BioTec ScreenMatic <sup>2</sup>
20	BioTec ScreenMatic <sup>2</sup> 140000	42954	Beipack ScreenMatic <sup>2</sup>	Add. pack ScreenMatic <sup>2</sup>
21	BioTec ScreenMatic <sup>2</sup> 140000	19512	Stufenschlauchtülle BioTec geschlossen	Stepped hose tail BioTec closed
22	BioTec ScreenMatic <sup>2</sup> 140000	19506	Flachdichtung NBR 60 x 47 x 3 SH40	Flat gasket NBR 60 x 47 x 3 SH40
23	BioTec ScreenMatic <sup>2</sup> 140000	44338	BG Verteiler ScreenMatic 140000	ASM distributor ScreenMatic 140000
24	BioTec ScreenMatic <sup>2</sup> 140000	25691	O-Ring NBR 54 x 4 SH40	O-Ring NBR 54 x 4 SH40
25	BioTec ScreenMatic <sup>2</sup> 140000	42949	Durchlassschraube BioTec ScreenMatic	Inlet locking nut BioTec ScreenMatic
26	BioTec ScreenMatic <sup>2</sup> 140000	44179	Ersatz Abdichtung Verteiler	Spare gasket seal distributor
27	BioTec ScreenMatic <sup>2</sup> 140000	25000	Linsenschraube CH-V2A DIN 7981 4,8 x 22	Oval head screw CH-V2A DIN 7981 4.8 x 22
28	BioTec ScreenMatic <sup>2</sup> 140000	34670	Schaumabdeckplatte BioTec	Foam pad cover BioTec
29	BioTec ScreenMatic <sup>2</sup> 140000	42896	Ersatzschwammset blau BioTec 60 / 140	Replacement set foam blue BioTec 60 / 140
30	BioTec ScreenMatic <sup>2</sup> 140000	34733	Schaumhalter BioTec 18 / 36	Foam holder BioTec 18 / 36
31	BioTec ScreenMatic <sup>2</sup> 140000	25542	Dichtung Schaumhalter BioTec 36	Gasket foam holder BioTec 36
32	BioTec ScreenMatic <sup>2</sup> 140000	25922	Lasche Schaumhalter BioTec 36	Clip foam holder BioTec 36
33	BioTec ScreenMatic <sup>2</sup> 140000	25546	Treibstift Skiffi BioTec 36	Rivet skiffi BioTec 36
34	BioTec ScreenMatic <sup>2</sup> 140000	25547	Abdichtklappe BioTec 36 NBR 128 x 47 SH40	Sealing BioTec 36 128 x 47 SH40
35	BioTec ScreenMatic <sup>2</sup> 140000	25524	Stopfen Schaumhalter BioTec 12 / 18 / 36	Foam holder locking clip BioTec 12 / 18 / 36
36	BioTec ScreenMatic <sup>2</sup> 140000	42894	Ersatzschw. Set rot/violett BioTec 60 / 140	Repl. set foam red/purple BioTec 60 / 140
37	BioTec ScreenMatic <sup>2</sup> 140000	19005	BG Anschluss Set DN 110	ASM connection set DN 110
38	BioTec ScreenMatic <sup>2</sup> 140000	35255	Ersatzstopfen BioTec 36	Spare part plug BioTec 36
39	BioTec ScreenMatic <sup>2</sup> 140000	24229	Schraube CH-V2A DIN 7983 6,3 x 25	Screw CH-V2A DIN 7983 6.3 x 25
40	BioTec ScreenMatic <sup>2</sup> 140000	24230	Flachdichtung Bodenablauf BioTec 36	Flat gasket bottom drain BioTec 36
41	BioTec ScreenMatic <sup>2</sup> 140000	34253	Ablaufkrümmer	Drain bend
42	BioTec ScreenMatic <sup>2</sup> 140000	25996	Distanzstück BioTec 36	Distance part BioTec 36
43	BioTec ScreenMatic <sup>2</sup> 140000	34835	Ablaufführung BioTec 36	Outlet guide BioTec 36
44	BioTec ScreenMatic <sup>2</sup> 140000	44188	BG Ablaufstange kpl. BioTec 140000	ASM drain lever cpl. BioTec 140000
45	BioTec ScreenMatic <sup>2</sup> 140000	44308	BG Bürstenhalter ScreenMatic	ASM brush holder ScreenMatic
46	BioTec ScreenMatic <sup>2</sup> 140000	42450	Schmutzfangkappe	Mud flap cap
47	BioTec ScreenMatic <sup>2</sup> 140000	34367	Zulauf 2" Schlauchanschluss BioTec 30	Inlet 2" connection set BioTec 30

Produkt / Product

57127 BioTec ScreenMatic 12

57128 BioTec ScreenMatic 18



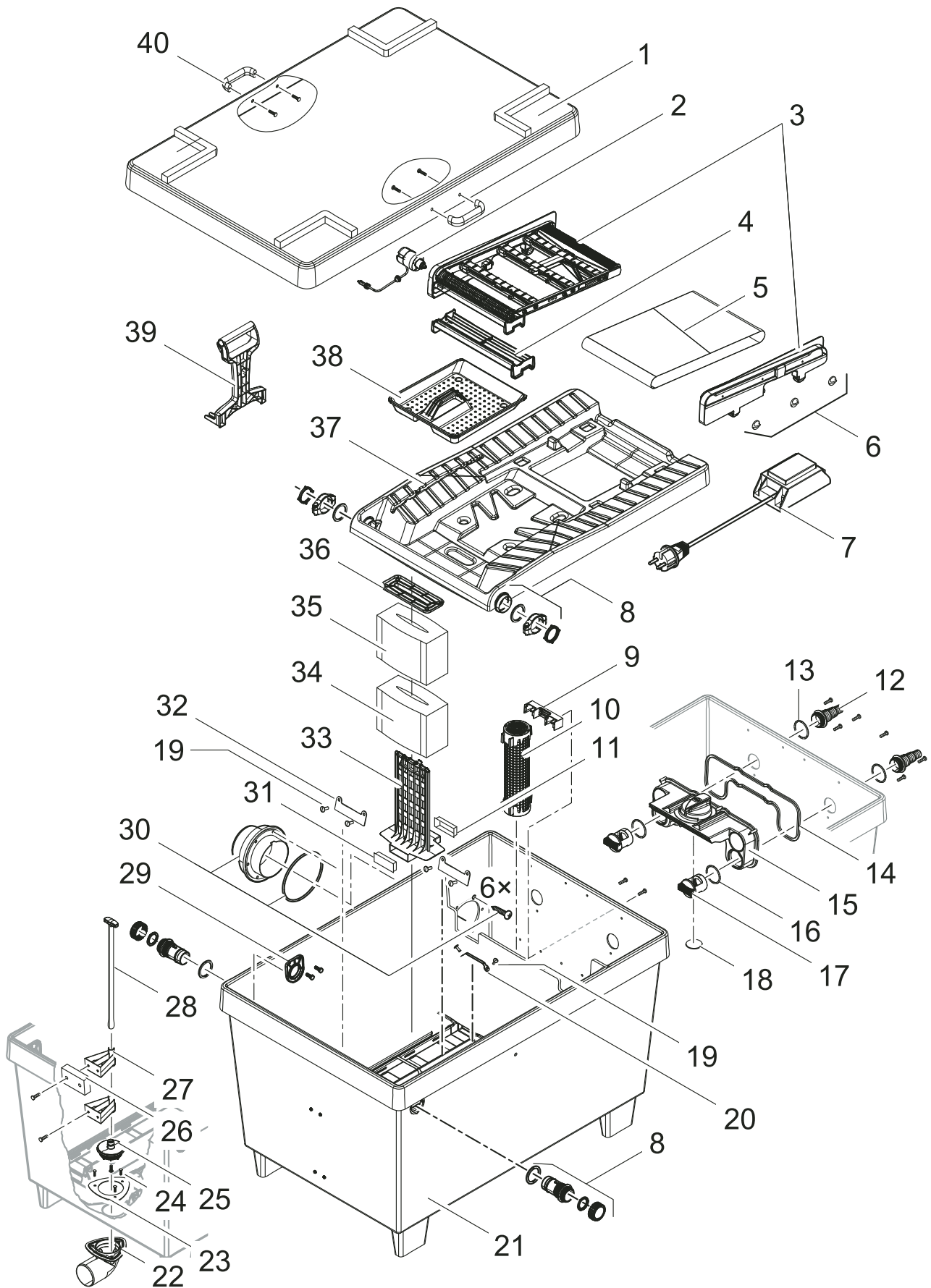
Pos.	Produkt / Product	Artikelnr. / Item no.	Ersatzteil	Spare part
1	BioTec ScreenMatic 12 – 18	10335	BG BioTec ScreenMatic 12 / 18 NT	ASM BioTec ScreenMatic 12 / 18 NT
2	BioTec ScreenMatic 12 – 18	35700	BG Abstreifer mit Bürste ScreenMatic	ASM scraper with brush ScreenMatic
3	BioTec ScreenMatic 12 – 18	42325	Bandgewebe BioTec ScreenMatic 40000 / 60000	Woven fabric BioTec ScreenMatic 40000 / 60000
4	BioTec ScreenMatic 12 – 18	35605	Ersatz Kleinteile BioTec ScreenMatic	Spare small parts BioTec Screenmatic
5	BioTec ScreenMatic 12 – 18	25352	Filterdeckel BioTec 12 / 18	Filter cover BioTec 12 / 18
6	BioTec ScreenMatic 12 – 18	28372	Siebhalter BioTec ScreenMatic 12 / 18	Screen holder BioTec ScreenMatic 12 / 18
7	BioTec ScreenMatic 12	28376	Zwischenwand BioTec ScreenMatic 12	Partition wall BioTec ScreenMatic 12
	BioTec ScreenMatic 18	28373	Zwischenwand BioTec ScreenMatic 18	Partition wall BioTec ScreenMatic 18
8	BioTec ScreenMatic 12	4 x 26304	Substratrohr kpl. BioTec 12	Substrate pipe cpl. BioTec 12
	BioTec ScreenMatic 18	4 x 25507	Substratrohr kpl. BioTec 18 / 36	Substrate pipe cpl. BioTec 18 / 36
9	BioTec ScreenMatic 12 – 18	19512	Stufenschlauchtülle BioTec geschlossen	Stepped hose tail BioTec closed
10	BioTec ScreenMatic 12 – 18	19506	Flachdichtung NBR 60 x 47 x 3 SH40	Flat gasket NBR 60 x 47 x 3 SH40
11	BioTec ScreenMatic 12 – 18	25696	Moosgummid. 6 x 6 / Verteiler BioTec 18 / 36	Foamed rubber gasket 6 x 6 BioTec 18 / 36
12	BioTec ScreenMatic 12 – 18	34844	BG Verteiler BioTec 12 – 18	ASM distributor BioTec 12 – 18
13	BioTec ScreenMatic 12 – 18	25691	O-Ring NBR 54 x 4 SH40	O-Ring NBR 54 x 4 SH40
14	BioTec ScreenMatic 12 – 18	34698	Durchlassschraube BioTec	Inlet locking nut BioTec
15	BioTec ScreenMatic 12 – 18	10349	BG Zeiteinheit BioTec ScreenMatic	ASM timer BioTec ScreenMatic
16	BioTec ScreenMatic 12 – 18	34858	Ersatz Siebhalterbefestigungsset BioTec 18	Screenex retaining nut set BioTec 18
17	BioTec ScreenMatic 12	15428	Behälter BioTec 12 gestanzt	Filter box BioTec 12 pierced
	BioTec ScreenMatic 18	15429	Behälter BioTec 18 gestanzt	Filter box BioTec 18 pierced
18	BioTec ScreenMatic 12 – 18	34859	Dichtungsset Ablauf BioTec 12 – 18 / M1 – M5	Gasket set outlet BioTec 12 – 18 / M1 – M5
19	BioTec ScreenMatic 12 – 18	34860	Ersatz Ablaufset BioTec 12 / 18	Spare drain assembly BioTec 12 / 18
20	BioTec ScreenMatic 12 – 18	34861	Ersatz Auslauf Set BioTec 12 – 18	Spare drainage set BioTec 12 – 18
21	BioTec ScreenMatic 12 – 18	25524	Stopfen Schaumhalter BioTec 12 / 18 / 36	Foam holder locking clip BioTec 12 / 18 / 36
22	BioTec ScreenMatic 12	8 x 26305	Schaumhalter BioTec 12	Foam holder BioTec 12
	BioTec ScreenMatic 18	8 x 34733	Schaumhalter BioTec 18 / 36	Foam holder BioTec 18 / 36
23	BioTec ScreenMatic 12	42893	Ersatzschw. Set rot/violett BioTec 40000	Repl. set foam red/purple BioTec 40000
	BioTec ScreenMatic 18	42896	Ersatzschwammset blau BioTec 60 / 140	Replacement set foam blue BioTec 60 / 140
24	BioTec ScreenMatic 12	42895	Ersatzschwammset blau BioTec 40000	Replacement set foam blue BioTec 40000
	BioTec ScreenMatic 18	42894	Ersatzschw. Set rot/violett BioTec 60 / 140	Repl. set foam red/purple BioTec 60 / 140
25	BioTec ScreenMatic 12 – 18	34670	Schaumabdeckplatte BioTec	Foam pad cover BioTec
26	BioTec ScreenMatic 12 – 18	28371	Schmutzkorb BioTec ScreenMatic 12 / 18 / 36	Debris collec. basket ScreenMatic 12 / 18 / 36
27	BioTec ScreenMatic 12 – 18	34734	Reiniger BioTec	Cleaner BioTec
28	BioTec ScreenMatic 12 – 18	23808	Ersatz Antriebseinheit BioTec ScreenMatic	Spare traction unit BioTec ScreenMatic
29	BioTec ScreenMatic 12 – 18	26611	Abdeckung Verteiler GPN 915 / 35 schwarz	Cover distributor GPN 915 / 35 black
30	BioTec ScreenMatic 12 – 18	25550	Dichtung 4 x 10 Zwischenwand BioTec 18	Gasket 4 x 10 partition BioTec 18
31	BioTec ScreenMatic 12 – 18	2 x 34830	Zugstangenstopfen	Pull rod plug
32	BioTec ScreenMatic 12 – 18	25624	Zugstange BioTec 18	Pull rod BioTec 18

Produkt / Product

51259 BioTec ScreenMatic 36

FILTER, UVC & BELÜFTUNG / FILTERS, UVC & AERATORS

DURCHLAUFILTER / FLOW-THROUGH FILTERS





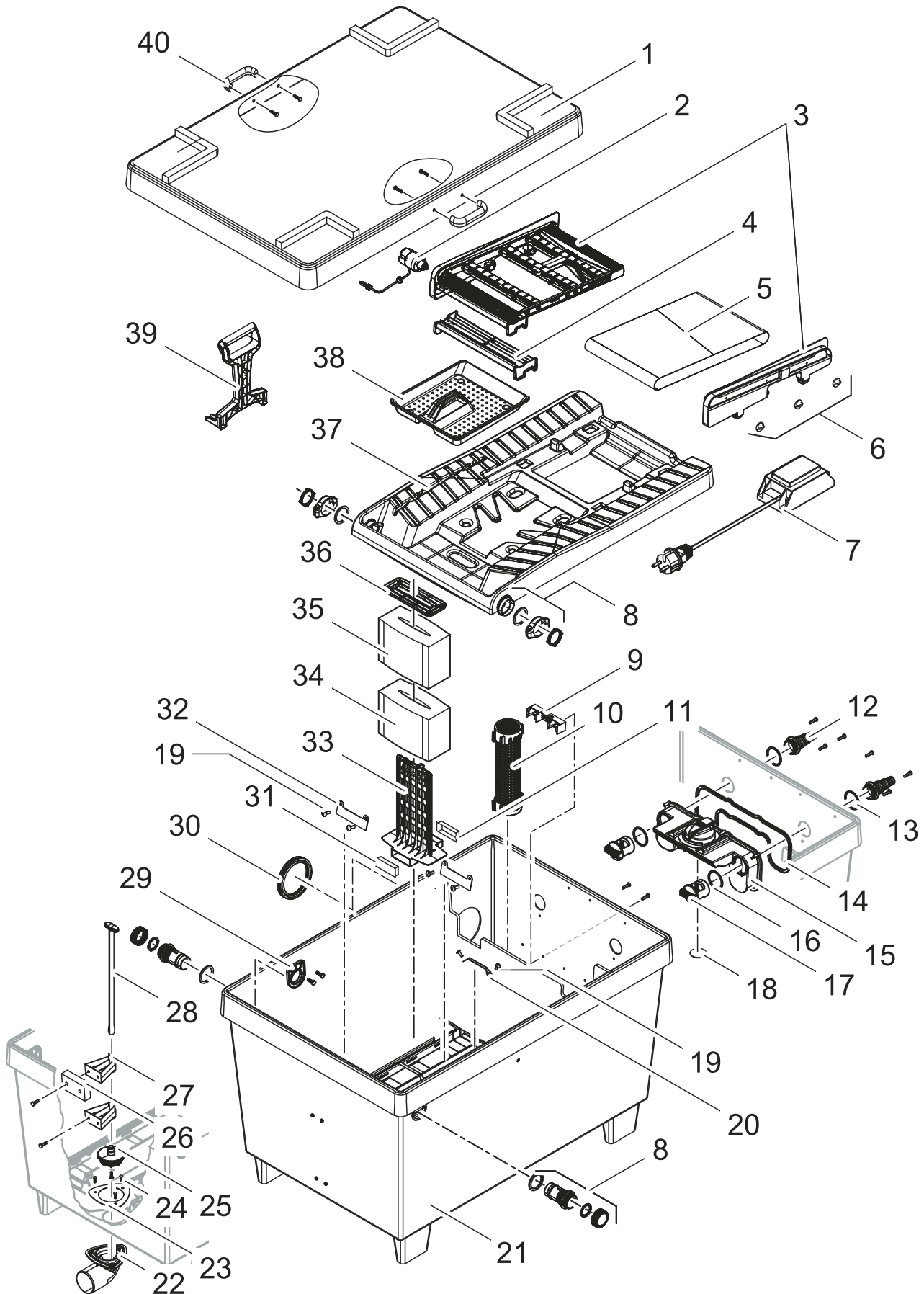
Pos.	Produkt / Product	Artikelnr. / Item no.	Ersatzteil	Spare part
1	BioTec ScreenMatic 36	25544	Deckel BioTec 36	Cover BioTec 36
2	BioTec ScreenMatic 36	23808	Ersatz Antriebseinheit BioTec ScreenMatic	Spare traction unit BioTec ScreenMatic
3	BioTec ScreenMatic 36	10340	BG BioTec ScreenMatic 36 NT	ASM BioTec ScreenMatic 36 NT
4	BioTec ScreenMatic 36	35700	BG Abstreifer mit Bürste ScreenMatic	ASM scraper with brush ScreenMatic
5	BioTec ScreenMatic 36	28412	Bandgewebe BioTec ScreenMatic 36	Woven fabric BioTec ScreenMatic 36
6	BioTec ScreenMatic 36	35605	Ersatz Kleinteile BioTec ScreenMatic	Spare small parts BioTec Screenmatic
7	BioTec ScreenMatic 36	10349	BG Zeiteinheit BioTec ScreenMatic	ASM timer BioTec ScreenMatic
8	BioTec ScreenMatic 36	34858	Ersatz Siebhalterbefestigungsset BioTec 18	Screenex retaining nut set BioTec 18
9	BioTec ScreenMatic 36	34864	Ersatz Klammer BioTec 36	Spare clip BioTec 36
10	BioTec ScreenMatic 36	12 x 25507	Substratrohr kpl. BioTec 18 / 36	Substrate pipe cpl. BioTec 18 / 36
11	BioTec ScreenMatic 36	25542	Dichtung Schaumhalter BioTec 36	Gasket foam holder BioTec 36
12	BioTec ScreenMatic 36	19512	Stufenschlauchtülle BioTec geschlossen	Stepped hose tail BioTec closed
13	BioTec ScreenMatic 36	19506	Flachdichtung NBR 60 x 47 x 3 SH40	Flat gasket NBR 60 x 47 x 3 SH40
14	BioTec ScreenMatic 36	1,25 x 25696	Moosgummid. 6 x 6 / Verteiler BioTec 18 / 36	Foamed rubber gasket 6 x 6 BioTec 18 / 36
15	BioTec ScreenMatic 36	34855	BG Verteiler BioTec 36	ASM distributor BioTec 36
16	BioTec ScreenMatic 36	25691	O-Ring NBR 54 x 4 SH40	O-Ring NBR 54 x 4 SH40
17	BioTec ScreenMatic 36	34698	Durchlassschraube BioTec	Inlet locking nut BioTec
18	BioTec ScreenMatic 36	26611	Abdeckung Verteiler GPN 915 / 35 schwarz	Cover distributor GPN 915 / 35 black
19	BioTec ScreenMatic 36	16 x 25546	Treibstift Skiffi BioTec 36	Rivet skiffi BioTec 36
20	BioTec ScreenMatic 36	25922	Lasche Schaumhalter BioTec 36	Clip foam holder BioTec 36
21	BioTec ScreenMatic 36	21530	Ersatz Behälter BioTec ScreenMatic 36	Spare case BioTec ScreenMatic 36
22	BioTec ScreenMatic 36	34253	Ablaufkrümmer	Drain bend
23	BioTec ScreenMatic 36	24230	Flachdichtung Bodenablauf BioTec 36	Flat gasket bottom drain BioTec 36
24	BioTec ScreenMatic 36	24229	Schraube CH-V2A DIN 7983 6,3 x 25	Screw CH-V2A DIN 7983 6.3 x 25
25	BioTec ScreenMatic 36	35255	Ersatzstopfen BioTec 36	Spare part plug BioTec 36
26	BioTec ScreenMatic 36	25996	Distanzstück BioTec 36	Distance part BioTec 36
27	BioTec ScreenMatic 36	34835	Ablaufführung BioTec 36	Outlet guide BioTec 36
28	BioTec ScreenMatic 36	26321	BG Ablaufstange kpl. BioTec 36	ASM drain lever BioTec 36 cpl.
29	BioTec ScreenMatic 36	34829	Keilscheibe BioTec 36	Wedge plate BioTec 36
30	BioTec ScreenMatic 36	19005	BG Anschluss Set DN 110	ASM connection set DN 110
31	BioTec ScreenMatic 36	25524	Stopfen Schaumhalter BioTec 12 / 18 / 36	Foam holder locking clip BioTec 12 / 18 / 36
32	BioTec ScreenMatic 36	25547	Abdichtklappe BioTec 36 NBR 128 x 47 SH40	Sealing BioTec 36 128 x 47 SH40
33	BioTec ScreenMatic 36	18 x 34733	Schaumhalter BioTec 18 / 36	Foam holder BioTec 18 / 36
34	BioTec ScreenMatic 36	18 x 42896	Ersatzschwammset blau BioTec 60 / 140	Replacement set foam blue BioTec 60 / 140
35	BioTec ScreenMatic 36	18 x 42894	Ersatzschw. Set rot/violett BioTec 60 / 140	Repl. set foam red/purple BioTec 60 / 140
36	BioTec ScreenMatic 36	34670	Schaumabdeckplatte BioTec	Foam pad cover BioTec
37	BioTec ScreenMatic 36	28378	Siebhalter BioTec ScreenMatic 36	Screen holder BioTec ScreenMatic 36
38	BioTec ScreenMatic 36	28371	Schmutzkorb BioTec ScreenMatic 12 / 18 / 36	Debris collec. basket ScreenMatic 12 / 18 / 36
39	BioTec ScreenMatic 36	34734	Reiniger BioTec	Cleaner BioTec
40	BioTec ScreenMatic 36	34868	BG Griff BioTec 36	ASM handle BioTec 36

Produkt / Product

57129 BioTec ScreenMatic 36

FILTER, UVC & BELÜFTUNG / FILTERS, UVC & AERATORS

DURCHLAUFILTER / FLOW-THROUGH FILTERS



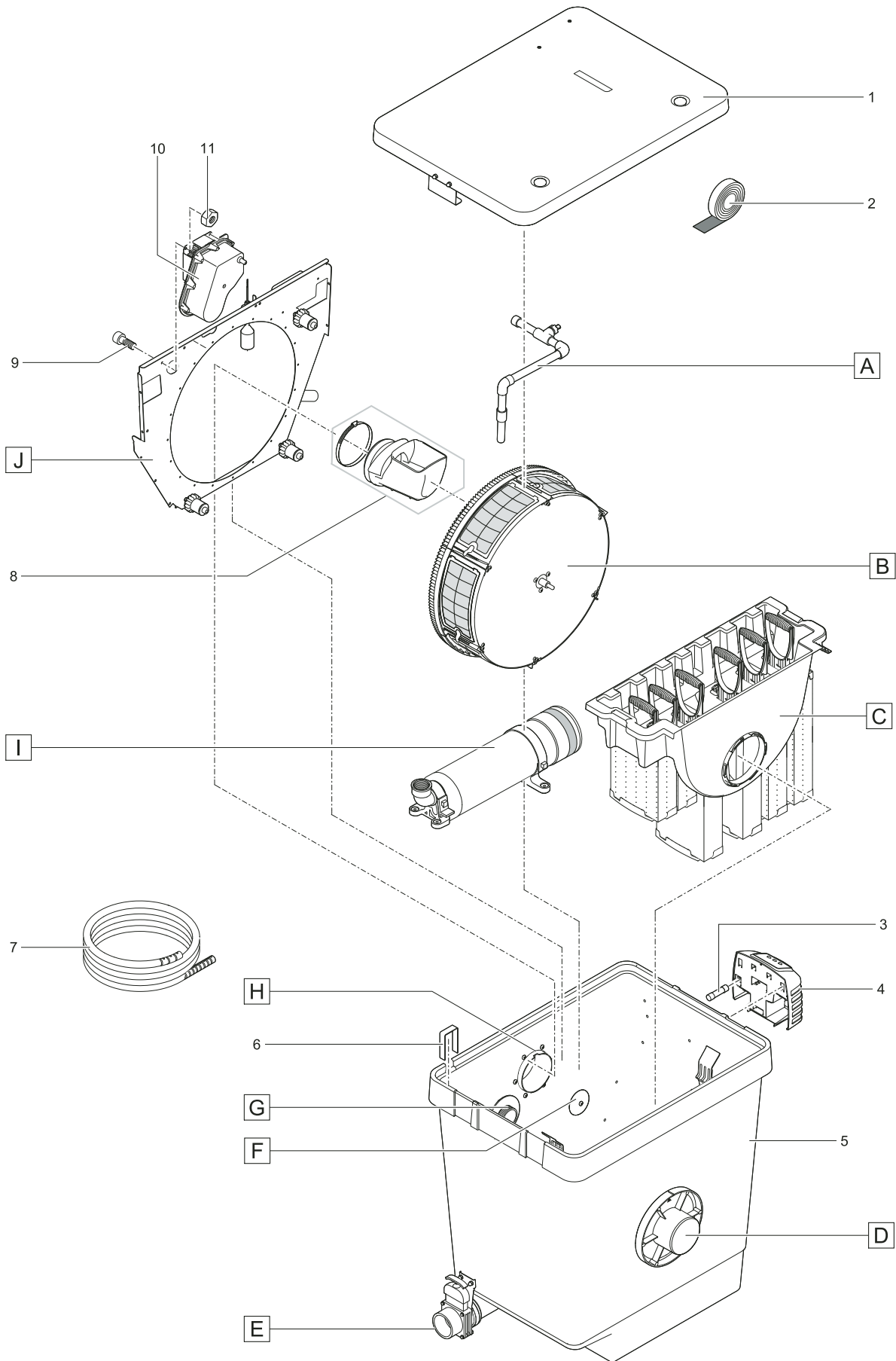
Pos.	Produkt / Product	Artikelnr. / Item no.	Ersatzteil	Spare part
1	BioTec ScreenMatic 36	25544	Deckel BioTec 36	Cover BioTec 36
2	BioTec ScreenMatic 36	23808	Ersatz Antriebseinheit BioTec ScreenMatic	Spare traction unit BioTec ScreenMatic
3	BioTec ScreenMatic 36	10340	BG BioTec ScreenMatic 36 NT	ASM BioTec ScreenMatic 36 NT
4	BioTec ScreenMatic 36	35700	BG Abstreifer mit Bürste ScreenMatic	ASM scraper with brush ScreenMatic
5	BioTec ScreenMatic 36	28412	Bandgewebe BioTec ScreenMatic 36	Woven fabric BioTec ScreenMatic 36
6	BioTec ScreenMatic 36	35605	Ersatz Kleinteile BioTec ScreenMatic	Spare small parts BioTec Screenmatic
7	BioTec ScreenMatic 36	10349	BG Zeiteinheit BioTec ScreenMatic	ASM timer BioTec ScreenMatic
8	BioTec ScreenMatic 36	34858	Ersatz Siebhalterbefestigungsset BioTec 18	Screenex retaining nut set BioTec 18
9	BioTec ScreenMatic 36	34864	Ersatz Klammer BioTec 36	Spare clip BioTec 36
10	BioTec ScreenMatic 36	12 x 25507	Substratrohr kpl. BioTec 18 / 36	Substrate pipe cpl. BioTec 18 / 36
11	BioTec ScreenMatic 36	3 x 25542	Dichtung Schaumhalter BioTec 36	Gasket foam holder BioTec 36
12	BioTec ScreenMatic 36	19512	Stufenschlauchtülle BioTec geschlossen	Stepped hose tail BioTec closed
13	BioTec ScreenMatic 36	19506	Flachdichtung NBR 60 x 47 x 3 SH40	Flat gasket NBR 60 x 47 x 3 SH40
14	BioTec ScreenMatic 36	25696	Moosgummid. 6 x 6 / Verteiler BioTec 18 / 36	Foamed rubber gasket 6 x 6 BioTec 18 / 36
15	BioTec ScreenMatic 36	34855	BG Verteiler BioTec 36	ASM distributor BioTec 36
16	BioTec ScreenMatic 36	25691	O-Ring NBR 54 x 4 SH40	O-Ring NBR 54 x 4 SH40
17	BioTec ScreenMatic 36	34698	Durchlassschraube BioTec	Inlet locking nut BioTec
18	BioTec ScreenMatic 36	26611	Abdeckung Verteiler GPN 915 / 35 schwarz	Cover distributor GPN 915 / 35 black
19	BioTec ScreenMatic 36	16 x 25546	Treibstift Skiffi BioTec 36	Rivet skiffi BioTec 36
20	BioTec ScreenMatic 36	25922	Lasche Schaumhalter BioTec 36	Clip foam holder BioTec 36
21	BioTec ScreenMatic 36	29310	Behälter BioTec ScreenMatic 36	Filter box BioTec ScreenMatic 36
22	BioTec ScreenMatic 36	34253	Ablaufkrümmer	Drain bend
23	BioTec ScreenMatic 36	24230	Flachdichtung Bodenablauf BioTec 36	Flat gasket bottom drain BioTec 36
24	BioTec ScreenMatic 36	24229	Schraube CH-V2A DIN 7983 6,3 x 25	Screw CH-V2A DIN 7983 6.3 x 25
25	BioTec ScreenMatic 36	35255	Ersatzstopfen BioTec 36	Spare part plug BioTec 36
26	BioTec ScreenMatic 36	25996	Distanzstück BioTec 36	Distance part BioTec 36
27	BioTec ScreenMatic 36	34835	Ablaufführung BioTec 36	Outlet guide BioTec 36
28	BioTec ScreenMatic 36	26321	BG Ablaufstange kpl. BioTec 36	ASM drain lever BioTec 36 cpl.
29	BioTec ScreenMatic 36	34829	Keilscheibe BioTec 36	Wedge plate BioTec 36
30	BioTec ScreenMatic 36	34285	Dichtung 100 BioTec 30 / 36	Gasket 100 BioTec 30 / 36
31	BioTec ScreenMatic 36	3 x 25524	Stopfen Schaumhalter BioTec 12 / 18 / 36	Foam holder locking clip BioTec 12 / 18 / 36
32	BioTec ScreenMatic 36	25547	Abdichtklappe BioTec 36 NBR 128 x 47 SH40	Sealing BioTec 36 128 x 47 SH40
33	BioTec ScreenMatic 36	18 x 34733	Schaumhalter BioTec 18 / 36	Foam holder BioTec 18 / 36
34	BioTec ScreenMatic 36	42896	Ersatzschwammset blau BioTec 60 / 140	Replacement set foam blue BioTec 60 / 140
35	BioTec ScreenMatic 36	42894	Ersatzschw. Set rot/violett BioTec 60 / 140	Repl. set foam red/purple BioTec 60 / 140
36	BioTec ScreenMatic 36	34670	Schaumabdeckplatte BioTec	Foam pad cover BioTec
37	BioTec ScreenMatic 36	28378	Siebhalter BioTec ScreenMatic 36	Screen holder BioTec ScreenMatic 36
38	BioTec ScreenMatic 36	28371	Schmutzkorb BioTec ScreenMatic 12 / 18 / 36	Debris collec. basket ScreenMatic 12 / 18 / 36
39	BioTec ScreenMatic 36	34734	Reiniger BioTec	Cleaner BioTec
40	BioTec ScreenMatic 36	34868	BG Griff BioTec 36	ASM handle BioTec 36

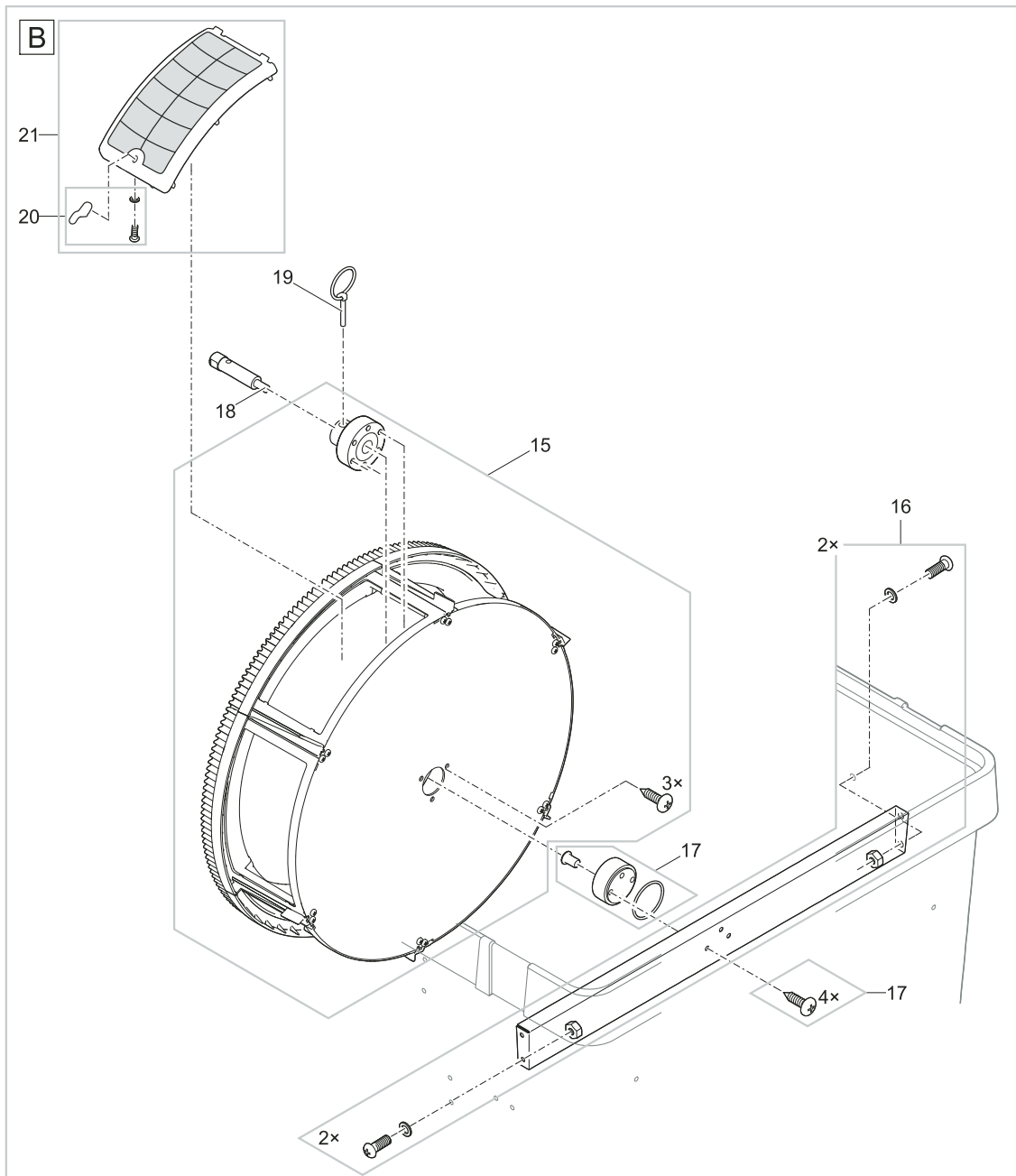
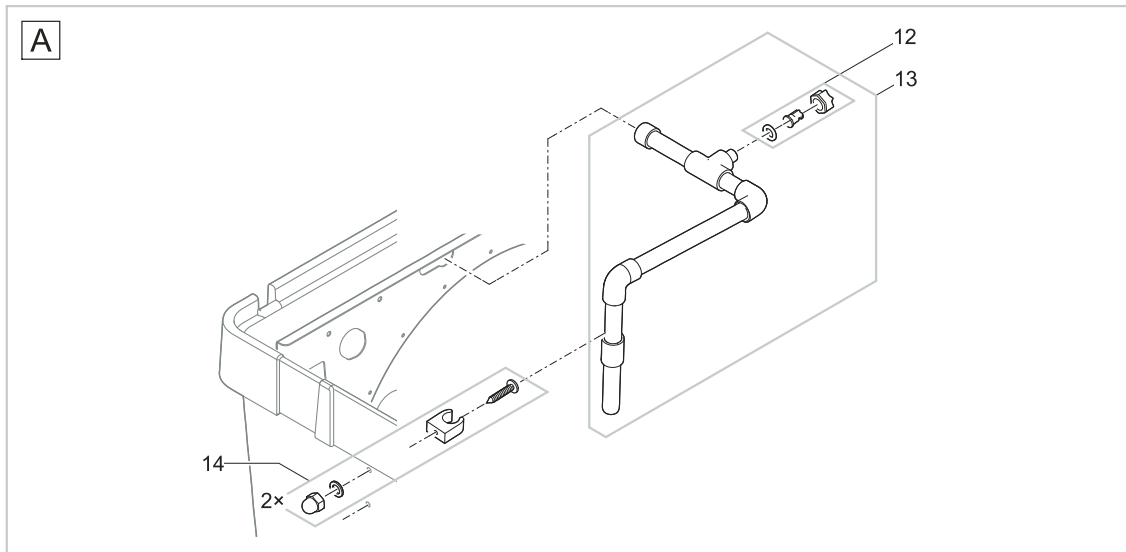
Produkt / Product

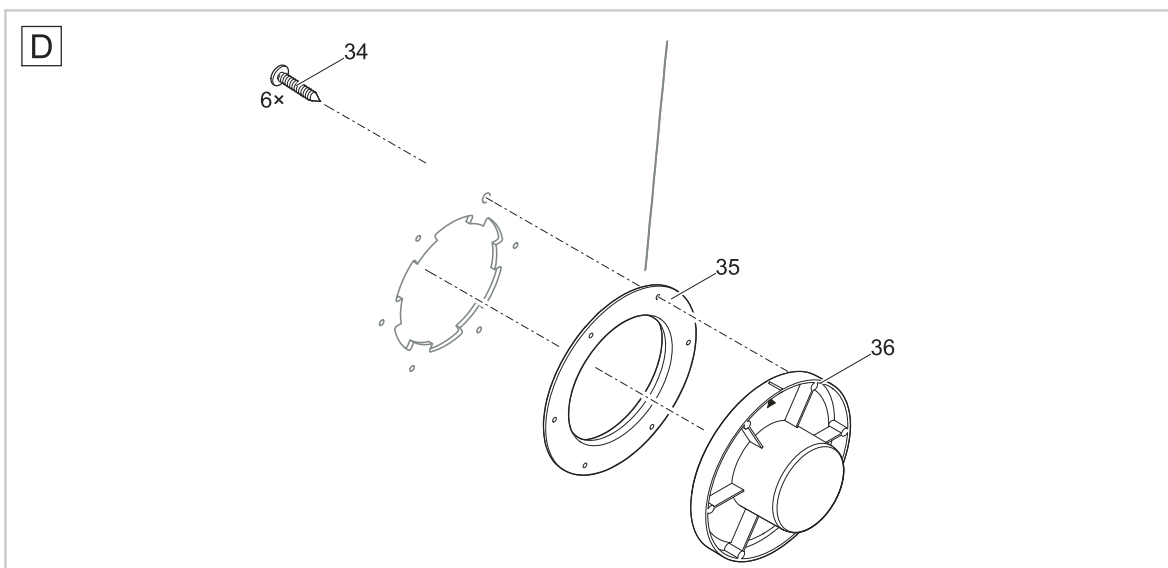
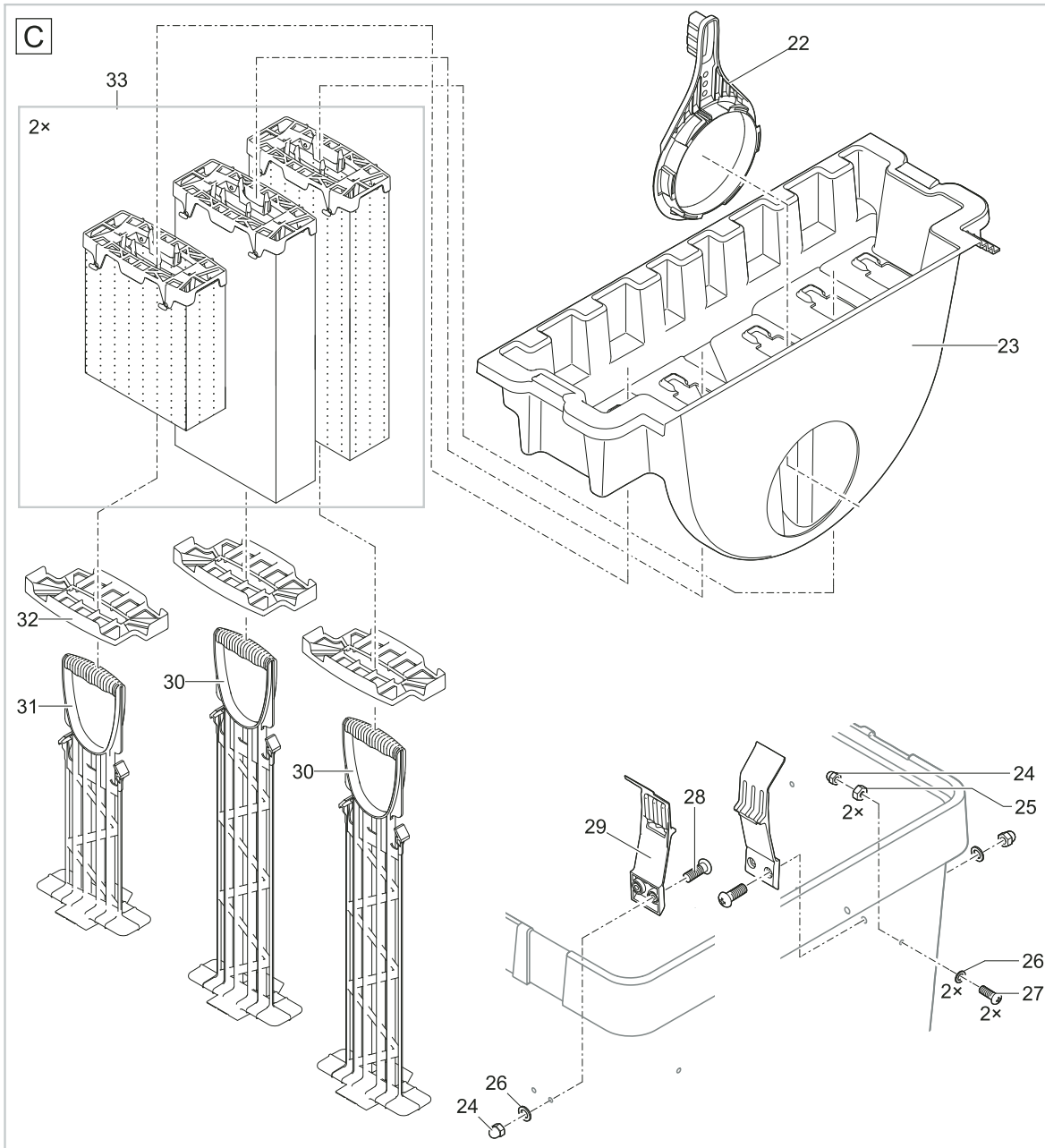
56755 BioTec Premium 80000

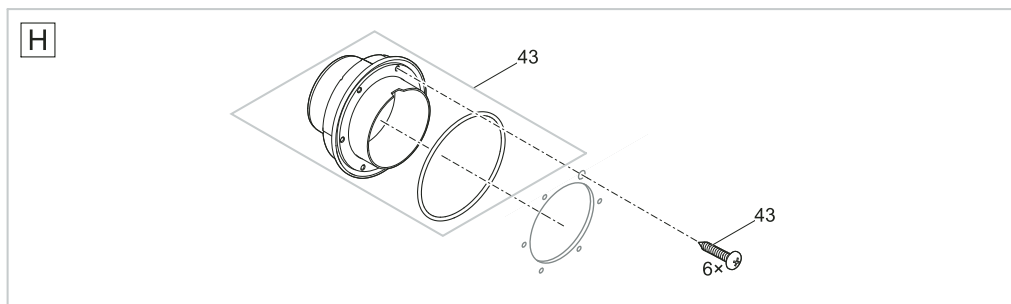
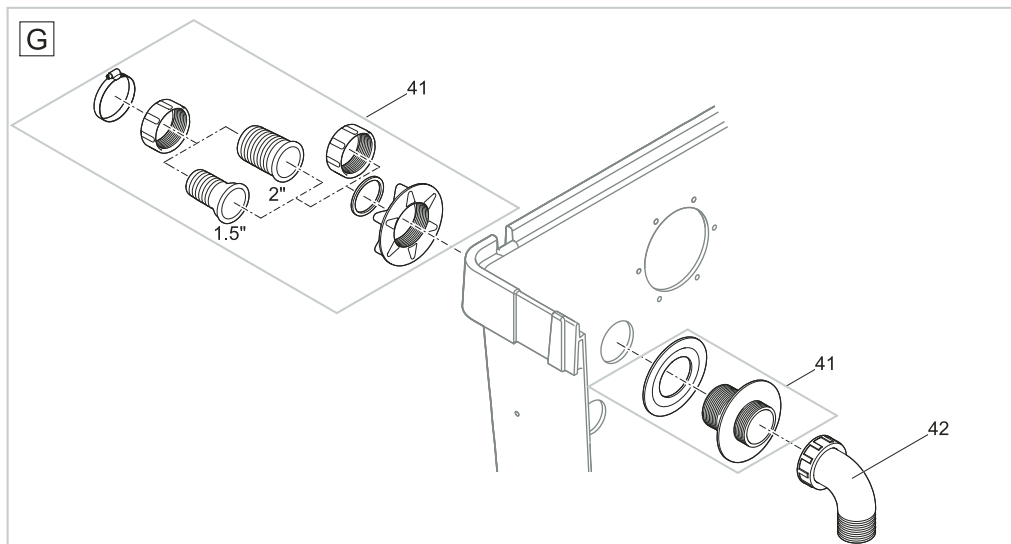
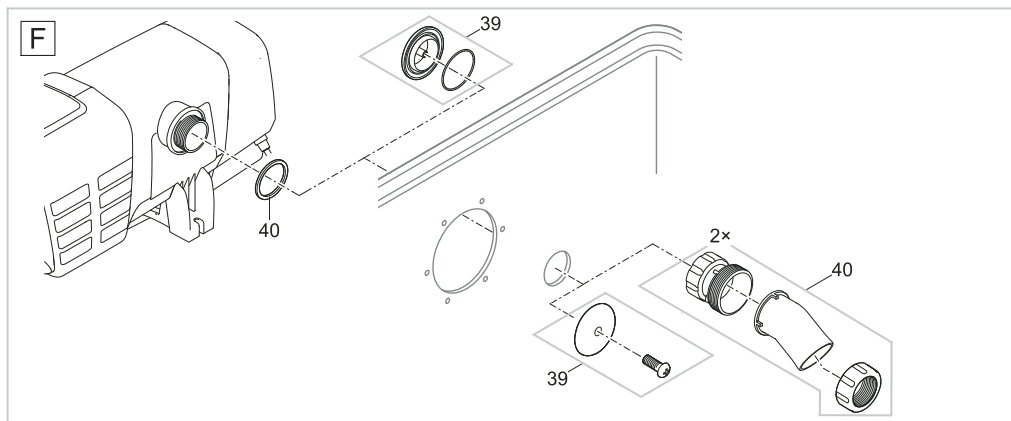
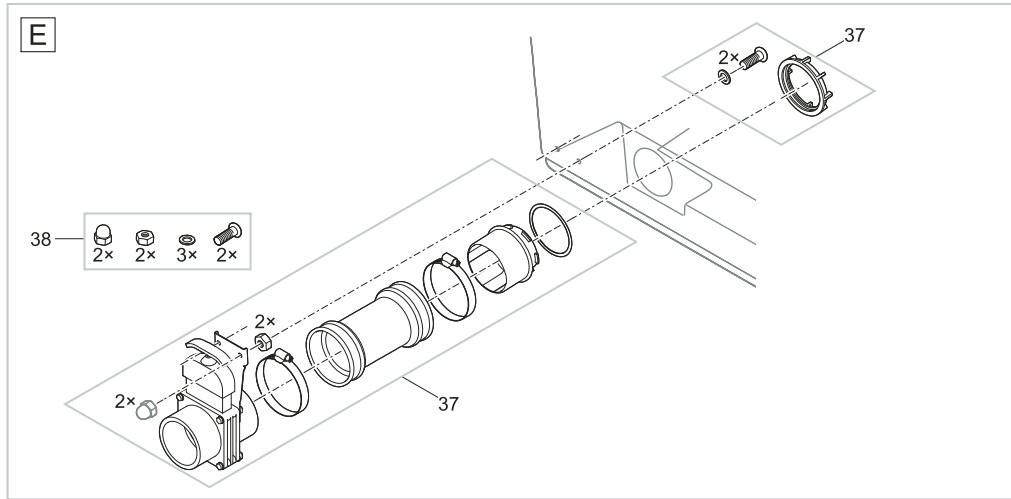
FILTER, UVC & BELÜFTUNG / FILTERS, UVC & AERATORS

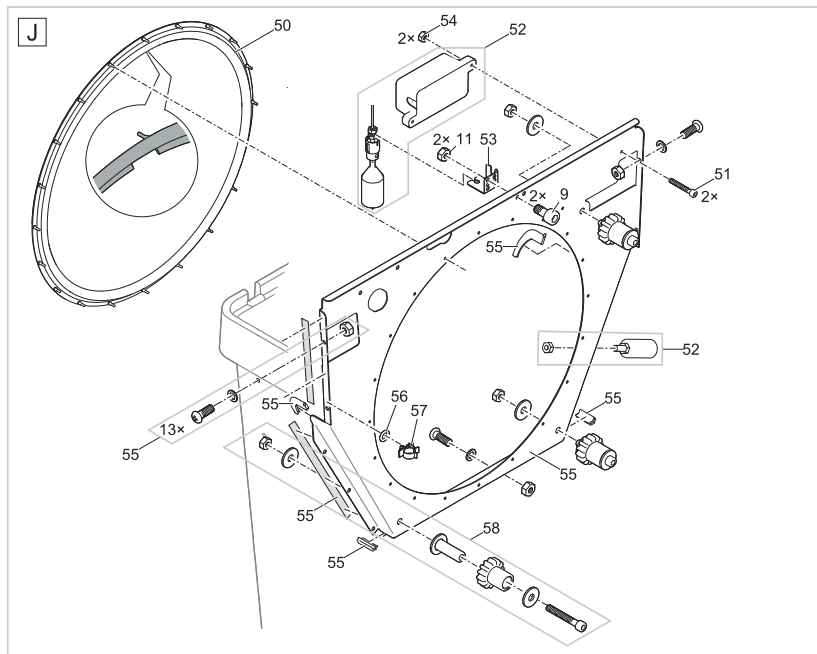
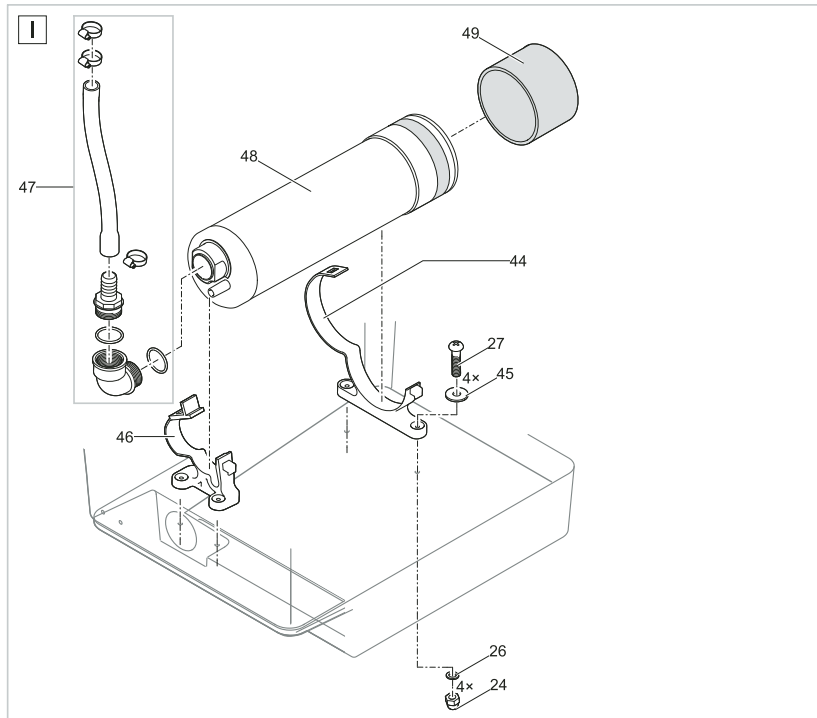
DURCHLAUFILTER / FLOW-THROUGH FILTERS











Pos.	Produkt / Product	Artikelnr. / Item no.	Ersatzteil	Spare part
1	BioTec Premium 80000	18795	Ersatz Deckel kpl. Trommelfilter	Spare part lid cpl. drum filter
2	BioTec Premium 80000	21981	Ersatz Deckelabdichtung Trommelfilter	Spare cover gasket seal drum filter
3	BioTec Premium 80000	18692	Schmelzsicherung T8A 250 V	Fuse T8A 250 V
4	BioTec Premium 80000	40095	BG Steuerung BioTec Premium 80000	ASM controller BioTec Premium 80000
5	BioTec Premium 80000	39906	Behälter BioTec Premium 80000	Container BioTec Premium 80000
6	BioTec Premium 80000	18842	Blechklammer Trommelfilter	Clip drum filter
7	BioTec Premium 80000	11979	Kabelschutz Quintet / Trommelfilter	Cable protection Quintet / drum filter
8	BioTec Premium 80000	40022	BG Schmutzrinne BioTec Premium 80000	ASM waste channel BioTec Premium 80000
9	BioTec Premium 80000	15596	Schraube V4A DIN 912 M6 x 10	Screw V4A DIN 912 M6 x 10
10	BioTec Premium 80000	40078	BG Trommelmotor BioTec Premium 80000	ASM drum motor BioTec Premium 80000



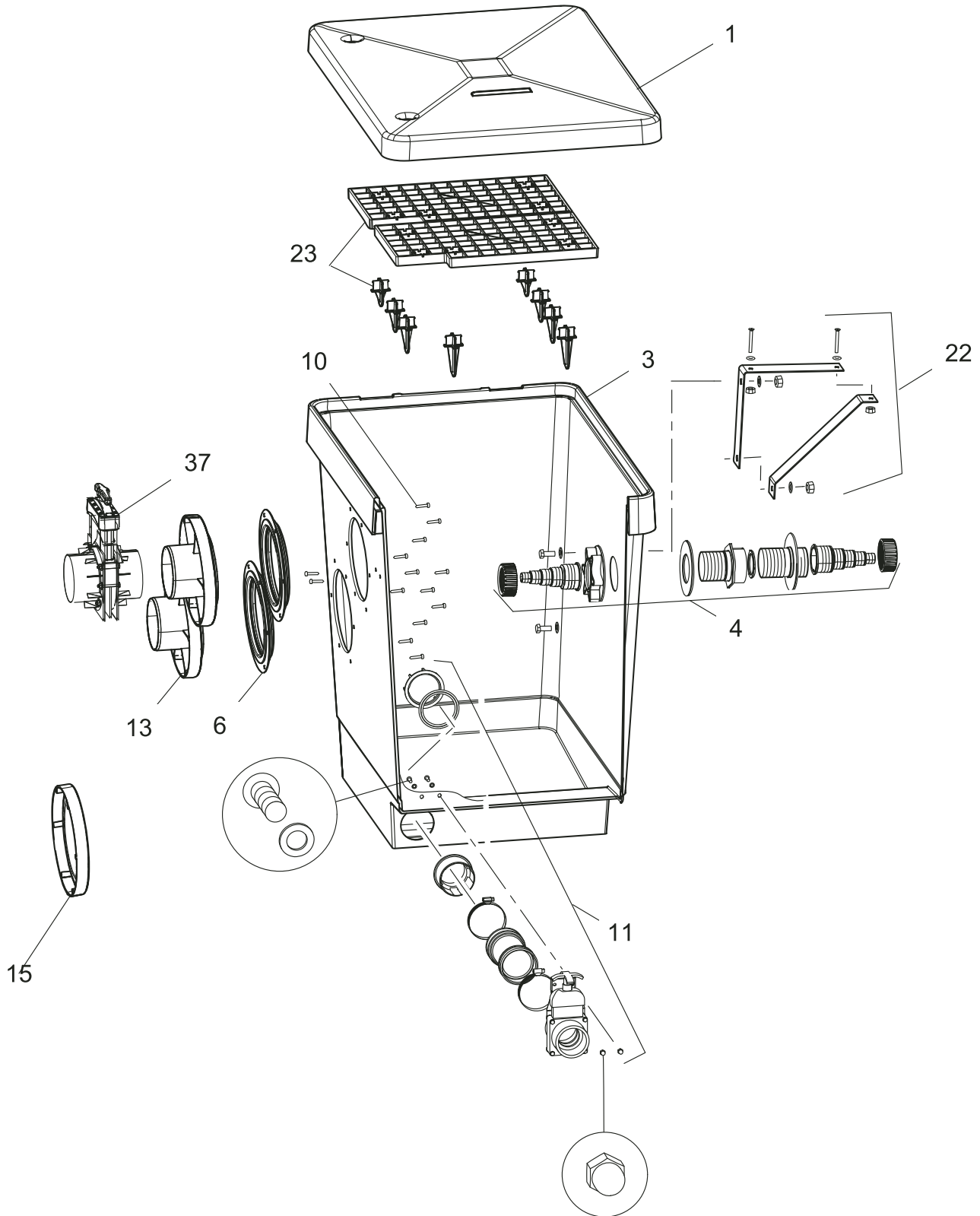
Pos.	Produkt / Product	Artikelnr. / Item no.	Ersatzteil	Spare part
11	BioTec Premium 80000	6128	Sicherungsmutter V2A DIN 985 M6	Lock nut V2A DIN 985 M6
12	BioTec Premium 80000	41471	Ersatz Düse BioTec Premium 80000	Spare nozzle BioTec Premium 80000
13	BioTec Premium 80000	40238	BG Spülrohr BioTec Premium 80000	ASM cleaning tube BioTec Premium 80000
14	BioTec Premium 80000	2 x 41472	Ersatz Schlauchhalter BioTec / Compact	Spare hose bracket BioTec / Compact
15	BioTec Premium 80000	41476	Ersatz Trommel BioTec / Compact	Spare drum BioTec / Compact
16	BioTec Premium 80000	2 x 41887	Ersatz Trommellagerstrebe	Spare drum bearing truss
17	BioTec Premium 80000	4 x 18791	Ersatz Trommellager Trommelfilter	Spare drum bearing drum filter
18	BioTec Premium 80000	16288	Trommelwelle Trommelfilter	Drum shaft
19	BioTec Premium 80000	19515	Klappsplint V2A DIN 11023 – 6 mm	Locking pin V2A DIN 11023 – 6 mm
20	BioTec Premium 80000	41889	Ersatz Clip Trommelfilter	Spare clip drum filter
21	BioTec Premium 80000	41473	Ersatz Sieb BioTec Premium 80000 125µ	Spare sieve BioTec Premium 80000 125µ
22	BioTec Premium 80000	22629	Bajonettring Innendeckel BioTec Premium 80000	Bayonet ring inner cover BioTec Premium 80000
23	BioTec Premium 80000	22422	Innendeckel BioTec Premium 80000	Inner cover BioTec Premium 80000
24	BioTec Premium 80000	6117	Hutmutter V2A DIN 1587 M6	Cap nut V2A DIN 1587 M6
25	BioTec Premium 80000	2 x 6105	Sechskantmutter V2A DIN 934 M6	Hexagon nut V2A DIN 934 M6
26	BioTec Premium 80000	2 x 20609	Fiberscheibe DIN 7603 6 x 12 x 1 mm	Fiberplate DIN 7603 6 x 12 x 1 mm
27	BioTec Premium 80000	2 x 17918	Linsenschraube V2A DIN 7985 M6 x 25	Oval head screw V2A DIN 7985 M6 x 25
28	BioTec Premium 80000	14596	Linsenschraube V2A DIN 7985 M6 x 16	Oval head screw V2A DIN 7985 M6 x 16
29	BioTec Premium 80000	40071	Halter Innendeckel BioTec Premium 80000	Retainer inner lid BioTec Premium 80000
30	BioTec Premium 80000	41253	Schaumhalter lang BioTec Premium 80000	Foam holder long BioTec Premium 80000
31	BioTec Premium 80000	40121	Schaumhalter kurz BioTec Premium 80000	Foam holder short BioTec Premium 80000
32	BioTec Premium 80000	13629	Schaumplatte Unterteil FiltoMatic	Foam plate base part FiltoMatic
33	BioTec Premium 80000	40456	Filterpatronenset BioTec Premium 80000	Filtercartridge set BioTec Premium 80000
34	BioTec Premium 80000	6 x 27572	Linsenschraube CZ-V2A DIN 7981 6,3 x 32	Oval head screw CZ-V2A DIN 7981 6.3 x 32
35	BioTec Premium 80000	22676	Dichtung Innendeckel BioTec Prem. 80000	Gasket inner cover BioTec Premium 80000
36	BioTec Premium 80000	26963	Einlaufstutzen 100	Intake 100
37	BioTec Premium 80000	18446	Ersatz Abfluss DN75 Premium	Spare drain DN75 Premium
38	BioTec Premium 80000	18448	Ersatzschrauben Abfluss DN75 Premium	Spare screws drain DN75 Premium
39	BioTec Premium 80000	35570	Ersatz-Stopfen kpl.	Replacement Plug
40	BioTec Premium 80000	22746	Beipack Trommelfilter gepumpt II	Add. pack drum filter pump-fed II
41	BioTec Premium 80000	18798	Ersatz Durchführung ProfiClear gepumpt	Spare grommet drum filter pump-fed
42	BioTec Premium 80000	50540	Verbindungsbogen 2"/90° Bitron	Connection elbow 2"/90° Bitron
43	BioTec Premium 80000	6 x 19005	BG Anschluss Set DN 110	ASM connection set DN 110
44	BioTec Premium 80000	40114	Lagesicherung Spülpumpe hinten	Fastening kit rinse pump rear
45	BioTec Premium 80000	4 x 6143	Unterlegscheibe VA DIN 9021 6,4	Washer VA DIN 9021 6.4
46	BioTec Premium 80000	4 x 40074	Lagesicherung Spülpumpe vorne	Fastening kit rinse pump front
47	BioTec Premium 80000	41479	Ersatz Anschl. Spülpumpe BioTec / Compact	Spare connector waste pump BioTec / Compact
48	BioTec Premium 80000	40075	Spülpumpe 4 bar – 2 m Kabel	Slush pump 4 bar – 2 m cable
49	BioTec Premium 80000	18943	Vorfilter Spülpumpe	Pre-filter scavenging pump
50	BioTec Premium 80000	23192	Ersatz Trommeldichtung	Spare drum gasket
51	BioTec Premium 80000	20320	Zylinderschraube V2A DIN 912 M4 x 20	Cylinder screw V2A DIN 912 M4 x 20
52	BioTec Premium 80000	40129	BG Signalbox gepumpt	ASM signal box pumped
53	BioTec Premium 80000	40099	Haltebl. Schwimmersch. BioTec / Compact gep.	Mounting pl. float switch BioTec / Comp. pump
54	BioTec Premium 80000	11113	Sechskantmutter V2A DIN 985 M4	Safety nut V2A DIN 985 M4
55	BioTec Premium 80000	41481	Ersatz Trennwand BioTec / Compact gepumpt	Spare separating wall BioTec / Compact pump
56	BioTec Premium 80000	19023	O-Ring EPDM 6 x 1,5 SH70 A	O-Ring EPDM 6 x 1.5 SH70 A
57	BioTec Premium 80000	19402	Kabelhalter Trommelfilter	Cable holder drum filter
58	BioTec Premium 80000	18794	Ersatz Laufrolle Trommelfilter	Spare plain roller drum filter

Produkt / Product

51061 ProfiClear Classic Pumpenkammer

FILTER, UVC & BELÜFTUNG / FILTERS, UVC & AERATORS

MODULARE DURCHLAUFILTER / MODULAR FLOW-THROUGH FILTERS



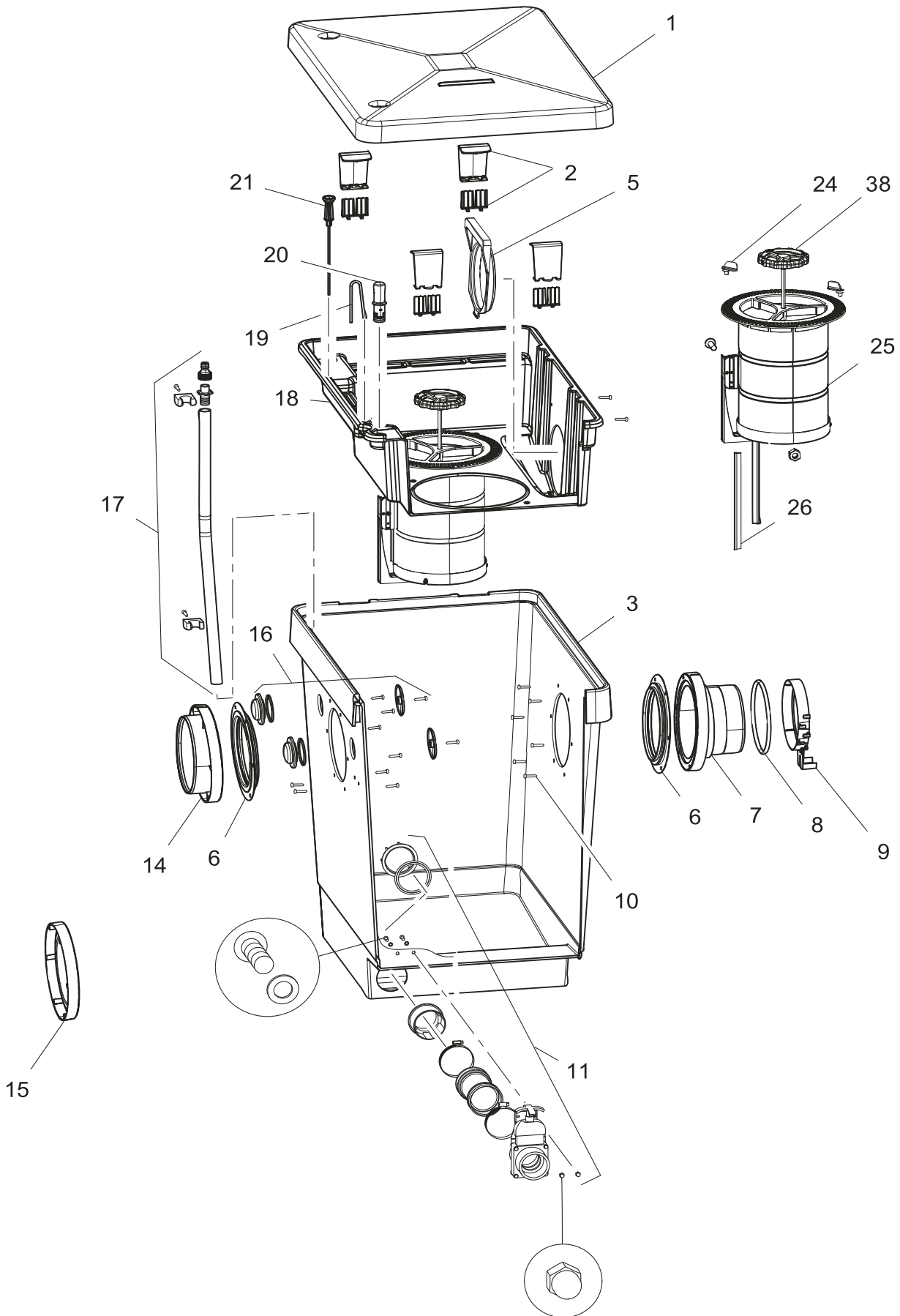
Pos.	Produkt / Product	Artikelnr. / Item no.	Ersatzteil	Spare part
1	ProfiClear Classic Pumpenkammer	19333	Deckel ProfiClear Premium	Cover ProfiClear Premium
3	ProfiClear Classic Pumpenkammer	30703	Behälter ProfiClear Classic Pumpenkammer	Filter box ProfiClear Classic pump module
4	ProfiClear Classic Pumpenkammer	35405	Ersatz Anschlussset ProfiClear	Spare part connection set ProfiClear
6	ProfiClear Classic Pumpenkammer	26957	Dichtung 150 verschraubt	Gasket 150 screwed
10	ProfiClear Classic Pumpenkammer	27572	Linsenschraube CZ-V2A DIN 7981 6,3 x 32	Oval head screw CZ-V2A DIN 7981 6.3 x 32
11	ProfiClear Classic Pumpenkammer	18446	Ersatz Abfluss DN75 Premium	Spare drain DN75 Premium
13	ProfiClear Classic Pumpenkammer	26963	Einlaufstutzen 100	Intake 100
15	ProfiClear Classic Pumpenkammer	27175	Stopfen 150 ProfiClear	Plug 150 ProfiClear
22	ProfiClear Classic Pumpenkammer	35429	Ersatz Bitronstütze ProfiClear	Spare Bitron holder ProfiClear
23	ProfiClear Classic Pumpenkammer	35407	Ersatz Bodensieb inkl. Fuß ProfiClear	Spare base screen incl. foot ProfiClear
37	ProfiClear Classic Pumpenkammer	27171	Schieber DN 110	Slider DN 110

Produkt / Product

51064 ProfiClear Classic Grobschmutzabscheider

FILTER, UVC & BELÜFTUNG / FILTERS, UVC & AERATORS

MODULARE DURCHLAUFFILTER / MODULAR FLOW-THROUGH FILTERS



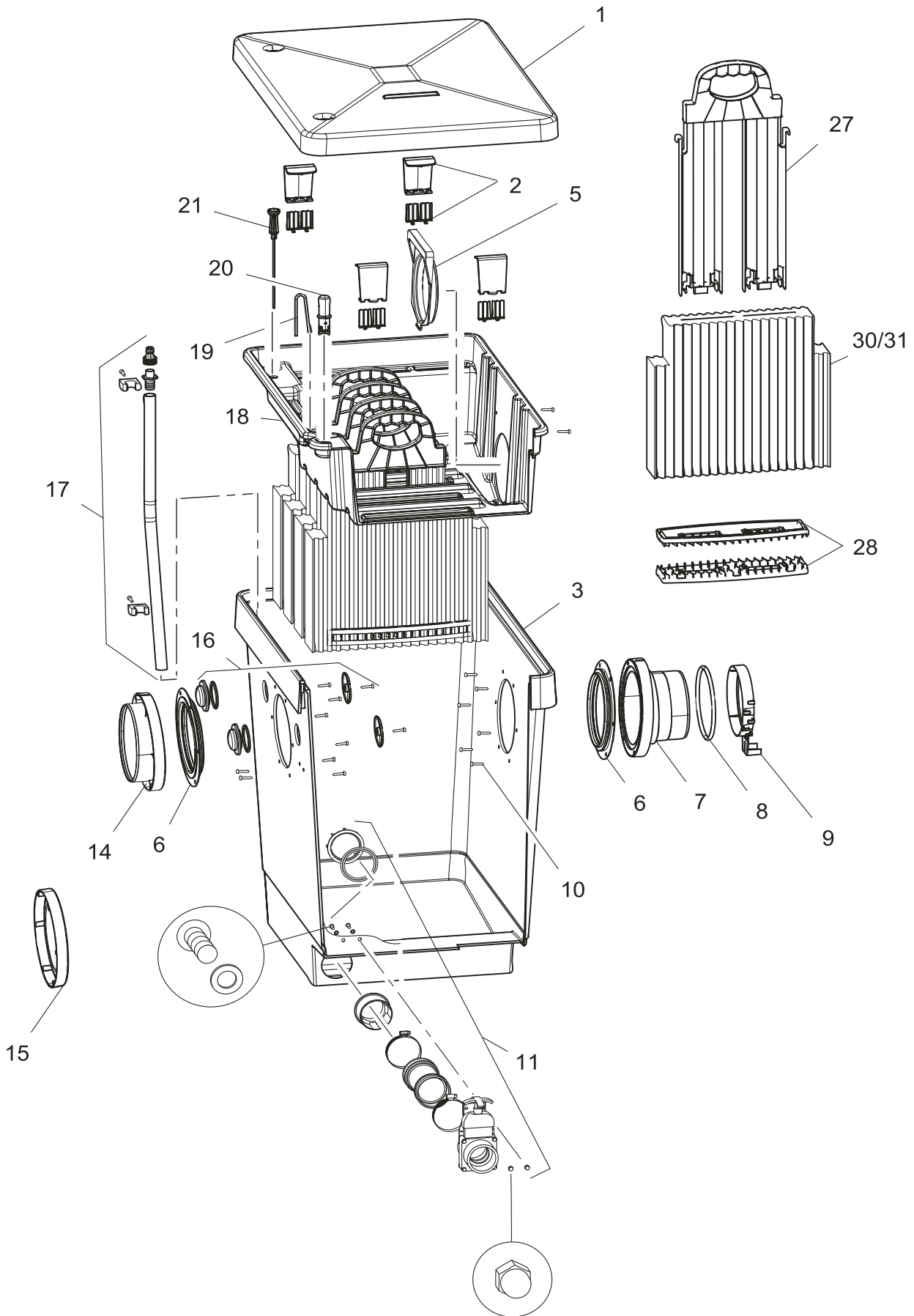
Pos.	Produkt / Product	Artikelnr. / Item no.	Ersatzteil	Spare part
1	ProfiClear Classic Grobschmutzabscheider	19333	Deckel ProfiClear Premium	Cover ProfiClear Premium
2	ProfiClear Classic Grobschmutzabscheider	35408	Ersatz Rasthaken 1 + 2 ProfiClear	Spare clip inner lid 1 + 2 ProfiClear
3	ProfiClear Classic Grobschmutzabscheider	18412	Behälter ProfiClear Classic Filtermodul	Filter box ProfiCl. Clas. filter module
5	ProfiClear Classic Grobschmutzabscheider	26960	Auslaufrastung ProfiClear M2 – M5	Outlet grid ProfiClear M2 – M5
6	ProfiClear Classic Grobschmutzabscheider	26957	Dichtung 150 verschraubt	Gasket 150 screwed
7	ProfiClear Classic Grobschmutzabscheider	26958	Auslauf 150/1 ProfiClear M2 – M5	Outlet 150/1 ProfiClear M2 – M5
8	ProfiClear Classic Grobschmutzabscheider	27669	O-Ring NBR 156 x 10 SH70	O-Ring NBR 156 x 10 SH70
9	ProfiClear Classic Grobschmutzabscheider	26968	Sauerstoffsteinhalter	Aeratorblock retainer
10	ProfiClear Classic Grobschmutzabscheider	27572	Linsenschraube CZ-V2A DIN 7981 6,3 x 32	Oval head screw CZ-V2A DIN 7981 6.3 x 32
11	ProfiClear Classic Grobschmutzabscheider	18446	Ersatz Abfluss DN75 Premium	Spare drain DN75 Premium
14	ProfiClear Classic Grobschmutzabscheider	26987	Auslauf 150/2 ProfiClear M2 – M5	Outlet 150/2 ProfiClear M2 – M5
15	ProfiClear Classic Grobschmutzabscheider	27175	Stopfen 150 ProfiClear	Plug 150 ProfiClear
16	ProfiClear Classic Grobschmutzabscheider	19325	BG Stopfen kpl. Modulfilter 1½"	ASM plug cpl. module filter 1½"
17	ProfiClear Classic Grobschmutzabscheider	35411	Ersatz Sprüheinrichtung ProfiClear	Spare spray unit ProfiClear
18	ProfiClear Classic Grobschmutzabscheider	26966	Innendeckel Screenex	Inner cover Screenex
19	ProfiClear Classic Grobschmutzabscheider	27172	Luftanschluss ProfiClear	Air connection ProfiClear
20	ProfiClear Classic Grobschmutzabscheider	35409	Ersatz Wasserstandsanzeige ProfiClear	Spare water level indicator ProfiClear
21	ProfiClear Classic Grobschmutzabscheider	35410	Ersatz Thermometer mit Stütze ProfiClear	Spare thermometer with clip ProfiClear
24	ProfiClear Classic Grobschmutzabscheider	35873	BG Zylinderhalter ProfiClear M2	ASM cylinder retainer ProfiClear M2
25	ProfiClear Classic Grobschmutzabscheider	27173	BG Zylinder Screenex Proficlear	ASM cylinder screenex ProfiClear
26	ProfiClear Classic Grobschmutzabscheider	26972	Bürste Screenex Zylinder ProfiClear M2	Brush Screenex cylinder ProfiClear M2
38	ProfiClear Classic Grobschmutzabscheider	26979	Drehgriff Screenex Zylinder ProfiClear M2	Turning handle Sreenex cylin. ProfiClear M2

Produkt / Product

51065 ProfiClear Classic Filterschaummodul

FILTER, UVC & BELÜFTUNG / FILTERS, UVC & AERATORS

MODULARE DURCHLAUFILTER / MODULAR FLOW-THROUGH FILTERS



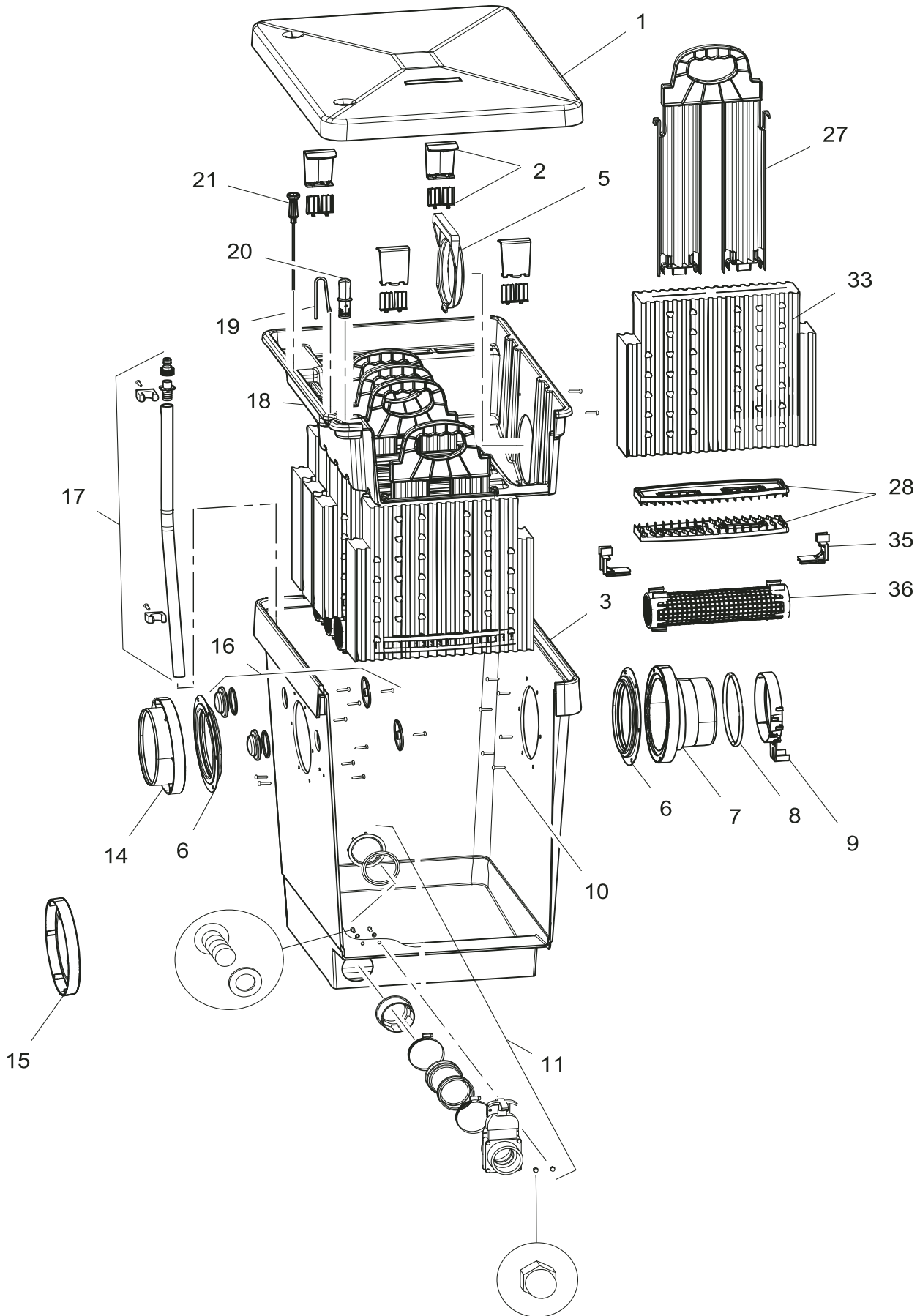
Pos.	Produkt / Product	Artikelnr. / Item no.	Ersatzteil	Spare part
1	ProfiClear Classic Filterschaum-modul	19333	Deckel ProfiClear Premium	Cover ProfiClear Premium
2	ProfiClear Classic Filterschaum-modul	35408	Ersatz Rasthaken 1 + 2 ProfiClear	Spare clip inner lid 1 + 2 ProfiClear
3	ProfiClear Classic Filterschaum-modul	18412	Behälter ProfiClear Classic Filtermodul	Filter box ProfiClear Classic filter module
5	ProfiClear Classic Filterschaum-modul	26960	Auslaufrastung ProfiClear M2 – M5	Outlet grid ProfiClear M2 – M5
6	ProfiClear Classic Filterschaum-modul	26957	Dichtung 150 verschraubt	Gasket 150 screwed
7	ProfiClear Classic Filterschaum-modul	26958	Auslauf 150/1 ProfiClear M2 – M5	Outlet 150/1 ProfiClear M2 – M5
8	ProfiClear Classic Filterschaum-modul	27669	O-Ring NBR 156 x 10 SH70	O-Ring NBR 156 x 10 SH70
9	ProfiClear Classic Filterschaum-modul	26968	Sauerstoffsteinhalter	Aeratorblock retainer
10	ProfiClear Classic Filterschaum-modul	27572	Linsenschraube CZ-V2A DIN 7981 6,3 x 32	Oval head screw CZ-V2A DIN 7981 6.3 x 32
11	ProfiClear Classic Filterschaum-modul	18446	Ersatz Abfluss DN75 Premium	Spare drain DN75 Premium
14	ProfiClear Classic Filterschaum-modul	26987	Auslauf 150/2 ProfiClear M2 – M5	Outlet 150/2 ProfiClear M2 – M5
15	ProfiClear Classic Filterschaum-modul	27175	Stopfen 150 ProfiClear	Plug 150 ProfiClear
16	ProfiClear Classic Filterschaum-modul	19325	BG Stopfen kpl. Modulfilter 1½"	ASM plug cpl. module filter 1½"
17	ProfiClear Classic Filterschaum-modul	35411	Ersatz Sprüheinrichtung ProfiClear	Spare spray unit ProfiClear
18	ProfiClear Classic Filterschaum-modul	26981	Innendeckel Schaum ProfiClear M3 – M 5	Inner cover foam ProfiClear M3 – M 5
19	ProfiClear Classic Filterschaum-modul	27172	Luftanschluss ProfiClear	Air connection ProfiClear
20	ProfiClear Classic Filterschaum-modul	35409	Ersatz Wasserstandsanzeige ProfiClear	Spare water level indicator ProfiClear
21	ProfiClear Classic Filterschaum-modul	35410	Ersatz Thermometer mit Stütze ProfiClear	Spare thermometer with clip ProfiClear
27	ProfiClear Classic Filterschaum-modul	6 x 26982	Schaumhalter ProfiClear	Foam holder ProfiClear
28	ProfiClear Classic Filterschaum-modul	12 x 27176	Platte Schaumhalter ProfiClear	Foam holder plate ProfiClear
30	ProfiClear Classic Filterschaum-modul	3 x 27295	Ersatzschwamm rot ProfiClear M3	Repl. foam red ProfiClear M3
31	ProfiClear Classic Filterschaum-modul	3 x 26983	Ersatzschwamm blau breit ProfiClear M3	Repl. foam blue wide ProfiClear M3

Produkt / Product

51066 ProfiClear Classic Phosphatbinder Modul

FILTER, UVC & BELÜFTUNG / FILTERS, UVC & AERATORS

MODULARE DURCHLAUFILTER / MODULAR FLOW-THROUGH FILTERS

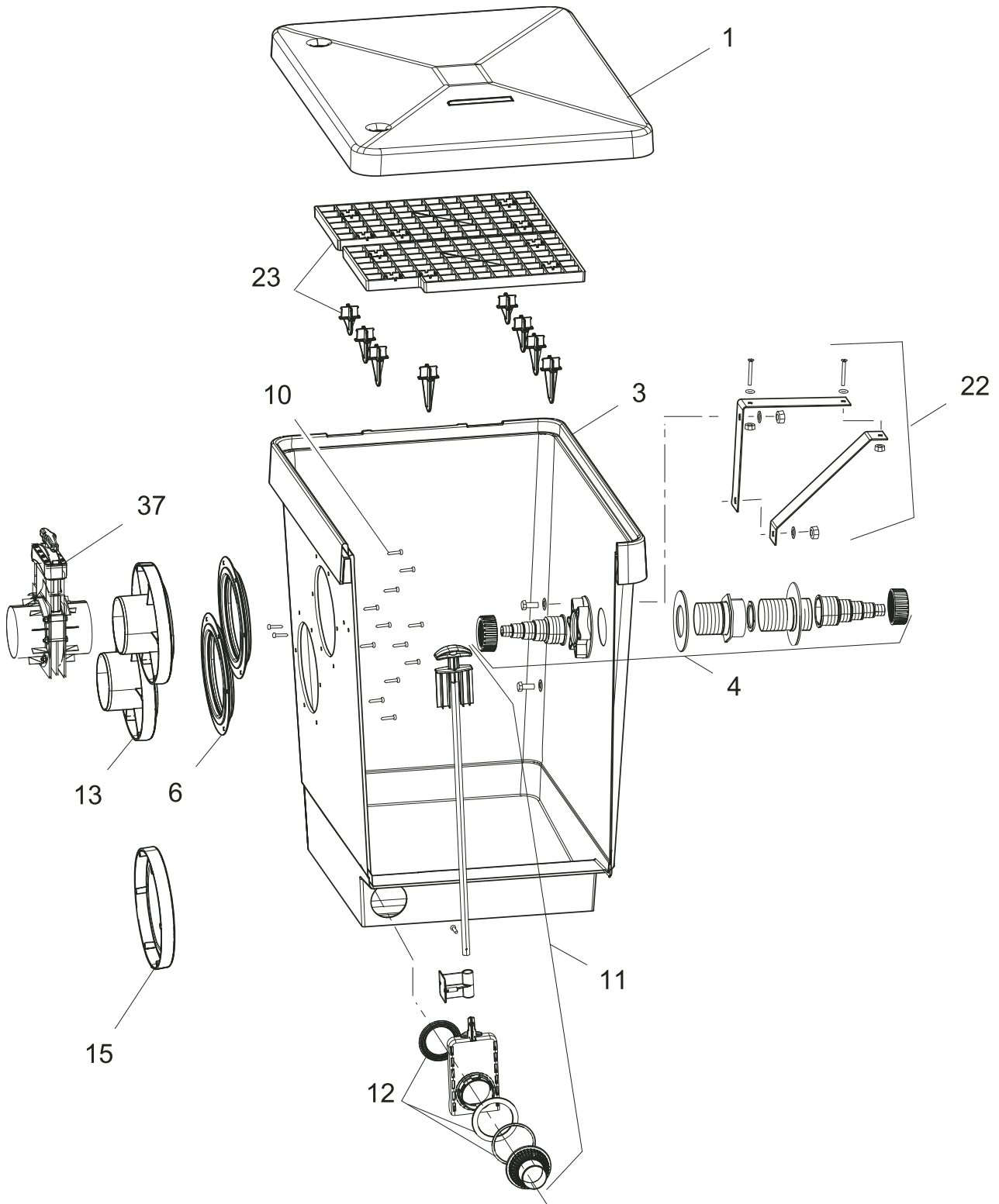




Pos.	Produkt / Product	Artikelnr. / Item no.	Ersatzteil	Spare part
1	ProfiClear Classic Phosphatbinder Modul	19333	Deckel ProfiClear Premium	Cover ProfiClear Premium
2	ProfiClear Classic Phosphatbinder Modul	35408	Ersatz Rasthaken 1 + 2 ProfiClear	Spare clip inner lid 1 + 2 ProfiClear
3	ProfiClear Classic Phosphatbinder Modul	18412	Behälter ProfiClear Classic Filtermodul	Filter box ProfiClear Classic filter module
5	ProfiClear Classic Phosphatbinder Modul	26960	Auslaufrastung ProfiClear M2 – M5	Outlet grid ProfiClear M2 – M5
6	ProfiClear Classic Phosphatbinder Modul	26957	Dichtung 150 verschraubt	Gasket 150 screwed
7	ProfiClear Classic Phosphatbinder Modul	26958	Auslauf 150/1 ProfiClear M2 – M5	Outlet 150/1 ProfiClear M2 – M5
8	ProfiClear Classic Phosphatbinder Modul	27669	O-Ring NBR 156 x 10 SH70	O-Ring NBR 156 x 10 SH70
9	ProfiClear Classic Phosphatbinder Modul	26968	Sauerstoffsteinhalter	Aeratorblock retainer
10	ProfiClear Classic Phosphatbinder Modul	27572	Linsenschraube CZ-V2A DIN 7981 6,3 x 32	Oval head screw CZ-V2A DIN 7981 6.3 x 32
11	ProfiClear Classic Phosphatbinder Modul	18446	Ersatz Abfluss DN75 Premium	Spare drain DN75 Premium
14	ProfiClear Classic Phosphatbinder Modul	26987	Auslauf 150/2 ProfiClear M2 – M5	Outlet 150/2 ProfiClear M2 – M5
15	ProfiClear Classic Phosphatbinder Modul	27175	Stopfen 150 ProfiClear	Plug 150 ProfiClear
16	ProfiClear Classic Phosphatbinder Modul	19325	BG Stopfen kpl. Modulfilter 1½"	ASM plug cpl. module filter 1½"
17	ProfiClear Classic Phosphatbinder Modul	35411	Ersatz Sprüheinrichtung ProfiClear	Spare spray unit ProfiClear
18	ProfiClear Classic Phosphatbinder Modul	26981	Innendeckel Schaum ProfiClear M3 – M 5	Inner cover foam ProfiClear M3 – M 5
19	ProfiClear Classic Phosphatbinder Modul	27172	Luftanschluss ProfiClear	Air connection ProfiClear
20	ProfiClear Classic Phosphatbinder Modul	35409	Ersatz Wasserstandsanzeige ProfiClear	Spare water level indicator ProfiClear
21	ProfiClear Classic Phosphatbinder Modul	35410	Ersatz Thermometer mit Stütze ProfiClear	Spare thermometer with clip ProfiClear
27	ProfiClear Classic Phosphatbinder Modul	26982	Schaumhalter ProfiClear	Foam holder ProfiClear
28	ProfiClear Classic Phosphatbinder Modul	27176	Platte Schaumhalter ProfiClear	Foam holder plate ProfiClear
33	ProfiClear Classic Phosphatbinder Modul	27297	Ersatzschwamm schw. breit ProfiClear M5	Repl. foam black wide ProfiClear M5
35	ProfiClear Classic Phosphatbinder Modul	8 x 27213	PhosLesshaken ProfiClear	PhosLess clamp ProfiClear
36	ProfiClear Classic Phosphatbinder Modul	4 x 36981	AquaActiv PhosLess Algenschutz	AquaActiv PhosLess Algae protection

Produkt / Product

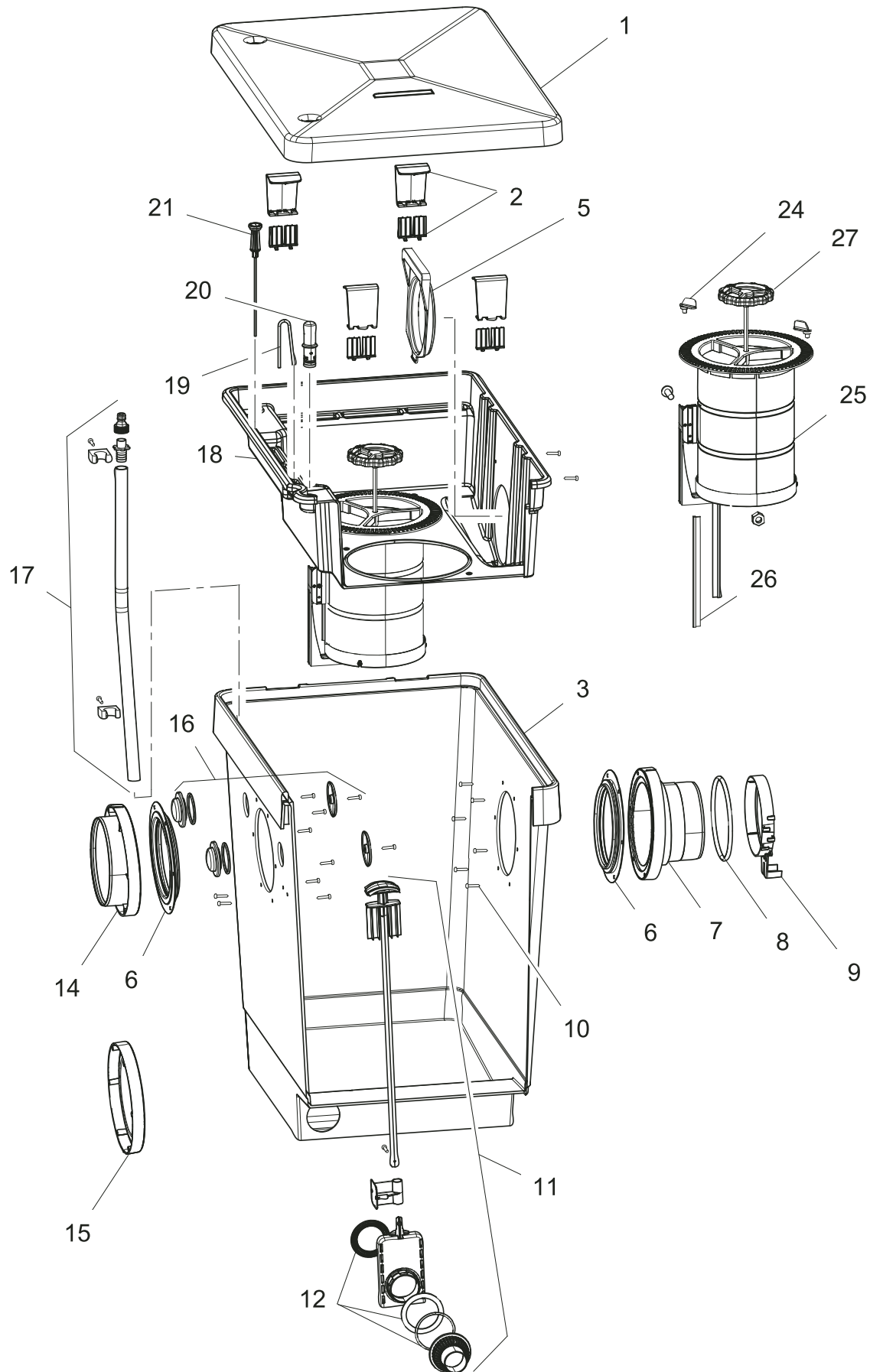
56897 ProfiClear Classic Pumpenkammer



Pos.	Produkt / Product	Artikelnr. / Item no.	Ersatzteil	Spare part
1	ProfiClear Classic Pumpenkammer	19333	Deckel ProfiClear Premium	Cover ProfiClear Premium
3	ProfiClear Classic Pumpenkammer	27278	Behälter ProfiClear M1	Filter box ProfiClear M1
4	ProfiClear Classic Pumpenkammer	35405	Ersatz Anschlussset ProfiClear	Spare part connection set ProfiClear
6	ProfiClear Classic Pumpenkammer	26957	Dichtung 150 verschraubt	Gasket 150 screwed
10	ProfiClear Classic Pumpenkammer	27572	Linsenschraube CZ-V2A DIN 7981 6,3 x 32	Oval head screw CZ-V2A DIN 7981 6.3 x 32
11	ProfiClear Classic Pumpenkammer	35406	Ersatz Ablaufset ProfiClear	Spare drain ASM ProfiClear
12	ProfiClear Classic Pumpenkammer	34859	Dichtungsset Ablauf BioTec 12 – 18 / M1 – M5	Gasket set outlet BioTec 12 – 18 / M1 – M5
13	ProfiClear Classic Pumpenkammer	26963	Einlaufstutzen 100	Intake 100
15	ProfiClear Classic Pumpenkammer	27175	Stopfen 150 ProfiClear	Plug 150 ProfiClear
22	ProfiClear Classic Pumpenkammer	35429	Ersatz Bitronstütze ProfiClear	Spare Bitron holder ProfiClear
23	ProfiClear Classic Pumpenkammer	35407	Ersatz Bodensieb inkl. Fuß ProfiClear	Spare base screen incl. foot ProfiClear
37	ProfiClear Classic Pumpenkammer	27171	Schieber DN 110	Slider DN 110

Produkt / Product

37108 ProfiClear Classic Grobschmutzabscheider



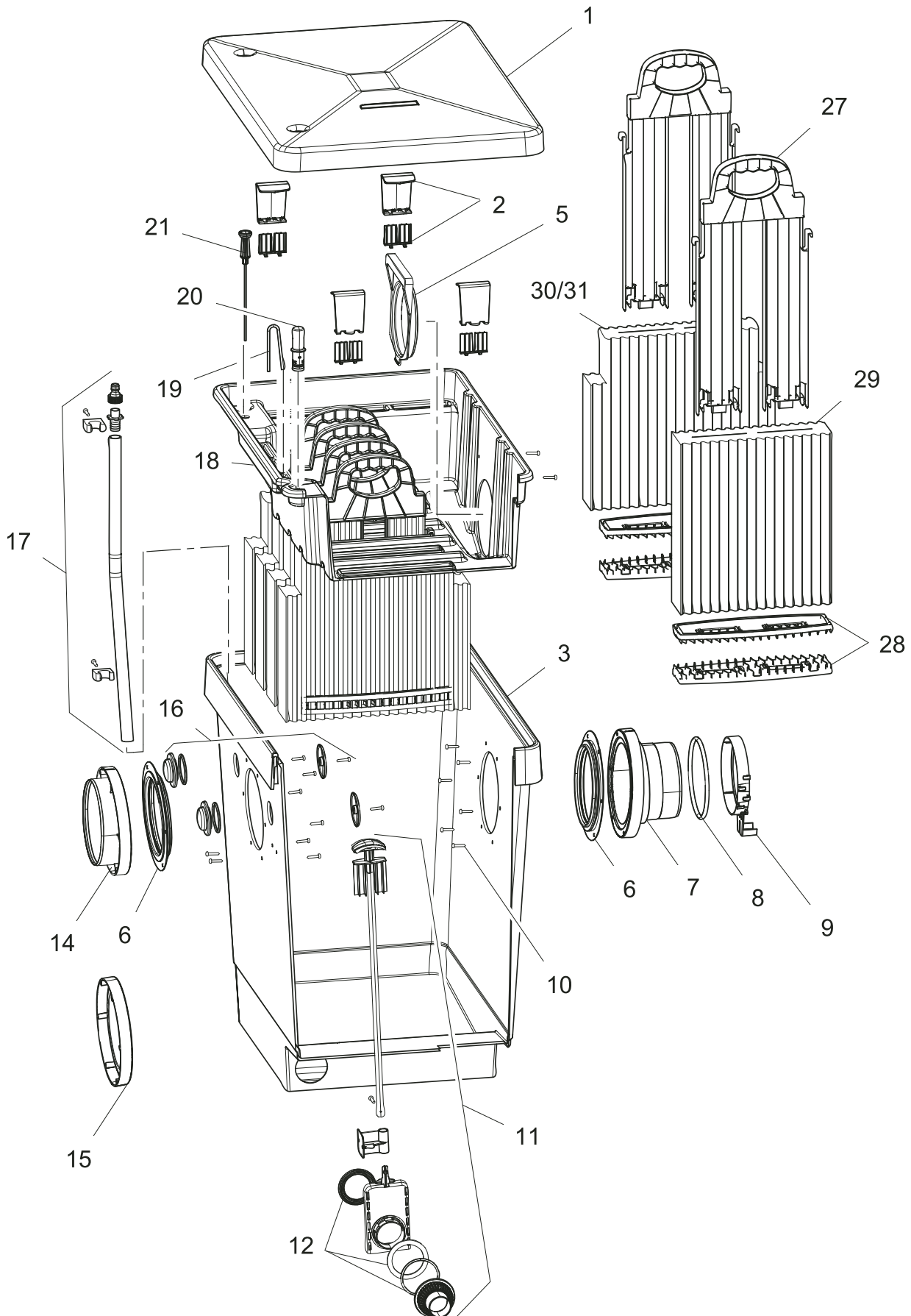
Pos.	Produkt / Product	Artikelnr. / Item no.	Ersatzteil	Spare part
1	ProfiClear Classic Grobschmutzabscheider	19333	Deckel ProfiClear Premium	Cover ProfiClear Premium
2	ProfiClear Classic Grobschmutzabscheider	4 x 35408	Ersatz Rasthaken 1 + 2 ProfiClear	Spare clip inner lid 1 + 2 ProfiClear
3	ProfiClear Classic Grobschmutzabscheider	26764	Behälter ProfiClear M2 – M5	Filter box ProfiClear M2 – M5
5	ProfiClear Classic Grobschmutzabscheider	26960	Auslaufrastung ProfiClear M2 – M5	Outlet grid ProfiClear M2 – M5
6	ProfiClear Classic Grobschmutzabscheider	26957	Dichtung 150 verschraubt	Gasket 150 screwed
7	ProfiClear Classic Grobschmutzabscheider	26958	Auslauf 150/1 ProfiClear M2 – M5	Outlet 150/1 ProfiClear M2 – M5
8	ProfiClear Classic Grobschmutzabscheider	27669	O-Ring NBR 156 x 10 SH70	O-Ring NBR 156 x 10 SH70
9	ProfiClear Classic Grobschmutzabscheider	26968	Sauerstoffsteinhalter	Aeratorblock retainer
10	ProfiClear Classic Grobschmutzabscheider	27572	Linsenschraube CZ-V2A DIN 7981 6,3 x 32	Oval head screw CZ-V2A DIN 7981 6.3 x 32
11	ProfiClear Classic Grobschmutzabscheider	35406	Ersatz Ablaufset ProfiClear	Spare drain ASM ProfiClear
12	ProfiClear Classic Grobschmutzabscheider	34859	Dichtungssset Ablauf BioTec 12 – 18 / M1 – M5	Gasket set outlet BioTec 12 – 18 / M1 – M5
14	ProfiClear Classic Grobschmutzabscheider	26987	Auslauf 150/2 ProfiClear M2 – M5	Outlet 150/2 ProfiClear M2 – M5
15	ProfiClear Classic Grobschmutzabscheider	27175	Stopfen 150 ProfiClear	Plug 150 ProfiClear
16	ProfiClear Classic Grobschmutzabscheider	19325	BG Stopfen kpl. Modulfilter 1½"	ASM plug cpl. module filter 1½"
17	ProfiClear Classic Grobschmutzabscheider	35411	Ersatz Sprüheinrichtung ProfiClear	Spare spray unit ProfiClear
18	ProfiClear Classic Grobschmutzabscheider	26966	Innendeckel Screenex	Inner cover Screenex
19	ProfiClear Classic Grobschmutzabscheider	27172	Luftanschluss ProfiClear	Air connection ProfiClear
20	ProfiClear Classic Grobschmutzabscheider	35409	Ersatz Wasserstandsanzeige ProfiClear	Spare water level indicator ProfiClear
21	ProfiClear Classic Grobschmutzabscheider	35410	Ersatz Thermometer mit Stütze ProfiClear	Spare thermometer with clip ProfiClear
24	ProfiClear Classic Grobschmutzabscheider	35873	BG Zylinderhalter ProfiClear M2	ASM cylinder retainer ProfiClear M2
25	ProfiClear Classic Grobschmutzabscheider	27173	BG Zylinder Screenex Proficlear	ASM cylinder screenex ProfiClear
26	ProfiClear Classic Grobschmutzabscheider	26972	Bürste Screenex Zylinder ProfiClear M2	Brush Screenex cylinder ProfiClear M2
27	ProfiClear Classic Grobschmutzabscheider	26979	Drehgriff Screenex Zylinder ProfiClear M2	Turning handle Sreenex cylin. ProfiClear M2

Produkt / Product

37107 ProfiClear Classic Filterschaummodul

FILTER, UVC & BELÜFTUNG / FILTERS, UVC & AERATORS

MODULARE DURCHLAUFILTER / MODULAR FLOW-THROUGH FILTERS



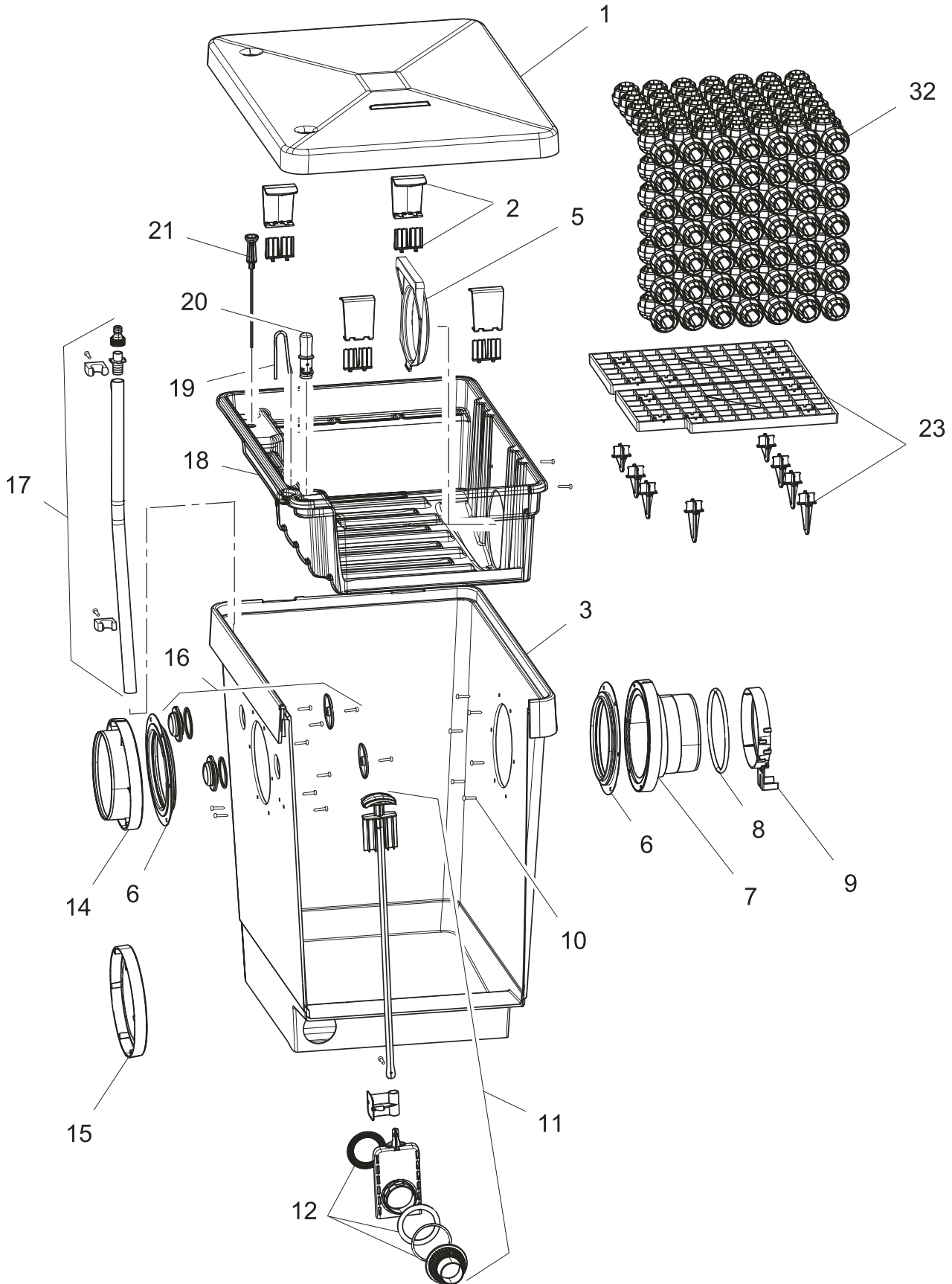
Pos.	Produkt / Product	Artikelnr. / Item no.	Ersatzteil	Spare part
1	ProfiClear Classic Filterschaum-modul	19333	Deckel ProfiClear Premium	Cover ProfiClear Premium
2	ProfiClear Classic Filterschaum-modul	4 x 35408	Ersatz Rasthaken 1 + 2 ProfiClear	Spare clip inner lid 1 + 2 ProfiClear
3	ProfiClear Classic Filterschaum-modul	26764	Behälter ProfiClear M2 – M5	Filter box ProfiClear M2 – M5
5	ProfiClear Classic Filterschaum-modul	26960	Auslaufrastung ProfiClear M2 – M5	Outlet grid ProfiClear M2 – M5
6	ProfiClear Classic Filterschaum-modul	26957	Dichtung 150 verschraubt	Gasket 150 screwed
7	ProfiClear Classic Filterschaum-modul	26958	Auslauf 150/1 ProfiClear M2 – M5	Outlet 150/1 ProfiClear M2 – M5
8	ProfiClear Classic Filterschaum-modul	27669	O-Ring NBR 156 x 10 SH70	O-Ring NBR 156 x 10 SH70
9	ProfiClear Classic Filterschaum-modul	26968	Sauerstoffsteinhalter	Aeratorblock retainer
10	ProfiClear Classic Filterschaum-modul	27572	Linsenschraube CZ-V2A DIN 7981 6,3 x 32	Oval head screw CZ-V2A DIN 7981 6.3 x 32
11	ProfiClear Classic Filterschaum-modul	35406	Ersatz Ablaufset ProfiClear	Spare drain ASM ProfiClear
12	ProfiClear Classic Filterschaum-modul	34859	Dichtungsset Ablauf BioTec 12 – 18 / M1 – M5	Gasket set outlet BioTec 12 – 18 / M1 – M5
14	ProfiClear Classic Filterschaum-modul	26987	Auslauf 150/2 ProfiClear M2 – M5	Outlet 150/2 ProfiClear M2 – M5
15	ProfiClear Classic Filterschaum-modul	27175	Stopfen 150 ProfiClear	Plug 150 ProfiClear
16	ProfiClear Classic Filterschaum-modul	19325	BG Stopfen kpl. Modulfilter 1½"	ASM plug cpl. module filter 1½"
17	ProfiClear Classic Filterschaum-modul	35411	Ersatz Sprüheinrichtung ProfiClear	Spare spray unit ProfiClear
18	ProfiClear Classic Filterschaum-modul	26981	Innendeckel Schaum ProfiClear M3 – M 5	Inner cover foam ProfiClear M3 – M 5
19	ProfiClear Classic Filterschaum-modul	27172	Luftanschluss ProfiClear	Air connection ProfiClear
20	ProfiClear Classic Filterschaum-modul	35409	Ersatz Wasserstandsanzeige ProfiClear	Spare water level indicator ProfiClear
21	ProfiClear Classic Filterschaum-modul	35410	Ersatz Thermometer mit Stütze ProfiClear	Spare thermometer with clip ProfiClear
27	ProfiClear Classic Filterschaum-modul	6 x 26982	Schaumhalter ProfiClear	Foam holder ProfiClear
28	ProfiClear Classic Filterschaum-modul	12 x 27176	Platte Schaumhalter ProfiClear	Foam holder plate ProfiClear
29	ProfiClear Classic Filterschaum-modul	26984	Ersatzschwamm blau schmal ProfiClear M3	Repl. foam blue narrow ProfiClear M3
30	ProfiClear Classic Filterschaum-modul	3 x 27295	Ersatzschwamm rot ProfiClear M3	Repl. foam red ProfiClear M3
31	ProfiClear Classic Filterschaum-modul	2 x 26983	Ersatzschwamm blau breit ProfiClear M3	Repl. foam blue wide ProfiClear M3

Produkt / Product

37144 ProfiClear M4 Bioballs Filtermodul

FILTER, UVC & BELÜFTUNG / FILTERS, UVC & AERATORS

MODULARE DURCHLAUFILTER / MODULAR FLOW-THROUGH FILTERS





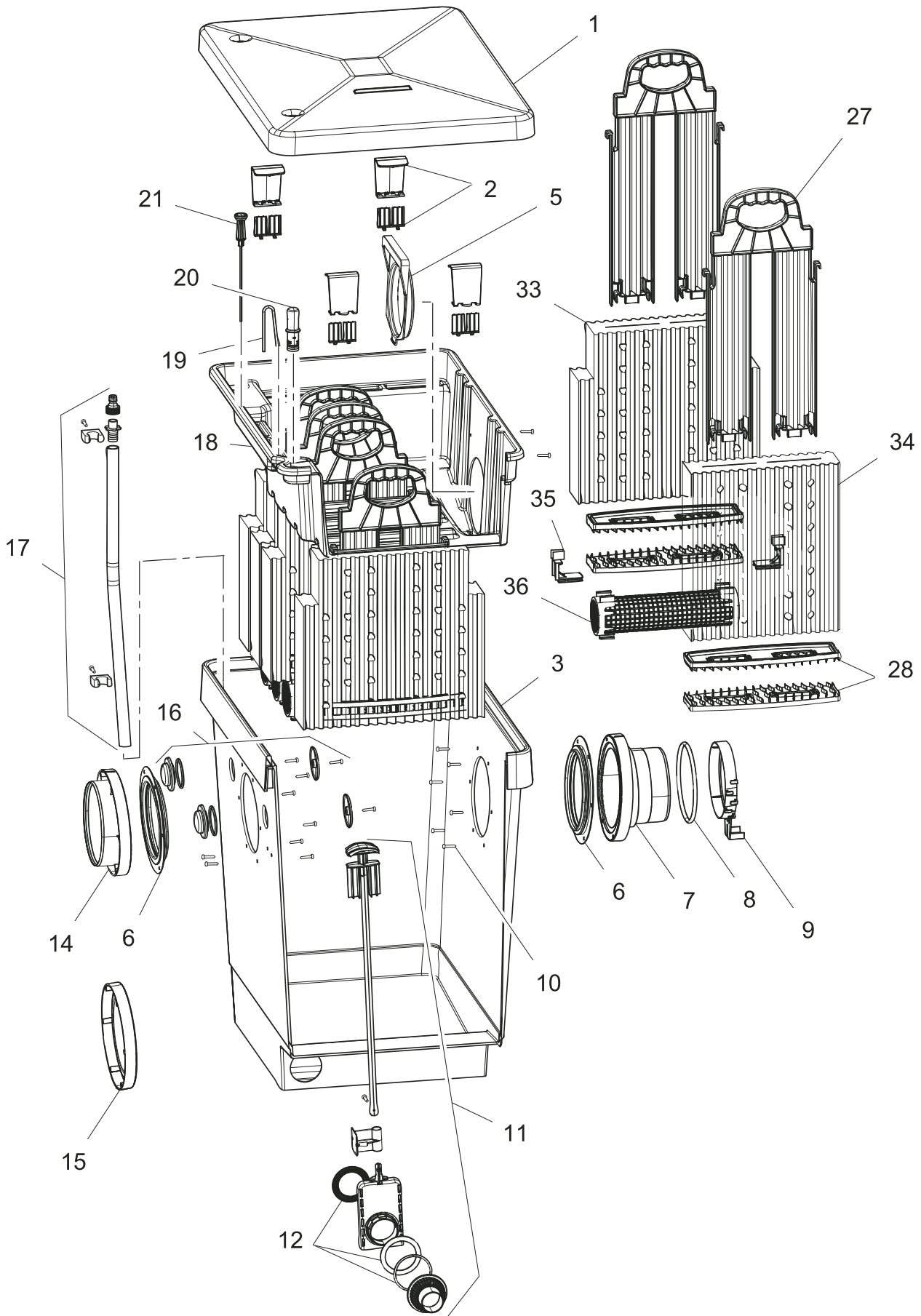
Pos.	Produkt / Product	Artikelnr. / Item no.	Ersatzteil	Spare part
1	ProfiClear M4 Bioballs Filtermodul	19333	Deckel ProfiClear Premium	Cover ProfiClear Premium
2	ProfiClear M4 Bioballs Filtermodul	4 x 35408	Ersatz Rasthaken 1 + 2 ProfiClear	Spare clip inner lid 1 + 2 ProfiClear
3	ProfiClear M4 Bioballs Filtermodul	26764	Behälter ProfiClear M2 – M5	Filter box ProfiClear M2 – M5
5	ProfiClear M4 Bioballs Filtermodul	26960	Auslaufrastung ProfiClear M2 – M5	Outlet grid ProfiClear M2 – M5
6	ProfiClear M4 Bioballs Filtermodul	26957	Dichtung 150 verschraubt	Gasket 150 screwed
7	ProfiClear M4 Bioballs Filtermodul	26958	Auslauf 150/1 ProfiClear M2 – M5	Outlet 150/1 ProfiClear M2 – M5
8	ProfiClear M4 Bioballs Filtermodul	27669	O-Ring NBR 156 x 10 SH70	O-Ring NBR 156 x 10 SH70
9	ProfiClear M4 Bioballs Filtermodul	26968	Sauerstoffsteinhalter	Aeratorblock retainer
10	ProfiClear M4 Bioballs Filtermodul	27572	Linsenschraube CZ-V2A DIN 7981 6,3 x 32	Oval head screw CZ-V2A DIN 7981 6.3 x 32
11	ProfiClear M4 Bioballs Filtermodul	35406	Ersatz Ablaufset ProfiClear	Spare drain ASM ProfiClear
12	ProfiClear M4 Bioballs Filtermodul	34859	Dichtungsset Ablauf BioTec 12 – 18 / M1 – M5	Gasket set outlet BioTec 12 – 18 / M1 – M5
14	ProfiClear M4 Bioballs Filtermodul	26987	Auslauf 150/2 ProfiClear M2 – M5	Outlet 150/2 ProfiClear M2 – M5
15	ProfiClear M4 Bioballs Filtermodul	27175	Stopfen 150 ProfiClear	Plug 150 ProfiClear
16	ProfiClear M4 Bioballs Filtermodul	19325	BG Stopfen kpl. Modulfilter 1½"	ASM plug cpl. module filter 1½"
17	ProfiClear M4 Bioballs Filtermodul	35411	Ersatz Sprüheinrichtung ProfiClear	Spare spray unit ProfiClear
18	ProfiClear M4 Bioballs Filtermodul	26981	Innendeckel Schaum ProfiClear M3 – M 5	Inner cover foam ProfiClear M3 – M 5
19	ProfiClear M4 Bioballs Filtermodul	27172	Luftanschluss ProfiClear	Air connection ProfiClear
20	ProfiClear M4 Bioballs Filtermodul	35409	Ersatz Wasserstandsanzeige ProfiClear	Spare water level indicator ProfiClear
21	ProfiClear M4 Bioballs Filtermodul	35410	Ersatz Thermometer mit Stütze ProfiClear	Spare thermometer with clip ProfiClear
23	ProfiClear M4 Bioballs Filtermodul	35407	Ersatz Bodensieb inkl. Fuß ProfiClear	Spare base screen incl. foot ProfiClear
32	ProfiClear M4 Bioballs Filtermodul	10549	Ersatz Bioballs ProfiClear M4	Spare part Bioballs ProfiClear M4

Produkt / Product

37109 ProfiClear Classic Phosphatbinder Modul

FILTER, UVC & BELÜFTUNG / FILTERS, UVC & AERATORS

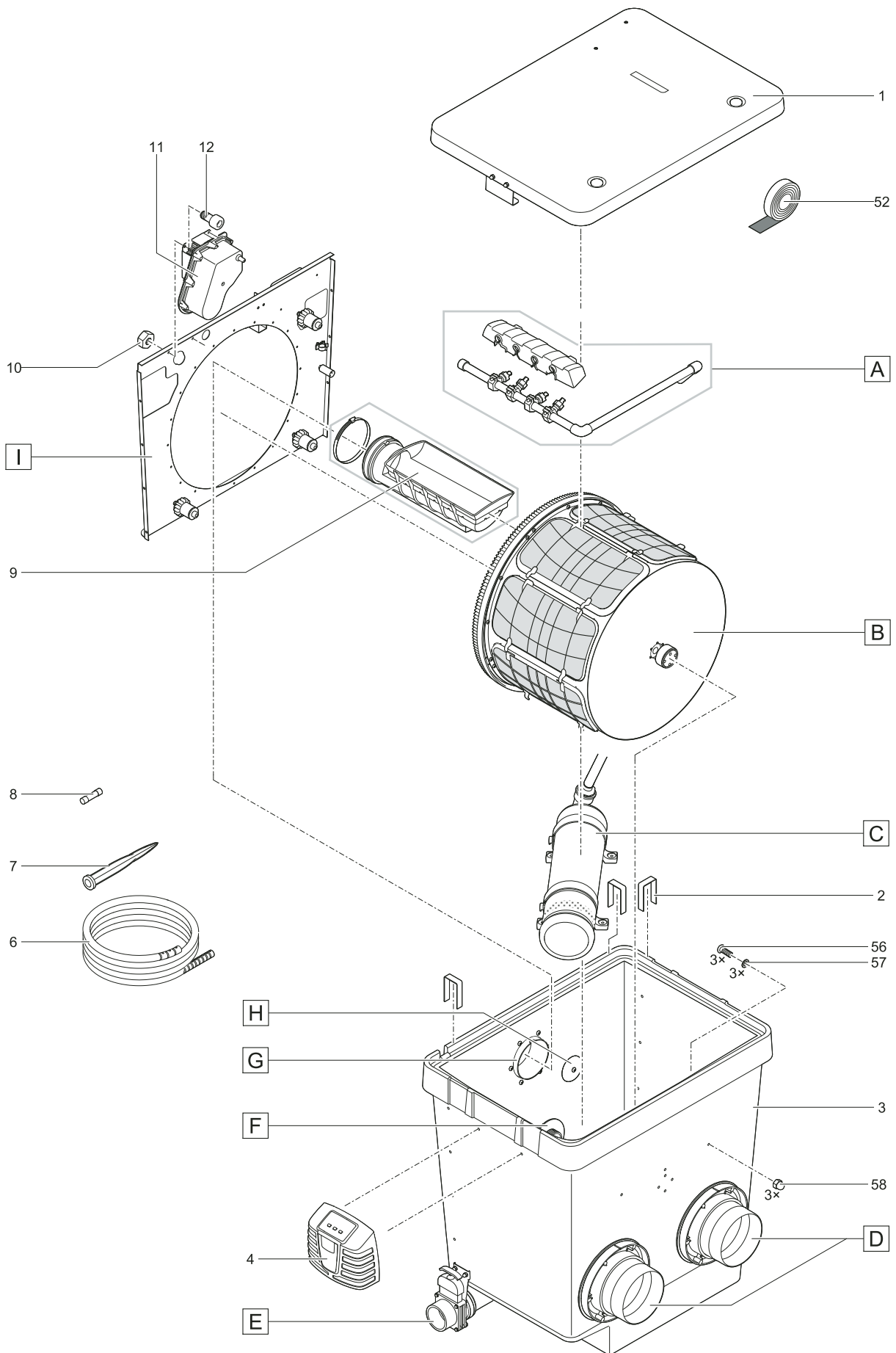
MODULARE DURCHLAUFFILTER / MODULAR FLOW-THROUGH FILTERS

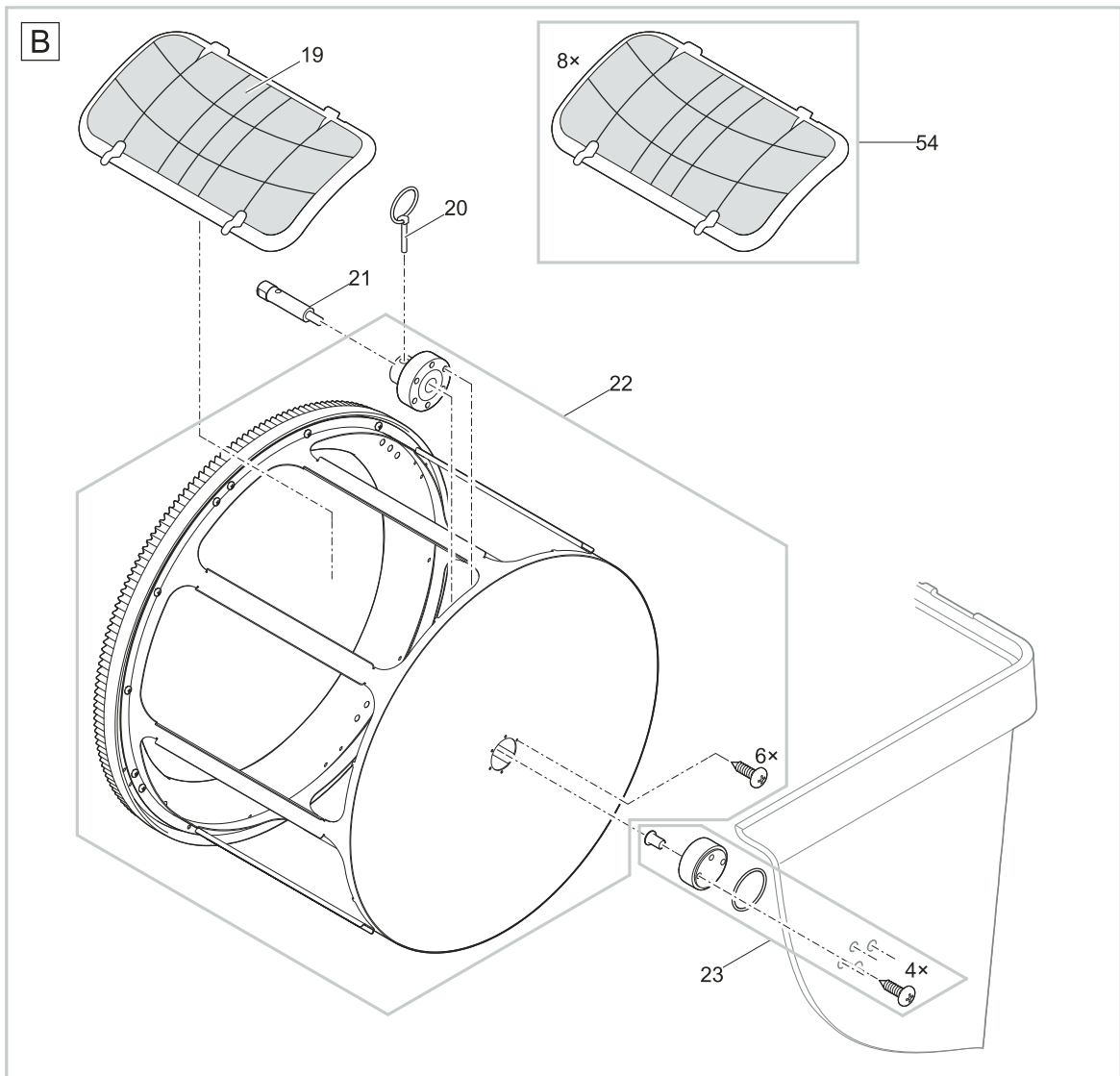
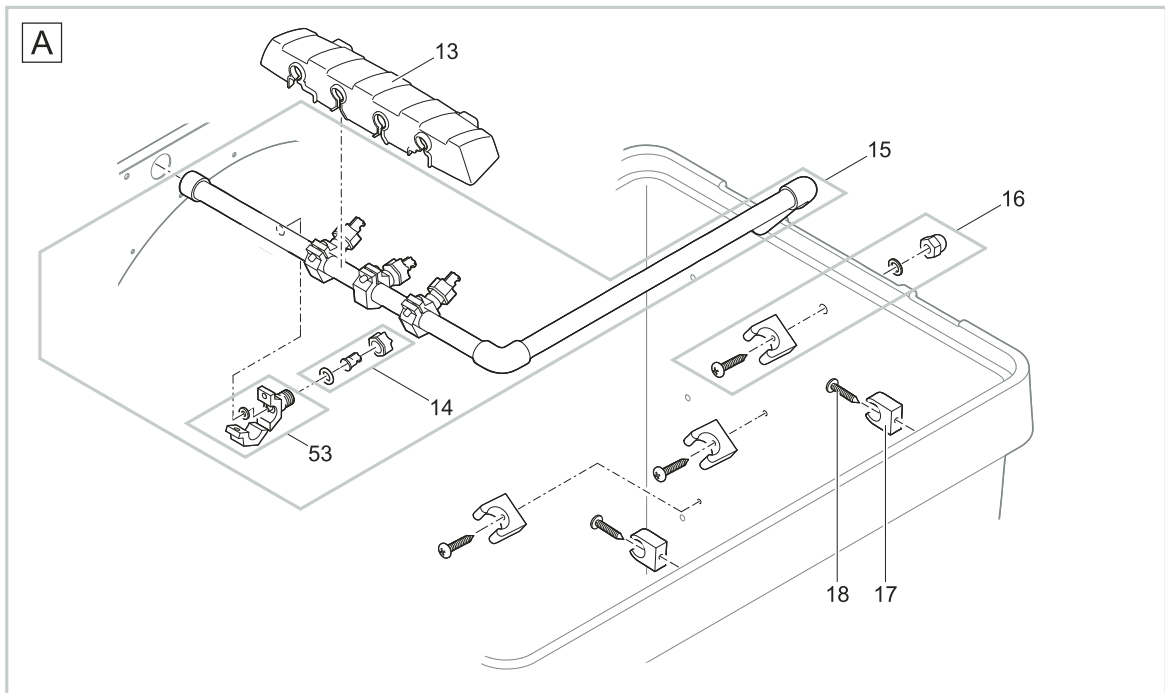


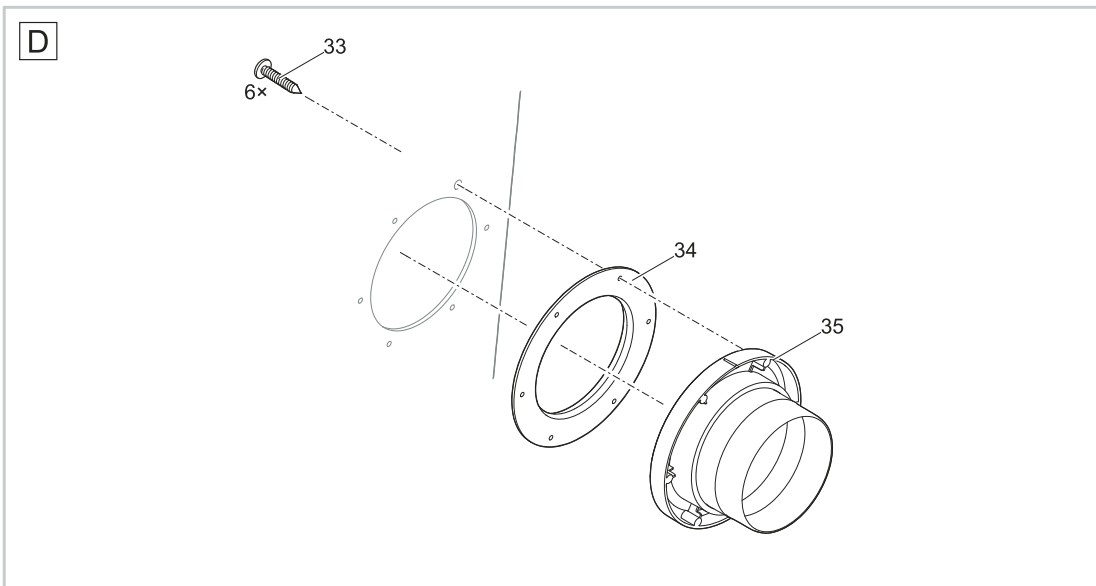
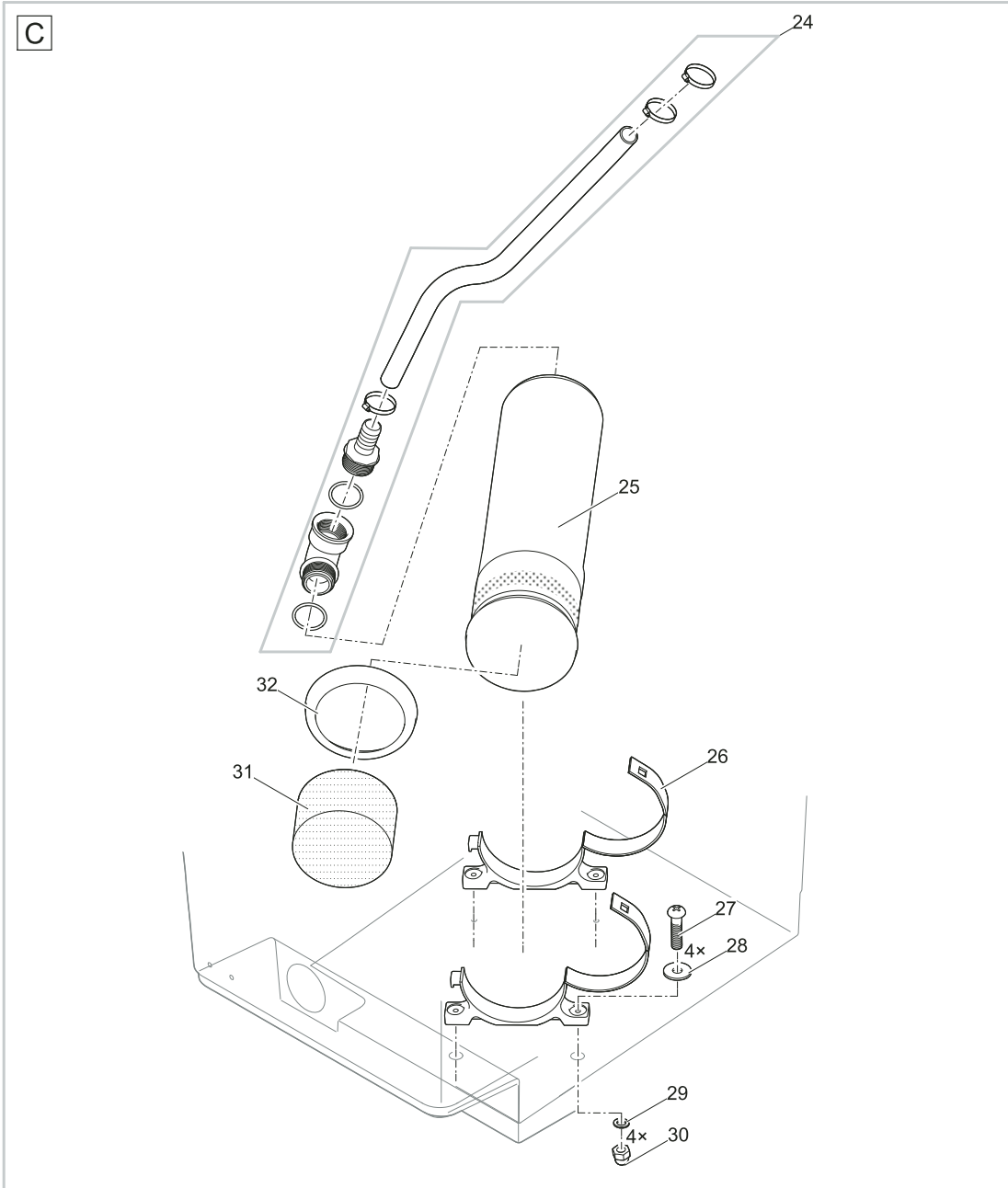
Pos.	Produkt / Product	Artikelnr. / Item no.	Ersatzteil	Spare part
1	ProfiClear Classic Phosphatbinder Modul	19333	Deckel ProfiClear Premium	Cover ProfiClear Premium
2	ProfiClear Classic Phosphatbinder Modul	4 x 35408	Ersatz Rasthaken 1 + 2 ProfiClear	Spare clip inner lid 1 + 2 ProfiClear
3	ProfiClear Classic Phosphatbinder Modul	26764	Behälter ProfiClear M2 – M5	Filter box ProfiClear M2 – M5
5	ProfiClear Classic Phosphatbinder Modul	26960	Auslaufrastung ProfiClear M2 – M5	Outlet grid ProfiClear M2 – M5
6	ProfiClear Classic Phosphatbinder Modul	26957	Dichtung 150 verschraubt	Gasket 150 screwed
7	ProfiClear Classic Phosphatbinder Modul	26958	Auslauf 150/1 ProfiClear M2 – M5	Outlet 150/1 ProfiClear M2 – M5
8	ProfiClear Classic Phosphatbinder Modul	27669	O-Ring NBR 156 x 10 SH70	O-Ring NBR 156 x 10 SH70
9	ProfiClear Classic Phosphatbinder Modul	26968	Sauerstoffsteinhalter	Aeratorblock retainer
10	ProfiClear Classic Phosphatbinder Modul	27572	Linsenschraube CZ-V2A DIN 7981 6,3 x 32	Oval head screw CZ-V2A DIN 7981 6.3 x 32
11	ProfiClear Classic Phosphatbinder Modul	35406	Ersatz Ablaufset ProfiClear	Spare drain ASM ProfiClear
12	ProfiClear Classic Phosphatbinder Modul	34859	Dichtungsset Ablauf BioTec 12 – 18 / M1 – M5	Gasket set outlet BioTec 12 – 18 / M1 – M5
14	ProfiClear Classic Phosphatbinder Modul	26987	Auslauf 150/2 ProfiClear M2 – M5	Outlet 150/2 ProfiClear M2 – M5
15	ProfiClear Classic Phosphatbinder Modul	27175	Stopfen 150 ProfiClear	Plug 150 ProfiClear
16	ProfiClear Classic Phosphatbinder Modul	19325	BG Stopfen kpl. Modulfilter 1½"	ASM plug cpl. module filter 1½"
17	ProfiClear Classic Phosphatbinder Modul	35411	Ersatz Sprüheinrichtung ProfiClear	Spare spray unit ProfiClear
18	ProfiClear Classic Phosphatbinder Modul	26981	Innendeckel Schaum ProfiClear M3 – M 5	Inner cover foam ProfiClear M3 – M 5
19	ProfiClear Classic Phosphatbinder Modul	27172	Luftanschluss ProfiClear	Air connection ProfiClear
20	ProfiClear Classic Phosphatbinder Modul	35409	Ersatz Wasserstandsanzeige ProfiClear	Spare water level indicator ProfiClear
21	ProfiClear Classic Phosphatbinder Modul	35410	Ersatz Thermometer mit Stütze ProfiClear	Spare thermometer with clip ProfiClear
27	ProfiClear Classic Phosphatbinder Modul	26982	Schaumhalter ProfiClear	Foam holder ProfiClear
28	ProfiClear Classic Phosphatbinder Modul	12 x 27176	Platte Schaumhalter ProfiClear	Foam holder plate ProfiClear
33	ProfiClear Classic Phosphatbinder Modul	5 x 27297	Ersatzschwamm schw. breit ProfiClear M5	Repl. foam black wide ProfiClear M5
34	ProfiClear Classic Phosphatbinder Modul	27296	Ersatzschwamm schw. schmal ProfiClear M5	Repl. foam black narrow ProfiClear M5
35	ProfiClear Classic Phosphatbinder Modul	8 x 27213	PhosLesshaken ProfiClear	PhosLess clamp ProfiClear
36	ProfiClear Classic Phosphatbinder Modul	2 x 36981	AquaActiv PhosLess Algenschutz	AquaActiv PhosLess Algae protection

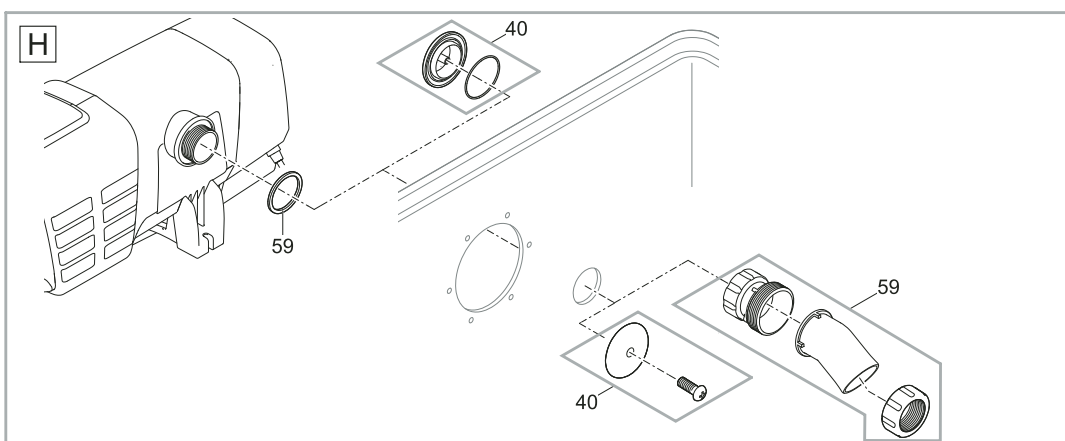
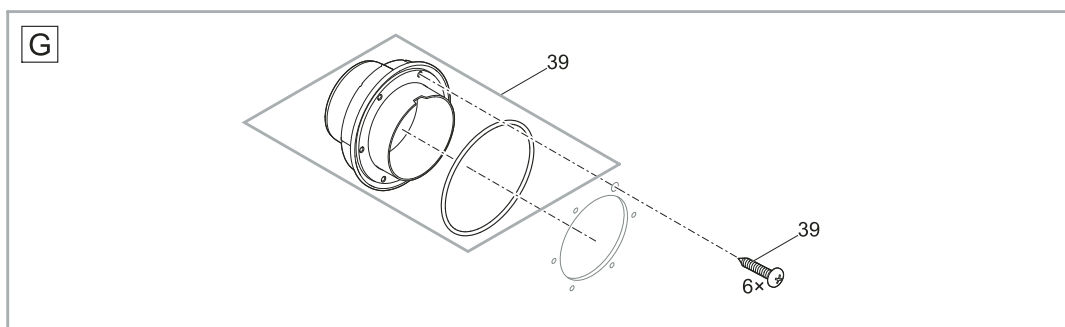
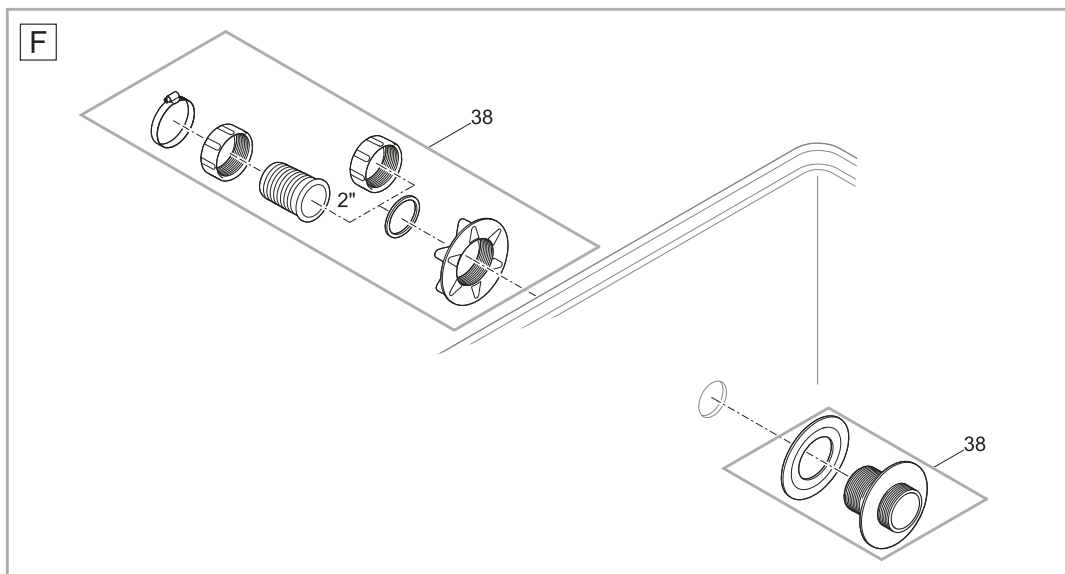
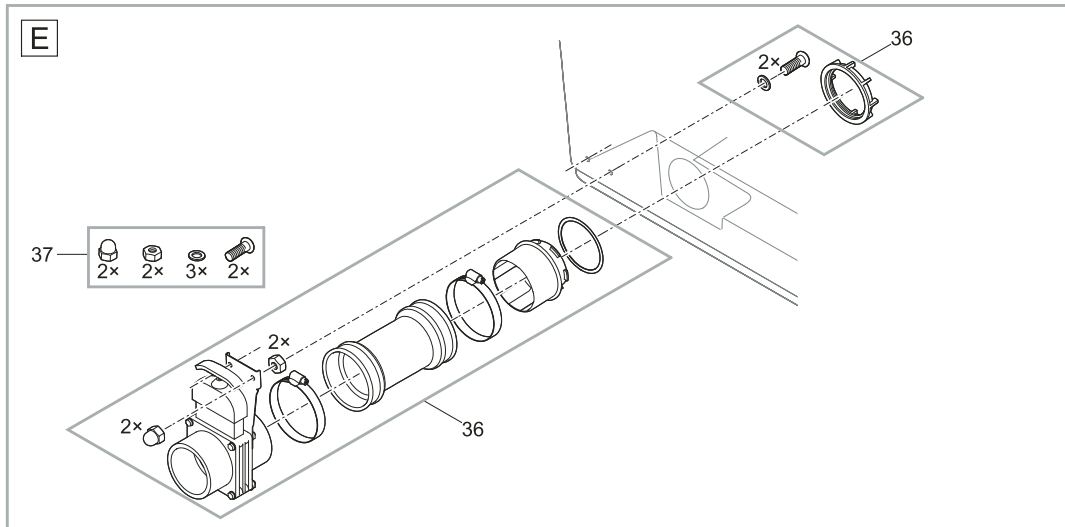
Produkt / Product

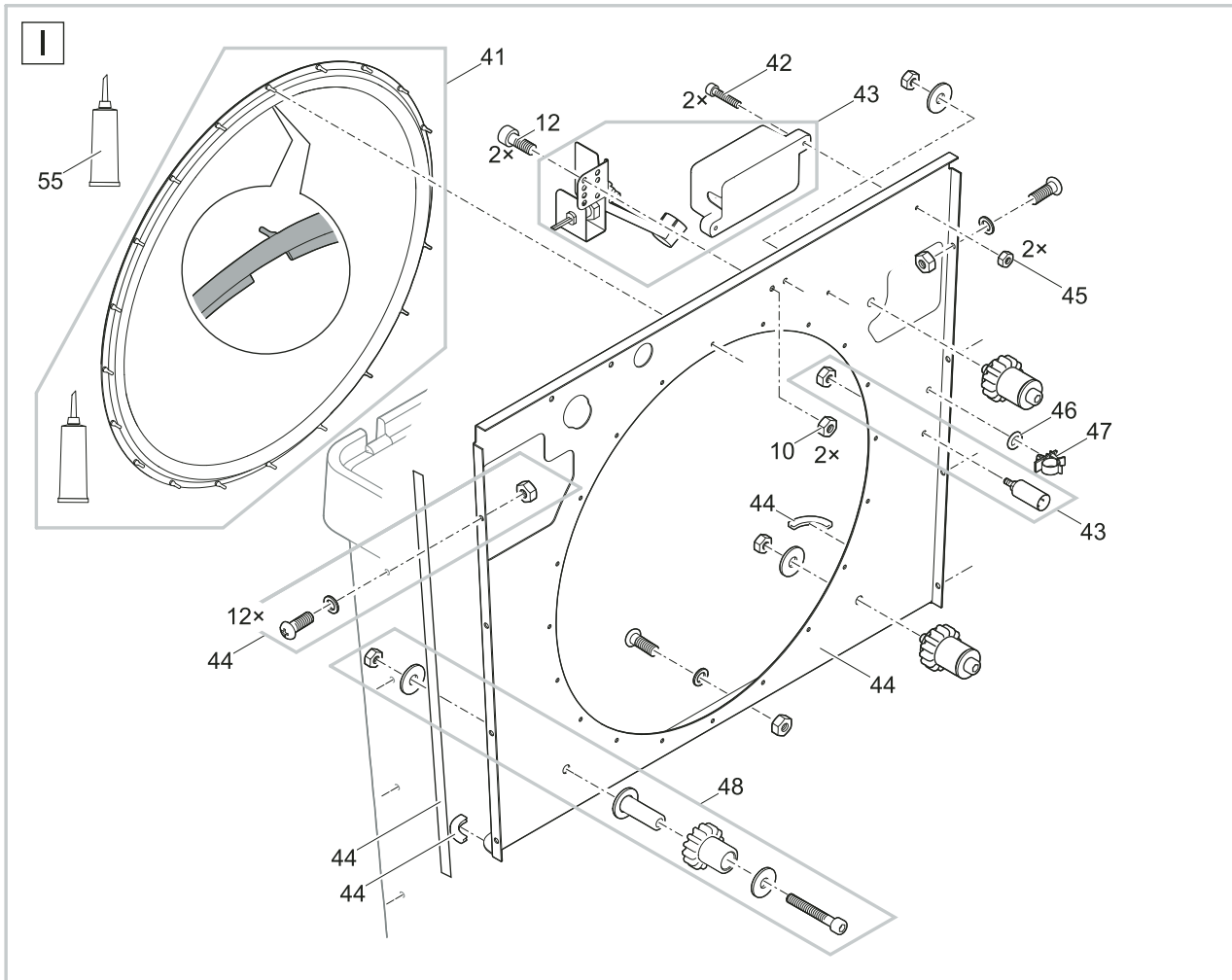
50773 ProfiClear Premium Trommelfilter gepumpt











Pos.	Produkt / Product	Artikelnr. / Item no.	Ersatzteil	Spare part
1	ProfiClear Premium Trommelfilter gepumpt	18795	Ersatz Deckel kpl. Trommelfilter	Spare part lid cpl. drum filter
2	ProfiClear Premium Trommelfilter gepumpt	18842	Blechklammer Trommelfilter	Clip drum filter
3	ProfiClear Premium Trommelfilter gepumpt	17039	Behälter Trommelfilter gepumpt	Container drum filter pumped
4	ProfiClear Premium Trommelfilter gepumpt	43156	BG Steuerung Trommelfilter 2015	ASM controller drum filter 2015
6	ProfiClear Premium Trommelfilter gepumpt	5 x 11979	Kabelschutz Quintet / Trommelfilter	Cable protection Quintet / drum filter
7	ProfiClear Premium Trommelfilter gepumpt	20284	Erdspeiß	Spike
8	ProfiClear Premium Trommelfilter gepumpt	18692	Schmelzsicherung T8A 250 V	Fuse T8A 250 V
9	ProfiClear Premium Trommelfilter gepumpt	17872	BG Schmutzrinne	ASM waste channel
10	ProfiClear Premium Trommelfilter gepumpt	6128	Sicherungsmutter V2A DIN 985 M6	Lock nut V2A DIN 985 M6
11	ProfiClear Premium Trommelfilter gepumpt	16555	BG Trommelmotor	ASM drum motor
12	ProfiClear Premium Trommelfilter gepumpt	5948	Zylinderschraube V2A DIN 912 6 x 12	Cylinder screw V2A DIN 912 6 x 12
13	ProfiClear Premium Trommelfilter gepumpt	16747	Abdeckung Spüleiste	Cover cleaning tube
14	ProfiClear Premium Trommelfilter gepumpt	18797	Ersatz Düse ProfiClear Premium	Spare nozzle ProfiClear Premium
15	ProfiClear Premium Trommelfilter gepumpt	16565	BG Spülrohr Trommelfilter	ASM cleaning tube drum filter
16	ProfiClear Premium Trommelfilter gepumpt	18790	Ersatz Schlauchhalter ProfiClear Premium	Spare hose bracket ProfiClear Premium
17	ProfiClear Premium Trommelfilter gepumpt	17349	Rohrklemme Typ A, D20 mm	Pipe clip type A, D20 mm
18	ProfiClear Premium Trommelfilter gepumpt	25000	Linsenschraube CH-V2A DIN 7981 4,8 x 22	Oval head screw CH-V2A DIN 7981 4.8 x 22
19	ProfiClear Premium Trommelfilter gepumpt	19004	BG Siebrahmen 150 µm	ASM sieve frame 150 µm
	ProfiClear Premium Trommelfilter gepumpt	22005	BG Siebrahmen 60 µm	ASM sieve frame 60 µm
20	ProfiClear Premium Trommelfilter gepumpt	19515	Klappsplint V2A DIN 11023 – 6 mm	Locking pin V2A DIN 11023 – 6 mm

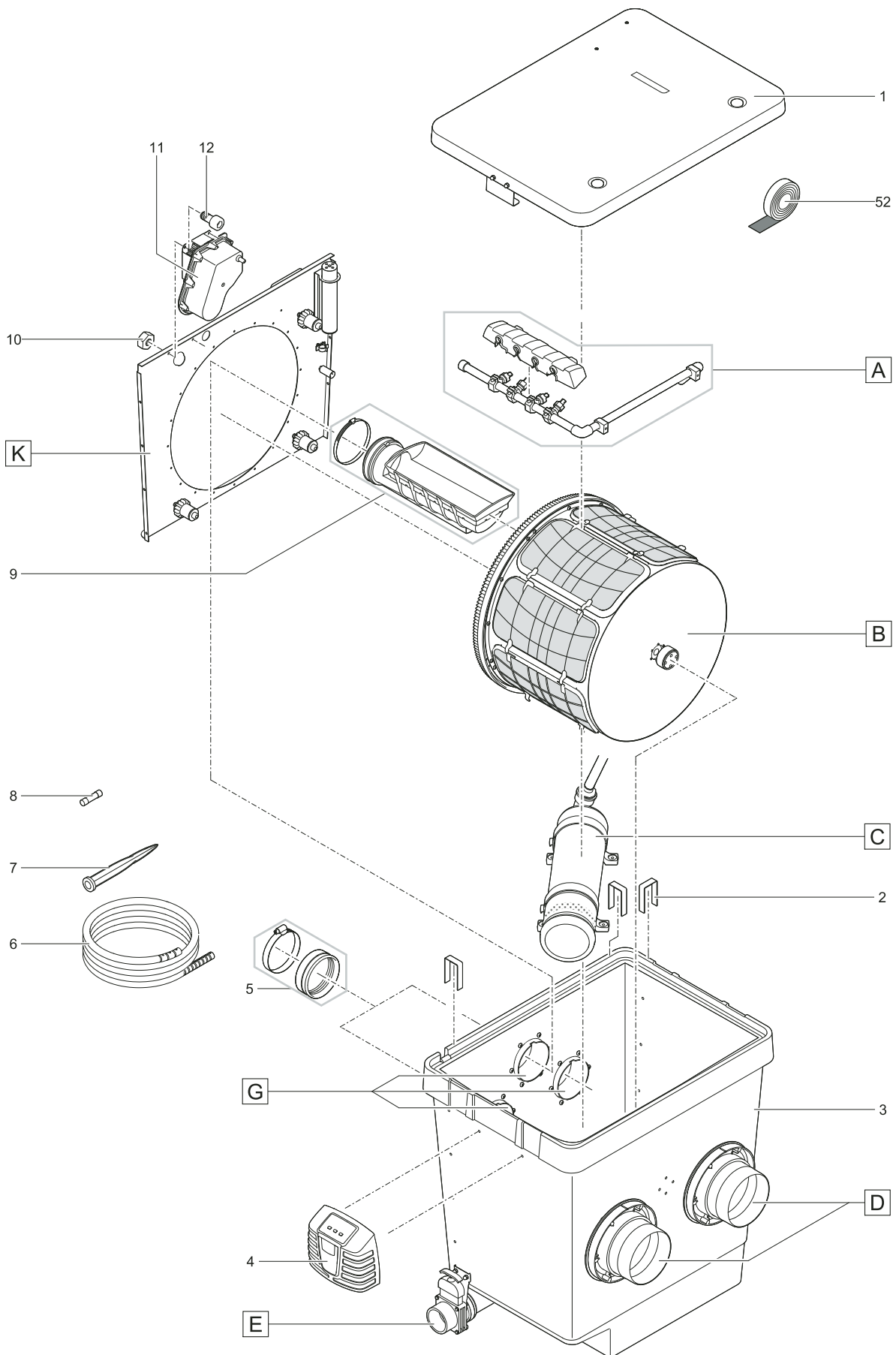


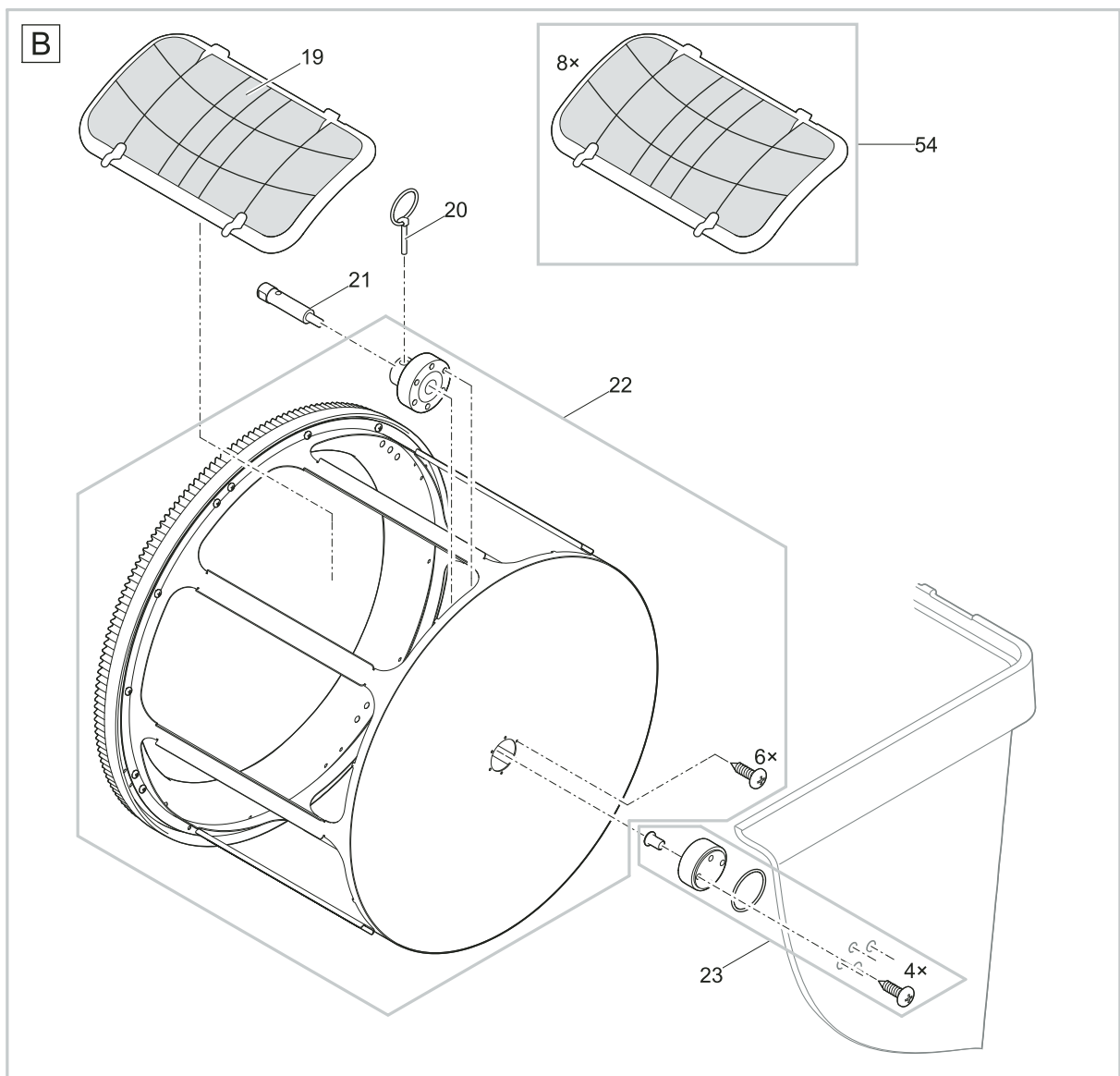
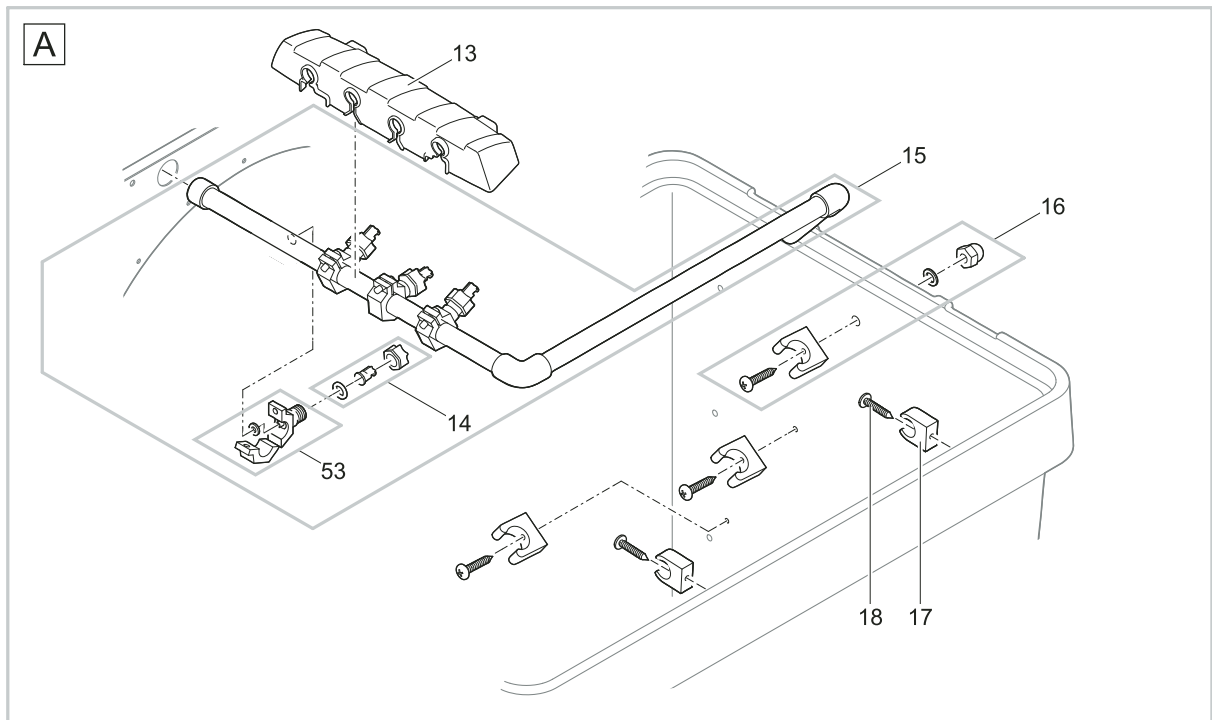
Pos.	Produkt / Product	Artikelnr. / Item no.	Ersatzteil	Spare part
21	ProfiClear Premium Trommelfilter gepumpt	16288	Trommelwelle Trommelfilter	Drum shaft
22	ProfiClear Premium Trommelfilter gepumpt	18796	Ersatz Trommel ProfiClear Premium	Spare drum ProfiClear Premium
23	ProfiClear Premium Trommelfilter gepumpt	18791	Ersatz Trommellager Trommelfilter	Spare drum bearing drum filter
24	ProfiClear Premium Trommelfilter gepumpt	18793	Ersatz Anschluss Spülpumpe ProfiClear	Spare connector rinse pump ProfiClear
25	ProfiClear Premium Trommelfilter gepumpt	16566	Spülpumpe 6 bar – 6,35 m Kabel	Rinse pump 6 bar – 6.35 m cable
26	ProfiClear Premium Trommelfilter gepumpt	17043	Lagesicherung Spülpumpe	Fastening kit rinse pump
27	ProfiClear Premium Trommelfilter gepumpt	17918	Linsenschraube V2A DIN 7985 M6 x 25	Oval head screw V2A DIN 7985 M6 x 25
28	ProfiClear Premium Trommelfilter gepumpt	6143	Unterlegscheibe VA DIN 9021 6,4	Washer VA DIN 9021 6.4
29	ProfiClear Premium Trommelfilter gepumpt	20609	Fiberscheibe DIN 7603 6 x 12 x 1 mm	Fiberplate DIN 7603 6 x 12 x 1 mm
30	ProfiClear Premium Trommelfilter gepumpt	6117	Hutmutter V2A DIN 1587 M6	Cap nut V2A DIN 1587 M6
31	ProfiClear Premium Trommelfilter gepumpt	18943	Vorfilter Spülpumpe	Pre-filter scavenging pump
32	ProfiClear Premium Trommelfilter gepumpt	16750	Gummiring Spülpumpe	Rubber ring pump
33	ProfiClear Premium Trommelfilter gepumpt	27572	Linsenschraube CZ-V2A DIN 7981 6,3 x 32	Oval head screw CZ-V2A DIN 7981 6.3 x 32
34	ProfiClear Premium Trommelfilter gepumpt	26957	Dichtung 150 verschraubt	Gasket 150 screwed
35	ProfiClear Premium Trommelfilter gepumpt	26958	Auslauf 150/1 ProfiClear M2 – M5	Outlet 150/1 ProfiClear M2 – M5
36	ProfiClear Premium Trommelfilter gepumpt	18446	Ersatz Abfluss DN75 Premium	Spare drain DN75 Premium
37	ProfiClear Premium Trommelfilter gepumpt	18448	Ersatzschrauben Abfluss DN75 Premium	Spare screws drain DN75 Premium
38	ProfiClear Premium Trommelfilter gepumpt	18798	Ersatz Durchführung ProfiClear gepumpt	Spare grommet drum filter pump-fed
39	ProfiClear Premium Trommelfilter gepumpt	19005	BG Anschluss Set DN 110	ASM connection set DN 110
40	ProfiClear Premium Trommelfilter gepumpt	35570	Ersatz-Stopfen kpl.	Replacement Plug
41	ProfiClear Premium Trommelfilter gepumpt	23192	Ersatz Trommeldichtung	Spare drum gasket
42	ProfiClear Premium Trommelfilter gepumpt	20320	Zylinderschraube V2A DIN 912 M4 x 20	Cylinder screw V2A DIN 912 M4 x 20
43	ProfiClear Premium Trommelfilter gepumpt	28989	Ersatz Signalbox gepumpt	Spare signal box pump-fed
44	ProfiClear Premium Trommelfilter gepumpt	18792	Ersatz Trennwand ProfiClear gepumpt	Spare separating wall ProfiClear pumped
45	ProfiClear Premium Trommelfilter gepumpt	11113	Sechskantmutter V2A DIN 985 M4	Safety nut V2A DIN 985 M4
46	ProfiClear Premium Trommelfilter gepumpt	19023	O-Ring EPDM 6 x 1,5 SH70 A	O-Ring EPDM 6 x 1.5 SH70 A
47	ProfiClear Premium Trommelfilter gepumpt	19402	Kabelhalter Trommelfilter	Cable holder drum filter
48	ProfiClear Premium Trommelfilter gepumpt	18794	Ersatz Laufrolle Trommelfilter	Spare plain roller drum filter
52	ProfiClear Premium Trommelfilter gepumpt	21981	Ersatz Deckelabdichtung Trommelfilter	Spare cover gasket seal drum filter
53	ProfiClear Premium Trommelfilter gepumpt	19001	Montageschelle 090.003.51	Eyelet connectors 090.003.51
54	ProfiClear Premium Trommelfilter gepumpt	25376	Ersatz ProfiClear Premium Siebset 60 µ	Spare ProfiClear Premium repl. sieve 60µ
	ProfiClear Premium Trommelfilter gepumpt	50947	ProfiClear Premium Siebset 150 µ	ProfiClear Premium replacem. sieve 150 µ
55	ProfiClear Premium Trommelfilter gepumpt	27872	Turmsilon GTI 300 GK Tube 10 ml	Turmsilon GTI 300 GK tube 10 ml
56	ProfiClear Premium Trommelfilter gepumpt	20292	Linsenschraube V2A DIN 7985 M6 x 12	Oval head screw V2A DIN 7985 M6 x 12
57	ProfiClear Premium Trommelfilter gepumpt	20609	Fiberscheibe DIN 7603 6 x 12 x 1 mm	Fiberplate DIN 7603 6 x 12 x 1 mm
58	ProfiClear Premium Trommelfilter gepumpt	6117	Hutmutter V2A DIN 1587 M6	Cap nut V2A DIN 1587 M6
59	ProfiClear Premium Trommelfilter gepumpt	22746	Beipack Trommelfilter gepumpt II	Add. pack drum filter pump-fed II

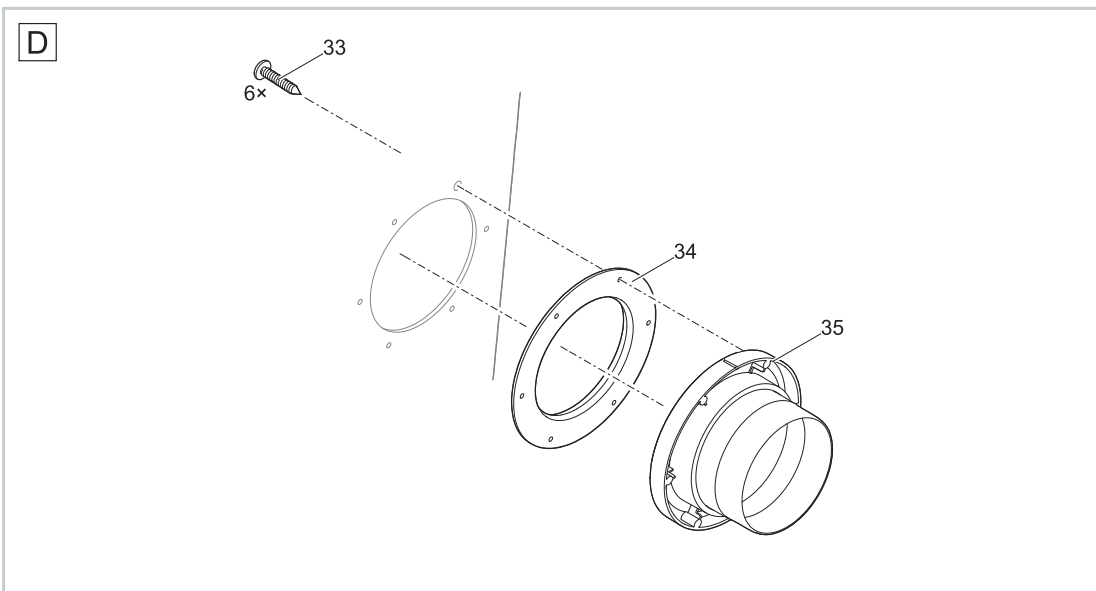
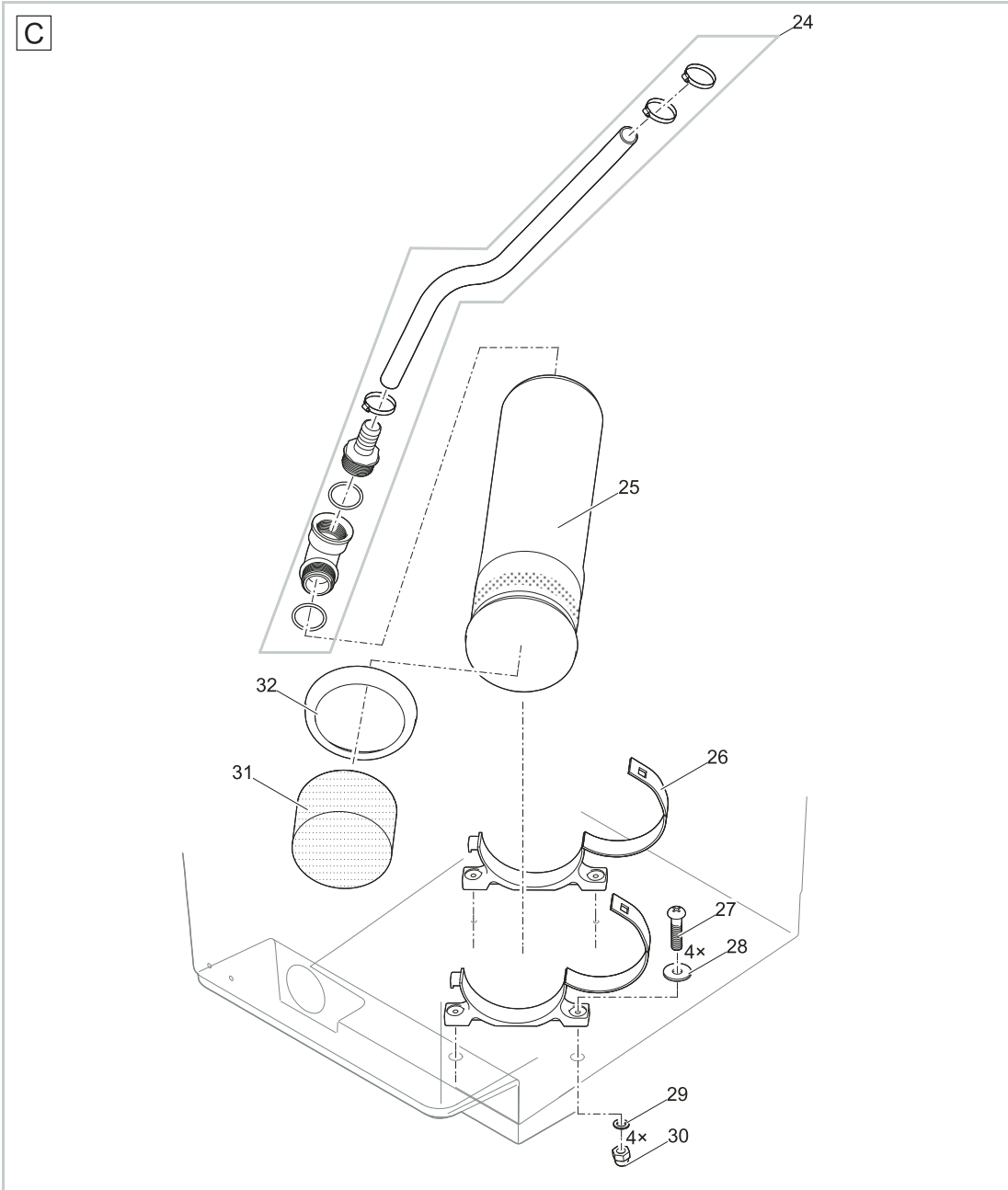
Produkt / Product

50775 ProfiClear Premium Trommelfilter Gravitation

56774 ProfiClear Premium Trommelfilter Gravitation







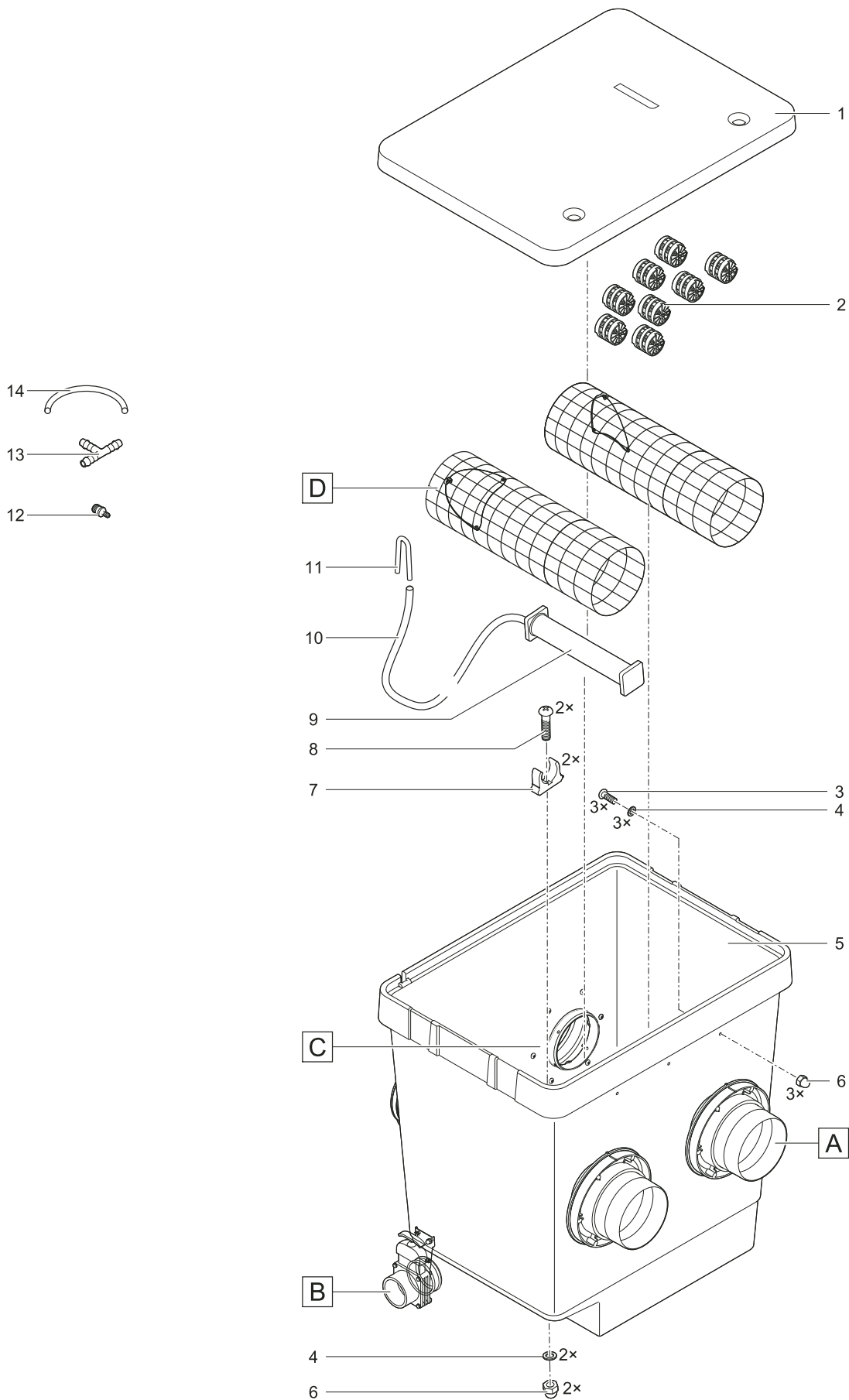


Pos.	Produkt / Product	Artikelnr. / Item no.	Ersatzteil	Spare part
1	ProfiClear Premium Trommel-filter Gravitation	18795	Ersatz Deckel kpl. Trommelfilter	<i>Spare part lid cpl. drum filter</i>
2	ProfiClear Premium Trommel-filter Gravitation	18842	Blechklammer Trommelfilter	<i>Clip drum filter</i>
3	ProfiClear Premium Trommel-filter Gravitation	16261	Behälter Trommelfilter Gravitation	<i>Container drum filter gravitation</i>
	ProfiClear Premium Trommel-filter Gravitation	22106	Behälter Trommelfilter Gravitation 4 x DN110	<i>Container drum filter gravitation 4 x DN110</i>
	ProfiClear Premium Trommel-filter Gravitation	16261	Behälter Trommelfilter Gravitation	<i>Container drum filter gravitation</i>
4	ProfiClear Premium Trommel-filter Gravitation	43156	BG Steuerung Trommelfilter 2015	<i>ASM controller drum filter 2015</i>
5	ProfiClear Premium Trommel-filter Gravitation	16387	Verschlusskappe DN 110	<i>Blanking cap DN 110</i>
6	ProfiClear Premium Trommel-filter Gravitation	5 x 11979	Kabelschutz Quintet / Trommelfilter	<i>Cable protection Quintet / drum filter</i>
7	ProfiClear Premium Trommel-filter Gravitation	20284	Erdspieß	<i>Spike</i>
8	ProfiClear Premium Trommel-filter Gravitation	18692	Schmelzsicherung T8A 250 V	<i>Fuse T8A 250 V</i>
9	ProfiClear Premium Trommel-filter Gravitation	17872	BG Schmutzrinne	<i>ASM slush channel</i>
10	ProfiClear Premium Trommel-filter Gravitation	6128	Sicherungsmutter V2A DIN 985 M6	<i>Lock nut V2A DIN 985 M6</i>
11	ProfiClear Premium Trommel-filter Gravitation	16555	BG Trommelmotor	<i>ASM drum motor</i>
12	ProfiClear Premium Trommel-filter Gravitation	5948	Zylinderschraube V2A DIN 912 6 x 12	<i>Cylinder screw V2A DIN 912 6 x 12</i>
13	ProfiClear Premium Trommel-filter Gravitation	16747	Abdeckung Spüleiste	<i>Cover cleaning tube</i>
14	ProfiClear Premium Trommel-filter Gravitation	18797	Ersatz Düse ProfiClear Premium	<i>Spare nozzle ProfiClear Premium</i>
15	ProfiClear Premium Trommel-filter Gravitation	16565	BG Spülrohr Trommelfilter	<i>ASM cleaning tube drum filter</i>
16	ProfiClear Premium Trommel-filter Gravitation	18790	Ersatz Schlauchhalter ProfiClear Premium	<i>Spare hose bracket ProfiClear Premium</i>
17	ProfiClear Premium Trommel-filter Gravitation	17349	Rohrklemme Typ A, D20 mm	<i>Pipe clip type A, D20 mm</i>
18	ProfiClear Premium Trommel-filter Gravitation	25000	Linsenschraube CH-V2A DIN 7981 4,8 x 22	<i>Oval head screw CH-V2A DIN 7981 4.8 x 22</i>
19	ProfiClear Premium Trommel-filter Gravitation	19004	BG Siebrahmen 150 µm	<i>ASM sieve frame 150 µm</i>
	ProfiClear Premium Trommel-filter Gravitation	22005	BG Siebrahmen 60 µm	<i>ASM sieve frame 60 µm</i>
20	ProfiClear Premium Trommel-filter Gravitation	19515	Klappsplint V2A DIN 11023 – 6 mm	<i>Locking pin V2A DIN 11023 – 6 mm</i>
21	ProfiClear Premium Trommel-filter Gravitation	16288	Trommelwelle Trommelfilter	<i>Drum shaft</i>
22	ProfiClear Premium Trommel-filter Gravitation	18796	Ersatz Trommel ProfiClear Premium	<i>Spare drum ProfiClear Premium</i>
23	ProfiClear Premium Trommel-filter Gravitation	18791	Ersatz Trommellager Trommelfilter	<i>Spare drum bearing drum filter</i>
24	ProfiClear Premium Trommel-filter Gravitation	18793	Ersatz Anschluss Spülpumpe ProfiClear	<i>Spare connector rinse pump ProfiClear</i>
25	ProfiClear Premium Trommel-filter Gravitation	16566	Spülpumpe 6 bar – 6,35 m Kabel	<i>Rinse pump 6 bar – 6.35 m cable</i>
26	ProfiClear Premium Trommel-filter Gravitation	17043	Lagesicherung Spülpumpe	<i>Bearing safety slush pump</i>
27	ProfiClear Premium Trommel-filter Gravitation	17918	Linsenschraube V2A DIN 7985 M6 x 25	<i>Oval head screw V2A DIN 7985 M6 x 25</i>
28	ProfiClear Premium Trommel-filter Gravitation	6143	Unterlegscheibe VA DIN 9021 6,4	<i>Washer VA DIN 9021 6.4</i>
29	ProfiClear Premium Trommel-filter Gravitation	20609	Fiberscheibe DIN 7603 6 x 12 x 1 mm	<i>Fiberplate DIN 7603 6 x 12 x 1 mm</i>
30	ProfiClear Premium Trommel-filter Gravitation	6117	Hutmutter V2A DIN 1587 M6	<i>Cap nut V2A DIN 1587 M6</i>

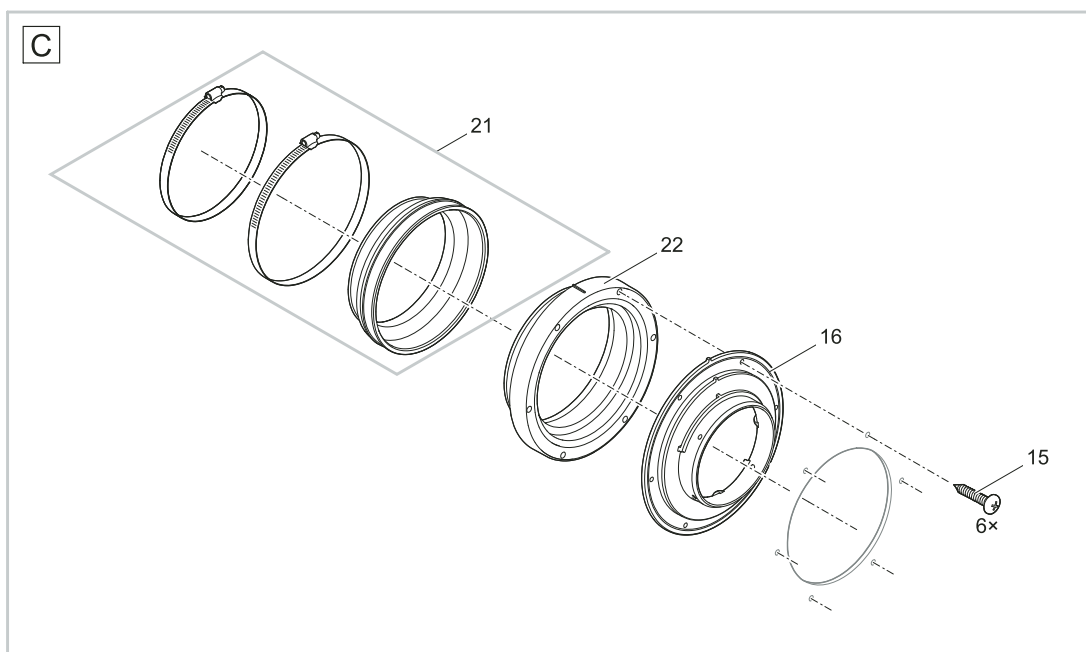
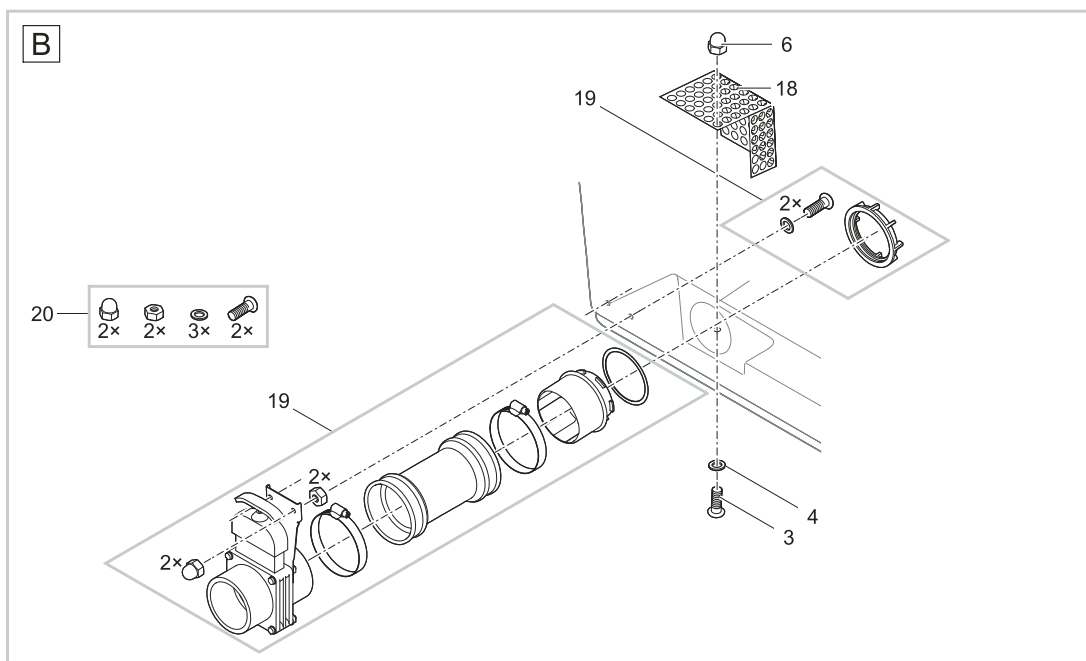
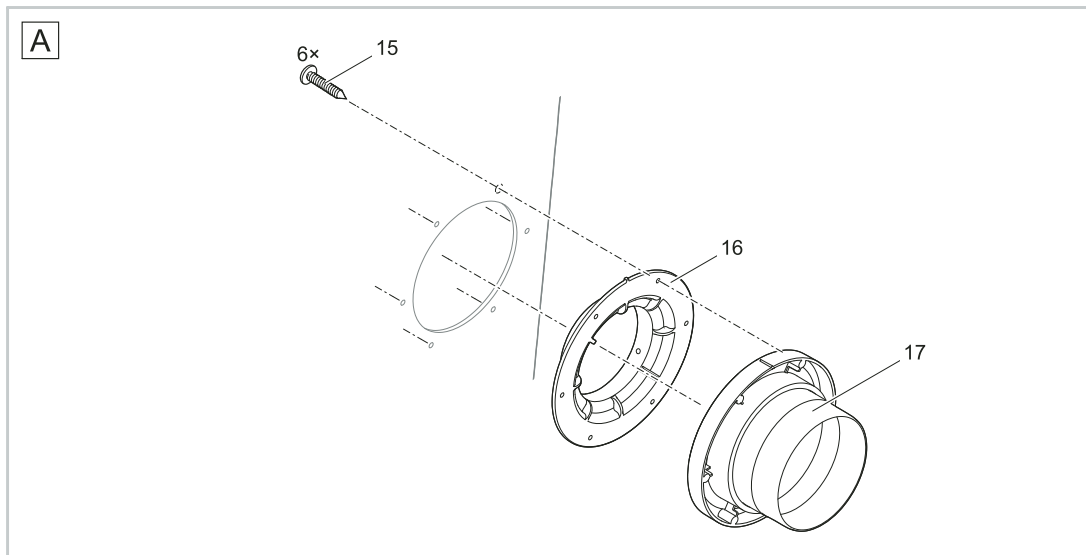
Pos.	Produkt / Product	Artikelnr. / Item no.	Ersatzteil	Spare part
31	ProfiClear Premium Trommel-filter Gravitation	18943	Vorfilter Spülpumpe	Pre-filter Rinse pump
32	ProfiClear Premium Trommel-filter Gravitation	16750	Gummiring Spülpumpe	Rubber ring pump
33	ProfiClear Premium Trommel-filter Gravitation	27572	Linsenschraube CZ-V2A DIN 7981 6,3 x 32	Oval head screw CZ-V2A DIN 7981 6.3 x 32
34	ProfiClear Premium Trommel-filter Gravitation	26957	Dichtung 150 verschraubt	Gasket 150 screwed
35	ProfiClear Premium Trommel-filter Gravitation	26958	Auslauf 150/1 ProfiClear M2 – M5	Outlet 150/1 ProfiClear M2 – M5
36	ProfiClear Premium Trommel-filter Gravitation	18446	Ersatz Abfluss DN75 Premium	Spare drain DN75 Premium
37	ProfiClear Premium Trommel-filter Gravitation	18448	Ersatzschrauben Abfluss DN75 Premium	Spare screws drain DN75 Premium
39	ProfiClear Premium Trommel-filter Gravitation	19005	BG Anschluss Set DN 110	ASM connection set DN 110
41	ProfiClear Premium Trommel-filter Gravitation	23192	Ersatz Trommeldichtung	Spare drum gasket
42	ProfiClear Premium Trommel-filter Gravitation	20320	Zylinderschraube V2A DIN 912 M4 x 20	Cylinder screw V2A DIN 912 M4 x 20
45	ProfiClear Premium Trommel-filter Gravitation	11113	Sechskantmutter V2A DIN 985 M4	Safety nut V2A DIN 985 M4
46	ProfiClear Premium Trommel-filter Gravitation	19023	O-Ring EPDM 6 x 1,5 SH70 A	O-Ring EPDM 6 x 1.5 SH70 A
47	ProfiClear Premium Trommel-filter Gravitation	19402	Kabelhalter Trommelfilter	Cable holder drum filter
48	ProfiClear Premium Trommel-filter Gravitation	18794	Ersatz Laufrolle Trommelfilter	Spare plain roller drum filter
49	ProfiClear Premium Trommel-filter Gravitation	28996	Ersatz Signalbox Gravitation	Spare signal box gravity
50	ProfiClear Premium Trommel-filter Gravitation	5949	Zylinderschraube V2A DIN 912 6 x 16	Cylinder screw V2A DIN 912 6 x 16
51	ProfiClear Premium Trommel-filter Gravitation	18799	Ersatz Trennwand ProfiClear Gravitation	Spare separating wall ProfiClear Gravit.
52	ProfiClear Premium Trommel-filter Gravitation	21981	Ersatz Deckelabdichtung Trommelfilter	Spare cover gasket seal drum filter
53	ProfiClear Premium Trommel-filter Gravitation	19001	Montageschelle 090.003.51	Eyelet connectors 090.003.51
54	ProfiClear Premium Trommel-filter Gravitation	25376	Ersatz ProfiClear Premium Siebset 60 µ	Spare ProfiClear Premium repl. sieve 60 µ
	ProfiClear Premium Trommel-filter Gravitation	50947	ProfiClear Premium Siebset 150 µ	ProfiClear Premium replacem. sieve 150 µ
	ProfiClear Premium Trommel-filter Gravitation	25376	Ersatz ProfiClear Premium Siebset 60 µ	Spare ProfiClear Premium repl. sieve 60 µ
	ProfiClear Premium Trommel-filter Gravitation	50947	ProfiClear Premium Siebset 150 µ	ProfiClear Premium replacem. sieve 150 µ
55	ProfiClear Premium Trommel-filter Gravitation	27872	Turmsilon GTI 300 GK Tube 10 ml	Turmsilon GTI 300 GK tube 10 ml

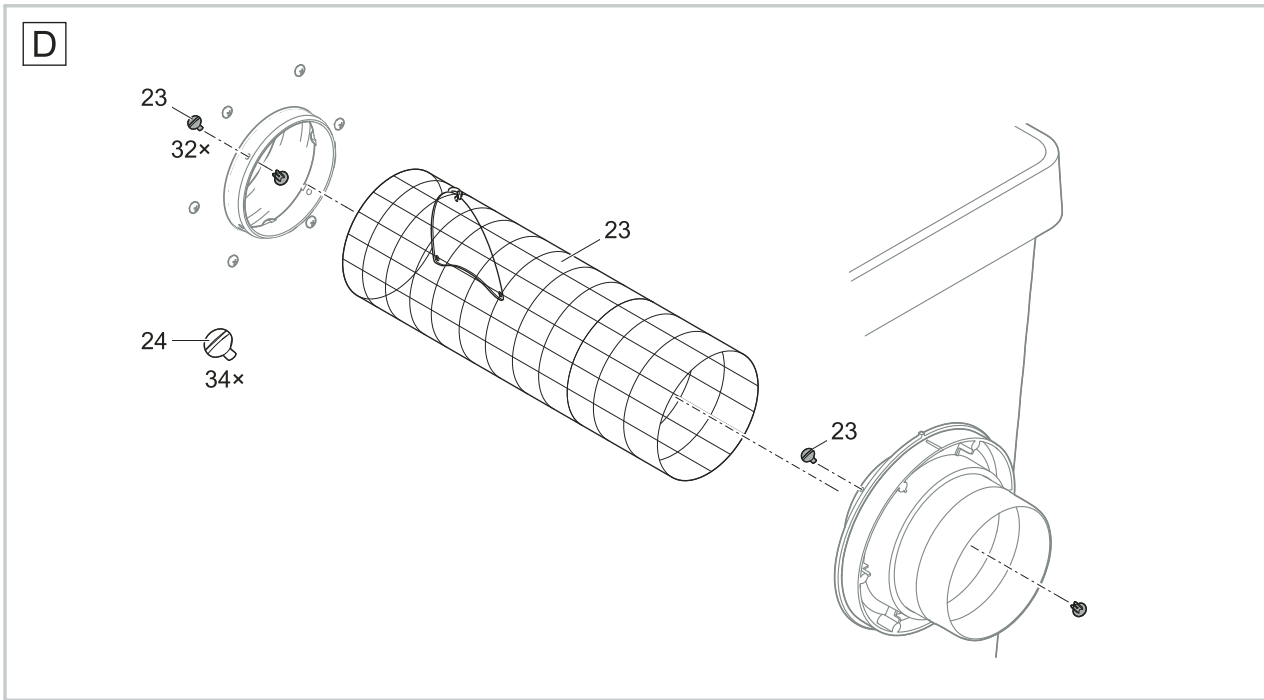
Produkt / Product

50772 ProfiClear Premium Moving Bed Modul



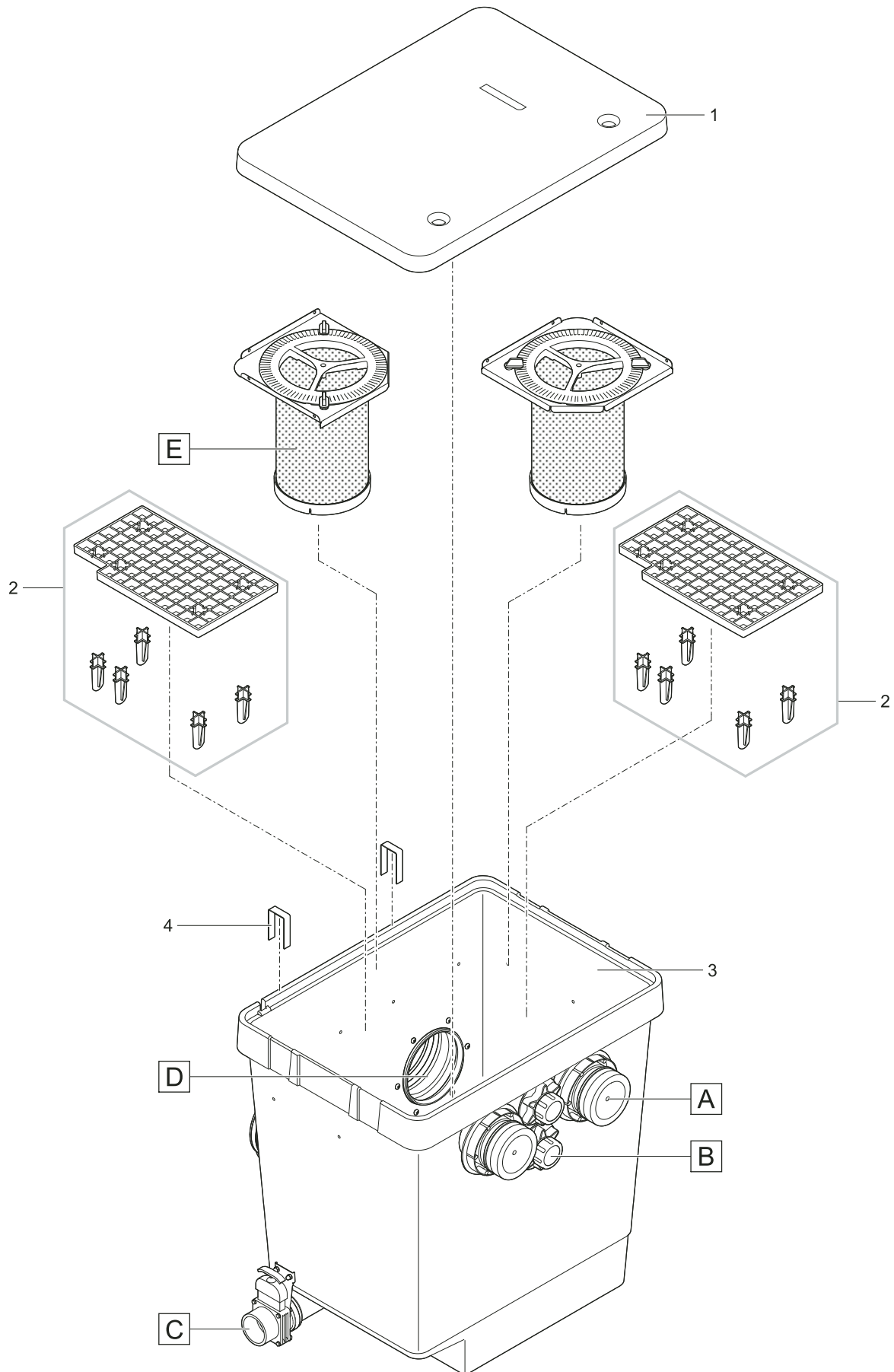


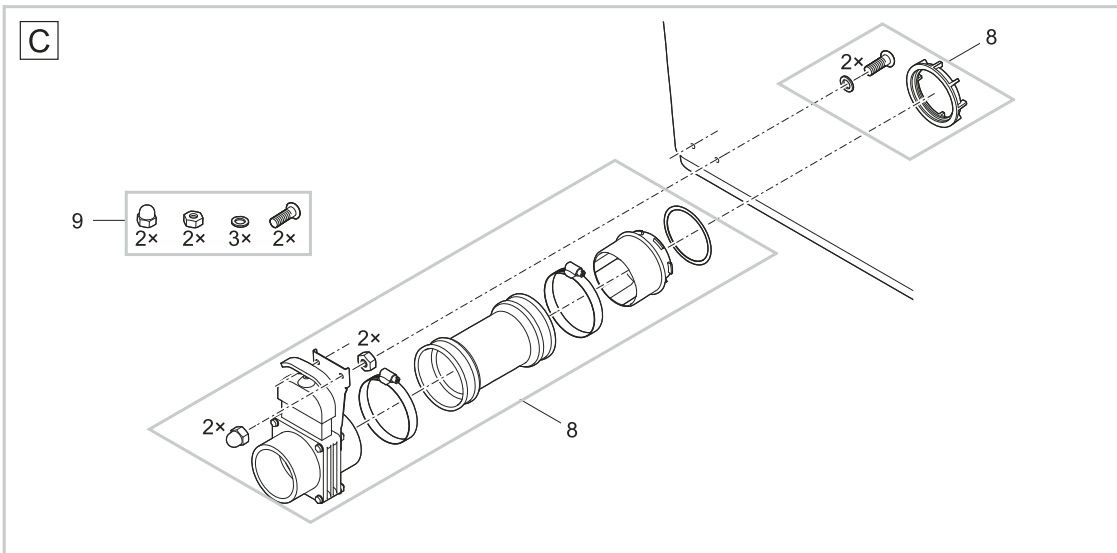
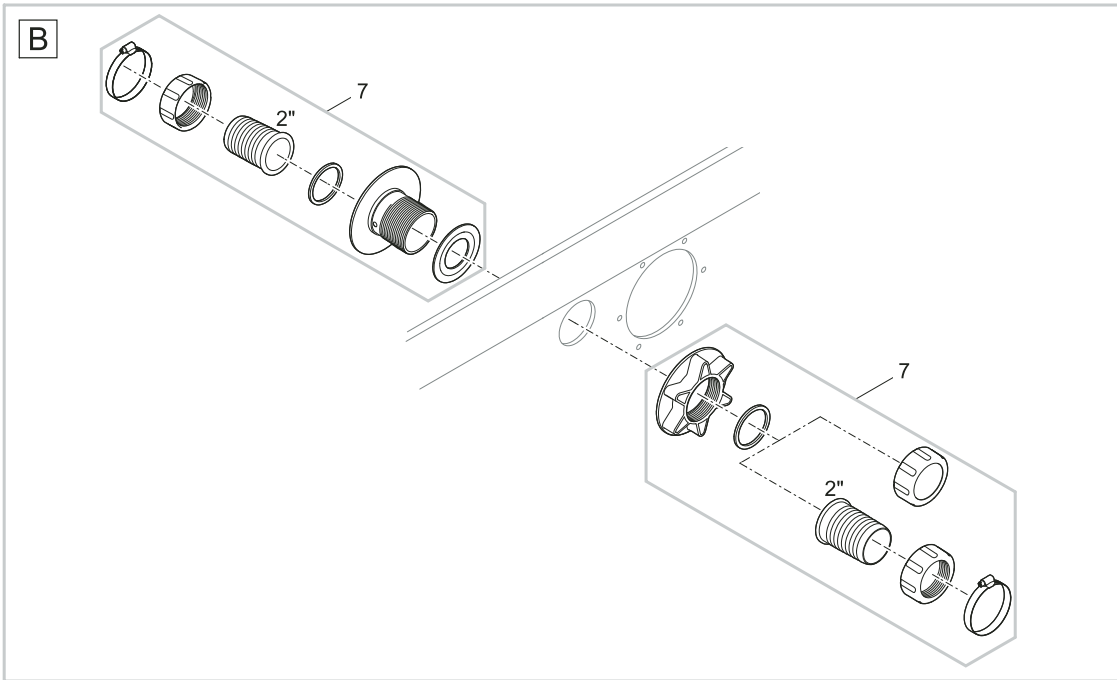
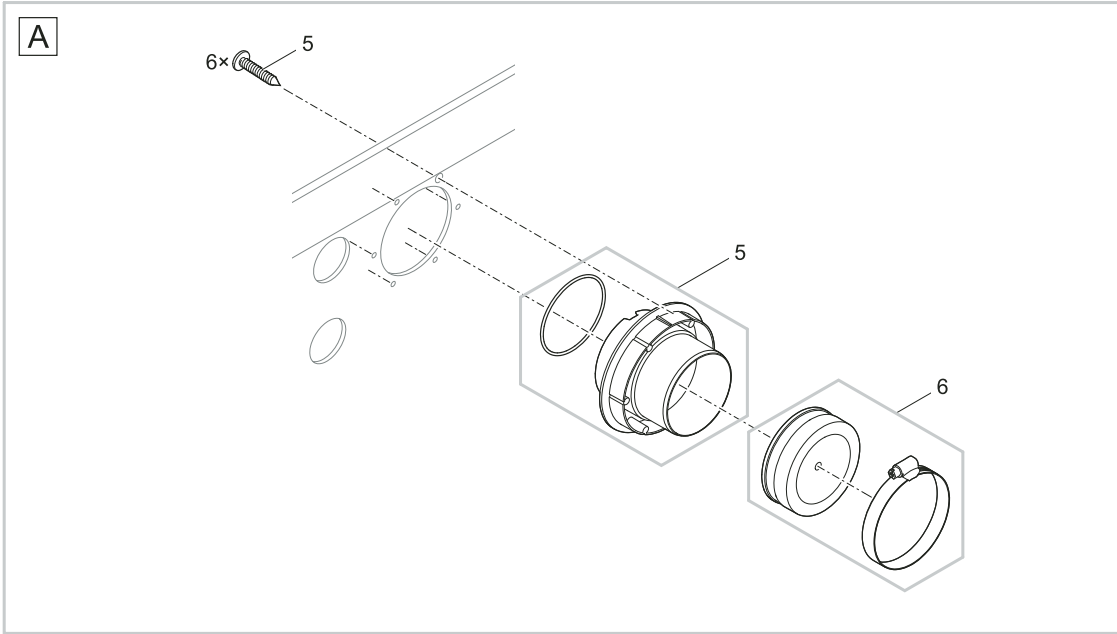


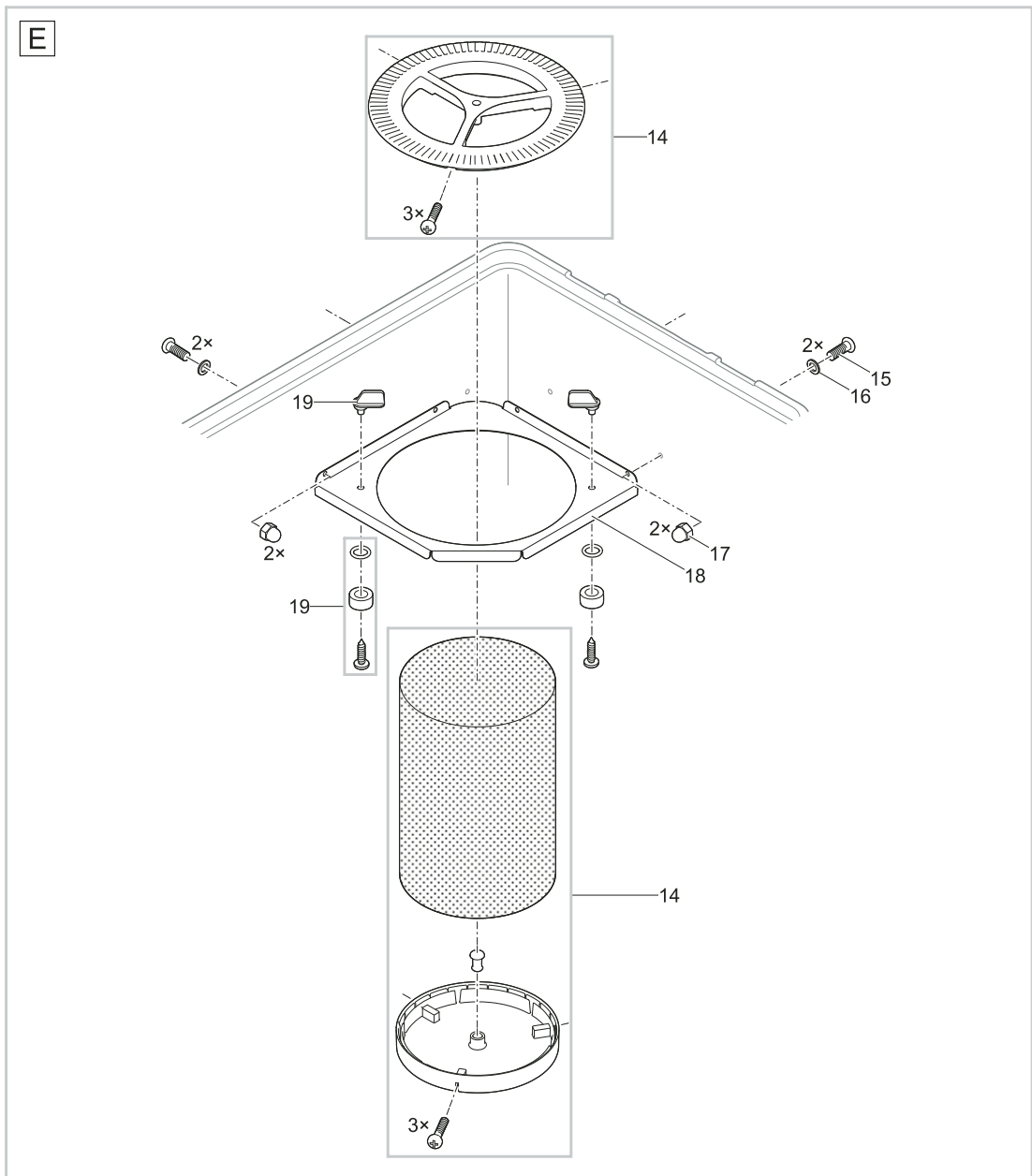
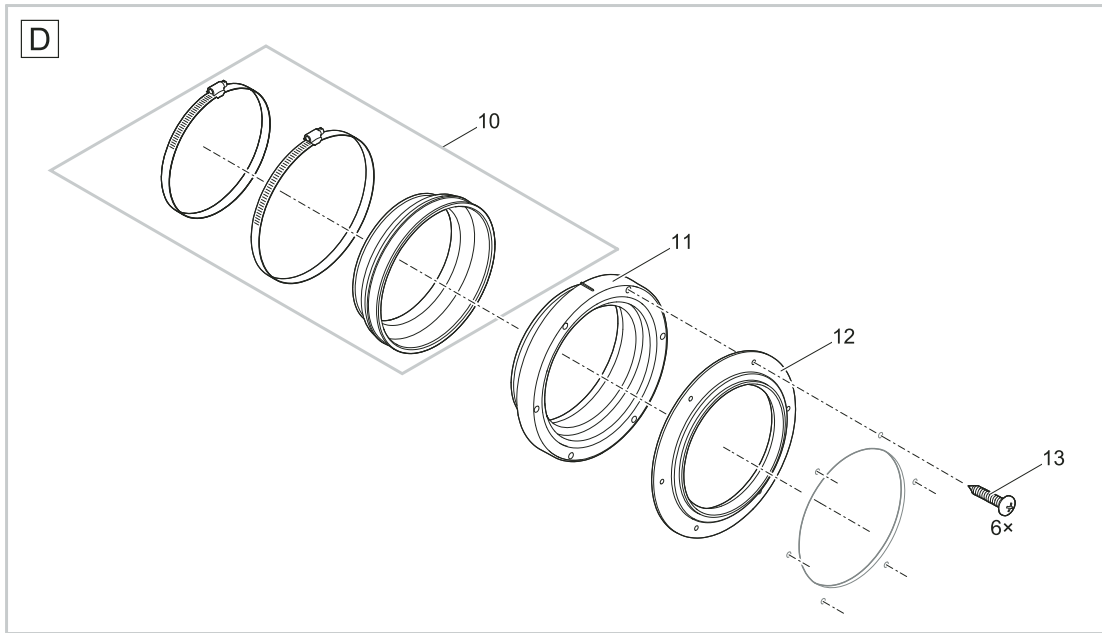


Pos.	Produkt / Product	Artikelnr. / Item no.	Ersatzteil	Spare part
1	ProfiClear Premium Moving Bed Modul	19333	Deckel ProfiClear Premium	Cover ProfiClear Premium
2	ProfiClear Premium Moving Bed Modul	51060	Hel-X Biomedium 25 l	Hel-X Biomedica 25 l
3	ProfiClear Premium Moving Bed Modul	20292	Linsenschraube V2A DIN 7985 M6 x 12	Oval head screw V2A DIN 7985 M6 x 12
4	ProfiClear Premium Moving Bed Modul	20609	Fiberscheibe DIN 7603 6 x 12 x 1 mm	Fiberplate DIN 7603 6 x 12 x 1 mm
5	ProfiClear Premium Moving Bed Modul	17038	Behälter Biomodul	Container bio module
6	ProfiClear Premium Moving Bed Modul	6117	Hutmutter V2A DIN 1587 M6	Cap nut V2A DIN 1587 M6
7	ProfiClear Premium Moving Bed Modul	17216	Lagesicherung Belüfterstab Biofilter	Airstone clamp Moving Bed
8	ProfiClear Premium Moving Bed Modul	17918	Linsenschraube V2A DIN 7985 M6 x 25	Oval head screw V2A DIN 7985 M6 x 25
9	ProfiClear Premium Moving Bed Modul	17391	Sprudelstein ProfiClear Premium Moving Bed	Air stone ProfiClear Premium Moving Bed
10	ProfiClear Premium Moving Bed Modul	18184	PVC Luftschlauch transp. DI 9 mm x 0,85m	PVC air hose transp. DI 9 mm x 0.85 m
11	ProfiClear Premium Moving Bed Modul	42865	Luftanschluss ProfiClear Compact	Air connection ProfiClear Compact
12	ProfiClear Premium Moving Bed Modul	17631	Schlauchadapter 4 auf 9 mm	Hose adapter 4 to 9 mm
13	ProfiClear Premium Moving Bed Modul	18186	Luftanschluss T-Stück 9 mm	Air connection T-piece 9 mm
14	ProfiClear Premium Moving Bed Modul	18185	PVC Luftschlauch transp. DI 9 mm x 0,10m	PVC air hose transp. DI 9 mm x 0.10 m
15	ProfiClear Premium Moving Bed Modul	27572	Linsenschraube CZ-V2A DIN 7981 6,3 x 32	Oval head screw CZ-V2A DIN 7981 6.3 x 32
16	ProfiClear Premium Moving Bed Modul	17248	Dichtung Gitterrohr	Gasket mesh tube
17	ProfiClear Premium Moving Bed Modul	26958	Auslauf 150/1 ProfiClear M2 – M5	Outlet 150/1 ProfiClear M2 – M5
18	ProfiClear Premium Moving Bed Modul	17327	Lochblech Schmutzauslauf	Perforated sheet outlet
19	ProfiClear Premium Moving Bed Modul	18446	Ersatz Abfluss DN75 Premium	Spare drain DN75 Premium
20	ProfiClear Premium Moving Bed Modul	18448	Ersatzschrauben Abfluss DN75 Premium	Spare screw set drain DN75 Premium
21	ProfiClear Premium Moving Bed Modul	17251	BG Gummimuffe D178 mm	ASM rubber bushing D178 mm
22	ProfiClear Premium Moving Bed Modul	26987	Auslauf 150/2 ProfiClear M2 – M5	Outlet 150/2 ProfiClear M2 – M5
23	ProfiClear Premium Moving Bed Modul	19006	BG Gitterrohr Biomodul	ASM Mesh tube bio module
24	ProfiClear Premium Moving Bed Modul	18940	Beipack II ProfiClear Premium Moving Bed	Add. pack II ProfiClear Premium Moving Bed

Produkt / Product  
50771 ProfiClear Premium Individualmodul

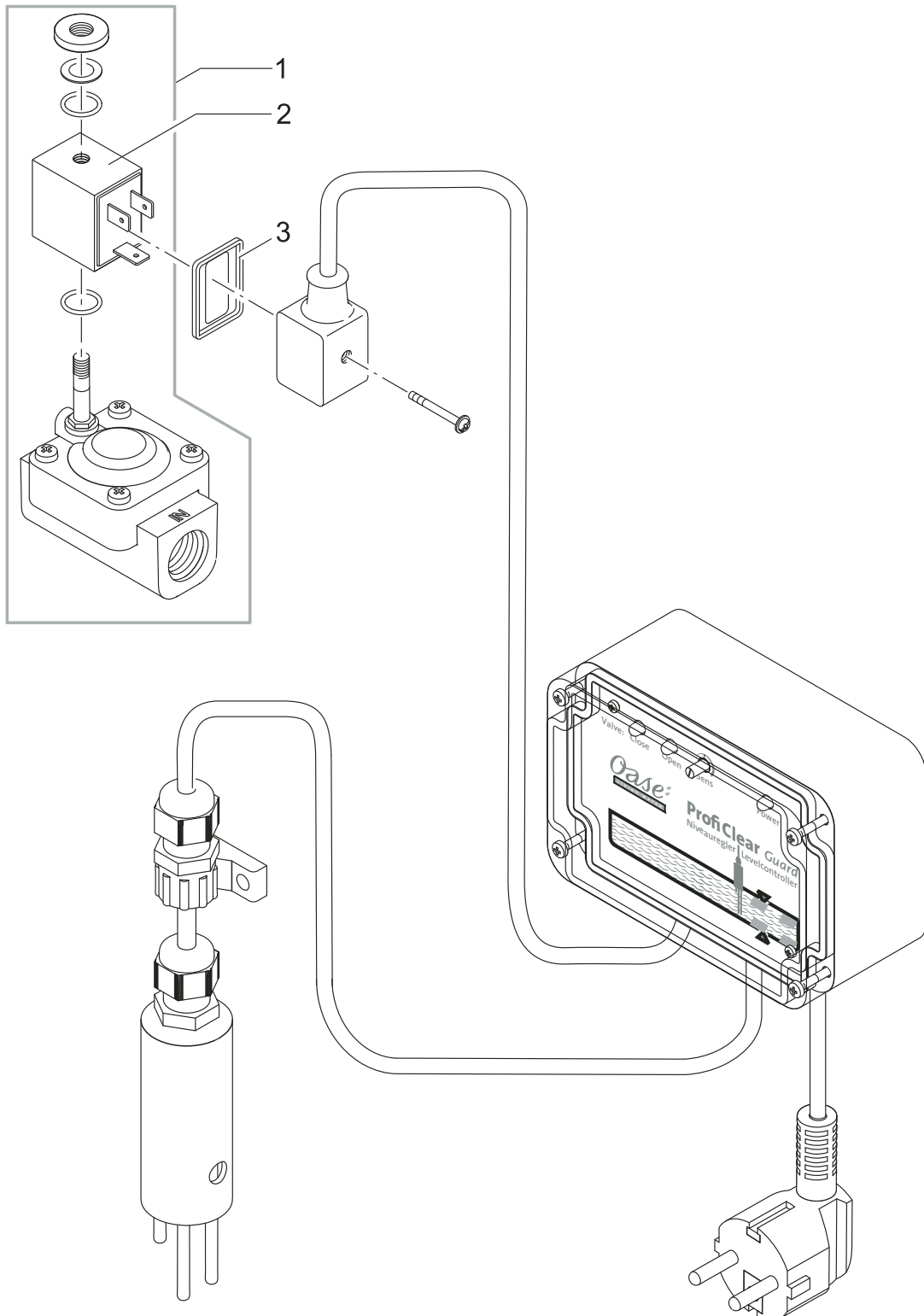






Pos.	Produkt / Product	Artikelnr. / Item no.	Ersatzteil	Spare part
1	ProfiClear Premium Individual-modul	19333	Deckel ProfiClear Premium	Cover ProfiClear Premium
2	ProfiClear Premium Individual-modul	35407	Ersatz Bodensieb inkl. Fuß ProfiClear	Spare base screen incl. foot ProfiClear
3	ProfiClear Premium Individual-modul	17040	Behälter UVC Phosphat	Container UVC phosphate
4	ProfiClear Premium Individual-modul	18842	Blechklammer Trommelfilter	Clip drum filter
5	ProfiClear Premium Individual-modul	19005	BG Anschluss Set DN 110	ASM connection set DN 110
6	ProfiClear Premium Individual-modul	16387	Verschlusskappe DN 110	Blanking cap DN 110
7	ProfiClear Premium Individual-modul	18833	Ersatz Durchführung ProfiClear Individual	Spare grommet ProfiClear individual
8	ProfiClear Premium Individual-modul	18446	Ersatz Abfluss DN75 Premium	Spare drain DN75 Premium
9	ProfiClear Premium Individual-modul	18448	Ersatzschrauben Abfluss DN75 Premium	Spare screws set drain DN75 Premium
10	ProfiClear Premium Individual-modul	17251	BG Gummimuffe D178 mm	ASM rubber bushing D178 mm
11	ProfiClear Premium Individual-modul	26987	Auslauf 150/2 ProfiClear M2 – M5	Outlet 150/2 ProfiClear M2 – M5
12	ProfiClear Premium Individual-modul	26957	Dichtung 150 verschraubt	Gasket 150 screwed
13	ProfiClear Premium Individual-modul	27572	Linsenschraube CZ-V2A DIN 7981 6,3 x 32	Oval head screw CZ-V2A DIN 7981 6.3 x 32
14	ProfiClear Premium Individual-modul	18800	Ersatz Sieb ProfiClear Individualmodul	Spare mesh ProfiClear individual module
15	ProfiClear Premium Individual-modul	20292	Linsenschraube V2A DIN 7985 M6 x 12	Oval head screw V2A DIN 7985 M6 x 12
16	ProfiClear Premium Individual-modul	20609	Fiberscheibe DIN 7603 6 x 12 x 1 mm	Fiberplate DIN 7603 6 x 12 x 1 mm
17	ProfiClear Premium Individual-modul	6117	Hutmutter V2A DIN 1587 M6	Cap nut V2A DIN 1587 M6
18	ProfiClear Premium Individual-modul	17534	Korbhalteblech ProfiClear	Basket holding plate ProfiClear
19	ProfiClear Premium Individual-modul	18812	Ersatz Zylinderhalter ProfiClear Premium	Spare cylinder fixing ProfiClear Premium

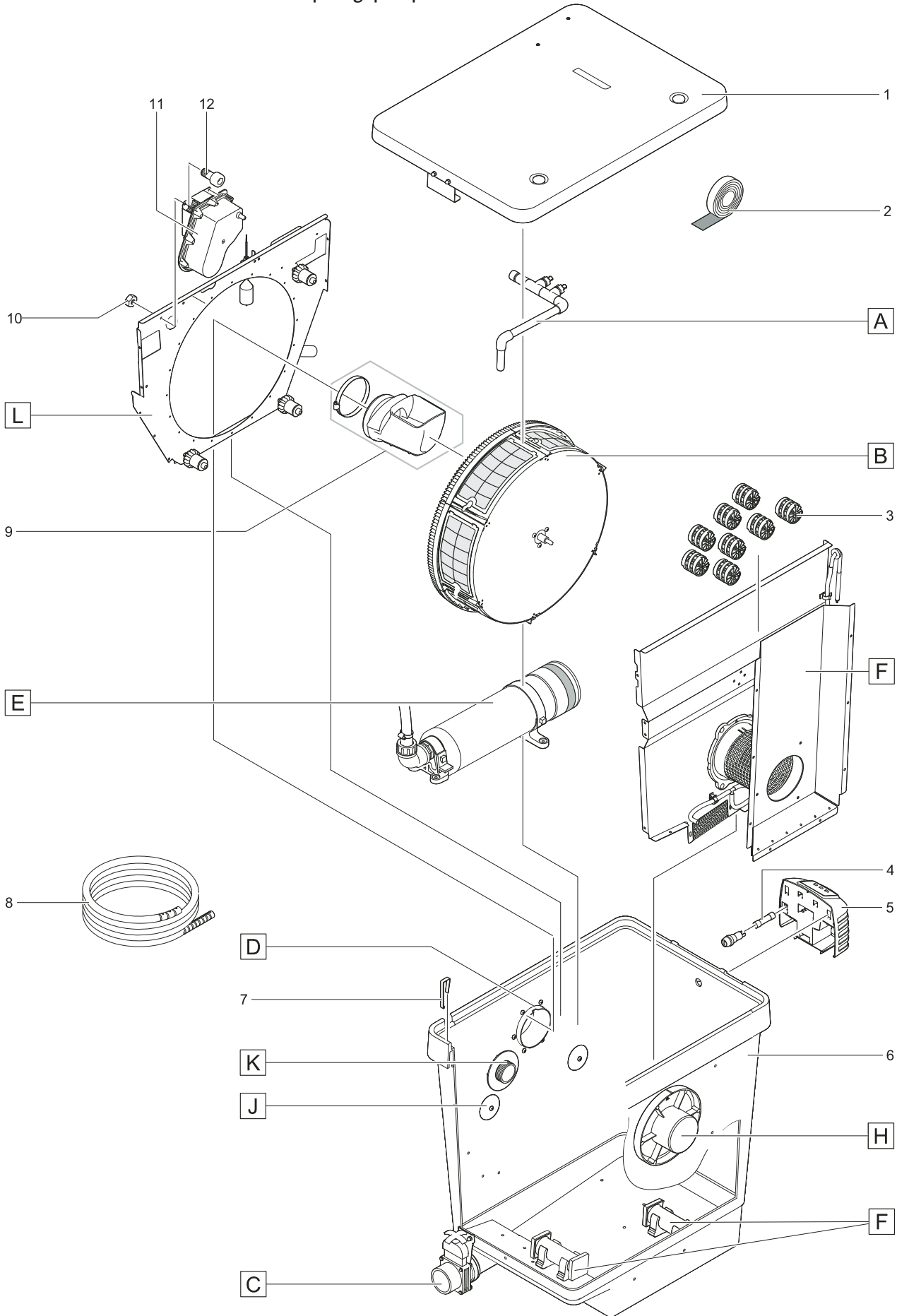
Produkt / Product  
50951 ProfiClear Guard



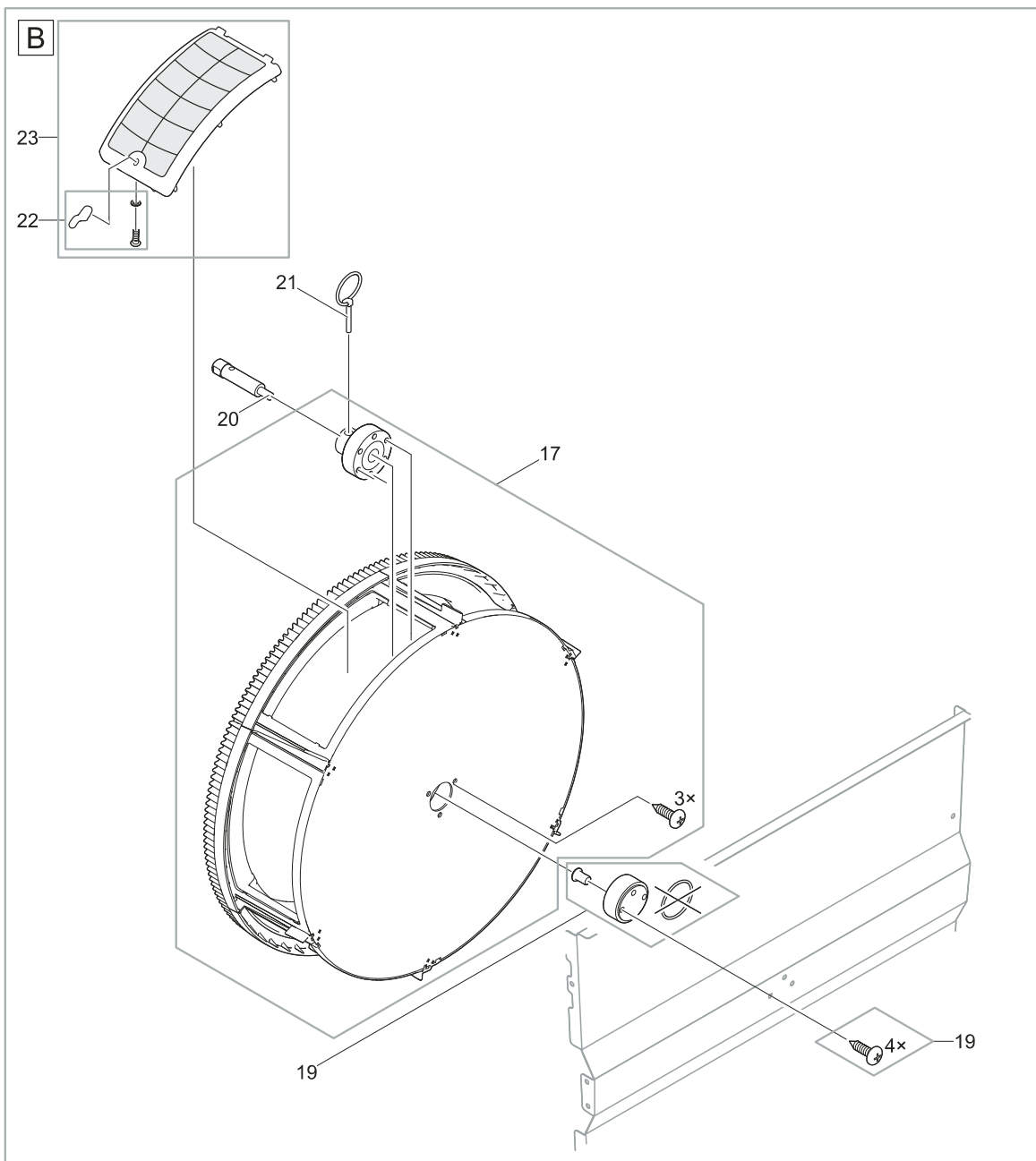
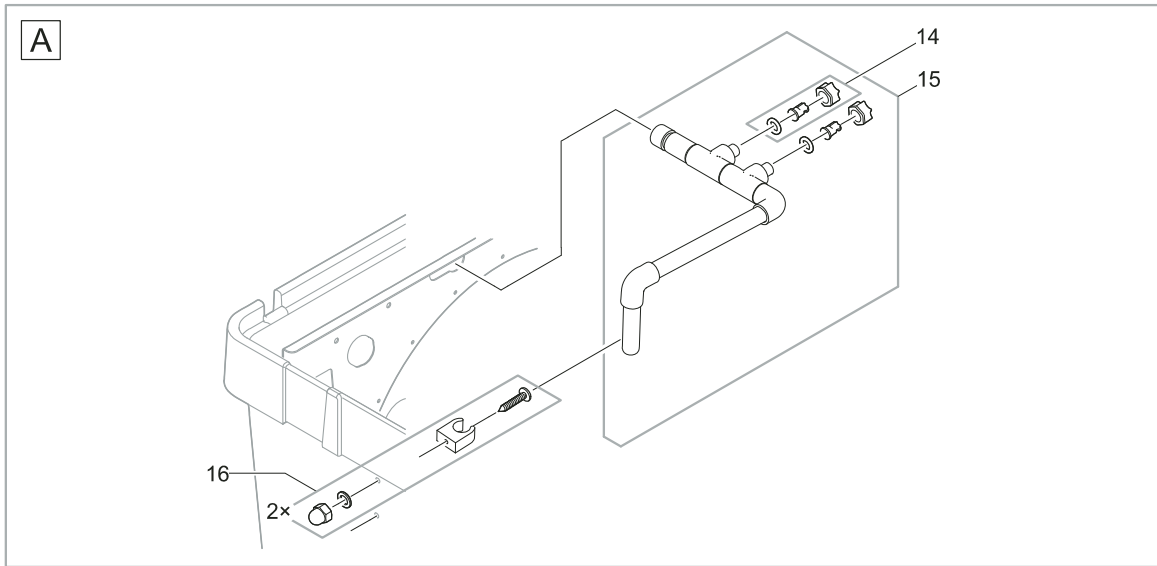
Pos.	Produkt / Product	Artikelnr. / Item no.	Ersatzteil	Spare part
1	ProfiClear Guard	18370	Magnetventil ½" ProfiClear Guard	Solenoid valve ½" ProfiClear Guard
2	ProfiClear Guard	40317	Ersatzspule ProfiClear Guard	Spare part solenoid ProfiClear Guard
3	ProfiClear Guard	40498	Dichtung ProfiClear Guard	Gasket ProfiClear Guard

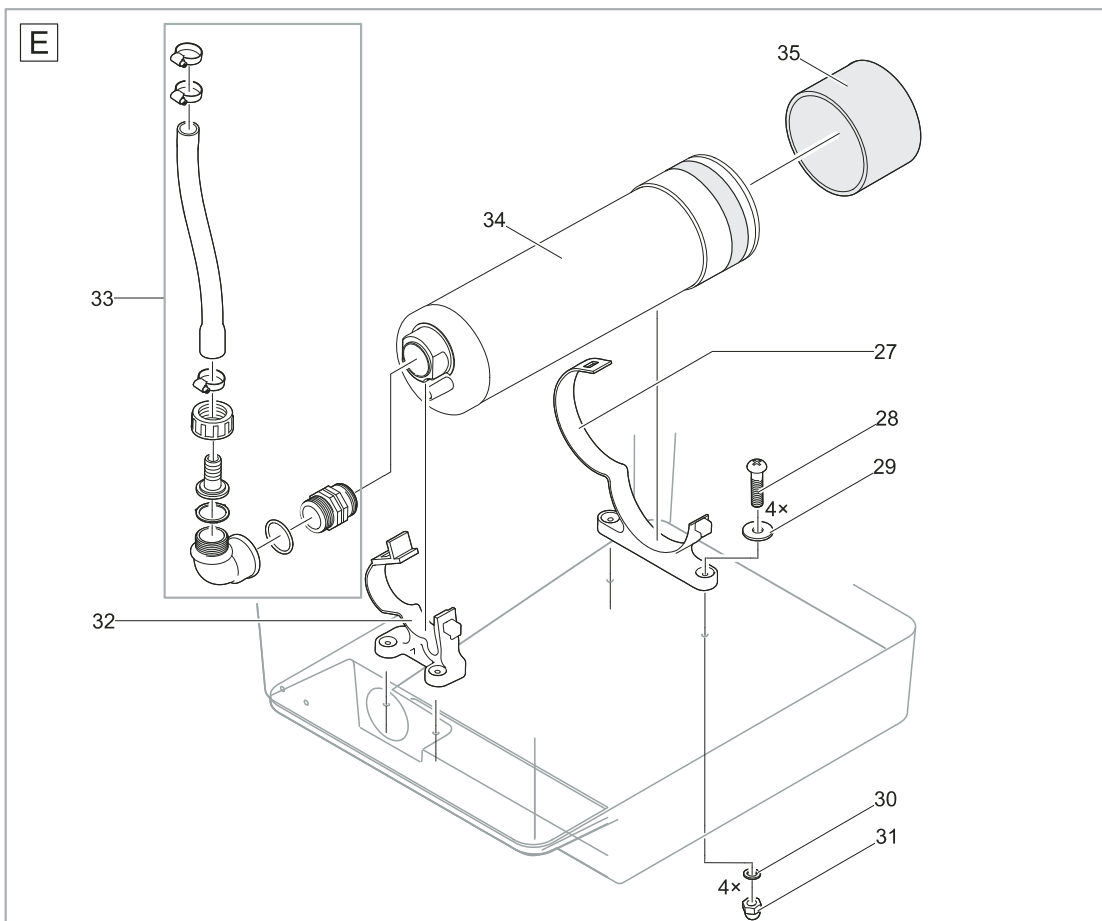
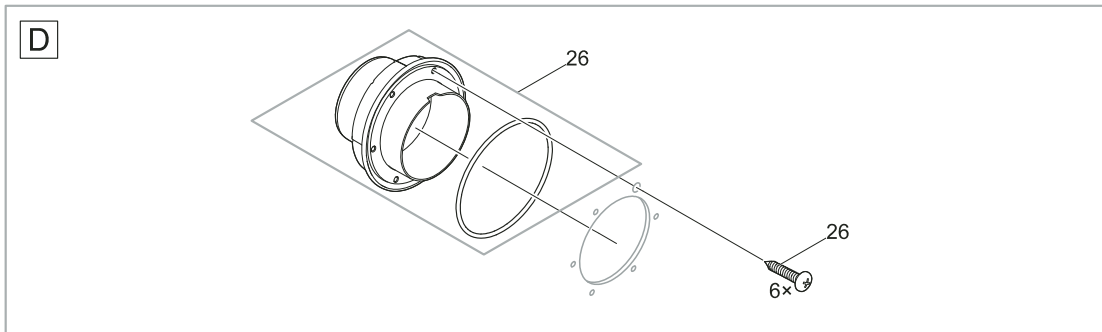
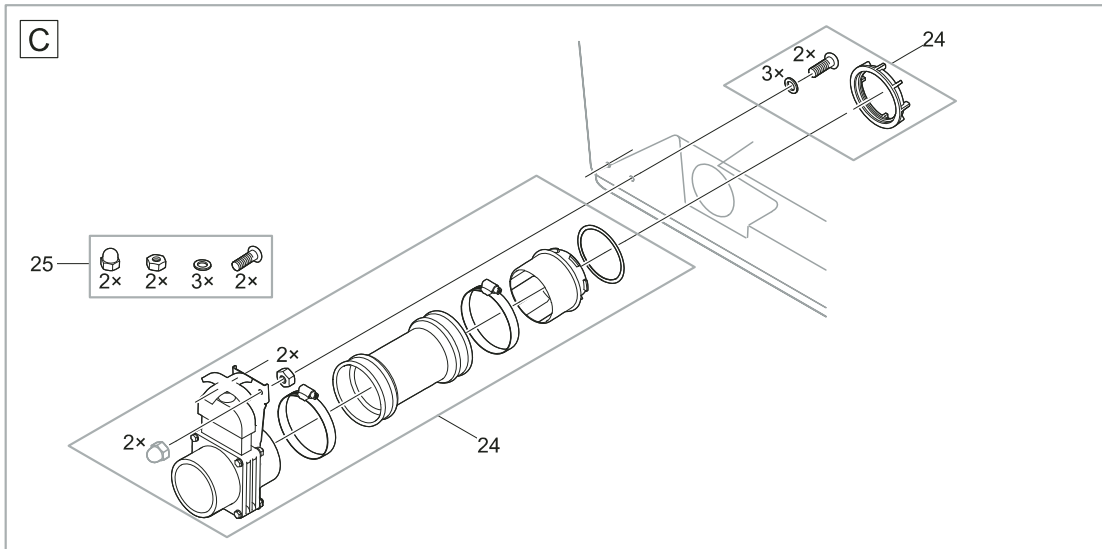
Produkt / Product

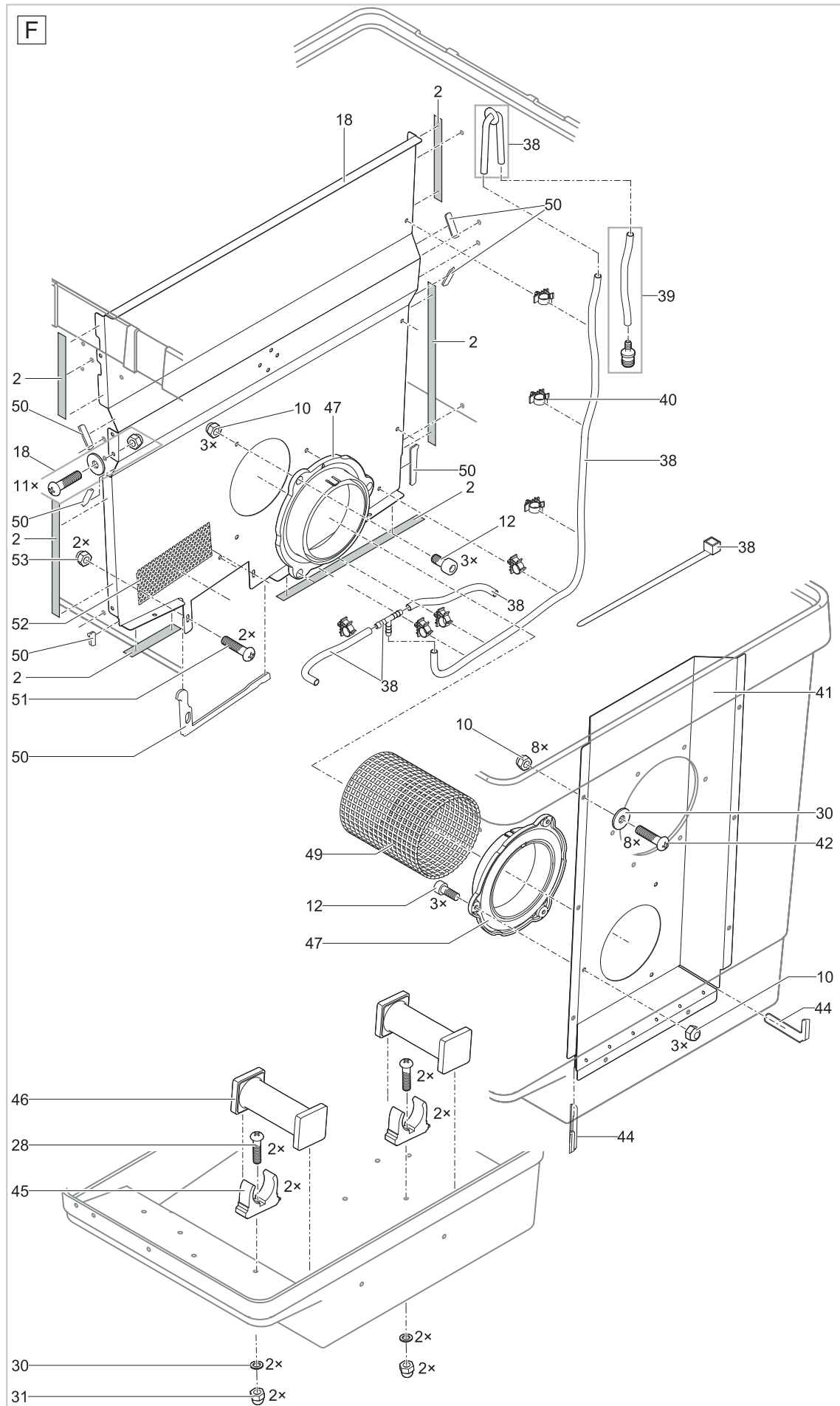
42906 ProfiClear Premium Compact gepumpt

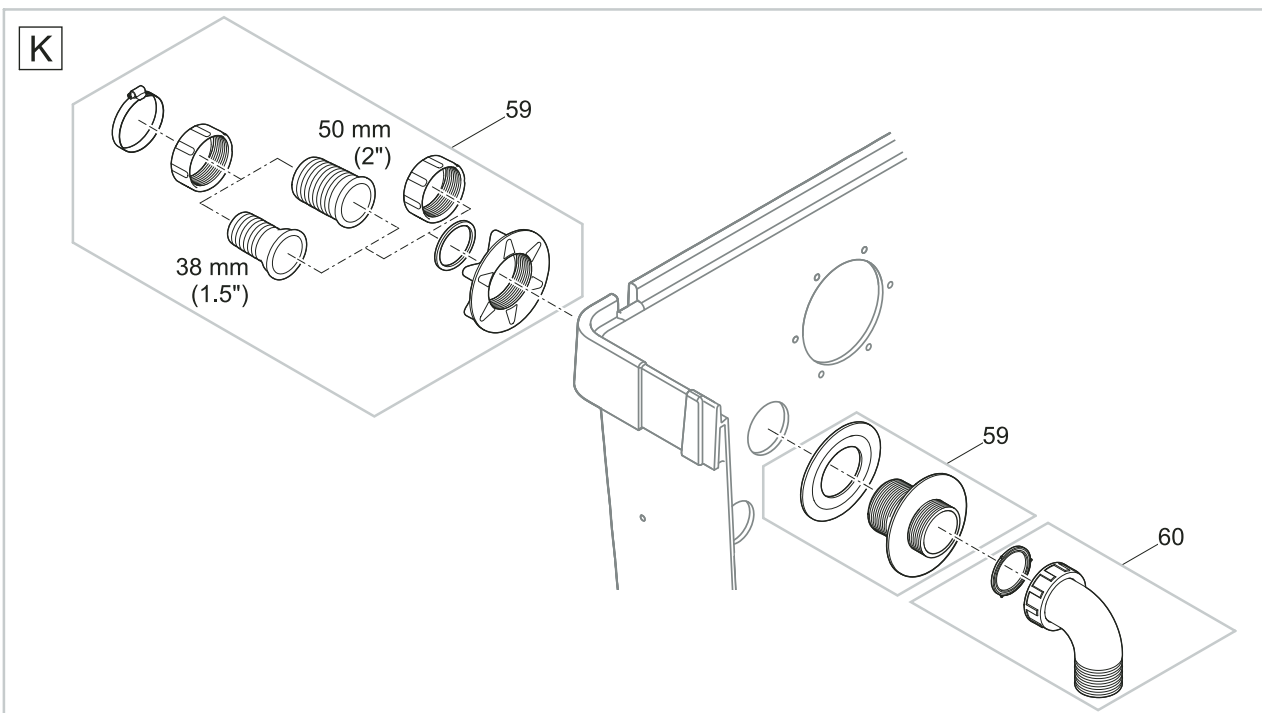
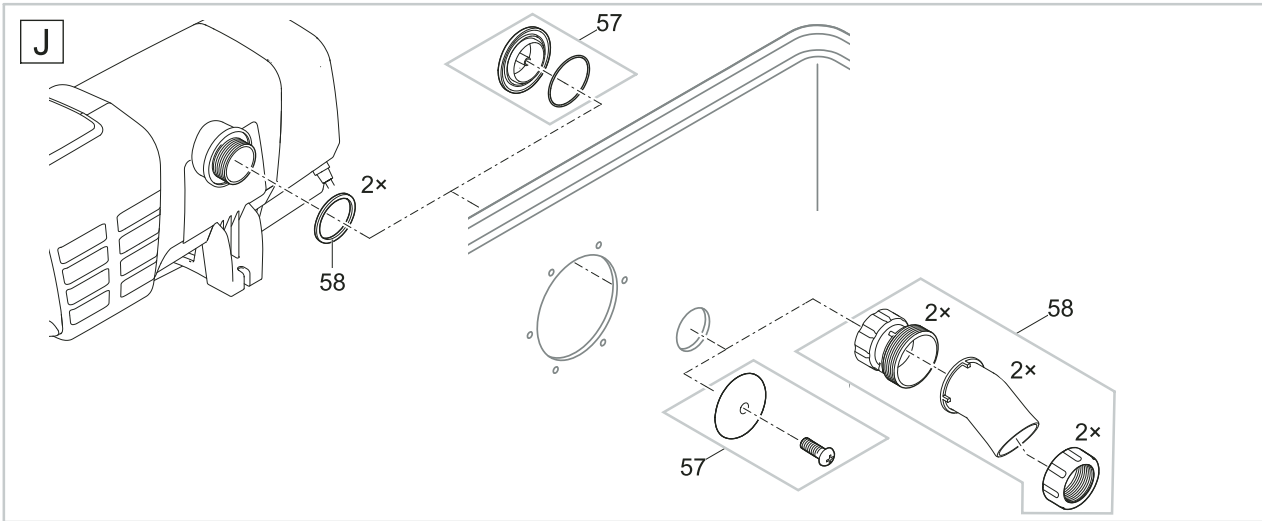
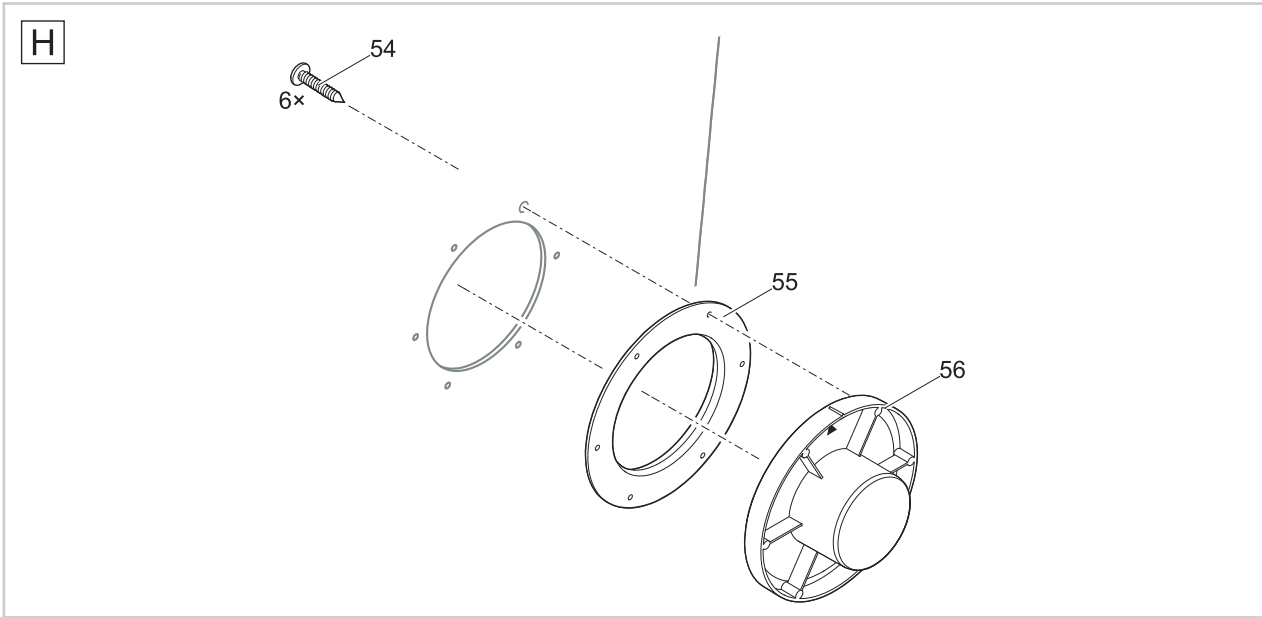


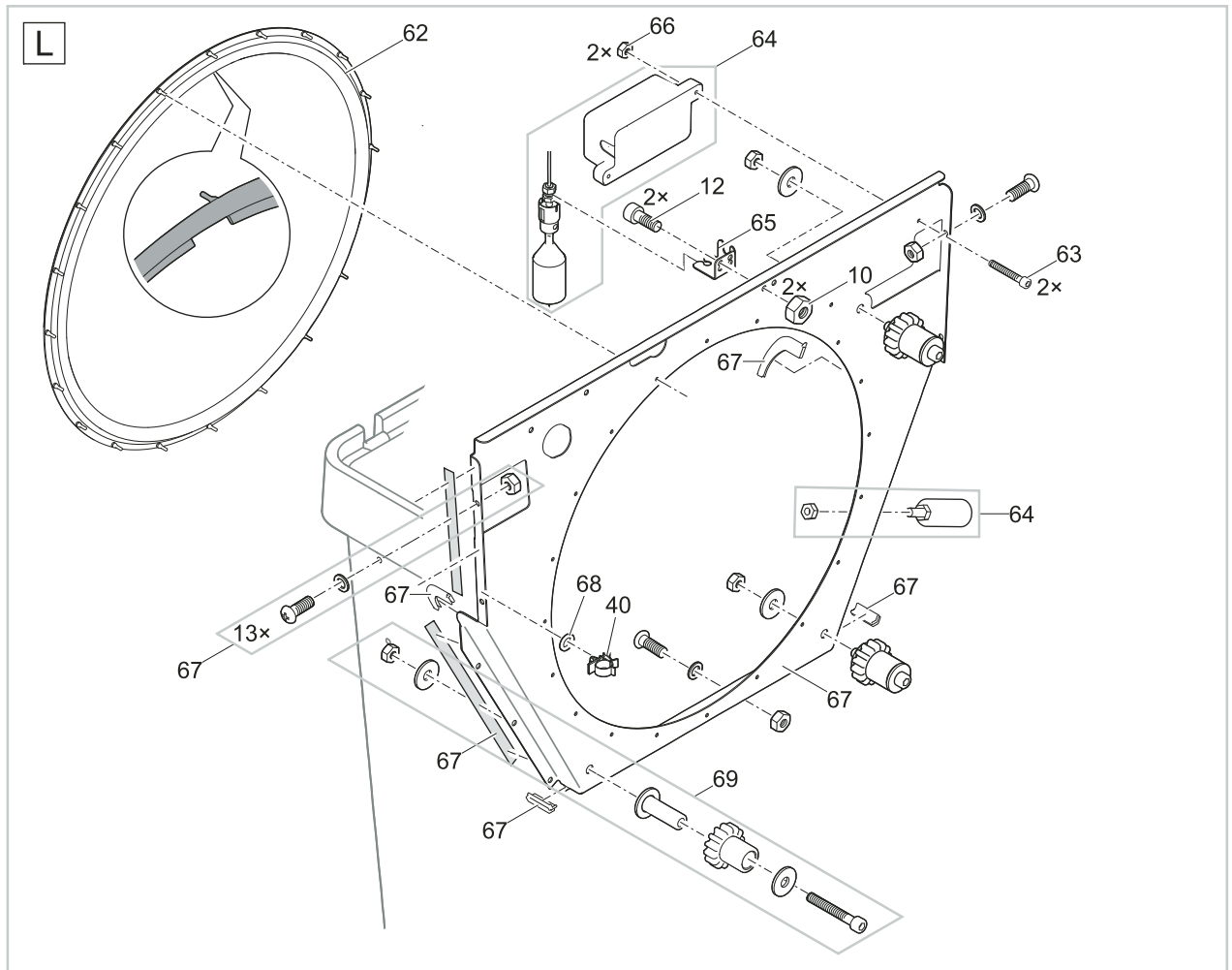








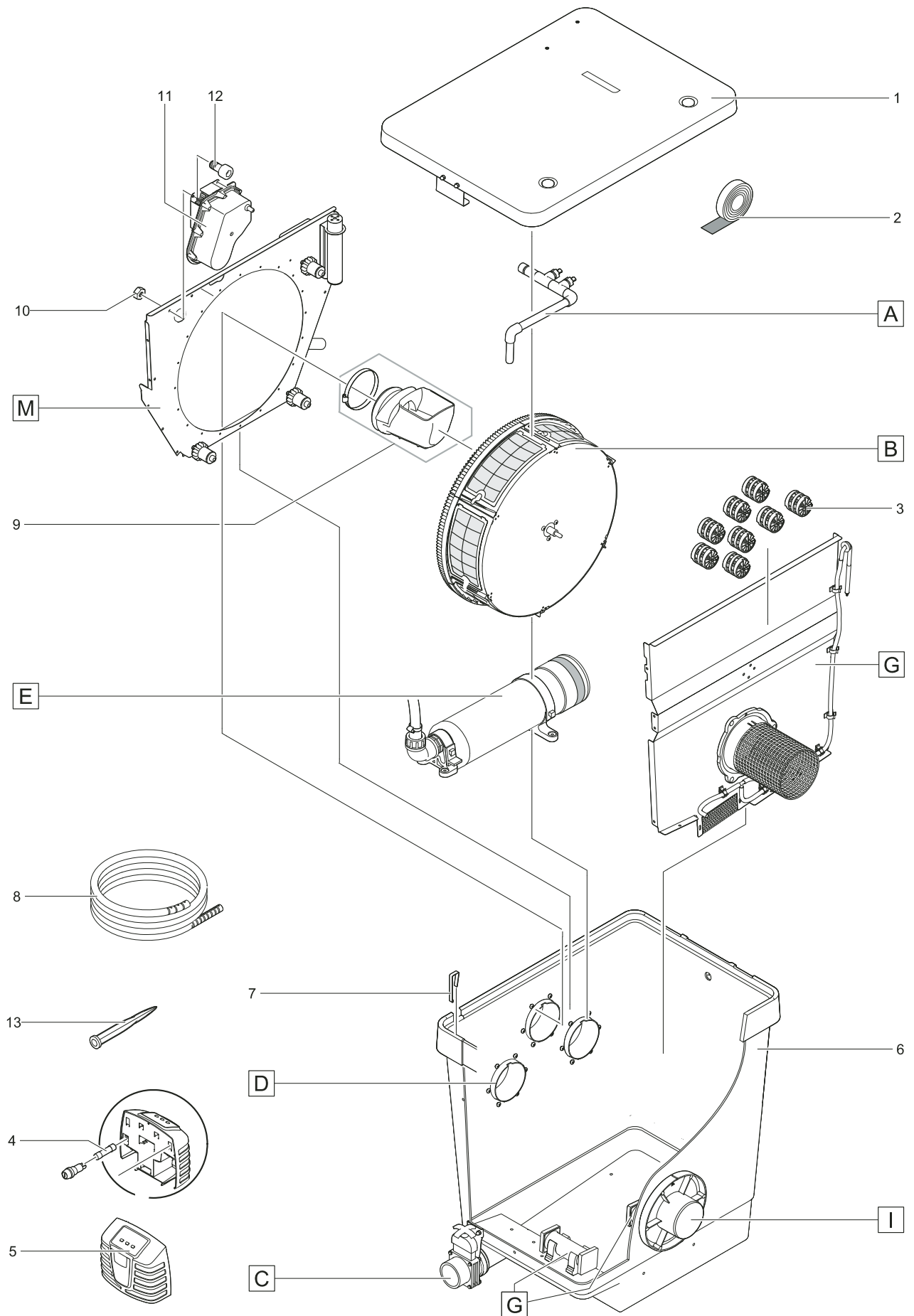




Pos.	Produkt / Product	Artikelnr. / Item no.	Ersatzteil	Spare part
1	ProfiClear Premium Compact gepumpt	18795	Ersatz Deckel kpl. Trommelfilter	Spare part lid cpl. drum filter
2	ProfiClear Premium Compact gepumpt	21981	Ersatz Deckelabdichtung Trommelfilter	Spare cover gasket seal drum filter
3	ProfiClear Premium Compact gepumpt	43383	Beipack Hel-X 13 mm 20 l	Add. pack Hel-X 13 mm 20 l
4	ProfiClear Premium Compact gepumpt	18692	Schmelzsicherung T8A 250 V	Fuse T8A 250 V
5	ProfiClear Premium Compact gepumpt	43156	BG Steuerung Trommelfilter 2015	ASM controller drum filter 2015
6	ProfiClear Premium Compact gepumpt	42855	Behälter ProfiClear Compact gepumpt	Container ProfiClear Compact pump-fed
7	ProfiClear Premium Compact gepumpt	18842	Blechklammer Trommelfilter	Clip drum filter
8	ProfiClear Premium Compact gepumpt	11979	Kabelschutz Quintet / Trommelfilter	Cable protection Quintet / drum filter
9	ProfiClear Premium Compact gepumpt	40022	BG Schmutzrinne BioTec Premium 80000	ASM waste channel BioTec Premium 80000
10	ProfiClear Premium Compact gepumpt	6128	Sicherungsmutter V2A DIN 985 M6	Lock nut V2A DIN 985 M6
11	ProfiClear Premium Compact gepumpt	40078	BG Trommelmotor BioTec Premium 80000	ASM drum motor BioTec Premium 80000
12	ProfiClear Premium Compact gepumpt	15596	Schraube V4A DIN 912 M6 x 10	Screw V4A DIN 912 M6 x 10
14	ProfiClear Premium Compact gepumpt	44231	Ersatz Düse ProfiClear Premium Compact	Spare nozzle ProfiClear Premium Compact
15	ProfiClear Premium Compact gepumpt	43354	BG Spülrohr ProfiClear 2 Düsen	ASM cleaning tube ProfiClear 2 nozzles
16	ProfiClear Premium Compact gepumpt	41472	Ersatz Schlauchhalter BioTec / Compact	Spare hose bracket BioTec / Compact
17	ProfiClear Premium Compact gepumpt	41476	Ersatz Trommel BioTec / Compact	Spare drum BioTec / Compact
18	ProfiClear Premium Compact gepumpt	42858	Trennwand ProfiClear Compact Mitte Moving	Middle sep. wall ProfiClear Compact
19	ProfiClear Premium Compact gepumpt	18791	Ersatz Trommellager Trommelfilter	Spare drum bearing drum filter
20	ProfiClear Premium Compact gepumpt	16288	Trommelwelle Trommelfilter	Drum shaft
21	ProfiClear Premium Compact gepumpt	19515	Klappsplint V2A DIN 11023 – 6 mm	Locking pin V2A DIN 11023 – 6 mm

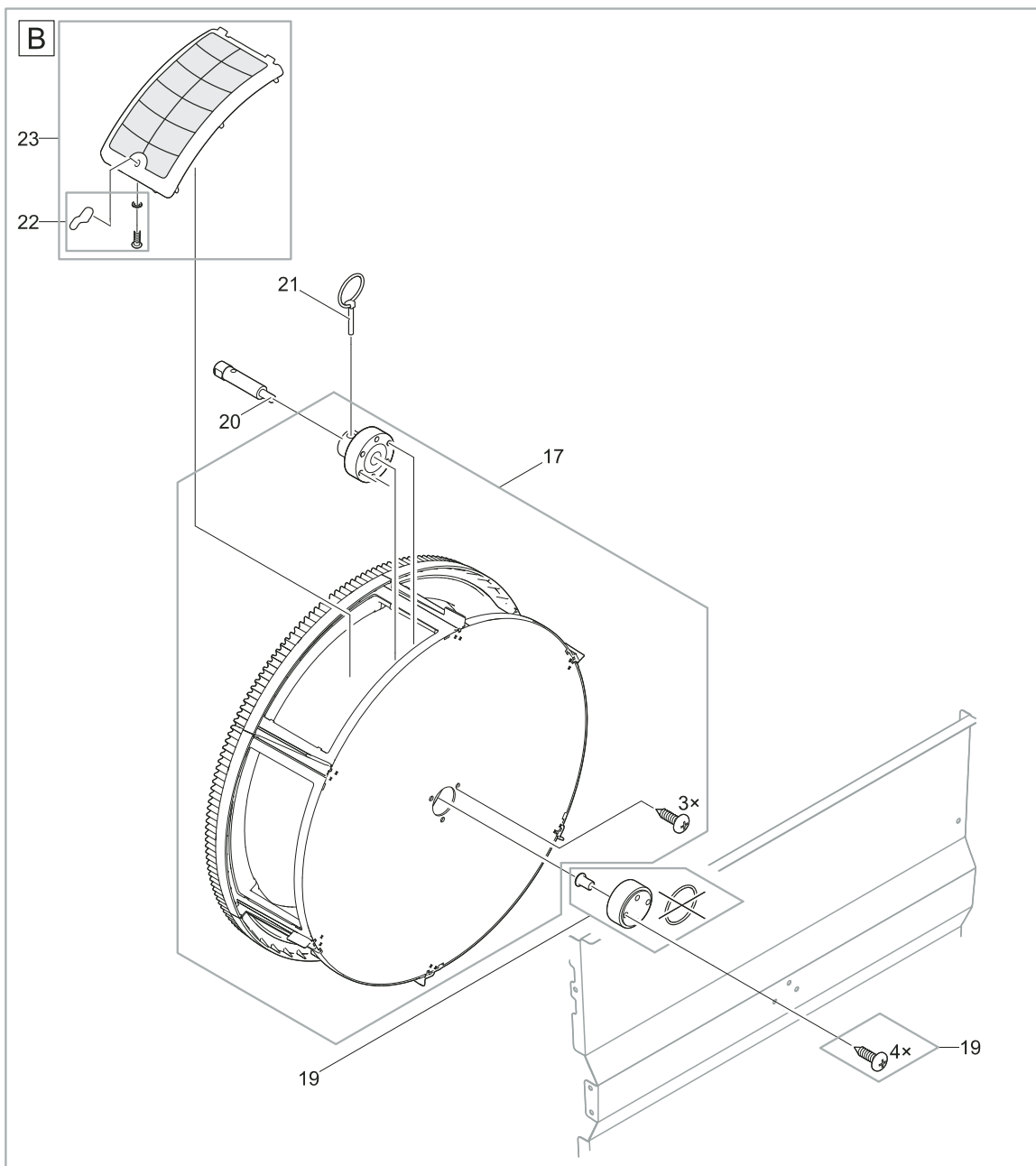
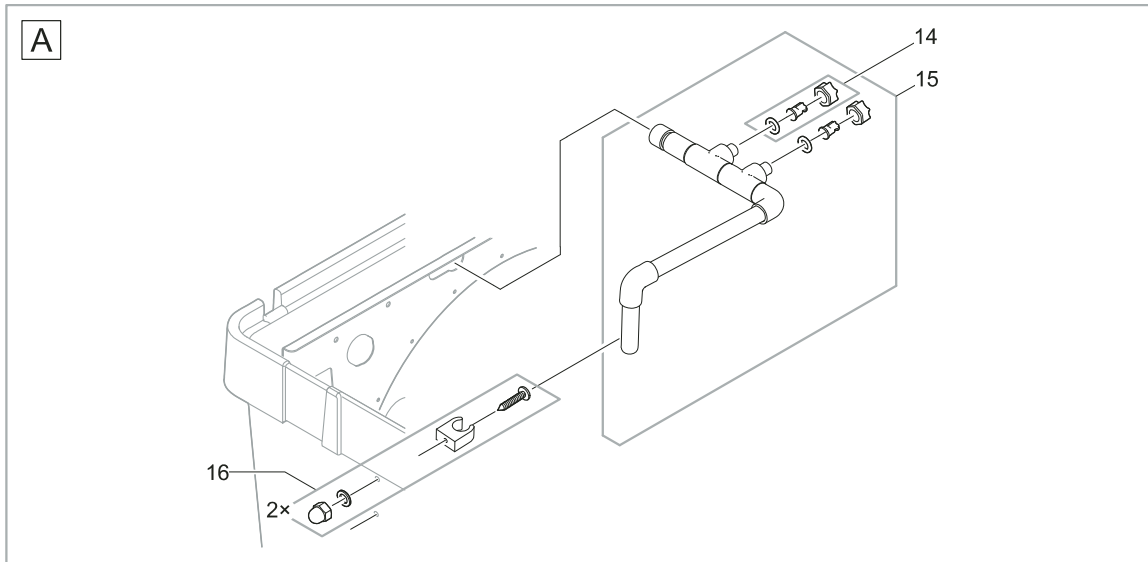
Pos.	Produkt / Product	Artikelnr. / Item no.	Ersatzteil	Spare part
22	ProfiClear Premium Compact gepumpt	41889	Ersatz Clip Trommelfilter	Spare clip drum filter
23	ProfiClear Premium Compact gepumpt	44227	Ersatz Sieb ProfiClear Compact 80 µm	Spare sieve ProfiClear Compact 80 µm
24	ProfiClear Premium Compact gepumpt	18446	Ersatz Abfluss DN75 Premium	Spare drain DN75 Premium
25	ProfiClear Premium Compact gepumpt	18448	Ersatzschrauben Abfluss DN75 Premium	Spare screws drain DN75 Premium
26	ProfiClear Premium Compact gepumpt	19005	BG Anschluss Set DN 110	ASM connection set DN 110
27	ProfiClear Premium Compact gepumpt	40114	Lagesicherung Spülpumpe hinten	Fastening kit rinse pump rear
28	ProfiClear Premium Compact gepumpt	17918	Linsenschraube V2A DIN 7985 M6 x 25	Oval head screw V2A DIN 7985 M6 x 25
29	ProfiClear Premium Compact gepumpt	6143	Unterlegscheibe VA DIN 9021 6,4	Washer VA DIN 9021 6.4
30	ProfiClear Premium Compact gepumpt	20609	Fiberscheibe DIN 7603 6 x 12 x 1 mm	Fiberplate DIN 7603 6 x 12 x 1 mm
31	ProfiClear Premium Compact gepumpt	6117	Hutmutter V2A DIN 1587 M6	Cap nut V2A DIN 1587 M6
32	ProfiClear Premium Compact gepumpt	40074	Lagesicherung Spülpumpe vorne	Fastening kit rinse pump front
33	ProfiClear Premium Compact gepumpt	41479	Ersatz Anschl. Spülpumpe BioTec / Compact	Spare connector waste pump BioTec/Comp.
34	ProfiClear Premium Compact gepumpt	40075	Spülpumpe 4 bar – 2 m Kabel	Rinse pump 4 bar – 2 m cable
35	ProfiClear Premium Compact gepumpt	18943	Vorfilter Spülpumpe	Pre-filter Rinse pump
38	ProfiClear Premium Compact gepumpt	44324	Ersatz Anschluss Sprudelstein Compact	Spare connection air stone Compact
39	ProfiClear Premium Compact gepumpt	42890	Beipack Luftanschluss ProfiClear Compact	Add. pack air connector ProfiClear Compact
40	ProfiClear Premium Compact gepumpt	19402	Kabelhalter Trommelfilter	Cable holder drum filter
41	ProfiClear Premium Compact gepumpt	42859	Trennwand ProfiClear Compact hinten Moving	Rear sep. wall ProfiClear Compact
42	ProfiClear Premium Compact gepumpt	14596	Linsenschraube V2A DIN 7985 M6 x 16	Oval head screw V2A DIN 7985 M6 x 16
44	ProfiClear Premium Compact gepumpt	43952	Dichtung Compact Trennwand hinten links	Gasket Compact sep. wall back left
45	ProfiClear Premium Compact gepumpt	17216	Lagesicherung Belüfterstab Biofilter	Airstone Clamp Moving Bed
46	ProfiClear Premium Compact gepumpt	42866	Sprudelstein ProfiClear Compact	Air stone ProfiClear Compact
47	ProfiClear Premium Compact gepumpt	43353	Gitterrohrhalter	Mesh tube bracket
49	ProfiClear Premium Compact gepumpt	42862	Gitterrohr ProfiClear Compact gepumpt	Mesh tube ProfiClear Compact pump-fed
50	ProfiClear Premium Compact gepumpt	44325	Ersatz Dichtungssatz Compact Mitte	Spare gasket set Compact middle
51	ProfiClear Premium Compact gepumpt	12370	Linsenschraube H-V2A DIN 7985 M5 x 10	Oval head screw H-V2A DIN 7985 M5 x 10
52	ProfiClear Premium Compact gepumpt	42860	Lochblech ProfiClear Compact Mitte	Perforated sheet ProfiClear Compact middle
53	ProfiClear Premium Compact gepumpt	14752	Sicherungsmutter V2A DIN 985 M5	Lock nut V2A DIN 985 M5
54	ProfiClear Premium Compact gepumpt	27572	Linsenschraube CZ-V2A DIN 7981 6,3 x 32	Oval head screw CZ-V2A DIN 7981 6.3 x 32
55	ProfiClear Premium Compact gepumpt	43756	Dichtung Gitterrohr 2016	Gasket mesh tube 2016
56	ProfiClear Premium Compact gepumpt	26963	Einlaufstutzen 100	Intake 100
57	ProfiClear Premium Compact gepumpt	35570	Ersatz-Stopfen kpl.	Replacement Plug
58	ProfiClear Premium Compact gepumpt	22746	Beipack Trommelfilter gepumpt II	Add. pack drum filter pump-fed II
59	ProfiClear Premium Compact gepumpt	18798	Ersatz Durchführung ProfiClear gepumpt	Spare grommet drum filter pump-fed
60	ProfiClear Premium Compact gepumpt	50540	Verbindungsbogen 2"/90° Bitron	Connection elbow 2"/90° Bitron
62	ProfiClear Premium Compact gepumpt	23192	Ersatz Trommeldichtung	Spare drum gasket
63	ProfiClear Premium Compact gepumpt	20320	Zylinderschraube V2A DIN 912 M4 x 20	Cylinder screw V2A DIN 912 M4 x 20
64	ProfiClear Premium Compact gepumpt	40129	BG Signalbox gepumpt	ASM signal box pumped
65	ProfiClear Premium Compact gepumpt	40099	Haltebl. Schwimmersch. BioTec/Comp. gep.	Mounting pl. float switch BioTec/Comp. pump
66	ProfiClear Premium Compact gepumpt	11113	Sechskantmutter V2A DIN 985 M4	Safety nut V2A DIN 985 M4
67	ProfiClear Premium Compact gepumpt	41481	Ersatz Trennwand BioTec/Compact gepumpt	Spare separating wall BioTec/Compact pump
68	ProfiClear Premium Compact gepumpt	19023	O-Ring EPDM 6 x 1,5 SH70 A	O-Ring EPDM 6 x 1.5 SH70 A
69	ProfiClear Premium Compact gepumpt	18794	Ersatz Laufrolle Trommelfilter	Spare plain roller drum filter

Produkt / Product  
42910 ProfiClear Premium Compact Gravitation



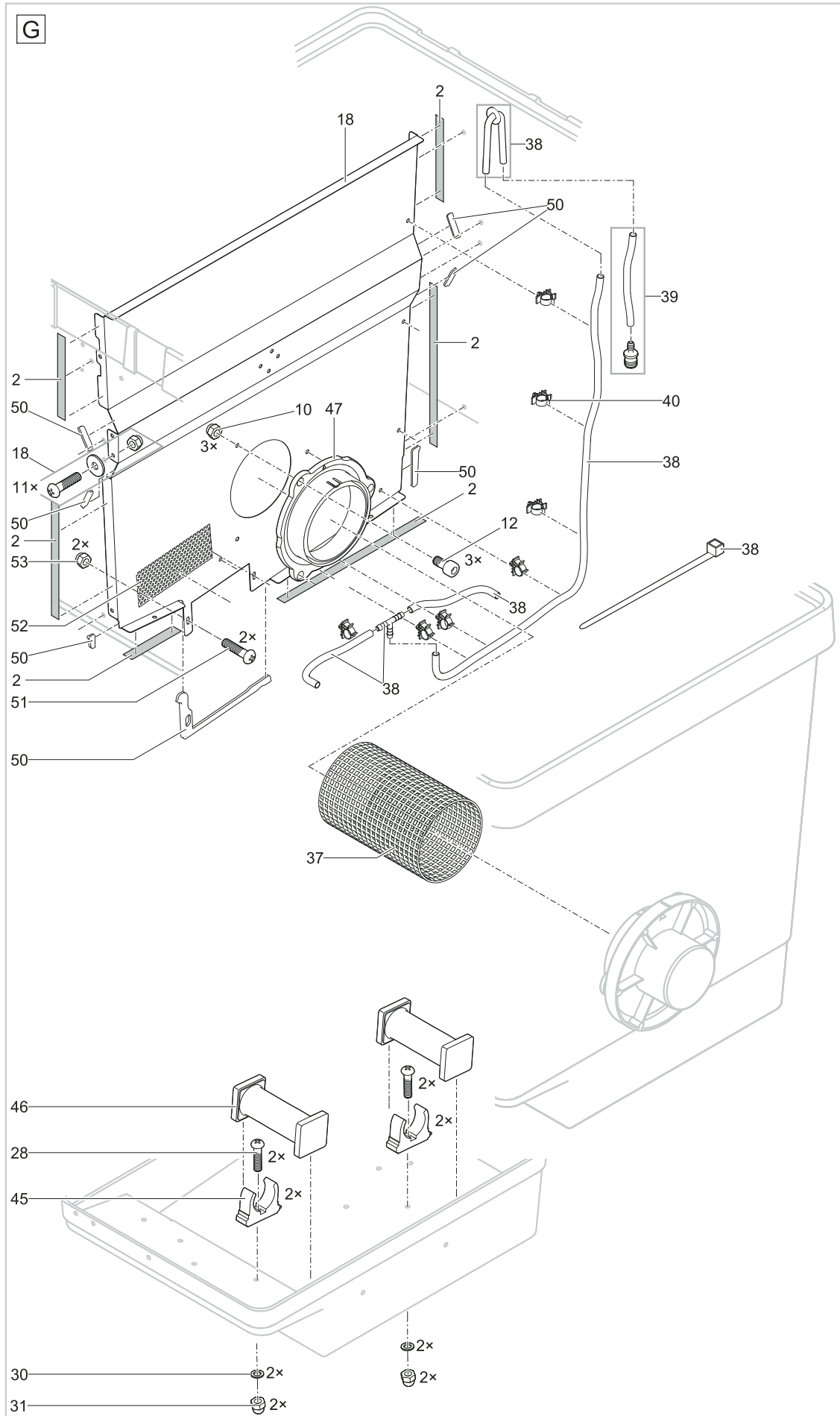
FILTER, UVC & BELÜFTUNG / FILTERS, UVC & AERATORS

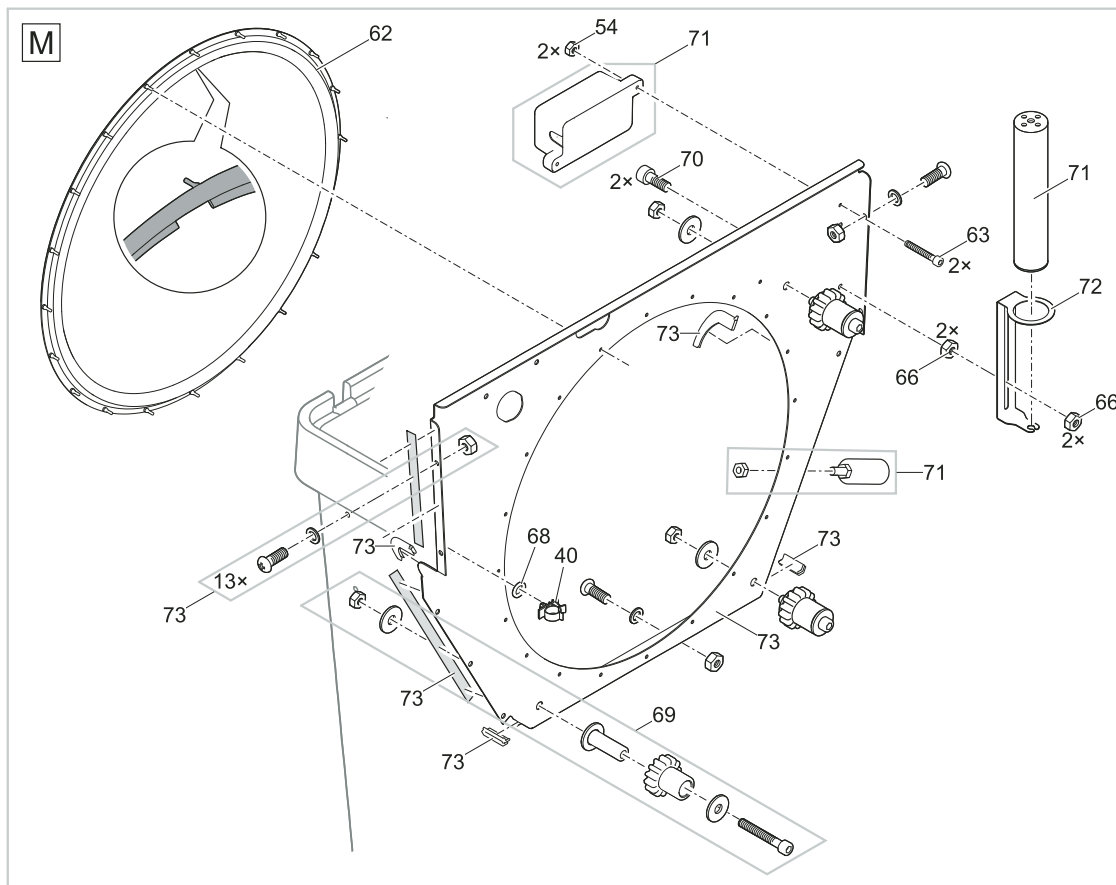
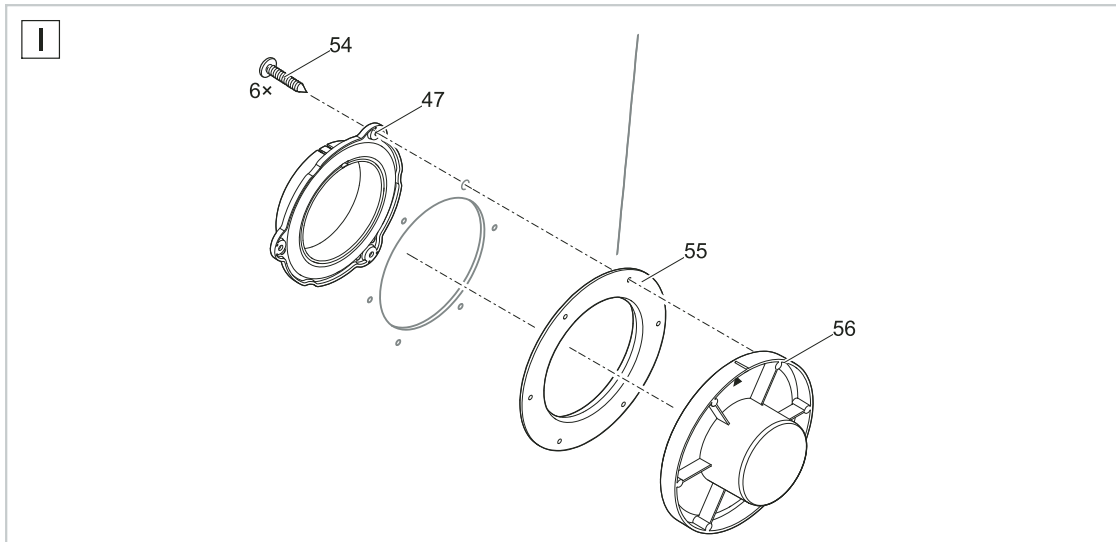
MODULARE DURCHLAUFILTER / MODULAR FLOW-THROUGH FILTERS









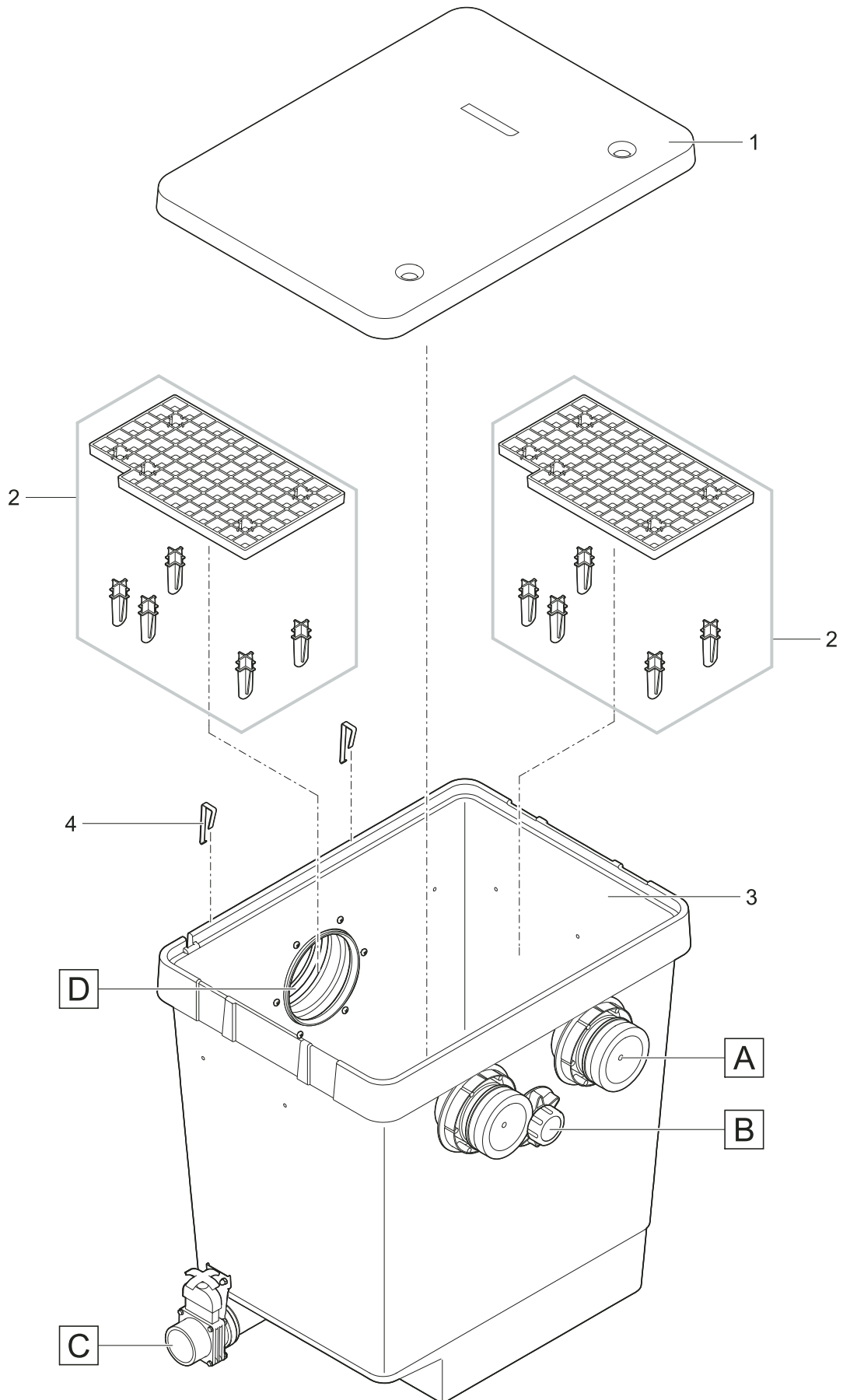


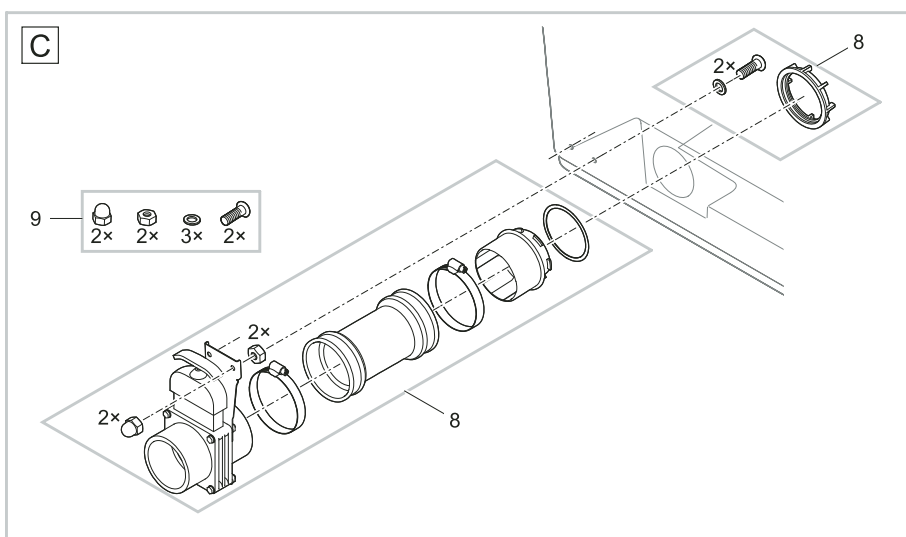
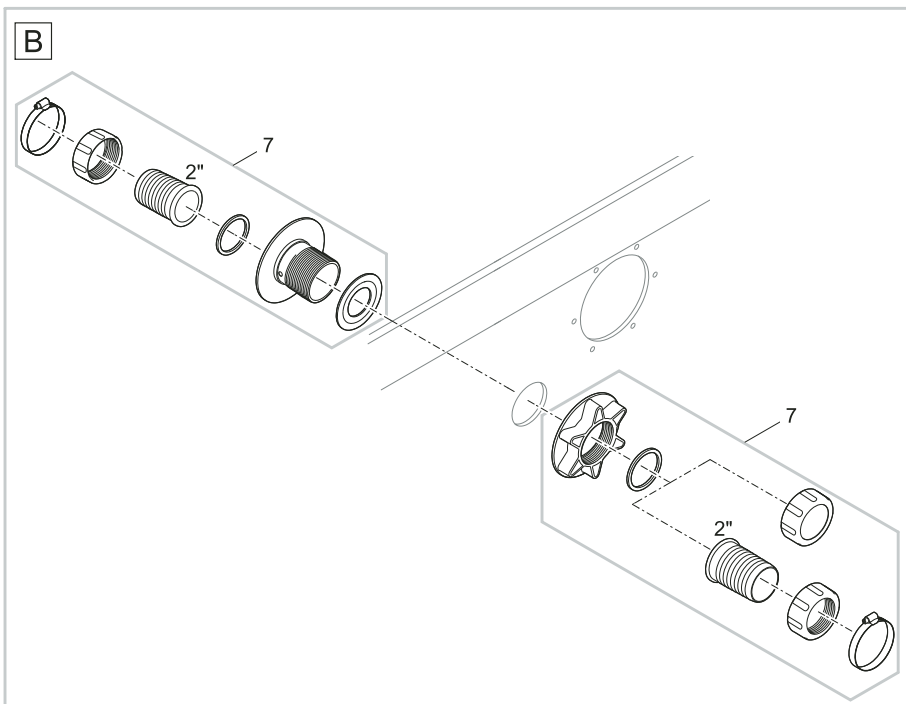
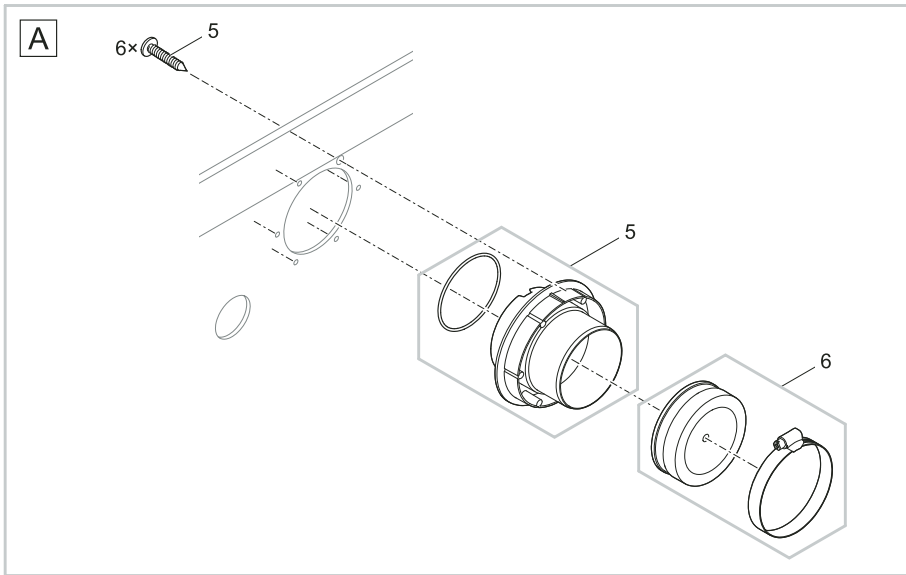
Pos.	Produkt / Product	Artikelnr. / Item no.	Ersatzteil	Spare part
1	ProfiClear Premium Compact Gravitation	18795	Ersatz Deckel kpl. Trommelfilter	Spare part lid cpl. drum filter
2	ProfiClear Premium Compact Gravitation	21981	Ersatz Deckelabdichtung Trommelfilter	Spare cover gasket seal drum filter
3	ProfiClear Premium Compact Gravitation	43383	Beipack Hel-X 13 mm 20 l	Add. pack Hel-X 13 mm 20 l
4	ProfiClear Premium Compact Gravitation	18692	Schmelzsicherung T8A 250 V	Fuse T8A 250 V
5	ProfiClear Premium Compact Gravitation	43156	BG Steuerung Trommelfilter 2015	ASM controller drum filter 2015
6	ProfiClear Premium Compact Gravitation	42854	Behälter ProfiClear Compact Gravitation	Container ProfiClear Compact gravity
7	ProfiClear Premium Compact Gravitation	18842	Blechklammer Trommelfilter	Clip drum filter
8	ProfiClear Premium Compact Gravitation	11979	Kabelschutz Quintet / Trommelfilter	Cable protection Quintet / drum filter

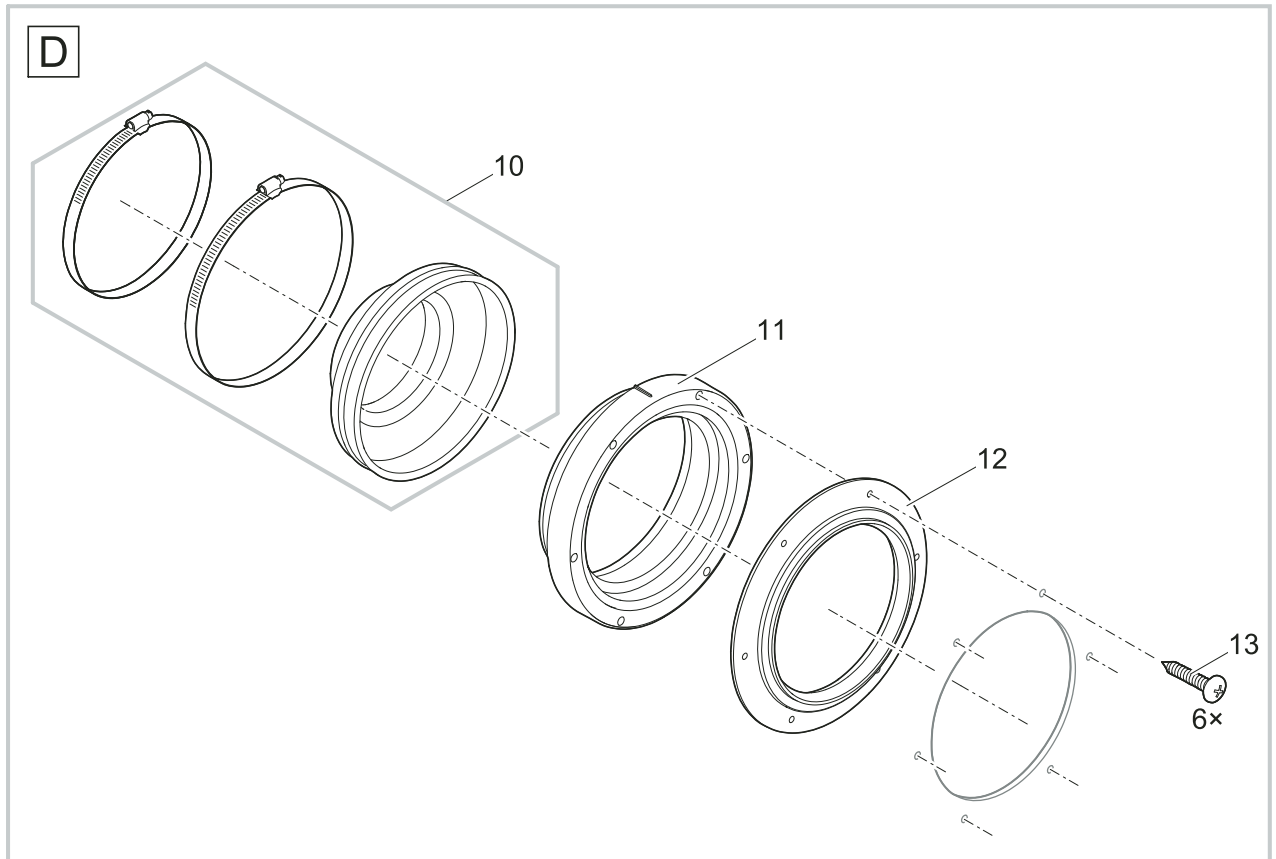
Pos.	Produkt / Product	Artikelnr. / Item no.	Ersatzteil	Spare part
9	ProfiClear Premium Compact Gravitation	40022	BG Schmutzrinne BioTec Premium 80000	ASM waste channel BioTec Premium 80000
10	ProfiClear Premium Compact Gravitation	6128	Sicherungsmutter V2A DIN 985 M6	Lock nut V2A DIN 985 M6
11	ProfiClear Premium Compact Gravitation	16555	BG Trommelmotor	ASM drum motor
12	ProfiClear Premium Compact Gravitation	15596	Schraube V4A DIN 912 M6 x 10	Screw V4A DIN 912 M6 x 10
13	ProfiClear Premium Compact Gravitation	20284	Erdspieß	Spike
14	ProfiClear Premium Compact Gravitation	44231	Ersatz Düse ProfiClear Premium Compact	Spare nozzle ProfiClear Premium Compact
15	ProfiClear Premium Compact Gravitation	43354	BG Spülrohr ProfiClear 2 Düsen	ASM cleaning tube ProfiClear 2 nozzles
16	ProfiClear Premium Compact Gravitation	41472	Ersatz Schlauchhalter BioTec / Compact	Spare hose bracket BioTec / Compact
17	ProfiClear Premium Compact Gravitation	41476	Ersatz Trommel BioTec / Compact	Spare drum BioTec / Compact
18	ProfiClear Premium Compact Gravitation	42858	Trennwand ProfiCl. Compact Mitte Moving	Middle sep. wall ProfiCl. Compact
19	ProfiClear Premium Compact Gravitation	18791	Ersatz Trommellager Trommelfilter	Spare drum bearing drum filter
20	ProfiClear Premium Compact Gravitation	16288	Trommelwelle Trommelfilter	Drum shaft
21	ProfiClear Premium Compact Gravitation	19515	Klappsplint V2A DIN 11023 – 6 mm	Locking pin V2A DIN 11023 – 6 mm
22	ProfiClear Premium Compact Gravitation	41889	Ersatz Clip Trommelfilter	Spare clip drum filter
23	ProfiClear Premium Compact Gravitation	44227	Ersatz Sieb ProfiClear Compact 80 µm	Spare sieve ProfiClear Compact 80 µm
24	ProfiClear Premium Compact Gravitation	18446	Ersatz Abfluss DN75 Premium	Spare drain DN75 Premium
25	ProfiClear Premium Compact Gravitation	18448	Ersatzschrauben Abfluss DN75 Premium	Spare screws drain DN75 Premium
26	ProfiClear Premium Compact Gravitation	19005	BG Anschluss Set DN 110	ASM connection set DN 110
27	ProfiClear Premium Compact Gravitation	40114	Lagesicherung Spülpumpe hinten	Fastening kit rinse pump rear
28	ProfiClear Premium Compact Gravitation	17918	Linsenschraube V2A DIN 7985 M6 x 25	Oval head screw V2A DIN 7985 M6 x 25
29	ProfiClear Premium Compact Gravitation	6143	Unterlegscheibe VA DIN 9021 6,4	Washer VA DIN 9021 6.4
30	ProfiClear Premium Compact Gravitation	20609	Fiberscheibe DIN 7603 6 x 12 x 1 mm	Fiberplate DIN 7603 6 x 12 x 1 mm
31	ProfiClear Premium Compact Gravitation	6117	Hutmutter V2A DIN 1587 M6	Cap nut V2A DIN 1587 M6
32	ProfiClear Premium Compact Gravitation	40074	Lagesicherung Spülpumpe vorne	Fastening kit rinse pump front
33	ProfiClear Premium Compact Gravitation	41479	Ersatz Anschl. Spülpumpe BioTec / Compact	Spare connector waste pump BioTec / Comp.
34	ProfiClear Premium Compact Gravitation	43077	Spülpumpe 4 bar – 6,35 m Kabel	Rinse pump 4 bar – 6.35 m cable
35	ProfiClear Premium Compact Gravitation	18943	Vorfilter Spülpumpe	Pre-filter Slush pump
37	ProfiClear Premium Compact Gravitation	42863	Gitterrohr ProfiClear Compact Gravitation	Mesh tube ProfiClear Compact gravity
38	ProfiClear Premium Compact Gravitation	44324	Ersatz Anschluss Sprudelstein Compact	Spare connection air stone Compact
39	ProfiClear Premium Compact Gravitation	42890	Beipack Luftanschluss ProfiClear Compact	Add. pack air connector ProfiClear Compact
40	ProfiClear Premium Compact Gravitation	19402	Kabelhalter Trommelfilter	Cable holder drum filter
45	ProfiClear Premium Compact Gravitation	17216	Lagesicherung Belüfterstab Biofilter	Airstone Clamp Moving Bed
46	ProfiClear Premium Compact Gravitation	42866	Sprudelstein ProfiClear Compact	Air stone ProfiClear Compact
47	ProfiClear Premium Compact Gravitation	43353	Gitterrohrhalter	Mesh tube bracket
50	ProfiClear Premium Compact Gravitation	44325	Ersatz Dichtungssatz Compact Mitte	Spare gasket set Compact middle
51	ProfiClear Premium Compact Gravitation	12370	Linsenschraube H-V2A DIN 7985 M5 x 10	Oval head screw H-V2A DIN 7985 M5 x 10
52	ProfiClear Premium Compact Gravitation	42860	Lochblech ProfiClear Compact Mitte	Perforated sheet ProfiClear Compact middle
53	ProfiClear Premium Compact Gravitation	14752	Sicherungsmutter V2A DIN 985 M5	Lock nut V2A DIN 985 M5
54	ProfiClear Premium Compact Gravitation	27572	Linsenschraube CZ-V2A DIN 7981 6,3 x 32	Oval head screw CZ-V2A DIN 7981 6.3 x 32
55	ProfiClear Premium Compact Gravitation	43756	Dichtung Gitterrohr 2016	Gasket mesh tube 2016
56	ProfiClear Premium Compact Gravitation	26963	Einlaufstutzen 100	Intake 100
62	ProfiClear Premium Compact Gravitation	23192	Ersatz Trommeldichtung	Spare drum gasket
63	ProfiClear Premium Compact Gravitation	20320	Zylinderschraube V2A DIN 912 M4 x 20	Cylinder screw V2A DIN 912 M4 x 20
66	ProfiClear Premium Compact Gravitation	11113	Sechskantmutter V2A DIN 985 M4	Safety nut V2A DIN 985 M4
68	ProfiClear Premium Compact Gravitation	19023	O-Ring EPDM 6 x 1,5 SH70 A	O-Ring EPDM 6 x 1.5 SH70 A
69	ProfiClear Premium Compact Gravitation	18794	Ersatz Laufrolle Trommelfilter	Spare plain roller drum filter
70	ProfiClear Premium Compact Gravitation	5949	Zylinderschraube V2A DIN 912 6 x 16	Cylinder screw V2A DIN 912 6 x 16
71	ProfiClear Premium Compact Gravitation	27977	BG Signalbox Trommelfilter Gravitation	ASM signal box drum filter Gravity
72	ProfiClear Premium Compact Gravitation	16611	Halteblech Schwimmerschalter	Mounting plate float switch
73	ProfiClear Premium Compact Gravitation	44232	Ersatz Trennwand BioTec / Compact Gravitation	Spare seperating wall BioTec/Compact Grav.

Produkt / Product

42913 ProfiClear Pumpenkammer Compact / Classic



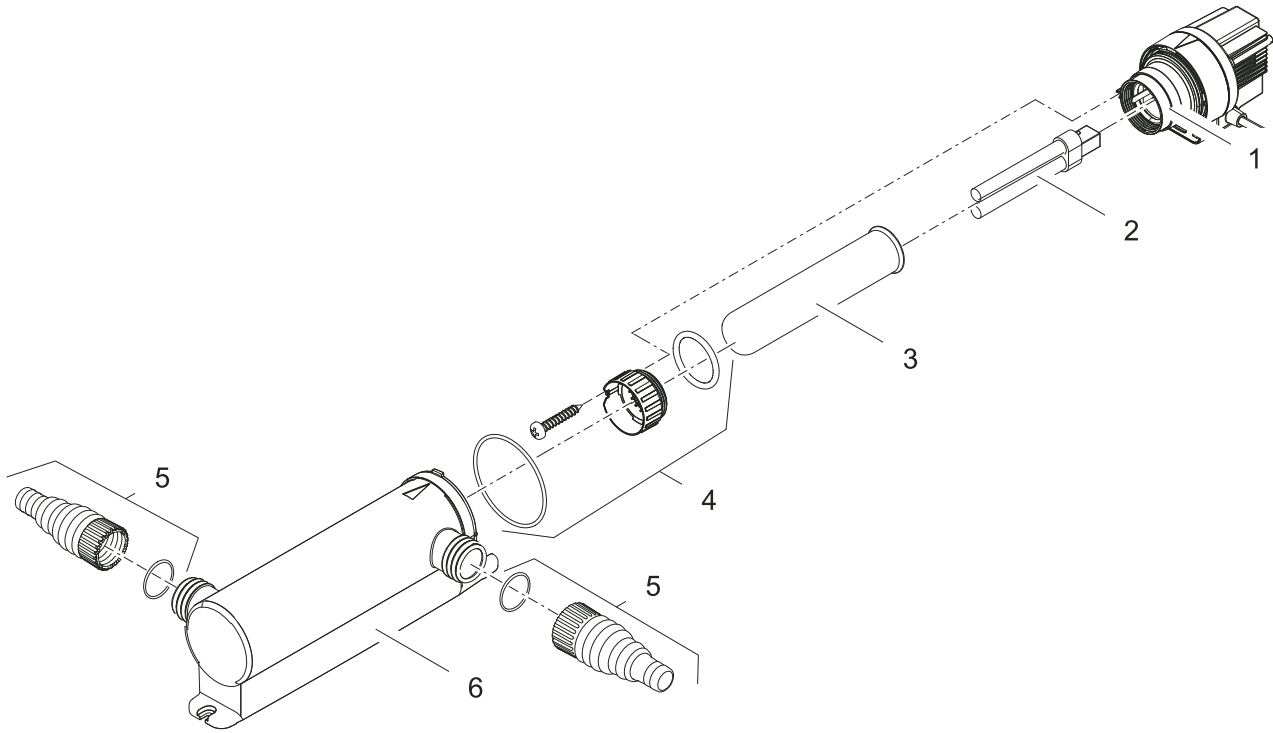




Pos.	Produkt / Product	Artikelnr. / Item no.	Ersatzteil	Spare part
1	ProfiClear Pumpenkammer Compact / Classic	19333	Deckel ProfiClear Premium	Cover ProfiClear Premium
2	ProfiClear Pumpenkammer Compact / Classic	35407	Ersatz Bodensieb inkl. Fuß ProfiClear	Spare base screen incl. foot ProfiClear
3	ProfiClear Pumpenkammer Compact / Classic	42856	Behälter ProfiClear Compact Pumpenkammer	Container ProfiClear Compact pump chamber
4	ProfiClear Pumpenkammer Compact / Classic	18842	Blechklammer Trommelfilter	Clip drum filter
5	ProfiClear Pumpenkammer Compact / Classic	19005	BG Anschluss Set DN 110	ASM connection set DN 110
6	ProfiClear Pumpenkammer Compact / Classic	16387	Verschlusskappe DN 110	Blanking cap DN 110
7	ProfiClear Pumpenkammer Compact / Classic	18833	Ersatz Durchführung ProfiClear Individual	Spare grommet ProfiClear individual
8	ProfiClear Pumpenkammer Compact / Classic	18446	Ersatz Abfluss DN75 Premium	Spare drain DN75 Premium
9	ProfiClear Pumpenkammer Compact / Classic	18448	Ersatzschrauben Abfluss DN75 Premium	Spare screws drain DN75 Premium
10	ProfiClear Pumpenkammer Compact / Classic	42980	BG Gummimuffe D185 auf D110 mm	ASM rubber bushing D185 on D110 mm
11	ProfiClear Pumpenkammer Compact / Classic	26987	Auslauf 150/2 ProfiClear M2 – M5	Outlet 150/2 ProfiClear M2 – M5
12	ProfiClear Pumpenkammer Compact / Classic	26957	Dichtung 150 verschraubt	Gasket 150 screwed
13	ProfiClear Pumpenkammer Compact / Classic	27572	Linsenschraube CZ-V2A DIN 7981 6,3 x 32	Oval head screw CZ-V2A DIN 7981 6.3 x 32

Produkt / Product

57370 Vitronic 11 W

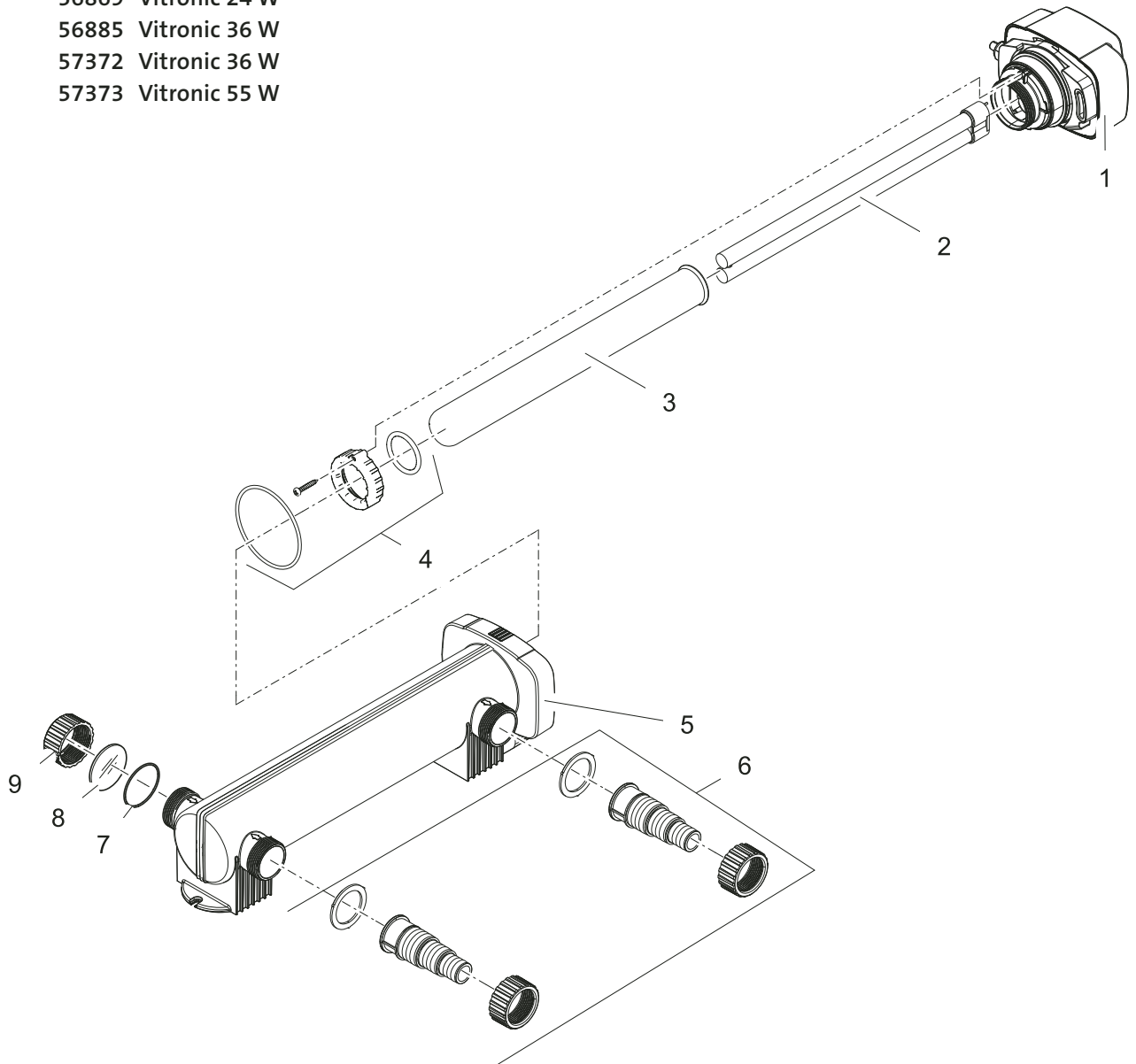


Pos.	Produkt / Product	Artikelnr. / Item no.	Ersatzteil	Spare part
1	Vitronic 11 W	15665	BG UVC 7/9/11 W 2011	ASM UVC 7/9/11 W 2011
2	Vitronic 11 W	13312	Ersatz Quarzglas UVC 7/9/11 W	Spare quartz glass UVC 7/9/11 W
	Vitronic 11 W	56112	Ersatzlampe UVC 11 W	Replacement bulb UVC 11 W
3	Vitronic 11 W	13312	Ersatz Quarzglas UVC 7/9/11 W	Spare quartz glass UVC 7/9/11 W
4	Vitronic 11 W	15535	Ersatz Klemmschrauben Set UVC 7/9/11 W	Spare part clip bolt set UVC 7/9/11 W
5	Vitronic 11 W	27576	Ersatzteil-Set Vorklärgerät 7/9/11 W	Spare part set UVC-cleaner 7/9/11 W
6	Vitronic 11 W	26940	Wassergehäuse UVC 7/9/11 W	Water housing UVC 7/9/11 W



Produkt / Product

- 56837 Vitronic 18 W
- 57371 Vitronic 18 W
- 56869 Vitronic 24 W
- 56885 Vitronic 36 W
- 57372 Vitronic 36 W
- 57373 Vitronic 55 W

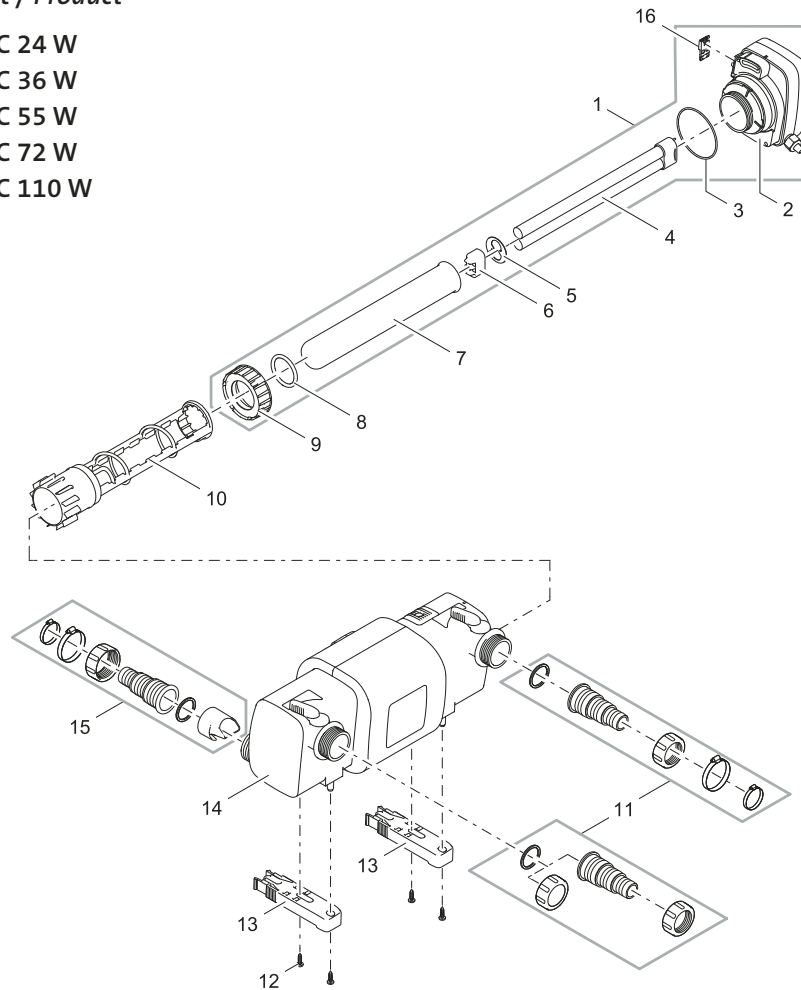


Pos.	Produkt / Product	Artikelnr. / Item no.	Ersatzteil	Spare part
1	Vitronic 18 W	35839	Ersatz Elektroeinheit Vitronic 18 W	Spare UVC electronics Vitronic 18 W
	Vitronic 18 W	35839	Ersatz Elektroeinheit Vitronic 18 W	Spare UVC electronics Vitronic 18 W
	Vitronic 24 W	22219	Ersatz Elektroeinheit Vitronic 24 W	Spare UVC electronics Vitronic 24 W
	Vitronic 36 W	35840	Ersatz Elektroeinheit Vitronic 36 W	Spare UVC electronics Vitronic 36 W
	Vitronic 36 W	35840	Ersatz Elektroeinheit Vitronic 36 W	Spare UVC electronics Vitronic 36 W
	Vitronic 55 W	35841	Ersatz Elektroeinheit Vitronic 55 W	Spare UVC electronics Vitronic 55 W
2	Vitronic 18 W	56236	Ersatzlampe UVC 18 W	Replacement bulb UVC 18 W
	Vitronic 18 W	56236	Ersatzlampe UVC 18 W	Replacement bulb UVC 18 W
	Vitronic 24 W	56237	Ersatzlampe UVC 24 W	Replacement bulb UVC 24 W
	Vitronic 36 W	55432	Ersatzlampe UVC 36 W	Replacement bulb UVC 36 W
	Vitronic 36 W	55432	Ersatzlampe UVC 36 W	Replacement bulb UVC 36 W
	Vitronic 55 W	56636	Ersatzlampe UVC 55 W	Replacement bulb UVC 55 W

Pos.	Produkt / Product	Artikelnr. / Item no.	Ersatzteil	Spare part
3	Vitronic 18 W	21763	Ersatz Quarzglas UVC 24 FiltoClear	Spare quartz glass UVC 24 FiltoClear
	Vitronic 18 W	13329	Ersatz Quarzglas UVC 18 Vitronic 18 W	Spare quartz glass UVC 18 Vitronic 18
	Vitronic 24 W	21763	Ersatz Quarzglas UVC 24 FiltoClear	Spare quartz glass UVC 24 FiltoClear
	Vitronic 36 W	21763	Ersatz Quarzglas UVC 24 FiltoClear	Spare quartz glass UVC 24 FiltoClear
	Vitronic 36 W	13331	Ersatz Quarzglasrohr Vitronic 36 / 55 W	Spare quartz glass tube Vitronic 36 / 55 W
	Vitronic 55 W	13331	Ersatz Quarzglasrohr Vitronic 36 / 55 W	Spare quartz glass tube Vitronic 36 / 55 W
4	Vitronic 18 – 55 W	15748	Ersatz Klemmschrauben Set UVC 18 / 36 / 55 W	Spare part clip bolt set UVC 18 / 36 / 55 W
5	Vitronic 18 W	22206	BG Wassergehäuse Vitronic 18 / 24 / 36 W	ASM waterhousing Vitronic 18 / 24 / 36 W
	Vitronic 18 W	35796	BG Wassergehäuse Vitronic 18 W	ASM waterhousing Vitronic 18 W
	Vitronic 24 W	22206	BG Wassergehäuse Vitronic 18 / 24 / 36 W	ASM waterhousing Vitronic 18 / 24 / 36 W
	Vitronic 36 W	22206	BG Wassergehäuse Vitronic 18 / 24 / 36 W	ASM waterhousing Vitronic 18 / 24 / 36 W
	Vitronic 36 W	35797	BG Wassergehäuse Vitronic 36 / 55 W	ASM waterhousing Vitronic 36 / 55 W
	Vitronic 55 W	35797	BG Wassergehäuse Vitronic 36 / 55 W	ASM waterhousing Vitronic 36 / 55 W
6	Vitronic 18 – 55 W	35877	Beipack Vitronic neu	Additional pack Vitronic new
7	Vitronic 18 W	19491	Flachdichtung Tülle 1½"	Flat gasket hose tail 1½"
	Vitronic 18 W	3555	O-Ring NBR 40 x 3 SH70 A	O-Ring NBR 40 x 3 SH70 A
	Vitronic 24 W	19491	Flachdichtung Tülle 1½"	Flat gasket hose tail 1½"
	Vitronic 36 W	19491	Flachdichtung Tülle 1½"	Flat gasket hose tail 1½"
	Vitronic 36 W	3555	O-Ring NBR 40 x 3 SH70 A	O-Ring NBR 40 x 3 SH70 A
	Vitronic 55 W	3555	O-Ring NBR 40 x 3 SH70 A	O-Ring NBR 40 x 3 SH70 A
8	Vitronic 18 W	29421	Schauglas Vitronic	Inspection glass Vitronic
	Vitronic 36 W	29421	Schauglas Vitronic	Inspection glass Vitronic
	Vitronic 55 W	29421	Schauglas Vitronic	Inspection glass Vitronic
9	Vitronic 18 W	15445	Verschlusskappe 20 mm G 1½"	Cap nut 20 mm G 1½"
	Vitronic 18 W	12096	Überwurfmutter 1½"	Coupling nut 1½"
	Vitronic 24 W	15445	Verschlusskappe 20 mm G 1½"	Cap nut 20 mm G 1½"
	Vitronic 36 W	15445	Verschlusskappe 20 mm G 1½"	Cap nut 20 mm G 1½"
	Vitronic 36 W	12096	Überwurfmutter 1½"	Coupling nut 1½"
	Vitronic 55 W	12096	Überwurfmutter 1½"	Coupling nut 1½"

Produkt / Product

- 56804 Bitron C 24 W
- 56799 Bitron C 36 W
- 56823 Bitron C 55 W
- 56901 Bitron C 72 W
- 56902 Bitron C 110 W



Pos.	Produkt / Product	Artikelnr. / Item no.	Ersatzteil	Spare part
1	Bitron C 24 W	30909	Ersatz UVC Kompletteinheit Bitron C 24 2014	Spare UVC cpl. unit Bitron C 24 2014
	Bitron C 36 W	30911	Ersatz UVC Kompletteinheit Bitron C 36 2014	Spare UVC cpl. unit Bitron C 36 2014
	Bitron C 55 W	30913	Ersatz UVC Kompletteinheit Bitron C 55 2014	Spare UVC cpl. unit Bitron C 55 2014
	Bitron C 72 W	30919	Ersatz UVC Kompletteinheit Bitron C 72 2014	Spare UVC cpl. unit Bitron C 72 2014
	Bitron C 110 W	30922	Ersatz UVC Kompletteinheit Bitron C 110 2014	Spare UVC cpl. unit Bitron C 110 2014
	Bitron C 110 W	2 x 56636	Ersatzlampe UVC 55 W	Replacement bulb UVC 55 W
2	Bitron C 24 W	30951	Ersatz UVC Elektronikeinheit Bitron C 24 2014	Spare UVC electronic Bitron C 24 2014
	Bitron C 36 W	30985	Ersatz UVC Elektronikeinheit Bitron C 36 2014	Spare UVC electronic Bitron C 36 2014
	Bitron C 55 W	30989	Ersatz UVC Elektronikeinheit Bitron C 55 2014	Spare UVC electronic Bitron C 55 2014
	Bitron C 72 W	30997	Ersatz UVC Elektronikeinheit Bitron C 72 2014	Spare UVC electronic Bitron C 72 2014
	Bitron C 110 W	31002	Ersatz UVC Elektronikeinheit Bitron C 110 2014	Spare UVC electronic Bitron C 110 2014
3	Bitron C 24 W	24850	O-Ring NBR 82 x 2 SH70	O-Ring NBR 82 x 2 SH70
	Bitron C 36 W	24850	O-Ring NBR 82 x 2 SH70	O-Ring NBR 82 x 2 SH70
	Bitron C 55 W	24850	O-Ring NBR 82 x 2 SH70	O-Ring NBR 82 x 2 SH70
	Bitron C 72 W	27148	O-Ring NBR 102 x 3 SH50 A	O-Ring NBR 102 x 3 SH50 A
	Bitron C 110 W	27148	O-Ring NBR 102 x 3 SH50 A	O-Ring NBR 102 x 3 SH50 A
4	Bitron C 24 W	56237	Ersatzlampe UVC 24 W	Replacement bulb UVC 24 W
	Bitron C 36 W	55432	Ersatzlampe UVC 36 W	Replacement bulb UVC 36 W
	Bitron C 55 W	56636	Ersatzlampe UVC 55 W	Replacement bulb UVC 55 W
	Bitron C 72 W	2 x 55432	Ersatzlampe UVC 36 W	Replacement bulb UVC 36 W
	Bitron C 110 W	2 x 56636	Ersatzlampe UVC 55 W	Replacement bulb UVC 55 W

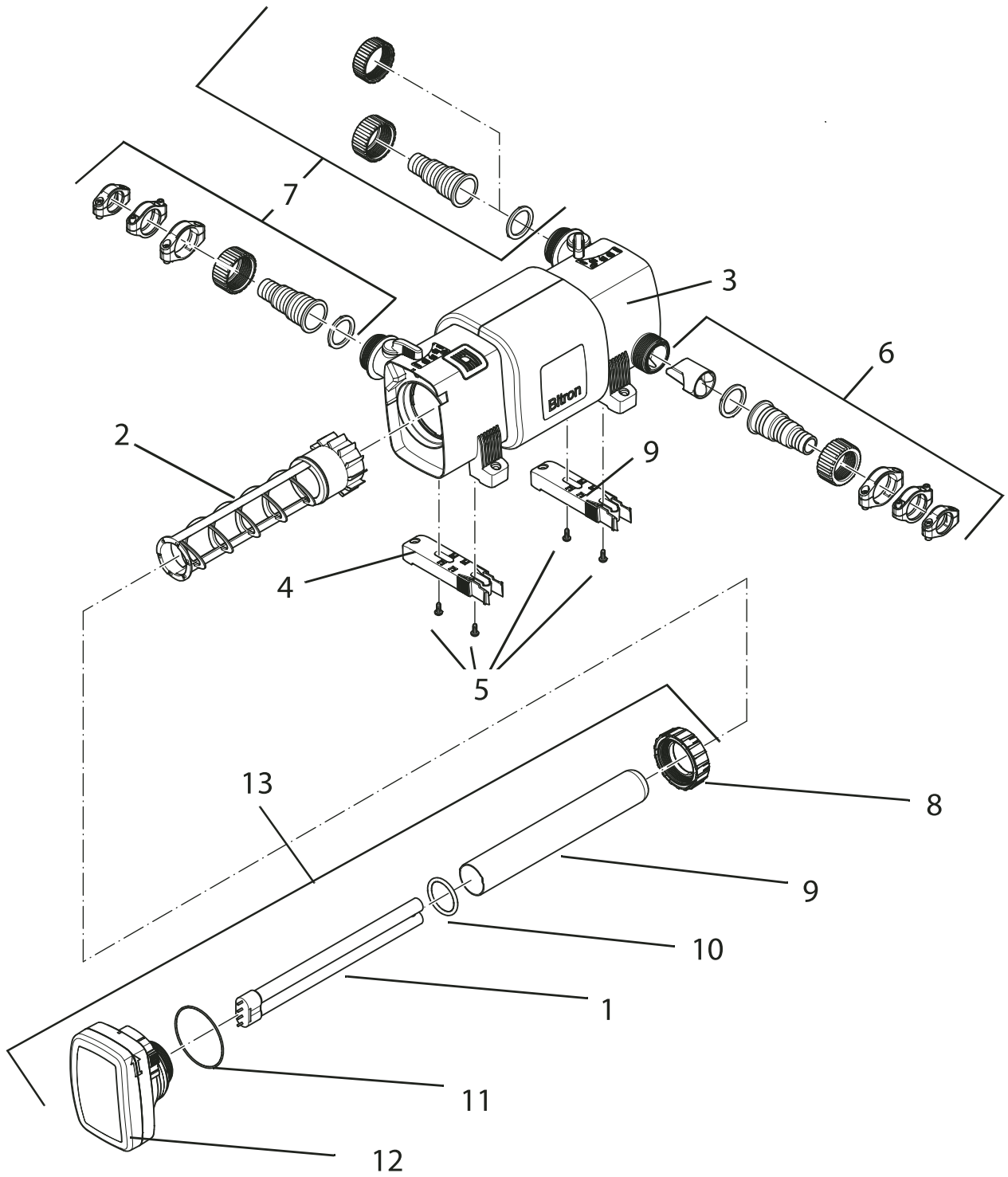
Pos.	Produkt / Product	Artikelnr. / Item no.	Ersatzteil	Spare part
5	Bitron C 24 W	24232	Halteblech UVC-Lampe Bitron 18 / 24 / 36 / 55	Holding plate UVC-lamp Bitron 18 / 24 / 36 / 55
	Bitron C 36 W	24232	Halteblech UVC-Lampe Bitron 18 / 24 / 36 / 55	Holding plate UVC-lamp Bitron 18 / 24 / 36 / 55
	Bitron C 55 W	24232	Halteblech UVC-Lampe Bitron 18 / 24 / 36 / 55	Holding plate UVC-lamp Bitron 18 / 24 / 36 / 55
	Bitron C 72 W	19448	Halteblech UVC-Lampe	Holding plate UVC lamp
	Bitron C 110 W	19448	Halteblech UVC-Lampe	Holding plate UVC lamp
6	Bitron C 24 W	30607	UVC Lampenschutz Bitron C 24 / 36 / 55 W	UVC lamp protection Bitron C 24 / 36 / 55 W
	Bitron C 36 W	30607	UVC Lampenschutz Bitron C 24 / 36 / 55 W	UVC lamp protection Bitron C 24 / 36 / 55 W
	Bitron C 55 W	30607	UVC Lampenschutz Bitron C 24 / 36 / 55 W	UVC lamp protection Bitron C 24 / 36 / 55 W
7	Bitron C 24 W	27579	Ersatz Quarzglas Bitron C 18 / 24 Bördelr.	Spare quartz glass Bitron C 18 / 24 beading
	Bitron C 36 W	27586	Ersatz Quarzglas Bitron C 36 / 55 Bördelr.	Spare quartz glass Bitron C 36 / 55 beading
	Bitron C 55 W	27586	Ersatz Quarzglas Bitron C 36 / 55 Bördelr.	Spare quartz glass Bitron C 36 / 55 beading
	Bitron C 72 W	13327	Ersatz Quarzglas Bitron C 72 / 110	Spare quartz glass Bitron C 72 / 110
	Bitron C 110 W	13327	Ersatz Quarzglas Bitron C 72 / 110	Spare quartz glass Bitron C 72 / 110
8	Bitron C 24 W	26143	O-Ring Viton 42 x 5 SH50	O-Ring Viton 42 x 5 SH50
	Bitron C 36 W	26143	O-Ring Viton 42 x 5 SH50	O-Ring Viton 42 x 5 SH50
	Bitron C 55 W	26143	O-Ring Viton 42 x 5 SH50	O-Ring Viton 42 x 5 SH50
	Bitron C 72 W	27117	O-Ring Viton 65 x 6 SH50 A	O-Ring Viton 65 x 6 SH50 A
	Bitron C 110 W	27117	O-Ring Viton 65 x 6 SH50 A	O-Ring Viton 65 x 6 SH50 A
9	Bitron C 24 W	35113	BG Klemmschraube Bitron C	ASM clamp screw Bitron C
	Bitron C 36 W	35113	BG Klemmschraube Bitron C	ASM clamp screw Bitron C
	Bitron C 55 W	35113	BG Klemmschraube Bitron C	ASM clamp screw Bitron C
	Bitron C 72 W	35330	BG Klemmschraube Bitron C 72 / 110	ASM clamp screw Bitron C 72 / 110
	Bitron C 110 W	35330	BG Klemmschraube Bitron C 72 / 110	ASM clamp screw Bitron C 72 / 110
10	Bitron C 24 W	42217	Ersatz Reinigungsrotor Bitron C 18 / 24	Spare cleaning impeller Bitron C 18 / 24
	Bitron C 36 W	42218	Ersatz Reinigungsrotor Bitron C 36 / 55	Spare cleaning impeller Bitron C 36 / 55
	Bitron C 55 W	42218	Ersatz Reinigungsrotor Bitron C 36 / 55	Spare cleaning impeller Bitron C 36 / 55
	Bitron C 72 W	35327	Reinigungsrotor Bitron C 72 / 110	Cleaning impeller Bitron C 72 / 110
	Bitron C 110 W	35327	Reinigungsrotor Bitron C 72 / 110	Cleaning impeller Bitron C 72 / 110
11	Bitron C 24 – 110 W	35092	Beipack Bitron C 18 – 110	Additional pack Bitron C 18 – 110
12	Bitron C 24 – 110 W	22853	Linsenschraube CH-V2A DIN 7981 4,8 x 19	Oval head screw CH-V2A DIN 7981 4.8 x 19
13	Bitron C 24 W	35028	Fuß Bitron C 18 / 24 / 36 / 55	Foot Bitron C 18 / 24 / 36 / 55
	Bitron C 36 W	35028	Fuß Bitron C 18 / 24 / 36 / 55	Foot Bitron C 18 / 24 / 36 / 55
	Bitron C 55 W	35028	Fuß Bitron C 18 / 24 / 36 / 55	Foot Bitron C 18 / 24 / 36 / 55
	Bitron C 72 W	35335	Fuß Bitron C 72 / 110	Foot Bitron C 72 / 110
	Bitron C 110 W	35335	Fuß Bitron C 72 / 110	Foot Bitron C 72 / 110
14	Bitron C 24 W	35111	Ersatz Gehäuse Bitron C 18 / 24	Spare housing Bitron C 18 / 24
	Bitron C 36 W	35112	Ersatz Gehäuse Bitron C 36 / 55	Spare housing Bitron C 36 / 55
	Bitron C 55 W	35112	Ersatz Gehäuse Bitron C 36 / 55	Spare housing Bitron C 36 / 55
	Bitron C 72 W	35329	Ersatz Gehäuse Bitron C 72 / 110	Spare housing Bitron C 72 / 110
	Bitron C 110 W	35329	Ersatz Gehäuse Bitron C 72 / 110	Spare housing Bitron C 72 / 110
15	Bitron C 24 W	35090	Beipack Bitron C 18 / 24	Additional pack Bitron C 18 / 24
	Bitron C 36 W	35091	Beipack Bitron C 36 / 55 / 72 / 110	Additional pack Bitron C 36 / 55 / 72 / 110
	Bitron C 55 W	35091	Beipack Bitron C 36 / 55 / 72 / 110	Additional pack Bitron C 36 / 55 / 72 / 110
	Bitron C 72 W	35091	Beipack Bitron C 36 / 55 / 72 / 110	Additional pack Bitron C 36 / 55 / 72 / 110
	Bitron C 110 W	35091	Beipack Bitron C 36 / 55 / 72 / 110	Additional pack Bitron C 36 / 55 / 72 / 110
16	Bitron C 24 – 110 W	24188	BG Verschlusshebel Bitron C 18 / 24 / 36 / 55 W	ASM locking lever Bitron C 18 / 24 / 36 / 55 W

Produkt / Product

56620 Bitron C 24 W

56368 Bitron C 36 W

56624 Bitron C 55 W



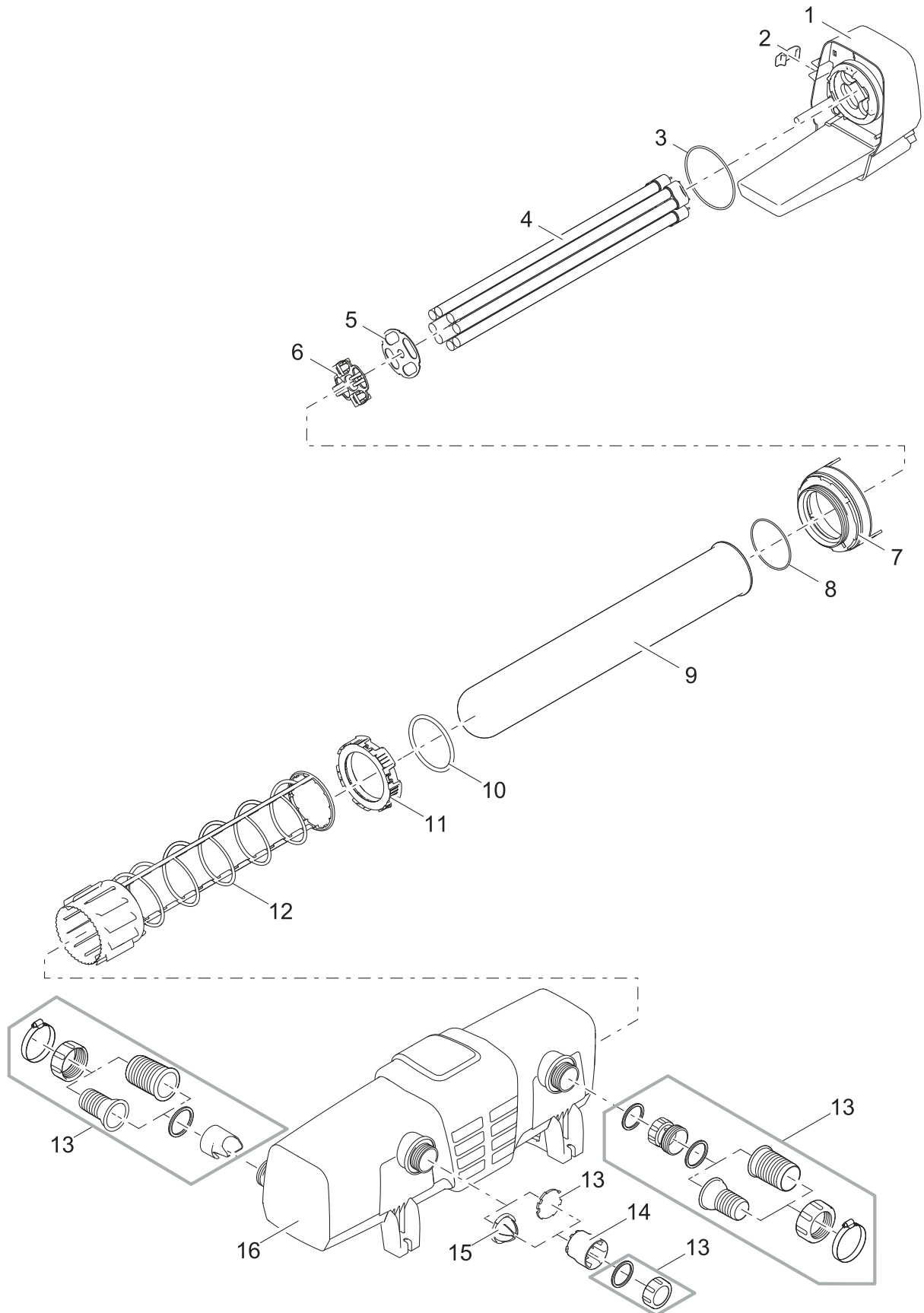
Pos.	Produkt / Product	Artikelnr. / Item no.	Ersatzteil	Spare part
1	Bitron C 24 W	56237	Ersatzlampe UVC 24 W	Replacement bulb UVC 24 W
	Bitron C 36 W	55432	Ersatzlampe UVC 36 W	Replacement bulb UVC 36 W
	Bitron C 55 W	56636	Ersatzlampe UVC 55 W	Replacement bulb UVC 55 W
2	Bitron C 24 W	42217	Ersatz Reinigungsrotor Bitron C 18 / 24	Spare cleaning impeller Bitron C 18 / 24
	Bitron C 36 W	42218	Ersatz Reinigungsrotor Bitron C 36 / 55	Spare cleaning impeller Bitron C 36 / 55
	Bitron C 55 W	42218	Ersatz Reinigungsrotor Bitron C 36 / 55	Spare cleaning impeller Bitron C 36 / 55
3	Bitron C 24 W	35111	Ersatz Gehäuse Bitron C 18 / 24	Spare housing Bitron C 18 / 24
	Bitron C 36 W	35112	Ersatz Gehäuse Bitron C 36 / 55	Spare housing Bitron C 36 / 55
	Bitron C 55 W	35112	Ersatz Gehäuse Bitron C 36 / 55	Spare housing Bitron C 36 / 55
4	Bitron C 24 – 55 W	35028	Fuß Bitron C 18 / 24 / 36 / 55	Foot Bitron C 18 / 24 / 36 / 55
5	Bitron C 24 – 55 W	22853	Linsenschraube CH-V2A DIN 7981 4,8 x 19	Oval head screw CH-V2A DIN 7981 4.8 x 19
6	Bitron C 24 W	35090	Beipack Bitron C 18 / 24	Additional pack Bitron C 18 / 24
	Bitron C 36 W	35091	Beipack Bitron C 36 / 55 / 72 / 110	Additional pack Bitron C 36 / 55 / 72 / 110
	Bitron C 55 W	35091	Beipack Bitron C 36 / 55 / 72 / 110	Additional pack Bitron C 36 / 55 / 72 / 110
7	Bitron C 24 – 55 W	35092	Beipack Bitron C 18 – 110	Additional pack Bitron C 18 – 110
8	Bitron C 24 – 55 W	35113	BG Klemmschraube Bitron C	ASM clamp screw Bitron C
9	Bitron C 24 W	13325	Ersatz Quarzglas Bitron C 18 / 24	Spare quartz glass Bitron C 18 / 24
	Bitron C 36 W	13326	Ersatz Quarzglas Bitron C 36 / 55	Spare quartz glass Bitron C 36 / 55
	Bitron C 55 W	13326	Ersatz Quarzglas Bitron C 36 / 55	Spare quartz glass Bitron C 36 / 55
10	Bitron C 24 – 55 W	26143	O-Ring Viton 42 x 5 SH50	O-Ring Viton 42 x 5 SH50
11	Bitron C 24 – 55 W	24850	O-Ring NBR 82 x 2 SH70	O-Ring NBR 82 x 2 SH70
12	Bitron C 24 W	35117	Ersatz UVC Elektronikeinheit Bitron C 24	Spare UVC electronic Bitron C 24
	Bitron C 36 W	30985	Ersatz UVC Elektronikeinh. Bitron C 36 2014	Spare UVC electronic Bitron C 36 2014
	Bitron C 55 W	30989	Ersatz UVC Elektronikeinh. Bitron C 55 2014	Spare UVC electronic Bitron C 55 2014
13	Bitron C 24 W	35121	Ersatz UVC Kompletteinheit Bitron C 24	Spare UVC complete unit Bitron C 24
	Bitron C 36 W	35122	Ersatz UVC Kompletteinheit Bitron C 36	Spare UVC complete unit Bitron C 36
	Bitron C 55 W	30913	Ersatz UVC Kompletteinheit Bitron C 55 2014	Spare UVC cpl. unit Bitron C 55 2014

Produkt / Product

56769 Bitron Eco 120 W

56405 Bitron Eco 180 W

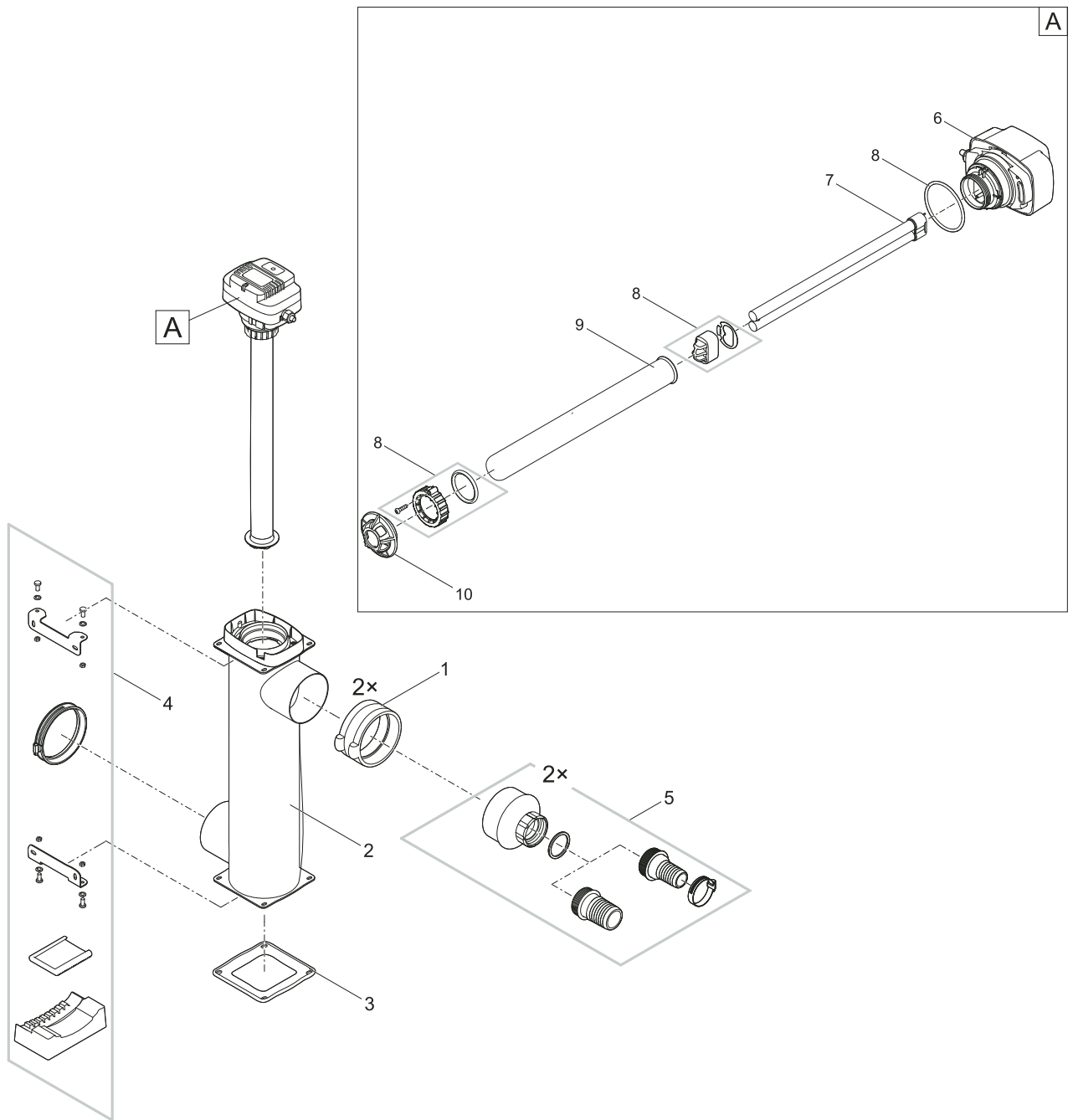
56410 Bitron Eco 240 W



Pos.	Produkt / Product	Artikelnr. / Item no.	Ersatzteil	Spare part
1	Bitron Eco 120 W	22075	Ersatz UVC Elektronikeinh. Bitron Eco 120 W	Spare UVC electronic Bitron Eco 120 W
	Bitron Eco 180 W	30979	Ersatz UVC Elektronikeinh. Bitron Eco 180 W	Spare UVC electronic Bitron Eco 180 W
	Bitron Eco 240 W	30980	Ersatz UVC Elektronikeinh. Bitron Eco 240 W	Spare UVC electronic Bitron Eco 240 W
2	Bitron Eco 120 – 240 W	30983	Clip Bitron Eco / AquaMax	Clip Bitron Eco / AquaMax
3	Bitron Eco 120 – 240 W	30809	O-Ring Viton 102 x 3 SH50 A	O-Ring Viton 102 x 3 SH50 A
4	Bitron Eco 120 W	2 x 57077	Ersatzlampe UVC Eco 60 W	Replacement bulb UVC Eco 60 W
	Bitron Eco 180 W	3 x 57077	Ersatzlampe UVC Eco 60 W	Replacement bulb UVC Eco 60 W
	Bitron Eco 240 W	4 x 57077	Ersatzlampe UVC Eco 60 W	Replacement bulb UVC Eco 60 W
5	Bitron Eco 120 W	45248	Lampenfallschutz Bitron Eco 120	Drop protection Bitron Eco 120
	Bitron Eco 180 W	45247	Lampenfallschutz Bitron Eco 180	Drop protection Bitron Eco 180
	Bitron Eco 240 W	45246	Lampenfallschutz Bitron Eco 240	Drop protection Bitron Eco 240
6	Bitron Eco 120 W	45190	Lampenhalter FKM Bitron Eco 120	Lamp holder FKM Bitron Eco 120
	Bitron Eco 180 W	45189	Lampenhalter FKM Bitron Eco 180	Lamp holder FKM Bitron Eco 180
	Bitron Eco 240 W	45188	Lampenhalter FKM Bitron Eco 240	Lamp holder FKM Bitron Eco 240
7	Bitron Eco 120 – 240 W	30977	BG Rotordeckel Bitron Eco 120 / 180 / 240 W	ASM impeller lid Bitron Eco 120 / 180 / 240 W
8	Bitron Eco 120 – 240 W	22804	O-Ring FKM 130 x 3 SH50 A	O-Ring FKM 130 x 3 SH50 A
9	Bitron Eco 120 – 240 W	30982	Ersatz Quarzglas Bitron Eco 120 / 180 / 240 W	Spare quartz glass Bitron Eco 120 / 180 / 240 W
10	Bitron Eco 120 – 240 W	30331	O-Ring Viton 87 x 6 SH50 A	O-Ring Viton 87 x 6 SH50 A
11	Bitron Eco 120 – 240 W	30976	BG Klemmschraube Bitron Eco 120 / 180 / 240 W	ASM clamp screw Bitron Eco 120 / 180 / 240 W
12	Bitron Eco 120 – 240 W	30437	Reinigungsrotor Bitron Eco 120 / 180 / 240 W	Cleaning impeller Bitron Eco 120 / 180 / 240 W
13	Bitron Eco 120 – 240 W	30478	Beipack Bitron Eco	Additional pack Bitron Eco
14	Bitron Eco 120 – 240 W	30912	Membranhalter Bitron Eco	Membrane holder Bitron Eco
15	Bitron Eco 120 W	30998	Bypassmembran Bitron Eco 120 W	Bypass membrane Bitron Eco 120 W
	Bitron Eco 180 W	37521	Bypassmembran Bitron Eco 180 W	Bypass membrane Bitron Eco 180 W
	Bitron Eco 240 W	37522	Bypassmembran Bitron Eco 240 W	Bypass membrane Bitron Eco 240 W
16	Bitron Eco 120 – 240 W	30981	Ersatz Gehäuse Bitron Eco 120 / 180 / 240 W	Spare housing Bitron Eco 120 / 180 / 240 W



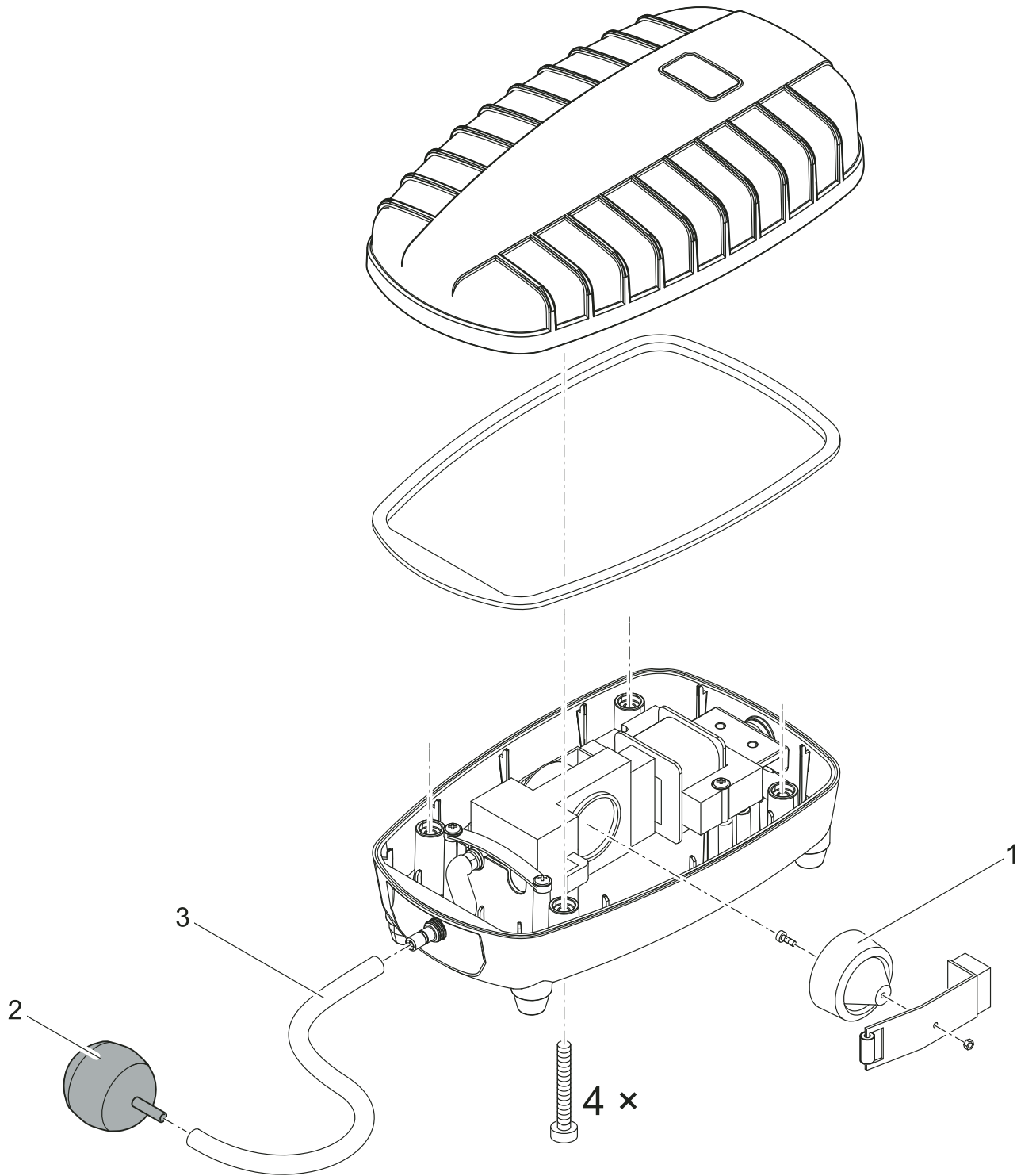
Produkt / Product  
50946 Bitron Gravity 55 W



Pos.	Produkt / Product	Artikelnr. / Item no.	Ersatzteil	Spare part
1	Bitron Gravity 55 W	18122	Kupplung 4" auf 4"	Coupling 4" to 4"
2	Bitron Gravity 55 W	18789	Ersatz Wassergehäuse Bitron Gravity	Spare water housing Bitron Gravity
3	Bitron Gravity 55 W	18656	Gummifuß Bitron Gravity	Rubber pad Bitron Gravity
4	Bitron Gravity 55 W	18107	Beipack Bitron Gravity	Additional pack Bitron Gravity
5	Bitron Gravity 55 W	18127	Anschlusskit Schlauch Bitron Gravity	Adapter kit hose Bitron Gravity
6	Bitron Gravity 55 W	17890	BG Lampenkopf Bitron 55	ASM lamp head Bitron 55
7	Bitron Gravity 55 W	56636	Ersatzlampe UVC 55 W	Replacement bulb UVC 55 W
8	Bitron Gravity 55 W	16031	Ersatz Klemmschraubenset FiltoClear 12 – 30	Spare part clamp bolt set FiltoClear 12 – 30
9	Bitron Gravity 55 W	13331	Ersatz Quarzglasrohr Vitronic 36 / 55	Spare quartz glass tube Vitronic 36 / 55
10	Bitron Gravity 55 W	17889	Transportschutz Bitron	Transport protection Bitron

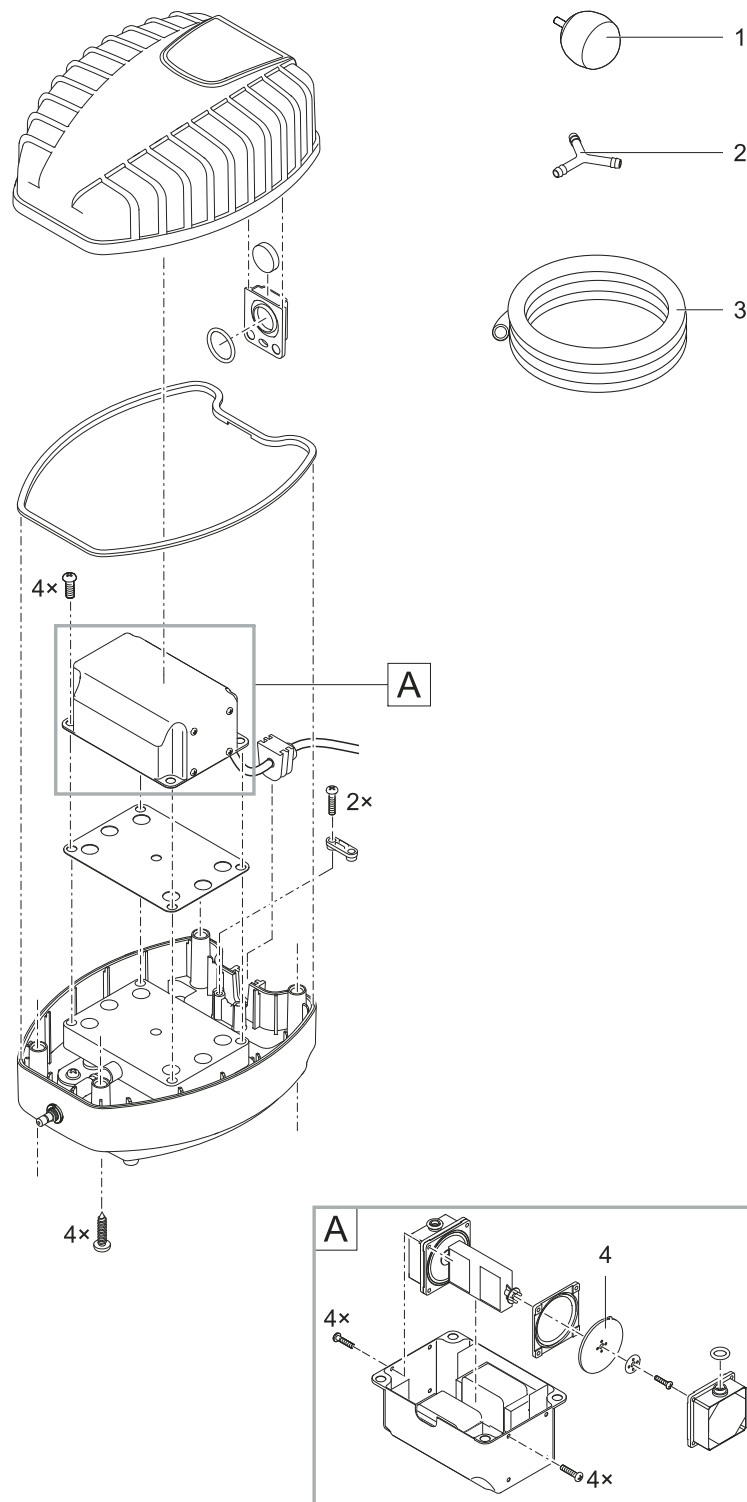
Produkt / Product

50532 AquaOxy 240



Pos.	Produkt / Product	Artikelnr. / Item no.	Ersatzteil	Spare part
1	AquaOxy 240	14044	Membran AquaOxy 240	Membrane AquaOxy 240
2	AquaOxy 240	15257	Sprudelstein 50 mm AquaOxy 240	Air stone 50 mm AquaOxy 240
3	AquaOxy 240	15253	Luftschlauch 10 m AquaOxy 240	Air hose 10 m AquaOxy 240

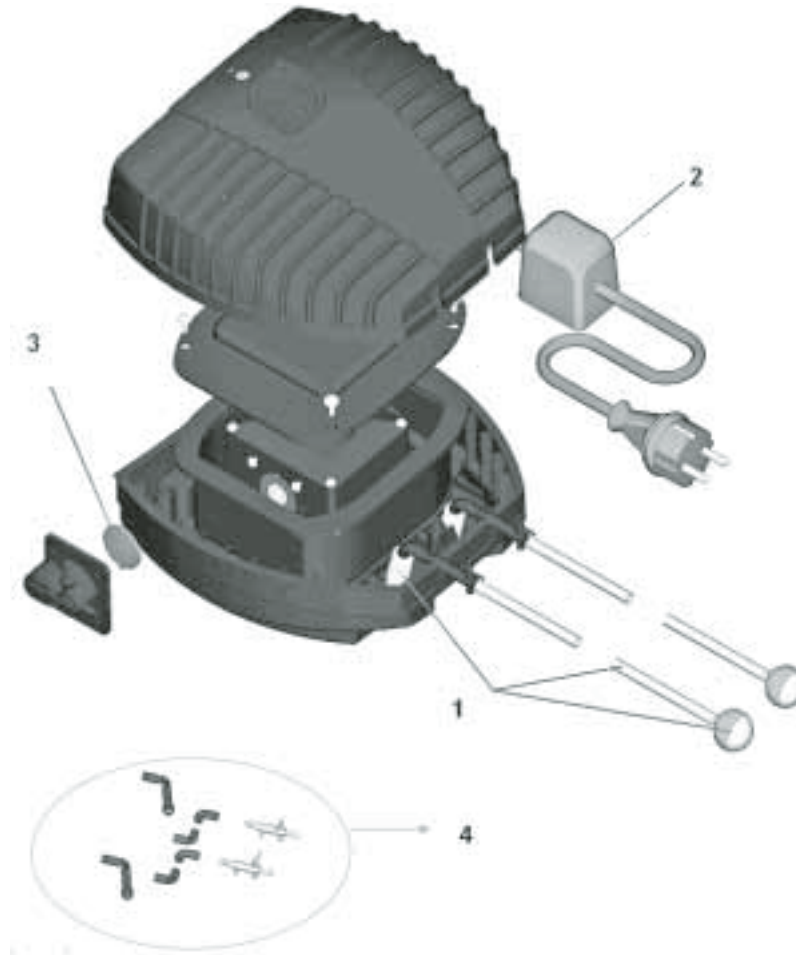
Produkt / Product  
57063 AquaOxy 500



Pos.	Produkt / Product	Artikelnr. / Item no.	Ersatzteil	Spare part
1	AquaOxy 500	22079	Sprudelstein 50 mm blau	Air stone 50 mm blue
2	AquaOxy 500	22076	Y-Verteiler 5 mm AquaOxy transparent	Y-distributor 5 mm AquaOxy transparent
3	AquaOxy 500	22077	Luftschlauch 5 m transparent	Air hose 5 m transparent
4	AquaOxy 500	22078	Ersatz Membran Set AquaOxy 500	Spare part membrane set AquaOxy 500

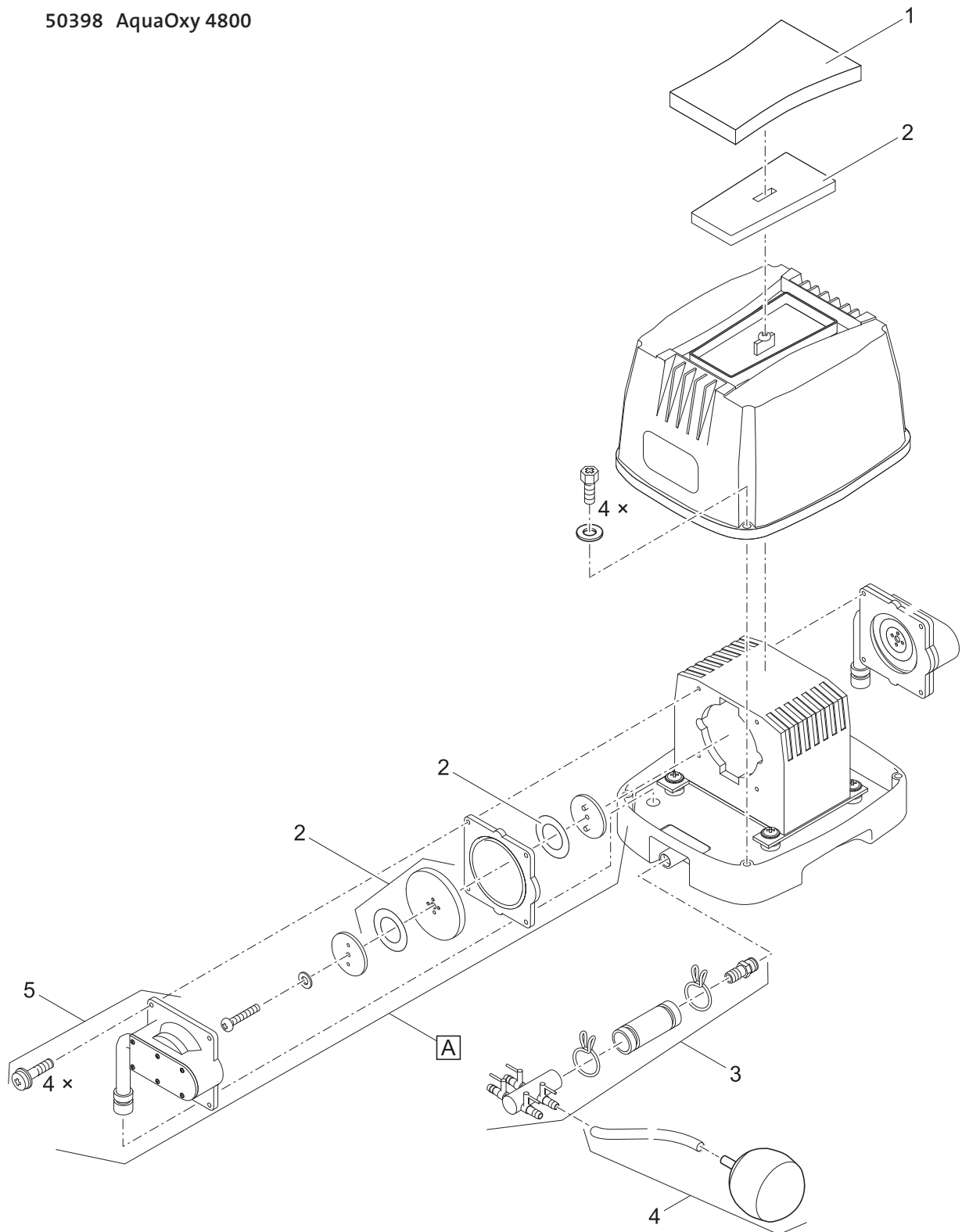
Produkt / Product

- 56387 AquaOxy 400
- 50464 AquaOxy CWS 400
- 37125 AquaOxy 1000
- 57350 AquaOxy 2000



Pos.	Produkt / Product	Artikelnr. / Item no.	Ersatzteil	Spare part
1	AquaOxy 400	36900	Ersatz Schlauch-Set AquaOxy 400	Spare hose set AquaOxy 400
	AquaOxy CWS 400	36900	Ersatz Schlauch-Set AquaOxy 400	Spare hose set AquaOxy 400
	AquaOxy 1000	29246	Ersatz Schlauch-Set AquaOxy 1000 – 4800	Spare hose set AquaOxy 1000 – 4800
	AquaOxy 2000	29246	Ersatz Schlauch-Set AquaOxy 1000 – 4800	Spare hose set AquaOxy 1000 – 4800
2	AquaOxy 400	27346	Ersatz Netztrafo 12 V AquaOxy 400 / 1000	Spare transformer 12 V AquaOxy 400 / 1000
	AquaOxy CWS 400	27346	Ersatz Netztrafo 12 V AquaOxy 400 / 1000	Spare transformer 12 V AquaOxy 400 / 1000
	AquaOxy 1000	27346	Ersatz Netztrafo 12 V AquaOxy 400 / 1000	Spare transformer 12 V AquaOxy 400 / 1000
	AquaOxy 2000	29069	Trafo AquaOxy 2000	Transformer AquaOxy 2000
3	AquaOxy 400	25537	Ersatz Membranset AquaOxy 400	Spare part membrane set AquaOxy 400
	AquaOxy CWS 400	25537	Ersatz Membranset AquaOxy 400	Spare part membrane set AquaOxy 400
	AquaOxy 1000	27347	Ersatz Membranset AquaOxy 1000	Spare part membrane set AquaOxy 1000
	AquaOxy 2000	29311	Ersatz Membranset AquaOxy 2000	Spare part membrane set AquaOxy 2000
4	AquaOxy 400	28013	Ersatz Ventil-Set AquaOxy 400	Spare valve set AquaOxy 400
	AquaOxy CWS 400	28013	Ersatz Ventil-Set AquaOxy 400	Spare valve set AquaOxy 400
	AquaOxy 1000	29245	Ersatz Ventil-Set AquaOxy 1000 – 2000	Spare valve set AquaOxy 1000 – 2000
	AquaOxy 2000	29245	Ersatz Ventil-Set AquaOxy 1000 – 2000	Spare valve set AquaOxy 1000 – 2000

Produkt / Product  
50398 AquaOxy 4800

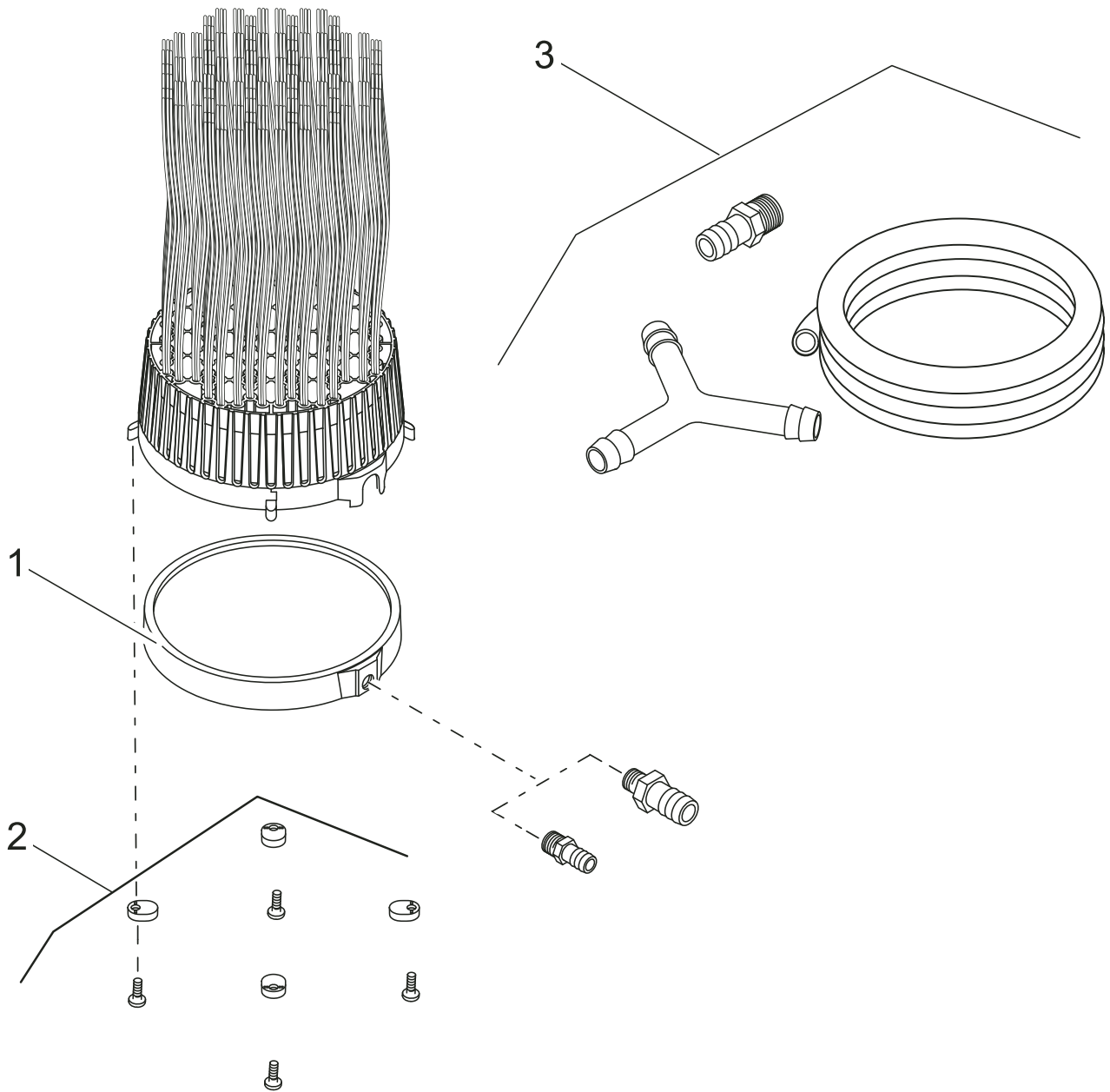


Pos.	Produkt / Product	Artikelnr. / Item no.	Ersatzteil	Spare part
1	AquaOxy 4800	14165	Gehäusedeckel verp. AquaOxy 4800	Housing cover packaged AquaOxy 4800
2	AquaOxy 4800	14164	Membran Set AquaOxy 4800	Membrane Set AquaOxy 4800
3	AquaOxy 4800	14166	Luftverteiler Set AquaOxy 4800	Air distributor set AquaOxy 4800
4	AquaOxy 4800	29246	Ersatz Schlauch-Set AquaOxy 1000 – 4800	Spare hose set AquaOxy 1000 – 4800
5	AquaOxy 4800	14163	Ventilset AquaOxy 4800	Valve set AquaOxy 4800

Produkt / Product

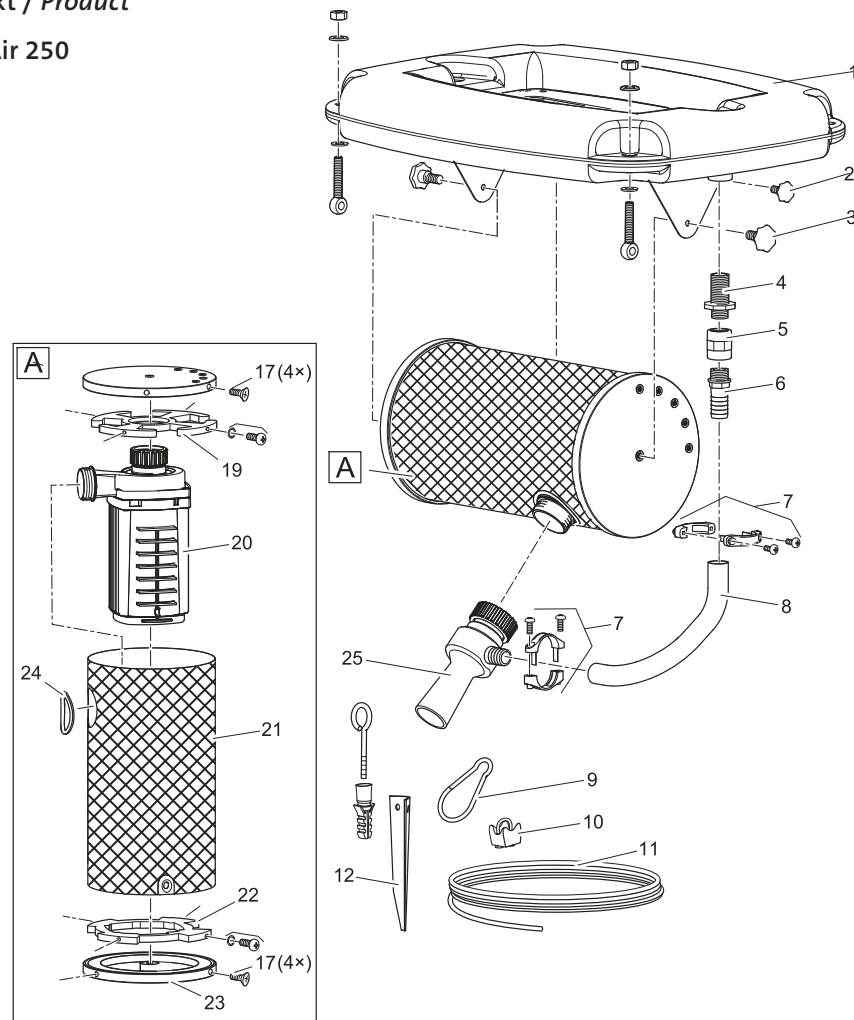
50443 OxyTex 400

50290 OxyTex 1000



Pos.	Produkt / Product	Artikelnr. / Item no.	Ersatzteil	Spare part
1	OxyTex 400	14915	BG Sprudelstein OxyTex 400	ASM air stone OxyTex 400
	OxyTex 1000	12257	Sprudelstein OxyTex 1000	Air stone OxyTex 1000
2	OxyTex 400 – 1000	12680	BG Fuß OxyTex	ASM feet OxyTex
3	OxyTex 400 – 1000	12681	BG OxyTex Y-Verteiler / Luftschlauch	ASM OxyTex Y-distributor / air hose

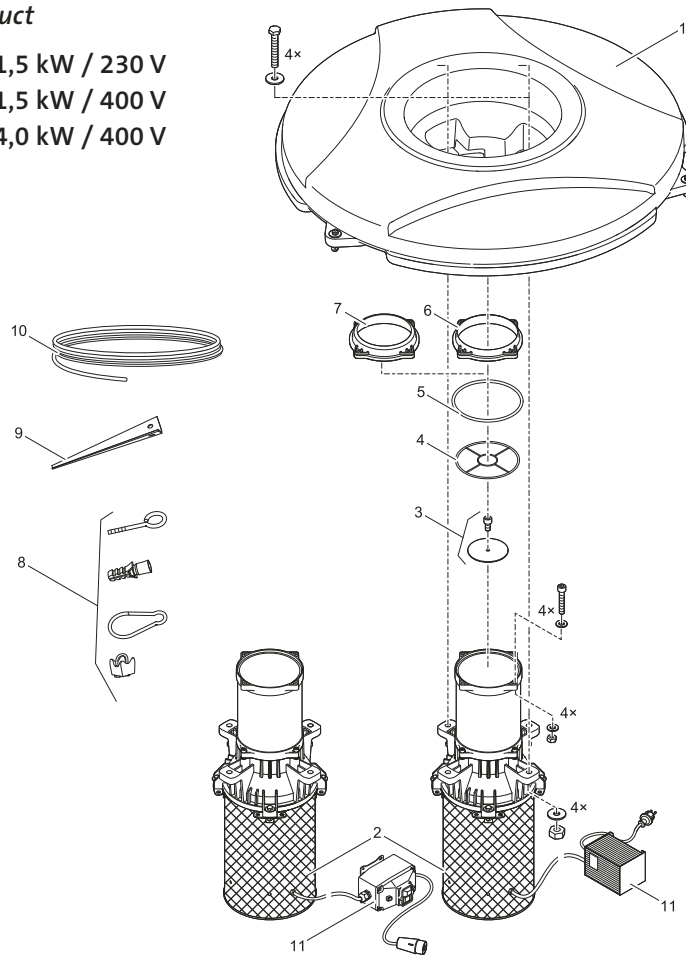
Produkt / Product  
57479 AquaAir 250



Pos.	Produkt / Product	Artikelnr. / Item no.	Ersatzteil	Spare part
1	AquaAir 250	29786	Schwimmkörper 18 l	Float 18 l
2	AquaAir 250	30089	Griffschraube M6 x 20	Handle screw M6 x 20
3	AquaAir 250	30088	Griffschraube M8 x 20	Handle screw M8 x 20
4	AquaAir 250	30086	Durchführung ¼" inkl. Mutter	Bushing ¼" incl. nut
5	AquaAir 250	30094	Doppelmuffe IG ¼"	Double bush IG ¼"
6	AquaAir 250	30090	Tülle ¼"	Hose adapter ¼"
7	AquaAir 250	28653	Schlauchschellen-Stufen-Kit 1"	Hose clamp Set 1"
8	AquaAir 250	25 x 37176	Spiralschlauch schwarz 1", 25 m	Spiral hose black 1", 25 m
9	AquaAir 250	16941	Edelstahl-Karabinerhaken 60 x 6	Stainless steel carabiner 60 x 6
10	AquaAir 250	30117	Edelstahl-Schraubklemme 3 mm	Stainless steel screw clamp 3 mm
11	AquaAir 250	30119	Drahtseil VA 3 mm x 20 m	Wire rope stainless steel 3 mm x 20 m
12	AquaAir 250	30128	Befestigungsdorn 450	Fastener 450
17	AquaAir 250	8 x 27589	Senkschraube CH-V2A DIN 7982 4,8 x 19	Countersunk screw V2A DIN 7982 4.8 x 19
19	AquaAir 250	35895	Saugmundhalter AquaAir 250	Pump housing holder AquaAir 250
20	AquaAir 250	45062	BG AquaMax Expert 30000 30 m o. Griff	ASM AquaMax Expert 30000 30 m no handle
21	AquaAir 250	35892	Trommel Lochblech bearb.	Drum perforated sheet machined
22	AquaAir 250	35894	Motorhalter	Motor holder
23	AquaAir 250	29979	Abschlussdeckel	Outer lid
24	AquaAir 250	29900	Gummiring ID66	Rubber ring ID66
25	AquaAir 250	10189	BG Injektor komplett	ASM injector complete

## Produkt / Product

50183 AirFlo 1,5 kW / 230 V  
 50184 AirFlo 1,5 kW / 400 V  
 50185 AirFlo 4,0 kW / 400 V

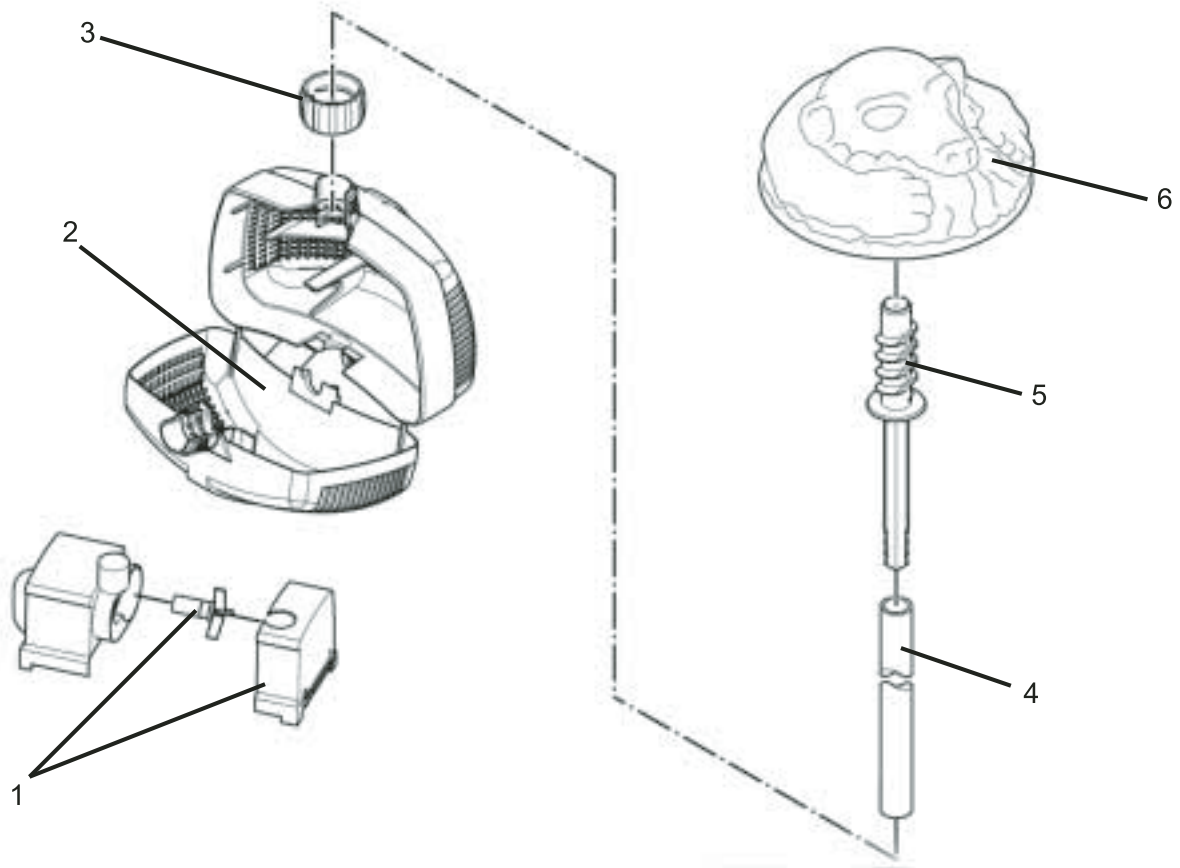


Pos.	Produkt / Product	Artikelnr. / Item no.	Ersatzteil	Spare part
1	AirFlo 1,5 kW / 230 V	10862	Schwimmer 90 l	Float 90 l
	AirFlo 1,5 kW / 400 V	10862	Schwimmer 90 l	Float 90 l
	AirFlo 4,0 kW / 400 V	10579	Schwimmer 135 l	Float 135 l
2	AirFlo 1,5 kW / 230 V	11517	BG Motorsektion AirFlo 1,5 kW / 230 V	ASM motor section AirFlo 1.5 kW / 230 V
	AirFlo 1,5 kW / 400 V	11515	BG Motorsektion AirFlo 1,5 kW / 400 V	ASM motor section AirFlo 1.5 kW / 400 V
	AirFlo 4,0 kW / 400 V	11516	BG Motorsektion AirFlo 4,0 kW / 400 V	ASM motor section AirFlo 4.0 kW / 400 V
3	AirFlo 1,5 kW / 230 V	41934	Ersatz Scheibe AirFlo 110 mm	Spare disc AirFlo 110 mm
	AirFlo 1,5 kW / 400 V	41934	Ersatz Scheibe AirFlo 110 mm	Spare disc AirFlo 110 mm
	AirFlo 4,0 kW / 400 V	41935	Ersatz Scheibe AirFlo 90 mm	Spare disc AirFlo 90 mm
4	AirFlo 1,5 kW / 230 V – 4,0 kW / 400 V	11131	Schutzgitter Steigrohr	Protective grating riser pipe
5	AirFlo 1,5 kW / 230 V – 4,0 kW / 400 V	11805	O-Ring NBR 155 x 2,5 SH70	O-Ring NBR 155 x 2.5 SH70
6	AirFlo 1,5 kW / 230 V	10350	Düse D138	Nozzle D138
	AirFlo 1,5 kW / 400 V	10350	Düse D138	Nozzle D138
	AirFlo 4,0 kW / 400 V	11188	Düse D150	Nozzle D150
7	AirFlo 1,5 kW / 230 V	11494	Düse D120	Nozzle D120
	AirFlo 1,5 kW / 400 V	11494	Düse D120	Nozzle D120
	AirFlo 4,0 kW / 400 V	10350	Düse D138	Nozzle D138
8	AirFlo 1,5 kW / 230 V – 4,0 kW / 400 V	11414	Beipack Kleinteile LM 3P	Additional pack small parts LM 3P
	AirFlo 1,5 kW / 230 V – 4,0 kW / 400 V	30128	Befestigungsdorn 450	Fastener 450
10	AirFlo 1,5 kW / 230 V – 4,0 kW / 400 V	11203	Drahtseil VA 3 mm x 30 m	Wire rope stainless steel 3 mm x 30 m
	AirFlo 1,5 kW / 230 V	42136	Ersatzschaltkasten 1,5 kW / 230 V	Spare part starter box 1.5 KW / 230 V
	AirFlo 1,5 kW / 400 V	42138	Ersatz Motorschutzschalter 4-6.3A CEE	Spare part motor overl.switch 4-6.3A CEE
11	AirFlo 4,0 kW / 400 V	42139	Ersatz Motorschutzschalter 10-16A CEE	Spare part Motor overl.switch 10-16A CEE



Produkt / Product

56534 IceFree 20

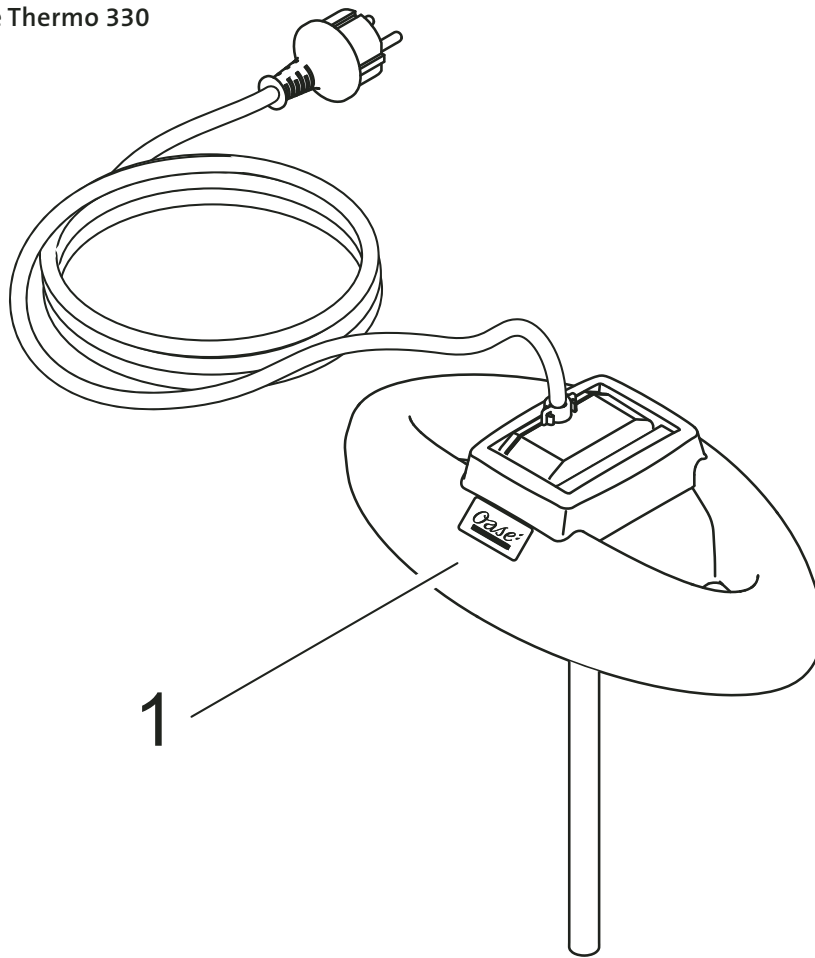


Pos.	Produkt / Product	Artikelnr. / Item no.	Ersatzteil	Spare part
1	IceFree 20	36957	Ersatzteil-Set Pumpe IceFree 20	Spare part set pump IceFree 20
2	IceFree 20	34910	Filtergehäuse IceFree 20	Filter housing IceFree 20
3	IceFree 20	34905	Muffe IceFree 20	Bush IceFree 20
4	IceFree 20	25734	Schlauch ID12 x W2 L: 750 IceFree 20	Hose ID12 x W2 L: 750 IceFree 20
5	IceFree 20	34901	Leitschwert IceFree 20	Guide spike IceFree 20
6	IceFree 20	25735	Schwimmer Eisbär	Float ice bear

Produkt / Product

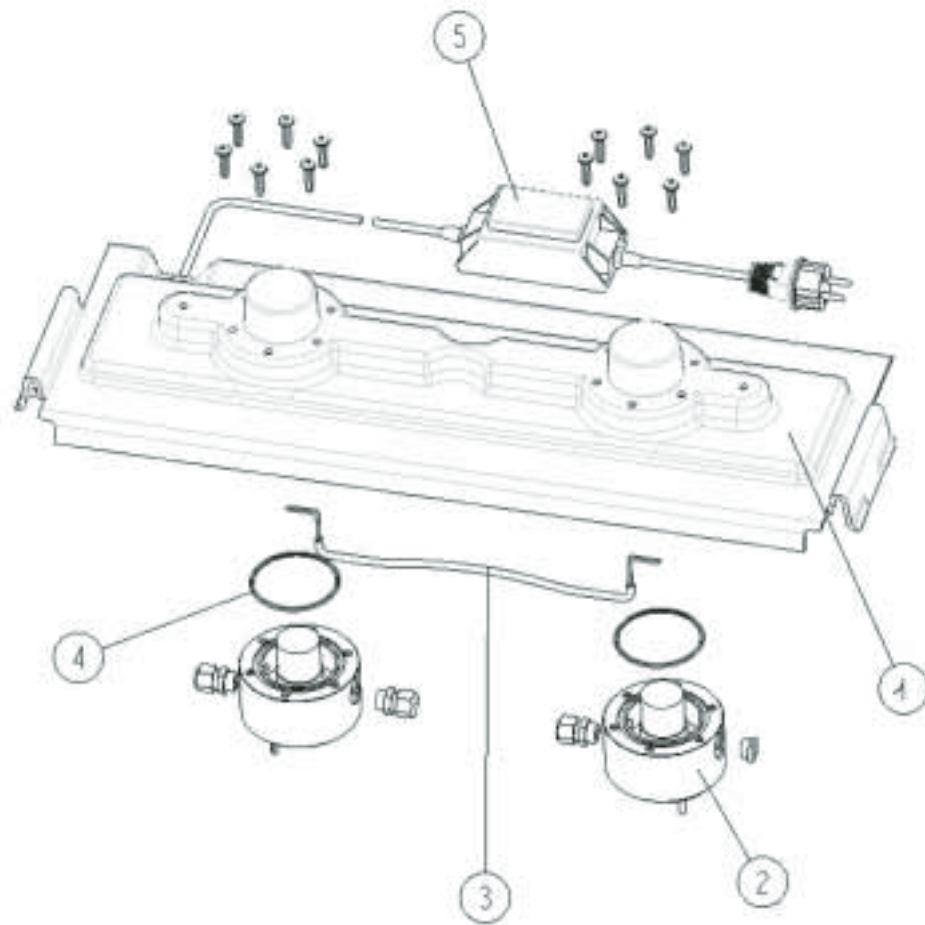
51230 IceFree Thermo 200

51231 IceFree Thermo 330



Pos.	Produkt / Product	Artikelnr. / Item no.	Ersatzteil	Spare part
1	IceFree Thermo 200 – 330	21600	Schwimmer IceFree Thermo	Floater IceFree Thermo

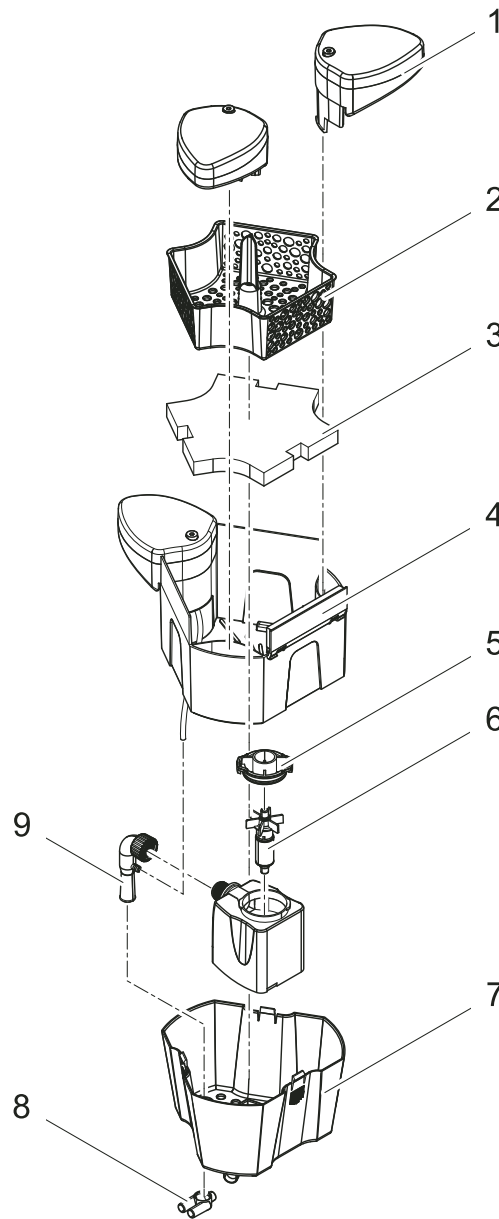
Produkt / Product  
57094 ProfiClear Screendrive



Pos.	Produkt / Product	Artikelnr. / Item no.	Ersatzteil	Spare part
1	ProfiClear Screendrive	27731	Abdeckung Reinigungsautomatik	Cover plate
2	ProfiClear Screendrive	35458	Ersatz Motorbaustein kpl.	Assembly motor cpl.
3	ProfiClear Screendrive	27792	Anschlussleitung H05RN-F 2 x 1 mm <sup>2</sup> 0,5 m	Connection cable H05RN-F 2 x 1.0 mm <sup>2</sup> / 0.5 m
4	ProfiClear Screendrive	16250	O-Ring NBR 65 x 3 SH70	O-Ring NBR 65 x 3 SH70
5	ProfiClear Screendrive	35445	BG Zeitschalteinheit	ASM timer

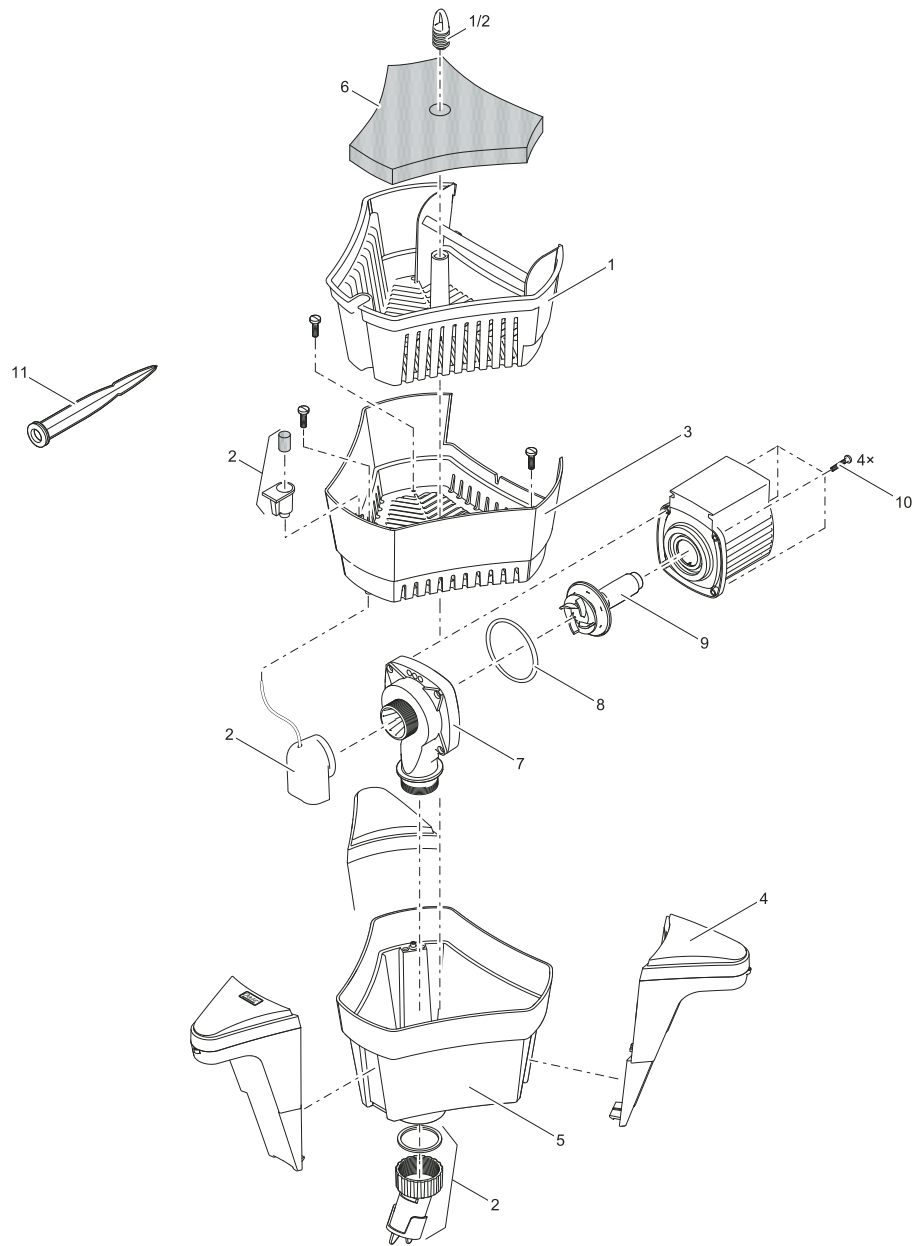
Produkt / Product

57384 SwimSkim 25



Pos.	Produkt / Product	Artikelnr. / Item no.	Ersatzteil	Spare part
1	SwimSkim 25	29613	Schwimmer kpl. SwimSkim 25	Float cpl. SwimSkim 25
2	SwimSkim 25	10450	BG Korb SwimSkim 25 mit Gewicht	ASM basket SwimSkim 25 with weight
3	SwimSkim 25	29445	Schaum SwimSkim 25	Foam SwimSkim 25
4	SwimSkim 25	15656	Ersatz Skimmerklappe SwimSkim 25	Spare part skimmer flap SwimSkim 25
5	SwimSkim 25	35770	BG Pumpengehäuse ASE 2500	ASM pump housing ASE 2500
	SwimSkim 25	18013	Ersatzrotor kpl. ASE 2500 magnetisiert	Spare rotor cpl. ASE 2500 magnetized
6	SwimSkim 25	18013	Ersatzrotor kpl. ASE 2500 magnetisiert	Spare rotor cpl. ASE 2500 magnetized
7	SwimSkim 25	29179	Pumpenkammer SwimSkim 25	Pump chamber SwimSkim 25
8	SwimSkim 25	29458	Luftverteiler SwimSkim 25	Air distributor SwimSkim 25
9	SwimSkim 25	35747	BG Injektor SwimSkim 25	ASM Venturi SwimSkim 25

Produkt / Product  
50170 SwimSkim 50

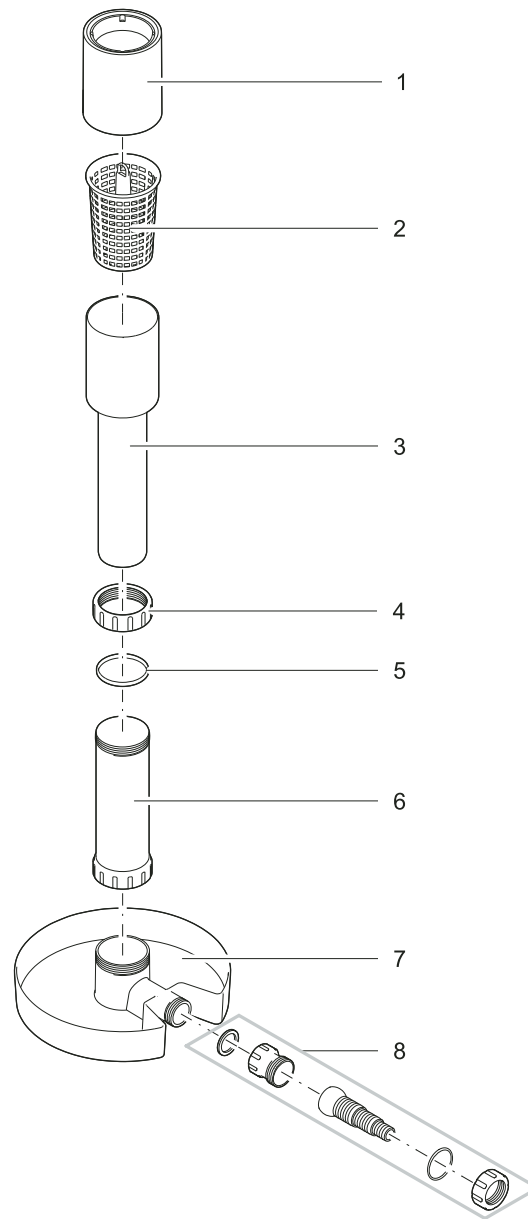


Pos.	Produkt / Product	Artikelnr. / Item no.	Ersatzteil	Spare part
1	SwimSkim 50	12497	BG Korb SwimSkim 50	ASM basket SwimSkim 50
2	SwimSkim 50	12499	Ersatz Beipack SwimSkim 50	Spare part additional pack SwimSkim 50
3	SwimSkim 50	12021	Behälter SwimSkim CWS	Filter box SwimSkim CWS
4	SwimSkim 50	11466	Schwimmer geschweißt SwimSkim CWS	Float welded SwimSkim CWS
5	SwimSkim 50	11328	Pumpenkammer SwimSkim CWS	Pump chamber SwimSkim CWS
6	SwimSkim 50	12433	Schaum SwimSkim CWS	Foam SwimSkim CWS
7	SwimSkim 50	11825	Ersatz Pumpengehäuse Max 3500-5500	Spare pump housing Max 3500-5500
8	SwimSkim 50	25969	O-Ring NBR 60 x 2,5 SH70 A	O-Ring NBR 60 x 2.5 SH70 A
9	SwimSkim 50	11654	Ersatzrotor AquaMax Eco 3500	Spare rotor AquaMax Eco 3500
10	SwimSkim 50	6055	Linsenschraube V2A DIN 7985 M5 x 20 H	Oval head screw V2A DIN 7985 M5 x 20 H
11	SwimSkim 50	20284	Erdspieß	Spike

Produkt / Product

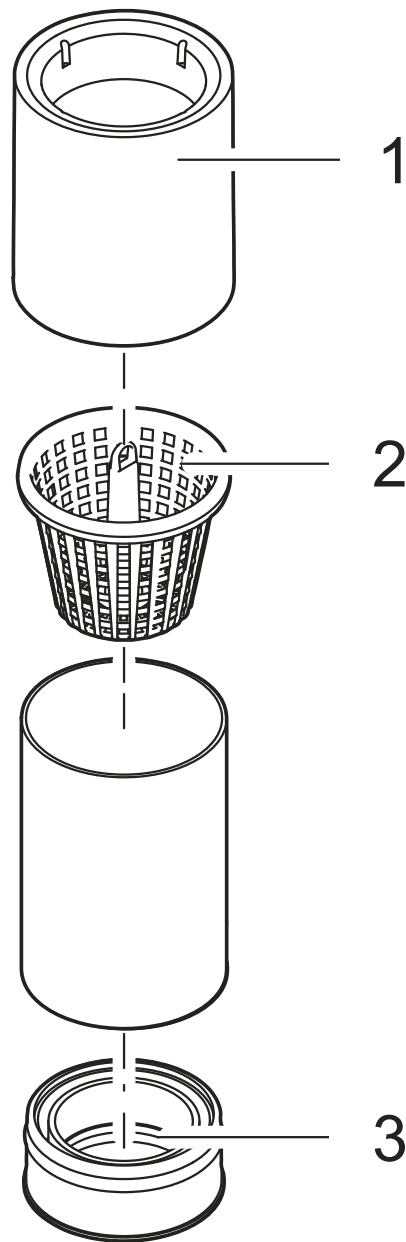
51236 AquaSkim 20

56907 AquaSkim 40



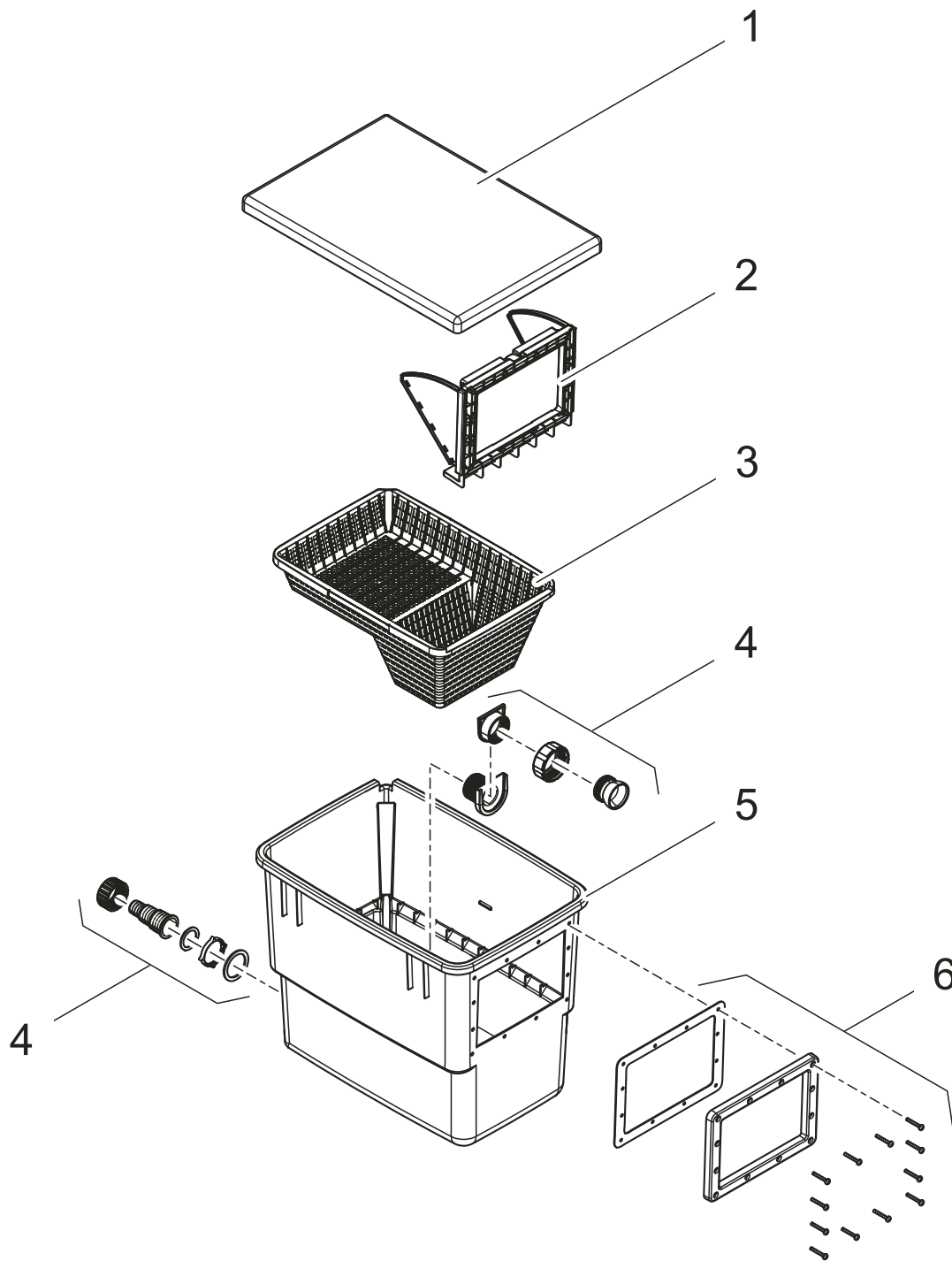
Pos.	Produkt / Product	Artikelnr. / Item no.	Ersatzteil	Spare part
1	AquaSkim 20	21110	Schwimmring AquaSkim 20	Float ring AquaSkim 20
	AquaSkim 40	33284	Schwimmring AquaSkim 40	Float ring AquaSkim 40
2	AquaSkim 20	21109	Filterkorb AquaSkim 20	Filter basket AquaSkim 20
	AquaSkim 40	33285	Filterkorb AquaSkim 40	Filter basket AquaSkim 40
3	AquaSkim 20	21111	Oberteil AquaSkim 20	Top AquaSkim 20
	AquaSkim 40	35263	Oberteil AquaSkim 40	Top AquaSkim 40
4	AquaSkim 20 – 40	35264	Überwurfmutter 3"	Coupling nut 3"
5	AquaSkim 20 – 40	26737	Klemmdichtung AquaSkim 40	Clamp gasket AquaSkim 40
6	AquaSkim 20 – 40	35262	Unterteil AquaSkim 40	Bottom part AquaSkim 40
7	AquaSkim 20 – 40	27027	Sockel AquaSkim 40	Base AquaSkim 40
8	AquaSkim 20 – 40	35304	Beipack AquaSkim 20 / 40	Additional pack AquaSkim 20 / 40

Produkt / Product  
51237 AquaSkim Gravity



Pos.	Produkt / Product	Artikelnr. / Item no.	Ersatzteil	Spare part
1	AquaSkim Gravity	33284	Schwimmring AquaSkim 40	Float ring AquaSkim 40
2	AquaSkim Gravity	33285	Filterkorb AquaSkim 40	Filter basket AquaSkim 40
3	AquaSkim Gravity	20938	Reduzierstück DN 160 / 110 mm	Reducing piece DN 160 / 110 mm

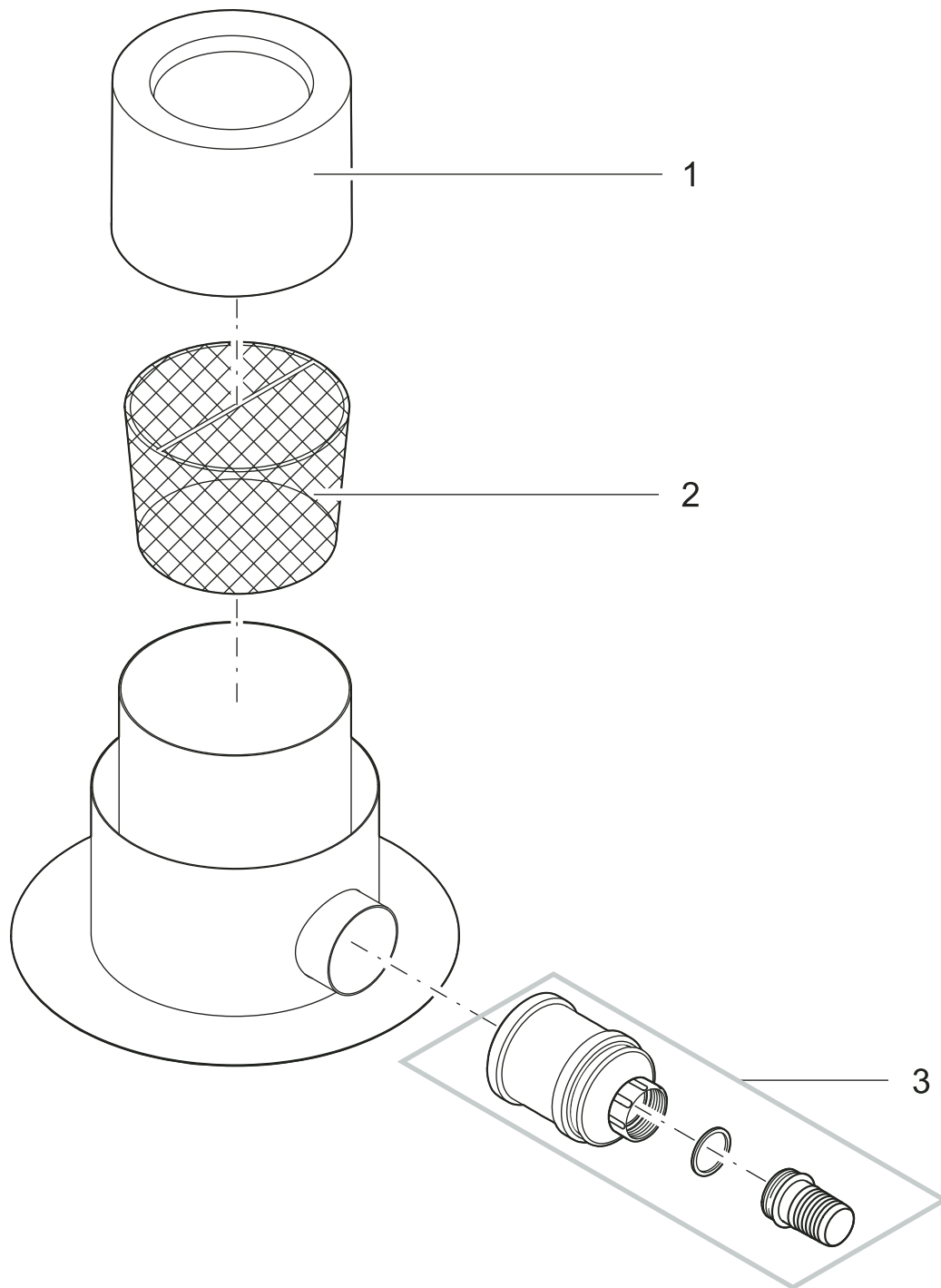
Produkt / Product  
57137 BioSys Skimmer +



Pos.	Produkt / Product	Artikelnr. / Item no.	Ersatzteil	Spare part
1	BioSys Skimmer +	18372	Dekordeckel BioSys Skimmer granit	Decoration lid BioSys Skimmer granite
2	BioSys Skimmer +	28353	BG Klappe Skimmer	ASM flap Skimmer
3	BioSys Skimmer +	18240	Schmutzkorb BioSys Skimmer 2" 2012	Debris coll. basket BioSys Skim. 2" 2012
4	BioSys Skimmer +	35505	Pumpenanschluss BioSys Skimmer +	Pump connection BioSys Skimmer +
5	BioSys Skimmer +	23791	Behälter BioSys Skimmer bedruckt	Filter box BioSys Skimmer printed
6	BioSys Skimmer +	28613	BG Außenrahmen	ASM outer frame



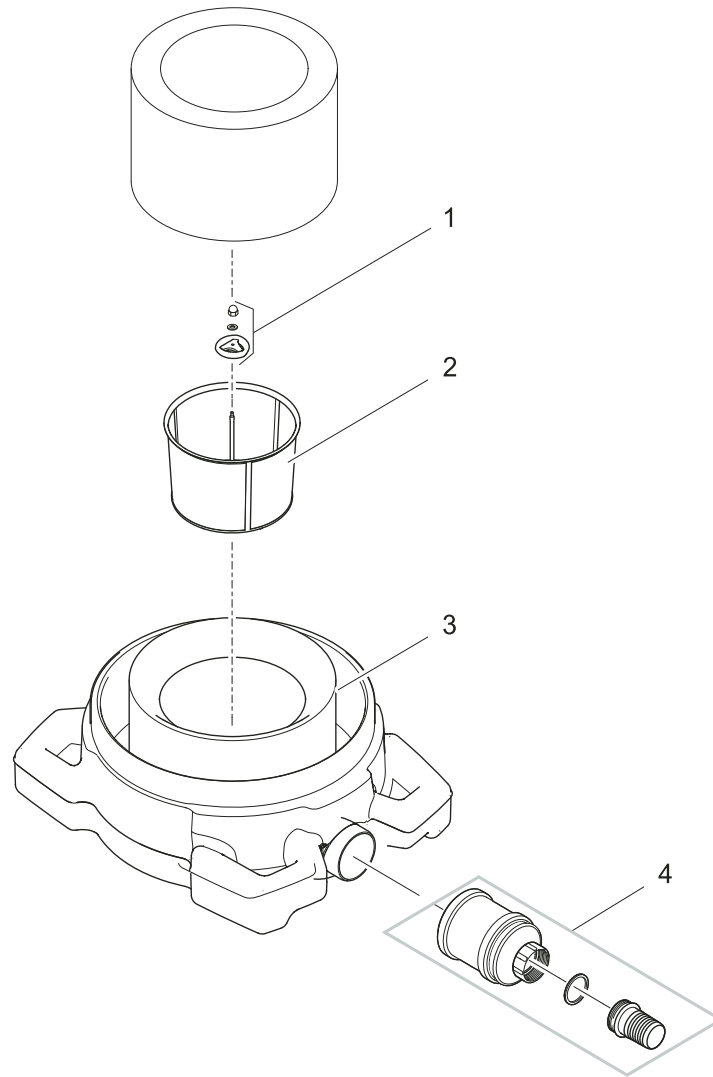
Produkt / Product  
51185 ProfiSkim Premium



Pos.	Produkt / Product	Artikelnr. / Item no.	Ersatzteil	Spare part
1	ProfiSkim Premium	21607	Schwimring ProfiSkim Premium	Float ProfiSkim Premium
2	ProfiSkim Premium	29888	Ersatzkorb ProfiSkim Premium 2 mm	Replacement basket ProfiSkim Premium 2 mm
	ProfiSkim Premium	21608	Korb VA ProfiSkim Premium 8 mm Masche	Basket VA ProfiSkim Premium 8 mm mesh
3	ProfiSkim Premium	35657	Beipack Rohrreduzierung 110 mm x 2"	Additional pack pipe reduc. 110 mm x 2"

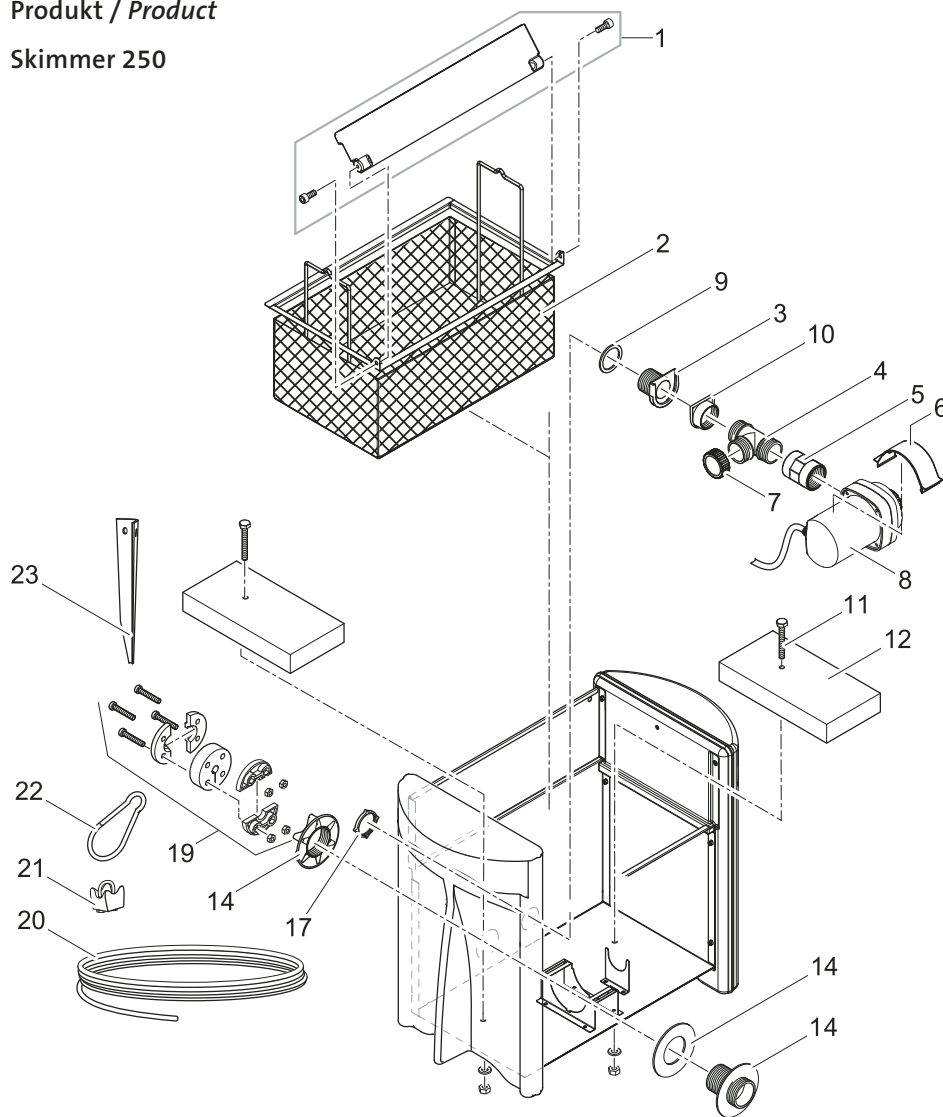
Produkt / Product

57134 ProfiSkim 100



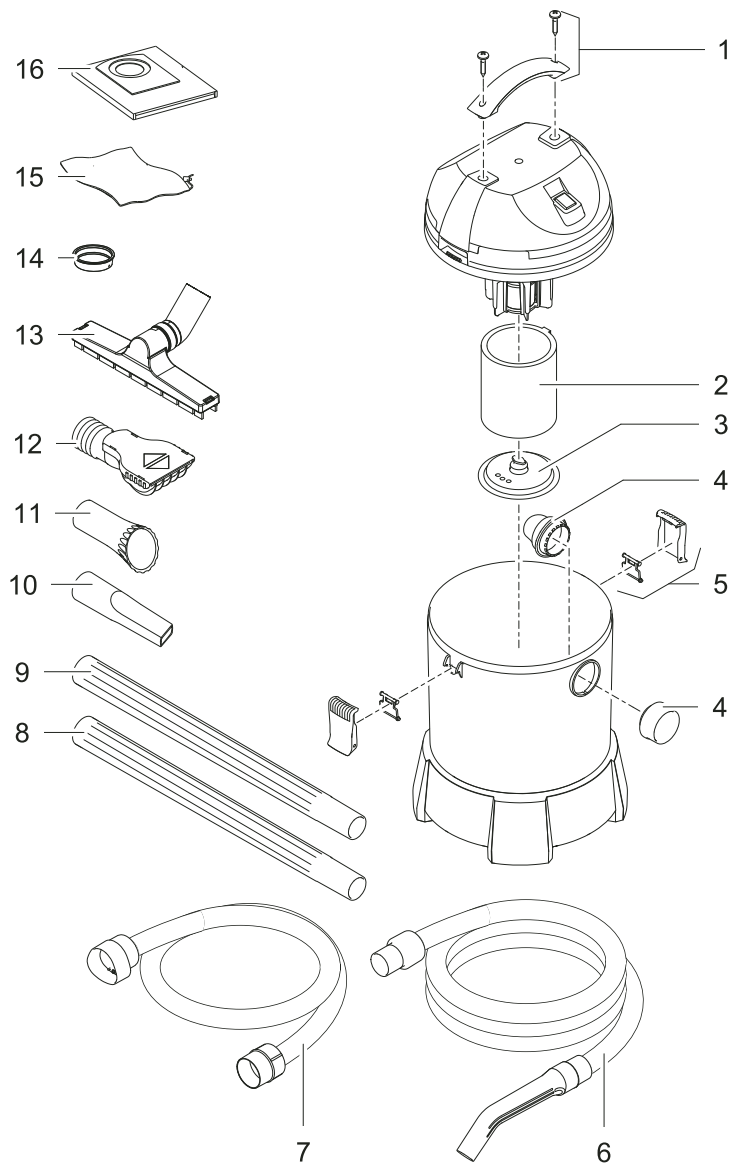
Pos.	Produkt / Product	Artikelnr. / Item no.	Ersatzteil	Spare part
1	ProfiSkim 100	28037	Griff Sieb ProfiSkim 100	Handle sieve ProfiSkim 100
2	ProfiSkim 100	28036	Edelstahlsieb ProfiSkim 100	Stainless steel sieve ProfiSkim 100
3	ProfiSkim 100	27844	Sockel ProfiSkim 100	Base ProfiSkim 100
4	ProfiSkim 100	35657	Beipack Rohrreduzierung 110 mm x 2"	Additional pack pipe reduc. 110 mm x 2"

Produkt / Product  
57480 Skimmer 250



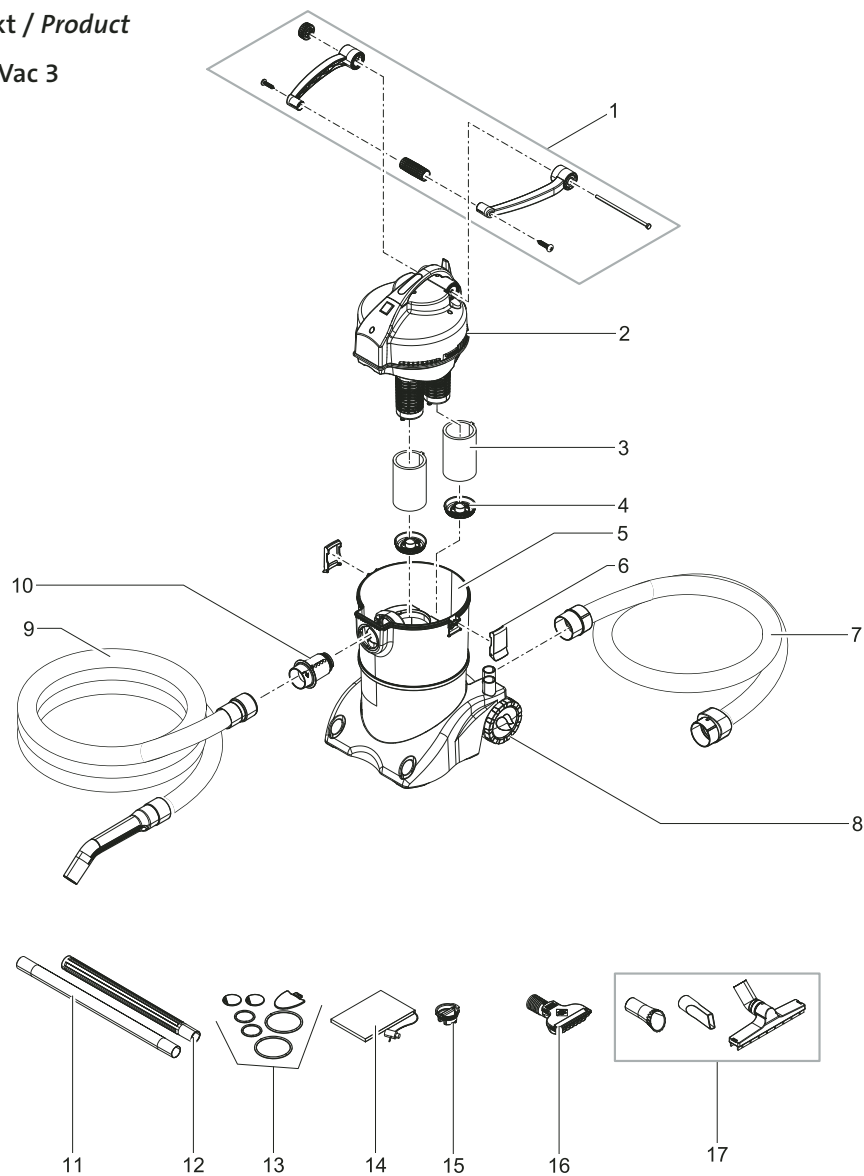
Pos.	Produkt / Product	Artikelnr. / Item no.	Ersatzteil	Spare part
1	Skimmer 250	22329	Ersatz Schwimmerklappe Skimmer 250	Spare float flap Skimmer 250
2	Skimmer 250	29958	Korb Skimmer 250 LM	Basket Skimmer 250 LM
3	Skimmer 250	34201	Druckstück Skimmer	Pressure piece Skimmer
4	Skimmer 250	34705	BG Absperrschieber	ASM gate valve
5	Skimmer 250	10060	Doppelmuffe IG 1½"	Double bush IG 1½"
6	Skimmer 250	34812	Spannklammer Motorgehäuse KU	Clamp clip motor housing plastic
7	Skimmer 250	24554	Verschlusskappe 1½" FiltoClear / Skimmer	Clothing cap 1½" FiltoClear / Skimmer
8	Skimmer 250	20824	BG AquaMax 15000 neu unv.	ASM AquaMax 15000 new
9	Skimmer 250	19506	Flachdichtung NBR 60 x 47 x 3 SH40	Flat gasket NBR 60 x 47 x 3 SH40
10	Skimmer 250	34200	Pumpenanschluss Skimmer	Pump connection Skimmer
12	Skimmer 250	21490	Betonplatte 300 x 150 x 45 mm	Concrete slab 300 x 150 x 45 mm
14	Skimmer 250	27643	BG Durchführung kpl.	ASM grommet cpl.
17	Skimmer 250	33348	Mutter G 1½	Nut G 1½
19	Skimmer 250	57154	Tradux	Tradux
20	Skimmer 250	30119	Drahtseil VA 3 mm x 20 m	Wire robe stainless steel 3 mm x 20 m
21	Skimmer 250	30117	Edelstahl-Schraubklammer 3 mm	Stainless steel screw clamp 3 mm
22	Skimmer 250	16941	Edelstahl-Karabinerhaken 60 x 6	Stainless steel carabiner 60 x 6
23	Skimmer 250	30128	Befestigungsdorn 450	Fastener 450

Produkt / Product  
50529 PondoVac Classic



Pos.	Produkt / Product	Artikelnr. / Item no.	Ersatzteil	Spare part
1	PondoVac Classic	28062	Ersatz Handgriff Classic	Spare part handle Classic
2	PondoVac Classic	44004	Ersatz Filterschaum PondoVac Classic / 5	Spare filter foam PondoVac Classic / 5
3	PondoVac Classic	44001	Ersatz Rastplatte PondoVac Classic / 5	Spare engage plate PondoVac Classic / 5
4	PondoVac Classic	37899	Ersatz Einlauf PondoVac Classic	Spare part intake PondoVac Classic
5	PondoVac Classic	43993	Ersatz Klammer PondoVac Classic	Spare part clamp PondoVac Classic
6	PondoVac Classic	44007	Ersatz Saugschlauch PondoVac Classic	Spare part intake hose PondoVac Classic
7	PondoVac Classic	44008	Ersatz Auslaßschlauch PondoVac Classic	Spare part outlet hose PondoVac Classic
8	PondoVac Classic	44000	Ersatz Saugrohr PondoVac schwarz	Spare part suction pipe PondoVac black
9	PondoVac Classic	44003	Ersatz Saugrohr PondoVac transparent	Spare suction pipe PondoVac transparent
10	PondoVac Classic	27157	Fugendüse	Crevice nozzle
11	PondoVac Classic	25389	Fadenalgendüse	String algae nozzle
12	PondoVac Classic	44010	Ersatz Universaldüse PondoVac 90 mm	Spare universal nozzle PondoVac 90 mm
13	PondoVac Classic	27158	Nasssaugdüse	Wet suction nozzle
14	PondoVac Classic	43994	Ersatz Verschlussstopfen PondoVac Cl.	Spare part plug PondoVac Classic
15	PondoVac Classic	44009	Schlammuffangbeutel PondoVac Classic	Spare part debris bag PondoVac Classic
16	PondoVac Classic	44006	Ersatz Filtertüte PondoVac Classic	Spare part filter bag PondoVac Classic

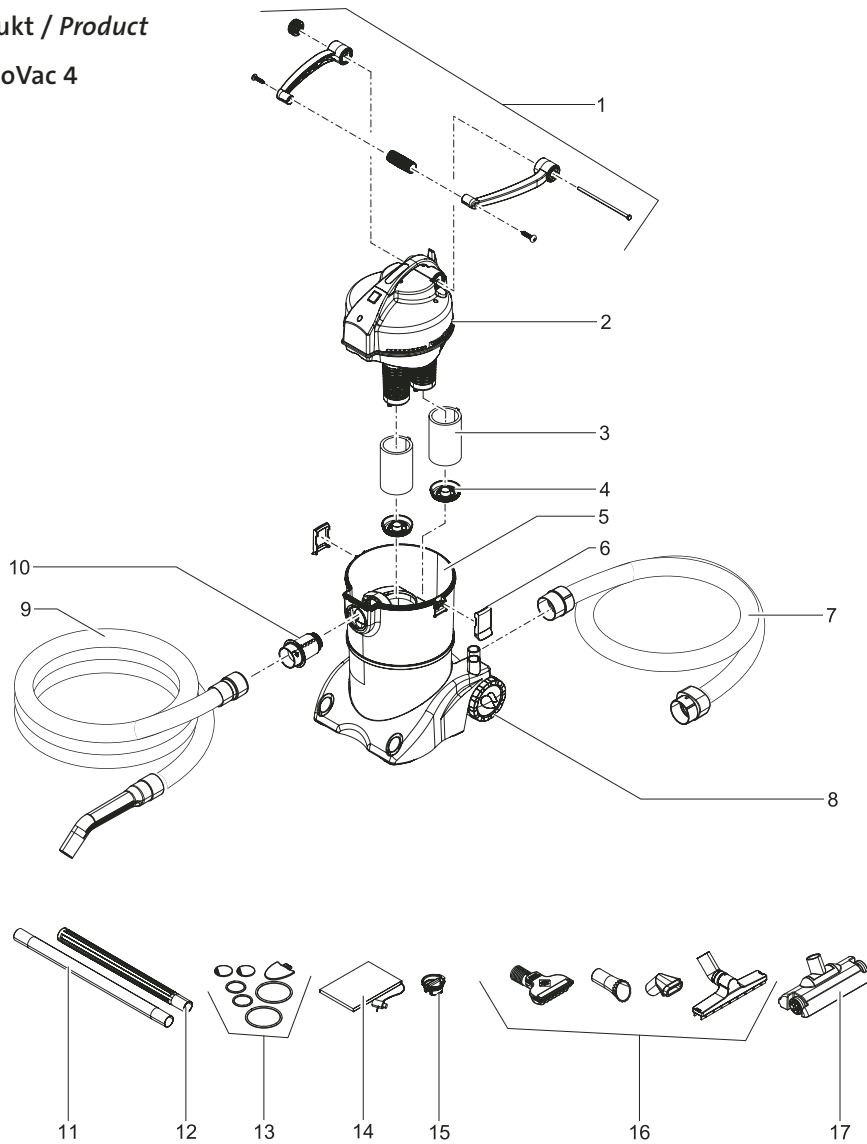
Produkt / Product  
37102 PondoVac 3



Pos.	Produkt / Product	Artikelnr. / Item no.	Ersatzteil	Spare part
1	PondoVac 3	44024	Ersatz Bügelgriff PondoVac 3 / 4 / 5	Spare ASM adjustable handle PondoVac 3 / 4 / 5
2	PondoVac 3	43998	Ersatz Motorkopf PondoVac 3	Spare part motor head PondoVac 3
3	PondoVac 3	2 x 43996	Ersatz Filterschaum PondoVac 3 / 4	Spare part filter foam PondoVac 3 / 4
4	PondoVac 3	2 x 43999	Ersatz Rastplatte PondoVac 3 / 4	Spare part engage plate PondoVac 3 / 4
5	PondoVac 3	13912	Ersatz Behälter kpl. PondoVac 3 / 4	Spare part tank cpl. PondoVac 3 / 4
6	PondoVac 3	44026	Ersatz Klammer PondoVac 3 / 4 / 5	Spare part clamp PondoVac 3 / 4 / 5
7	PondoVac 3	43992	Ersatz Ablaufschlauch PondoVac 3 / 4	Spare part outlet hose PondoVac 3 / 4
8	PondoVac 3	2 x 26876	Rad PondoVac 3	Wheel PondoVac 3
9	PondoVac 3	44029	Ers. Saugschlauchgarnitur PondoVac 3 / 4 / 5	Spare part intake hose PondoVac 3 / 4 / 5
10	PondoVac 3	27248	BG Einlassverteiler schwarz	ASM inlet distributor black
11	PondoVac 3	44003	Ersatz Saugrohr PondoVac transparent	Spare suction pipe PondoVac transparent
12	PondoVac 3	4 x 44000	Ersatz Saugrohr PondoVac schwarz	Spare part suction pipe PondoVac black
13	PondoVac 3	35398	Ersatz Set Gummitteile	Spare set rubber parts
14	PondoVac 3	44005	Ersatz Schmutzfangbeutel PondoVac 3 / 4	Spare part debris bag PondoVac 3 / 4
15	PondoVac 3	43994	Ersatz Verschlussstopfen PondoVac Classic	Spare part plug PondoVac Classic
16	PondoVac 3	44010	Ersatz Universaldüse PondoVac 90 mm	Spare universal nozzle PondoVac 90 mm
17	PondoVac 3	44030	Ersatz Düsenset PondoVac	Spare part nozzle set PondoVac

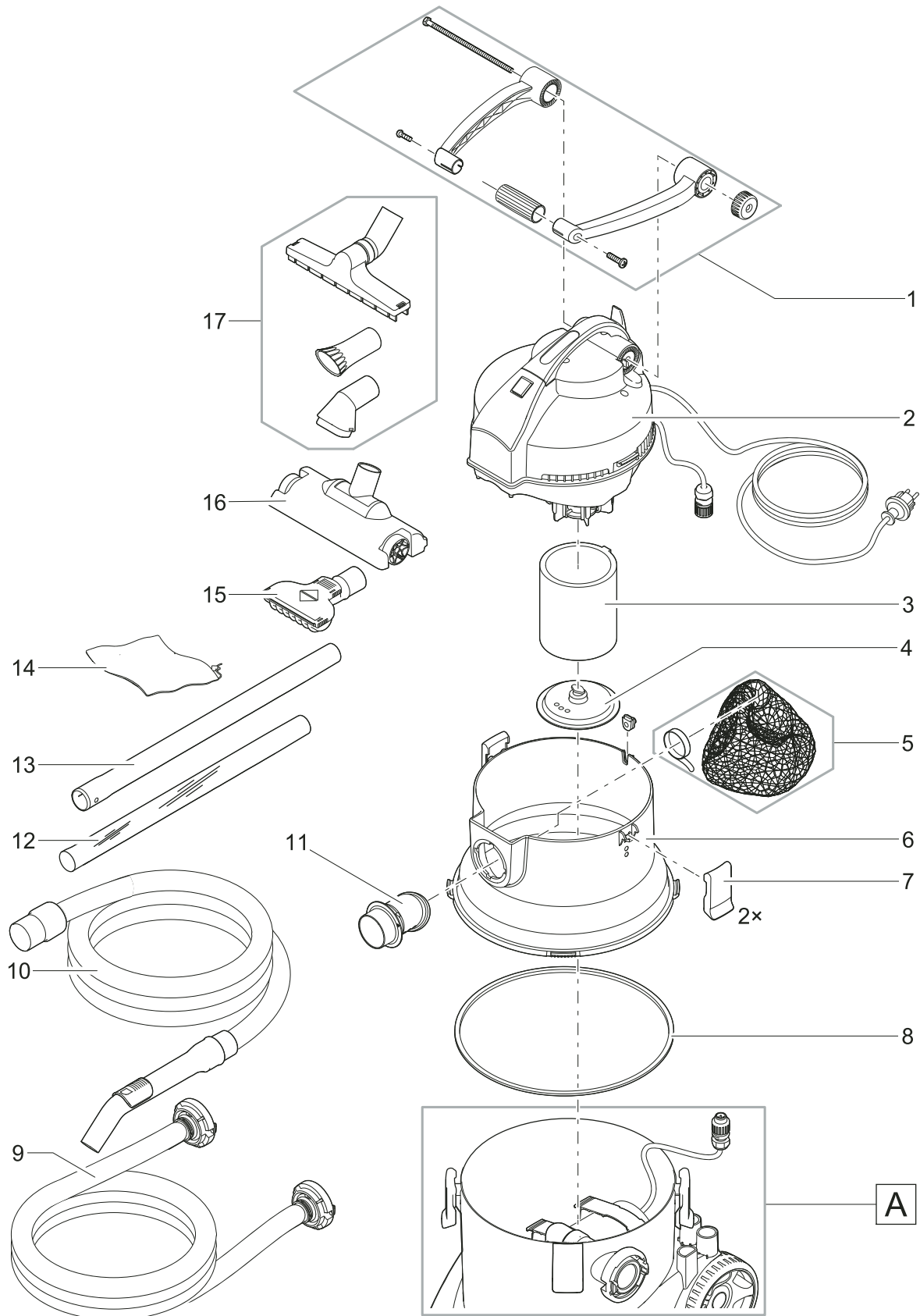
Produkt / Product

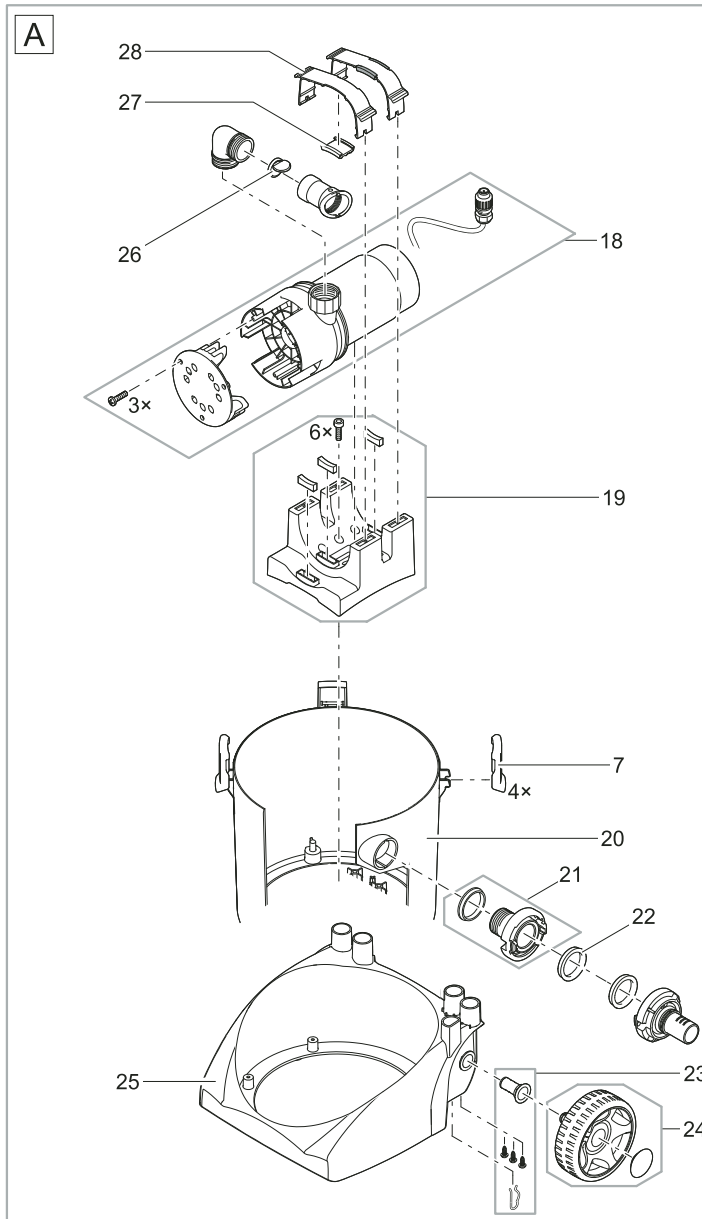
50388 PondoVac 4



Pos.	Produkt / Product	Artikelnr. / Item no.	Ersatzteil	Spare part
1	PondoVac 4	44024	Ersatz Bügelgriff PondoVac 3 / 4 / 5	Spare ASM adjustable handle PondoVac 3 / 4 / 5
2	PondoVac 4	43991	Ersatz Motorenkopf PondoVac 4	Spare part motor head PondoVac 4
3	PondoVac 4	43996	Ersatz Filterschaum PondoVac 3 / 4	Spare part filter foam PondoVac 3 / 4
4	PondoVac 4	43999	Ersatz Rastplatte PondoVac 3 / 4	Spare part engage plate PondoVac 3 / 4
5	PondoVac 4	13912	Ersatz Behälter kpl. PondoVac 3 / 4	Spare part tank cpl. PondoVac 3 / 4
6	PondoVac 4	44026	Ersatz Klammer PondoVac 3 / 4 / 5	Spare part clamp PondoVac 3 / 4 / 5
7	PondoVac 4	43992	Ersatz Ablaufschlauch PondoVac 3 / 4	Spare part outlet hose PondoVac 3 / 4
8	PondoVac 4	13910	Ersatzradset PondoVac 4	Spare wheel set PondoVac 4
9	PondoVac 4	44029	Ers. Saugschlauchgarnitur PondoVac 3 / 4 / 5	Spare part intake hose PondoVac 3 / 4 / 5
10	PondoVac 4	43990	Ersatz Einlassverteiler PondoVac 3 / 4	Spare inlet distributor PondoVac 3 / 4
11	PondoVac 4	44003	Ersatz Saugrohr PondoVac transparent	Spare suction pipe PondoVac transparent
12	PondoVac 4	4 x 16347	BG Aluminiumrohr PondoVac 4	ASM aluminum pipe PondoVac 4
	PondoVac 4	44000	Ersatz Saugrohr PondoVac schwarz	Spare part suction pipe PondoVac black
13	PondoVac 4	35398	Ersatz Set Gummiteile	Spare set rubber parts
14	PondoVac 4	44005	Ersatz Schmutzfangbeutel PondoVac 3 / 4	Spare part debris bag PondoVac 3 / 4
15	PondoVac 4	44002	Ersatz Stopfen PondoVac 3 / 4	Spare part plug PondoVac 3 / 4
16	PondoVac 4	13909	Ersatz Düsenset PondoVac 4	Spare nozzle set PondoVac 4
17	PondoVac 4	12696	BG Flächendüse	ASM surface brush

Produkt / Product  
41982 PondoVac 5





Pos.	Produkt / Product	Artikelnr. / Item no.	Ersatzteil	Spare part
1	PondoVac 5	44024	Ersatz Bügelgriff PondoVac 3 / 4 / 5	Spare ASM adjustable handle PondoVac 3 / 4 / 5
2	PondoVac 5	44014	Ersatz Motorenkopf PondoVac 5	Spare part motor head PondoVac 5
3	PondoVac 5	44004	Ersatz Filterschaum PondoVac Classic / 5	Spare filter foam PondoVac Classic / 5
4	PondoVac 5	44001	Ersatz Rastplatte PondoVac Classic / 5	Spare engage plate PondoVac Classic / 5
5	PondoVac 5	44020	Ersatz Schmutzfangbeutel mit Klettband	Spare part debris bag with strap
6	PondoVac 5	44011	Ersatz Behälteroberteil PondoVac 5	Spare part tank top PondoVac 5
7	PondoVac 5	44026	Ersatz Klammer PondoVac 3 / 4 / 5	Spare part clamb PondoVac 3 / 4 / 5
8	PondoVac 5	44018	Ersatz Dichtung Tank PondoVac 5	Spare part tank sealing PondoVac 5
9	PondoVac 5	43487	Verlängerungsschlauch PondoVac 5	Extension hose PondoVac 5
10	PondoVac 5	44029	Ers. Saugschlauchgarnitur PondoVac 3 / 4 / 5	Spare part intake hose PondoVac 3 / 4 / 5
11	PondoVac 5	44013	Ersatz Einlass PondoVac 5	Spare part intake PondoVac 5
12	PondoVac 5	44003	Ersatz Saugrohr PondoVac transparent	Spare suction pipe PondoVac transparent
13	PondoVac 5	44028	Ersatz Aluminiumrohr PondoVac	Spare suction pipe aluminium PondoVac
14	PondoVac 5	44005	Ersatz Schmutzfangbeutel PondoVac 3 / 4	Spare part debris bag PondoVac 3 / 4

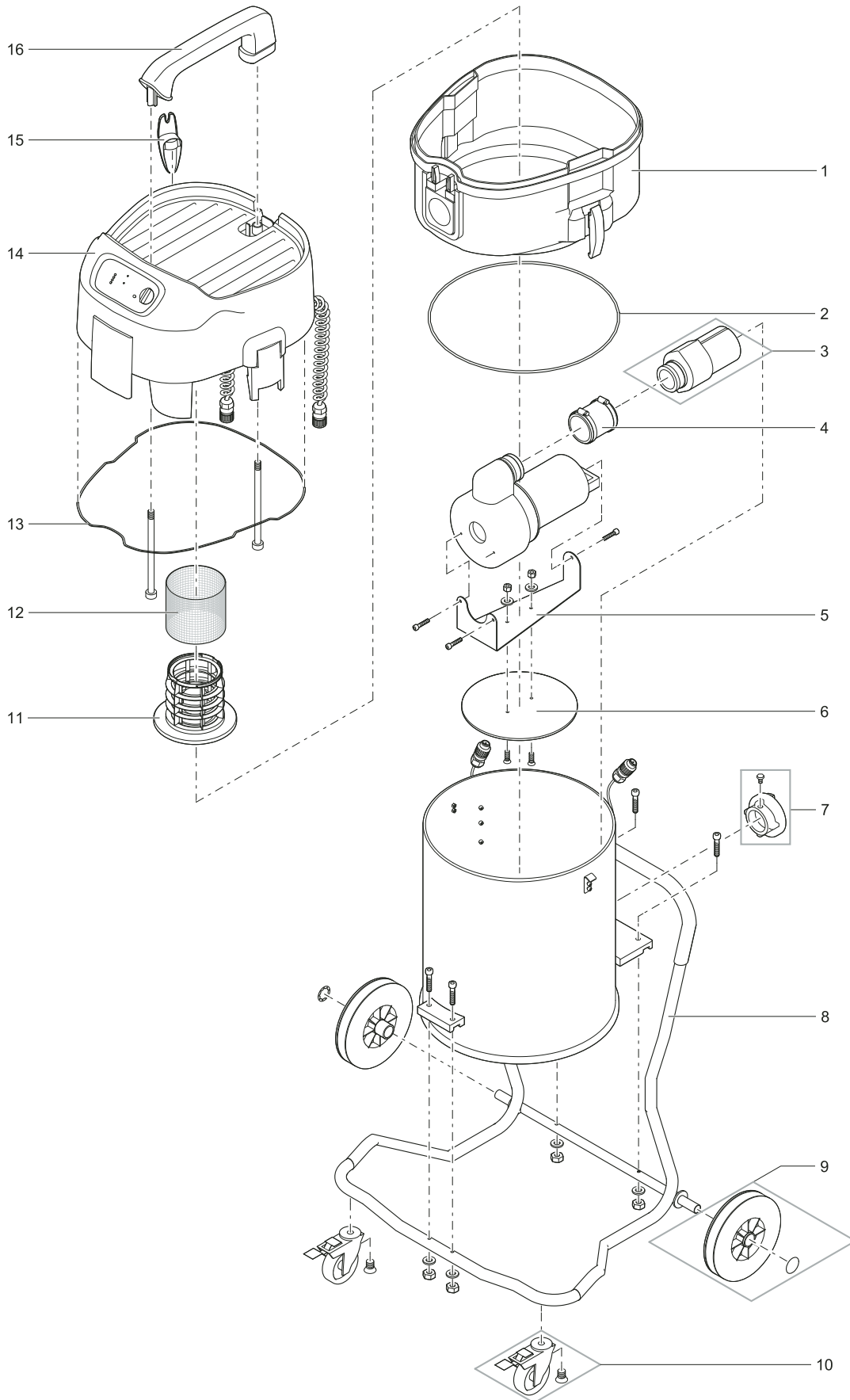


Pos.	Produkt / Product	Artikelnr. / Item no.	Ersatzteil	Spare part
15	PondoVac 5	44027	Ersatz Universaldüse PondoVac 125 mm	<i>Spare universal nozzle PondoVac 125 mm</i>
16	PondoVac 5	44025	Ersatz Flächendüse PondoVac	<i>Spare part surface brush PondoVac</i>
17	PondoVac 5	44030	Ersatz Düsenset PondoVac	<i>Spare part nozzle set PondoVac</i>
18	PondoVac 5	44021	Ersatz Pumpe PondoVac 5	<i>Spare part pump PondoVac 5</i>
19	PondoVac 5	44015	Ersatz Pumpenhalter PondoVac 5	<i>Spare part pump holder PondoVac 5</i>
20	PondoVac 5	44012	Ersatz Behälterunterteil PondoVac 5	<i>Spare part tank bottom PondoVac 5</i>
21	PondoVac 5	44016	Ersatz C-Kupplung PondoVac 5	<i>Spare part c-cuppler PondoVac 5</i>
22	PondoVac 5	44168	Ersatz Dichtung C-Kupplung PondoVac 5	<i>Spare part gasket C-coupler PondoVac 5</i>
23	PondoVac 5	44023	Ersatz Radbuchse PondoVac 5	<i>Spare part wheel sleeve PondoVac 5</i>
24	PondoVac 5	44022	Ersatz Rad PondoVac 5	<i>Spare part wheel PondoVac 5</i>
25	PondoVac 5	44019	Ersatz Sockel PondoVac 5	<i>Spare part base PondoVac 5</i>
26	PondoVac 5	44017	Ersatz Rückschlagklappe PondoVac 5	<i>Spare part check valve PondoVac 5</i>
27	PondoVac 5	17232	Gummieinsatz AquaMax Pro	<i>Rubber part AquaMax Pro</i>
28	PondoVac 5	16978	Klammer EC1	<i>Clamp EC1</i>

Produkt / Product

40256 PondoVac Premium

41388 PondoVac Premium



Pos.	Produkt / Product	Artikelnr. / Item no.	Ersatzteil	Spare part
1	PondoVac Premium	41417	Adapterring Saugerkopf-Behälter	Spacer ring
2	PondoVac Premium	41419	Dichtung Adapterring-Behälter	Sealing spacer ring-tank
3	PondoVac Premium	41422	Rückschlagklappe 2" für Druckleitung	Check valve for pressure pipe
4	PondoVac Premium	41421	Elastischer Verbinder DN50 mit Schellen	Elastic connector with clip collar
5	PondoVac Premium	41425	Pumpenhalterung PondoVac Premium	Holder draining pump PondoVac Premium
6	PondoVac Premium	41426	PE-Platte Pumpenaufnahme	PE plate for holder
7	PondoVac Premium	41428	Festkupplung C-Storz 2" IG Alu	C-coupler 2" female thread AL
8	PondoVac Premium	41429	Fahrwerk PondoVac Premium	Underbody PondoVac Premium
9	PondoVac Premium	41430	Vollgummi-Reifen Fahrwerk	Solid rubber wheel
10	PondoVac Premium	41431	Lenkrolle mit Totalfeststeller	Guide roll with locking device
11	PondoVac Premium	41415	Filterstützkorb	Strainer basket
12	PondoVac Premium	41414	Filtersieb VA	Strainer stainless steel
13	PondoVac Premium	41413	Dichtung Saugkopf-Adapterring	Sealing motorhead-spacer ring
14	PondoVac Premium	41409	Saugerkopf PondoVac Premium	Motorhead PondoVac Premium
15	PondoVac Premium	41412	Kabelhalter 145 x 57 x 45	Cable holder 145 x 57 x 45
16	PondoVac Premium	41411	Griff für Abdeckhaube Saugerkopf	Handle for top cover

Produkt / Product

40291 EasyPick



Pos.	Produkt / Product	Artikelnr. / Item no.	Ersatzteil	Spare part
1	EasyPick	40637	Ersatzgummiabdeckungen Greifarm EasyPick	Spare rubbercaps grappeler EasyPick

Produkt / Product

51243 FlexiCut 2 in 1

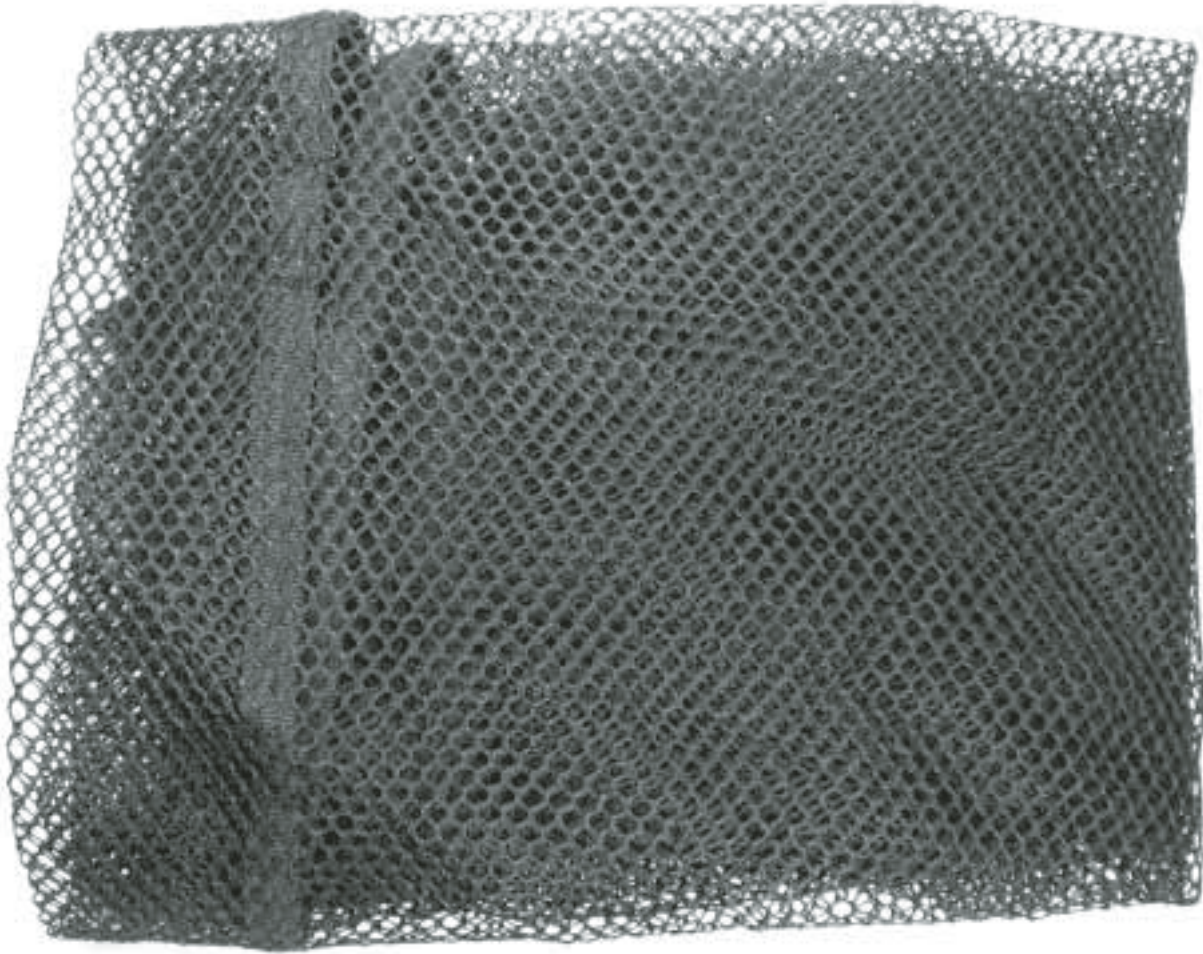


Pos.	Produkt / Product	Artikelnr. / Item no.	Ersatzteil	Spare part
1	FlexiCut 2 in 1	51272	Ersatzscherenkopf FlexiCut 2 in 1	Spare scissor head FlexiCut 2 in 1

Produkt / Product

50079 Profi Fischkescher

50078 Profi Teichkescher



Pos.	Produkt / Product	Artikelnr. / Item no.	Ersatzteil	Spare part
1	Profi Fischkescher	50956	Ersatznetz Profi Fischkescher	Spare net Profi Fish net
	Profi Teichkescher	50961	Ersatznetz Profi Teichkescher	Spare net Profi Pond net

Produkt / Product

50571 AquaActiv Wasseranalyse Profi-Set



50660 Nachfüllset Nitrit/Nitrat / Refill pack nitrite/nitrate



50661 Nachfüllset Phosphat / Refill pack phosphate



50662 Nachfüllset GH/KH / Refill pack hardness/carbonate hardness



50663 Nachfüllset Ammonium/Ammoniak / Refill pack ammonium/ammonia



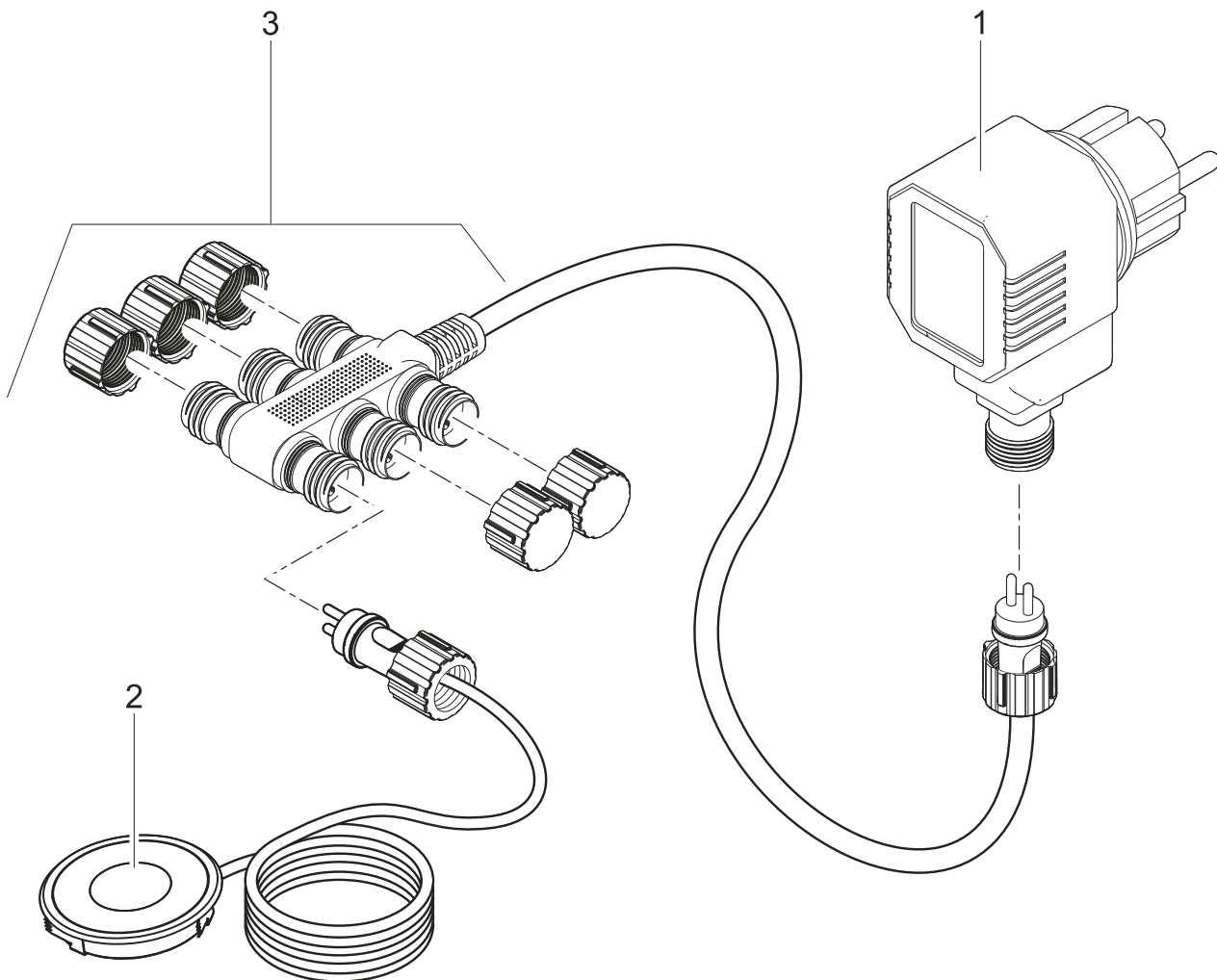
50664 Nachfüllset pH / Refill pack hardness/carbonate hardness

Pos.	Produkt / Product	Artikelnr. / Item no.	Ersatzteil	Spare part
1	AquaActiv Wasseranalyse Profi-Set	50660	Nachfüllset Nitrit / Nitrat	Refill pack nitrite / nitrate
2	AquaActiv Wasseranalyse Profi-Set	50661	Nachfüllset Phosphat	Refill pack phosphate
3	AquaActiv Wasseranalyse Profi-Set	50662	Nachfüllset GH / KH	Refill pack hardness / carbonate hardness
4	AquaActiv Wasseranalyse Profi-Set	50663	Nachfüllset Ammonium/Ammoniak	Refill pack ammonium / ammonia
5	AquaActiv Wasseranalyse Profi-Set	50664	Nachfüllset pH	Refill pack pH-value

Produkt / Product

51043 LunAqua Terra LED Set 3

50729 LunAqua Terra LED Set 6



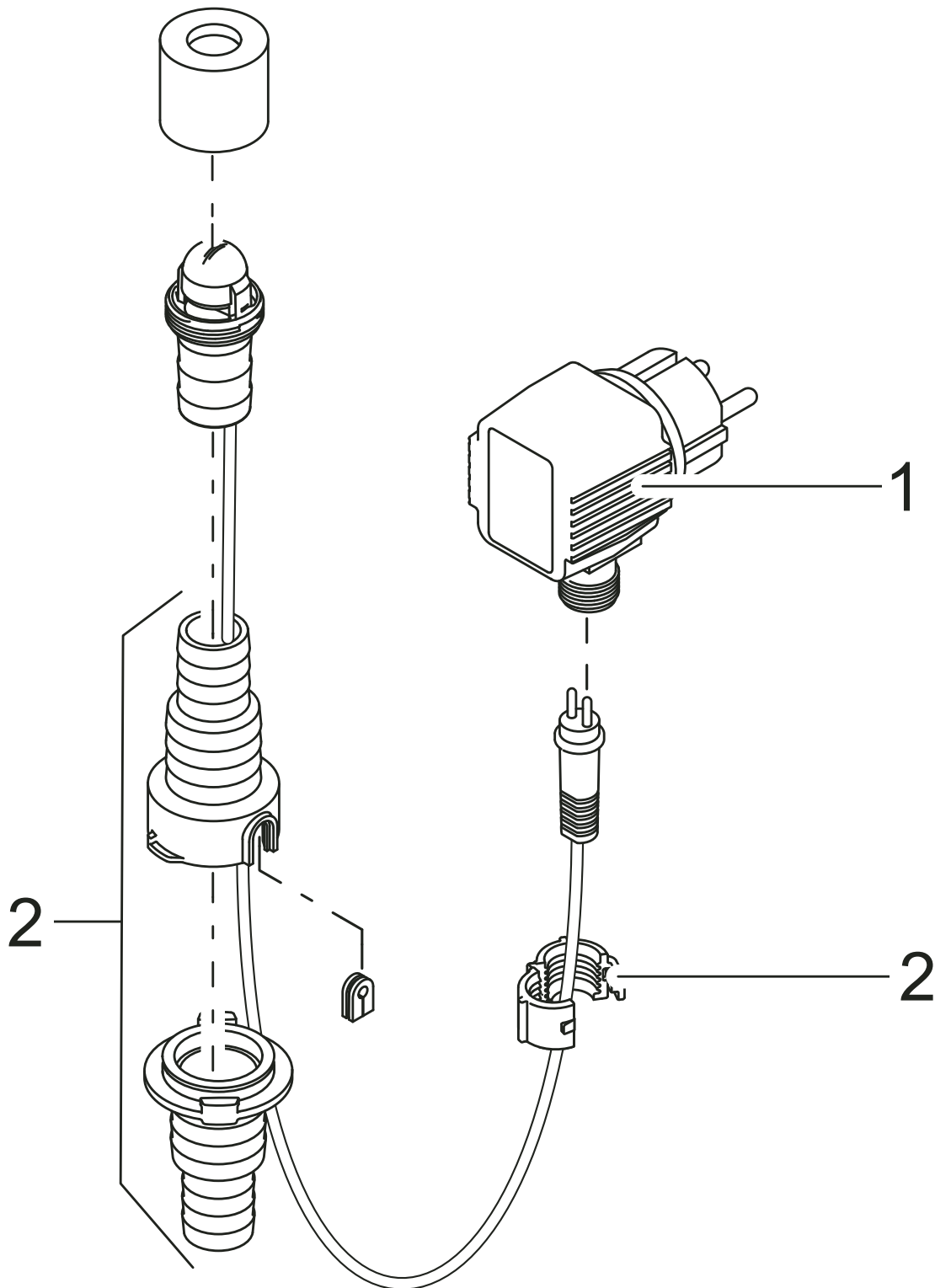
Pos.	Produkt / Product	Artikelnr. / Item no.	Ersatzteil	Spare part
1	LunAqua Terra LED	11252	Trafo DE-02-12DW 35/9 R	Transformer DE-02-12DW 35/9 R
2	LunAqua Terra LED	51056	LunAqua Terra LED Solo	LunAqua Terra LED Solo
3	LunAqua Terra LED	15933	Adapter male H05RN-F2 x 0,75 / female 6 x 2,3	Adapter male H05RN-F2 x 0.75 / female 6 x 2.3



Produkt / Product

50114 LunaLed 6s

50115 LunaLed 9s

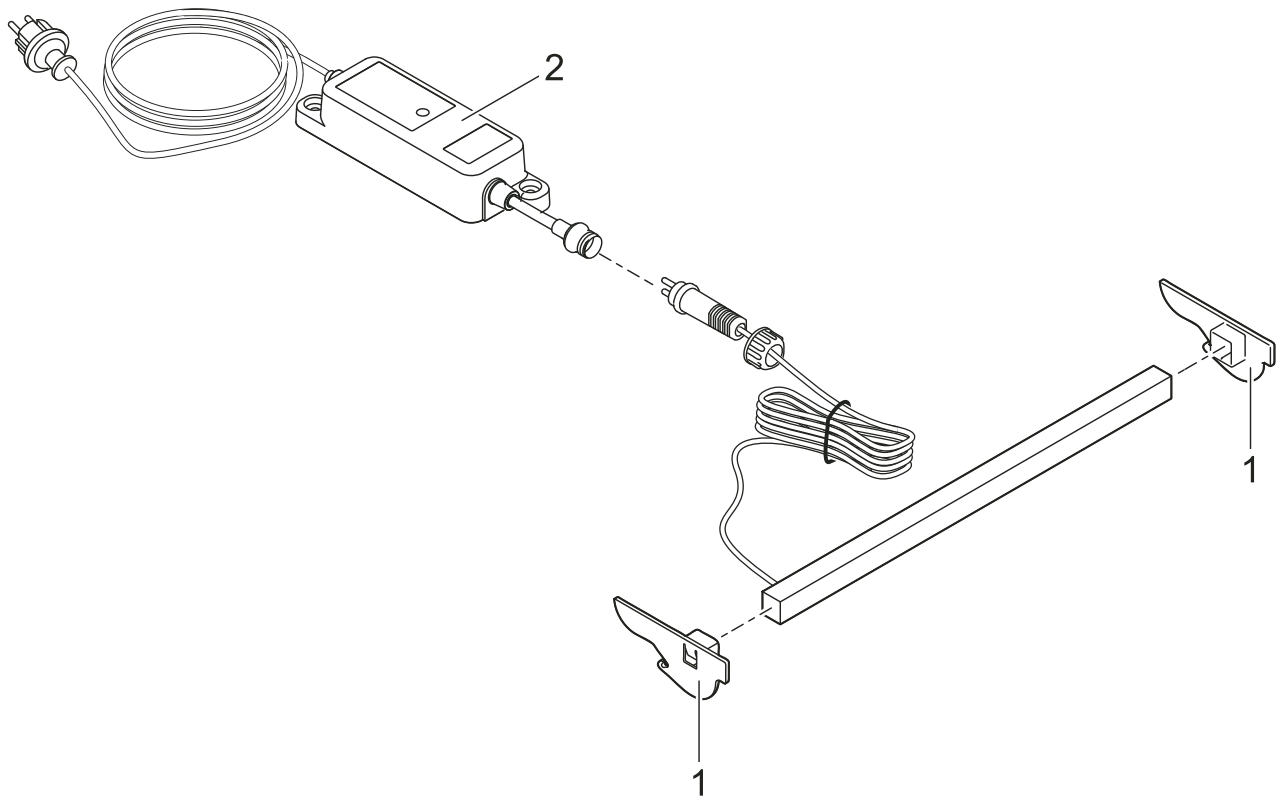


Pos.	Produkt / Product	Artikelnr. / Item no.	Ersatzteil	Spare part
1	LunaLed 6s – 9s	11252	Trafo DE-02-12DW 35/9 R	Transformer DE-02-12DW 35/9 R
2	LunaLed 6s – 9s	11908	BG Kabelaustritt LunaLed	ASM cable outlet LunaLed

Produkt / Product

51205 Waterfall Illumination 30

51209 Waterfall Illumination 60

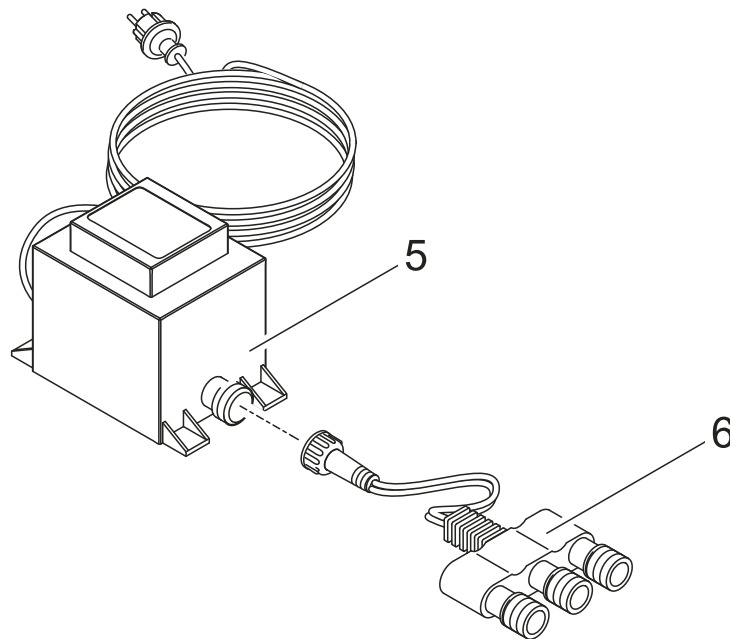
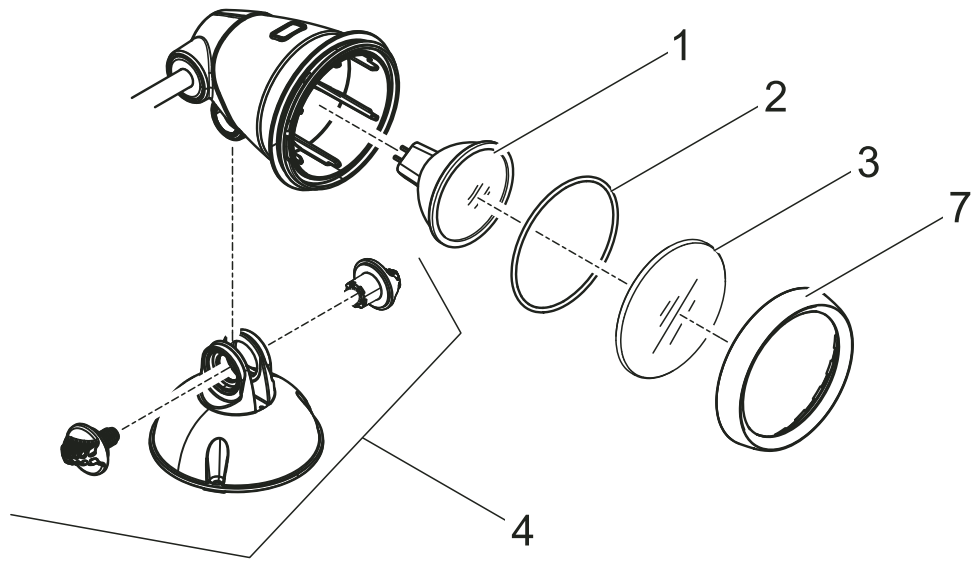


Pos.	Produkt / Product	Artikelnr. / Item no.	Ersatzteil	Spare part
1	Waterfall Illumination 30 – 60	30210	Halterung Waterfall Illumination Ersatz	Holder Waterfall Illumination spare part
2	Waterfall Illumination 30 – 60	22998	Ersatz BG LunAqua LED driver 700 mA	Spare ASM LunAqua LED driver 700 mA

Produkt / Product

50527 LunAqua Classic LED Set 1

50530 LunAqua Classic LED Set 3

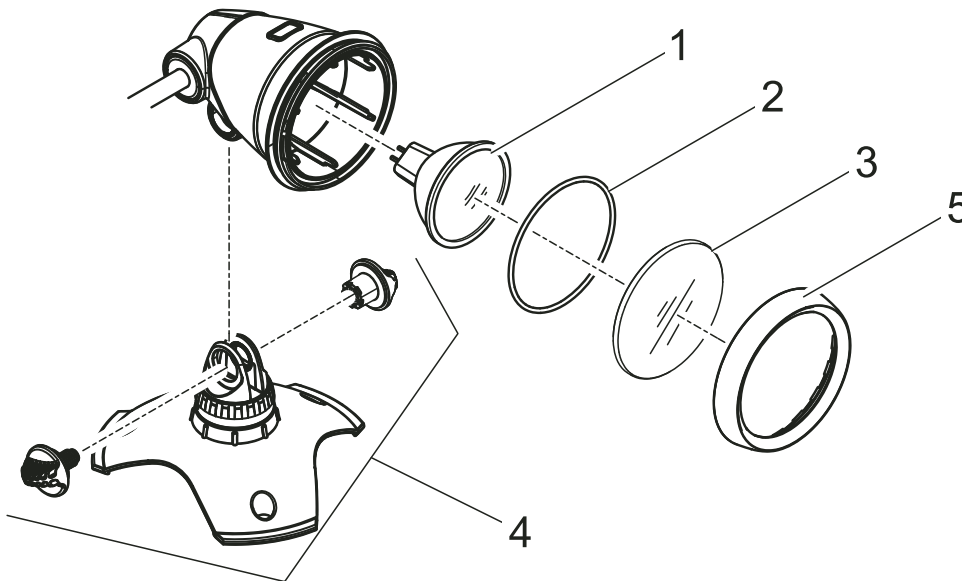


Pos.	Produkt / Product	Artikelnr. / Item no.	Ersatzteil	Spare part
1	LunAqua Classic LED Set 1 & 3	42652	Leuchtmittel LED MR-16 12V / 1 W GU5,3 SMD	Lamp LED MR-16 12 V / 1 W GU5.3 SMD
2	LunAqua Classic LED Set 1 & 3	27267	O-Ring SI 61 x 2 SH70 A schwarz	O-Ring SI 61 x 2 SH70 A black
3	LunAqua Classic LED Set 1 & 3	27259	Glasscheibe klar LunAqua 3	Lens clear LunAqua 3
4	LunAqua Classic LED Set 1 & 3	35649	BG Standfuß Luminis / LunAqua Classic	ASM base Luminis / LunAqua Classic
5	LunAqua Classic LED Set 1 & 3	15118	Trafo 6 VA 2 m H05RN-F 2 x 0,75 mm <sup>2</sup>	Transformer 6 VA 2m H05RN-F 2 x 0.75 mm <sup>2</sup>
6	LunAqua Classic LED Set 1 & 3	15117	Adapter male H05RN-F2 x 0,75 / female 3 x 2,35	Adapter male H05RN-F2 x 0.75 / female 3 x 2.35
7	LunAqua Classic LED Set 1 & 3	27073	Überwurfmutter LunAqua 3 / Classic LED	Coupling nut LunAqua 3 / Classic LED

Produkt / Product

57034 LunAqua 3 LED Set 1

57035 LunAqua 3 LED Set 3

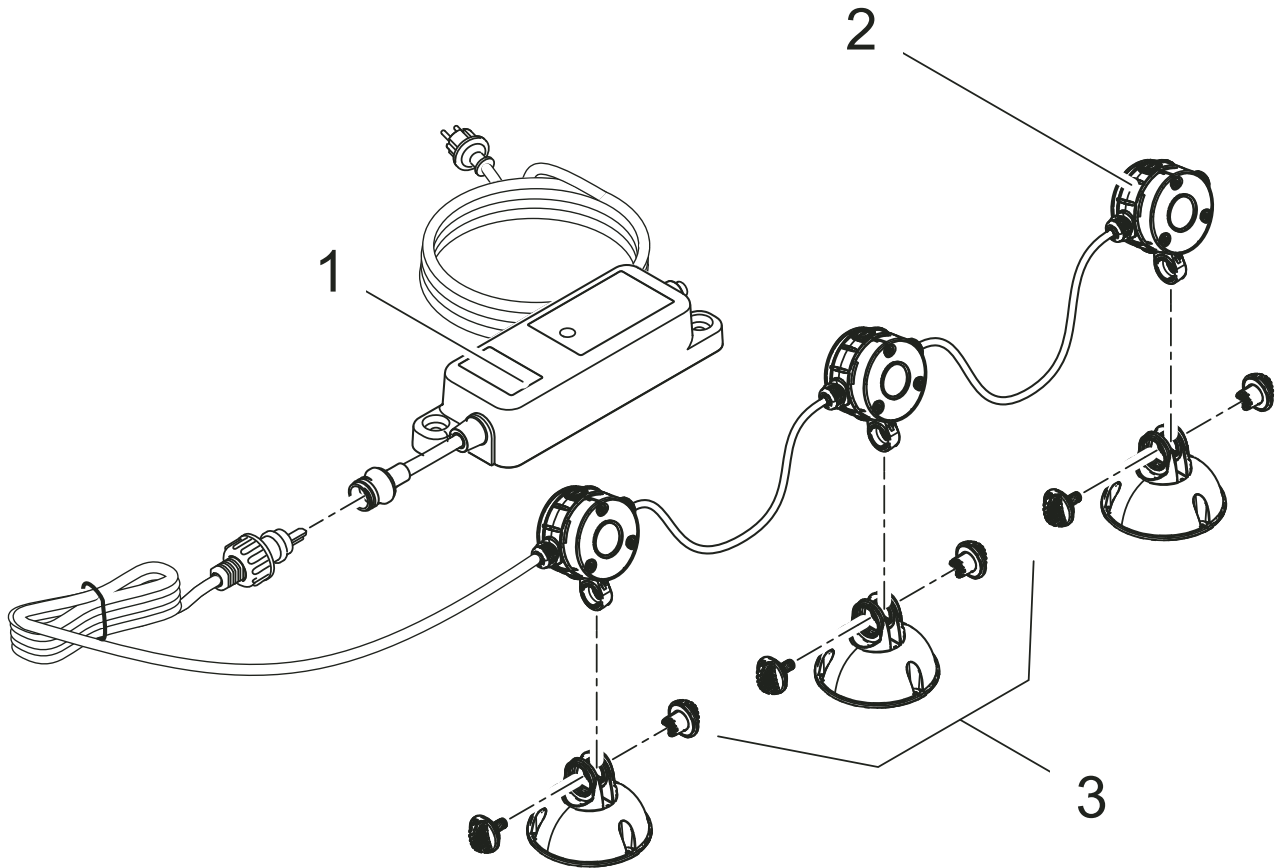


Pos.	Produkt / Product	Artikelnr. / Item no.	Ersatzteil	Spare part
1	LunAqua 3 LED Set 1 & 3	22275	Leuchtmittel LED MR-16 12V / 3x 1W GU5,3	Lamp LED MR-16 12 V / 3 x 1 W GU5.3
2	LunAqua 3 LED Set 1 & 3	27267	O-Ring SI 61 x 2 SH70 A schwarz	O-Ring SI 61 x 2 SH70 A black
3	LunAqua 3 LED Set 1 & 3	27259	Glasscheibe klar LunAqua 3	Lens clear LunAqua 3
4	LunAqua 3 LED Set 1 & 3	22982	Ersatz Standfuss LunAqua 3 LED	Spare part base LunAqua 3 LED
5	LunAqua 3 LED Set 1 & 3	27073	Überwurfmutter LunAqua 3 / Classic LED	Coupling nut LunAqua 3 / Classic LED
6	LunAqua 3 LED Set 1 & 3	22316	Trafo 10,5 VA 2 m H05RN-F 2 x 0,75 mm <sup>2</sup>	Transformer 10.5 VA 2 m H05RN-F 2 x 0.75 mm <sup>2</sup>
7	LunAqua 3 LED Set 1 & 3	15117	Adapter male H05RN-F2 x 0,75 / female 3 x 2,35	Adapter male H05RN-F2 x 0.75 / female 3 x 2.35
8	LunAqua 3 LED Set 1 & 3	20284	Erdspieß	Spike

Produkt / Product

50512 LunAqua Mini LED

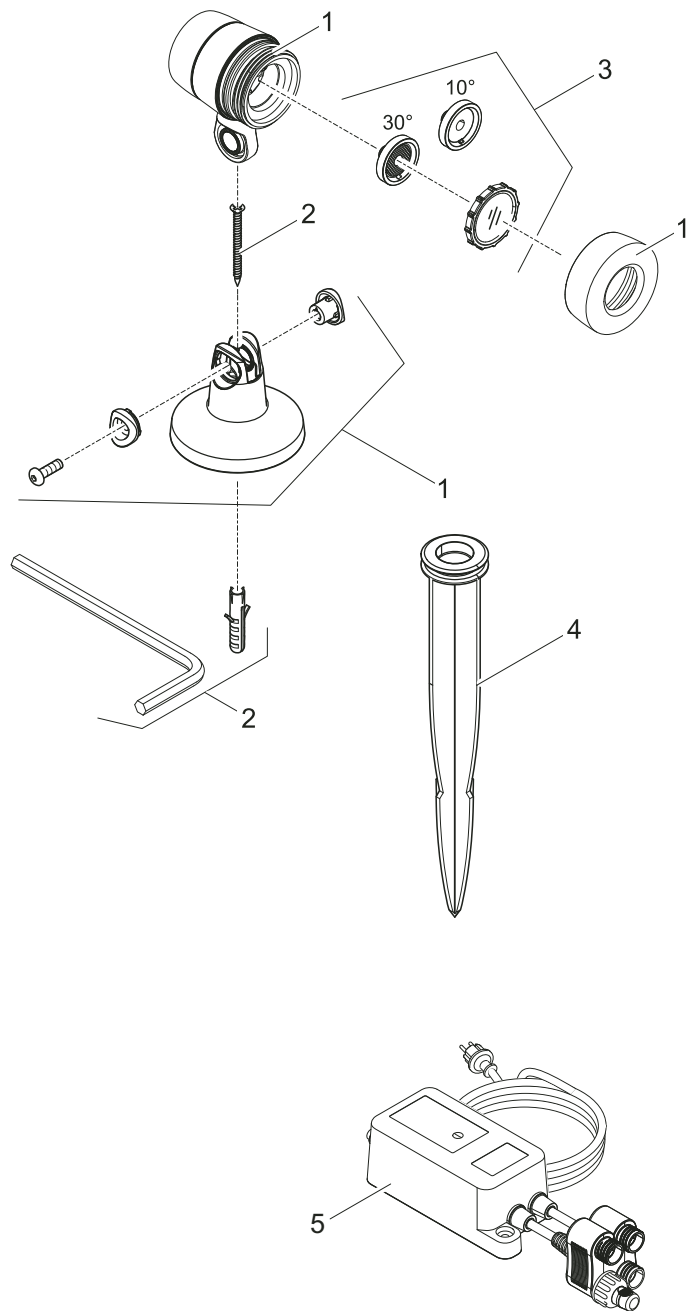
50513 LunAqua Mini LED warm



Pos.	Produkt / Product	Artikelnr. / Item no.	Ersatzteil	Spare part
1	LunAqua Mini LED	15562	BG Elektronik Box LunAqua Mini	ASM Electronic box LunAqua Mini
2	LunAqua Mini LED	30856	BG LED Luminis 3 kaltweiß 2013	ASM LED Luminis 3 cold white 2013
	LunAqua Mini LED warm	30857	BG LED Luminis 3 warmweiß 2013	ASM LED Luminis 3 warm white 2013
3	LunAqua Mini LED	15619	BG Standfuss LunAqua Mini	ASM base LunAqua Mini

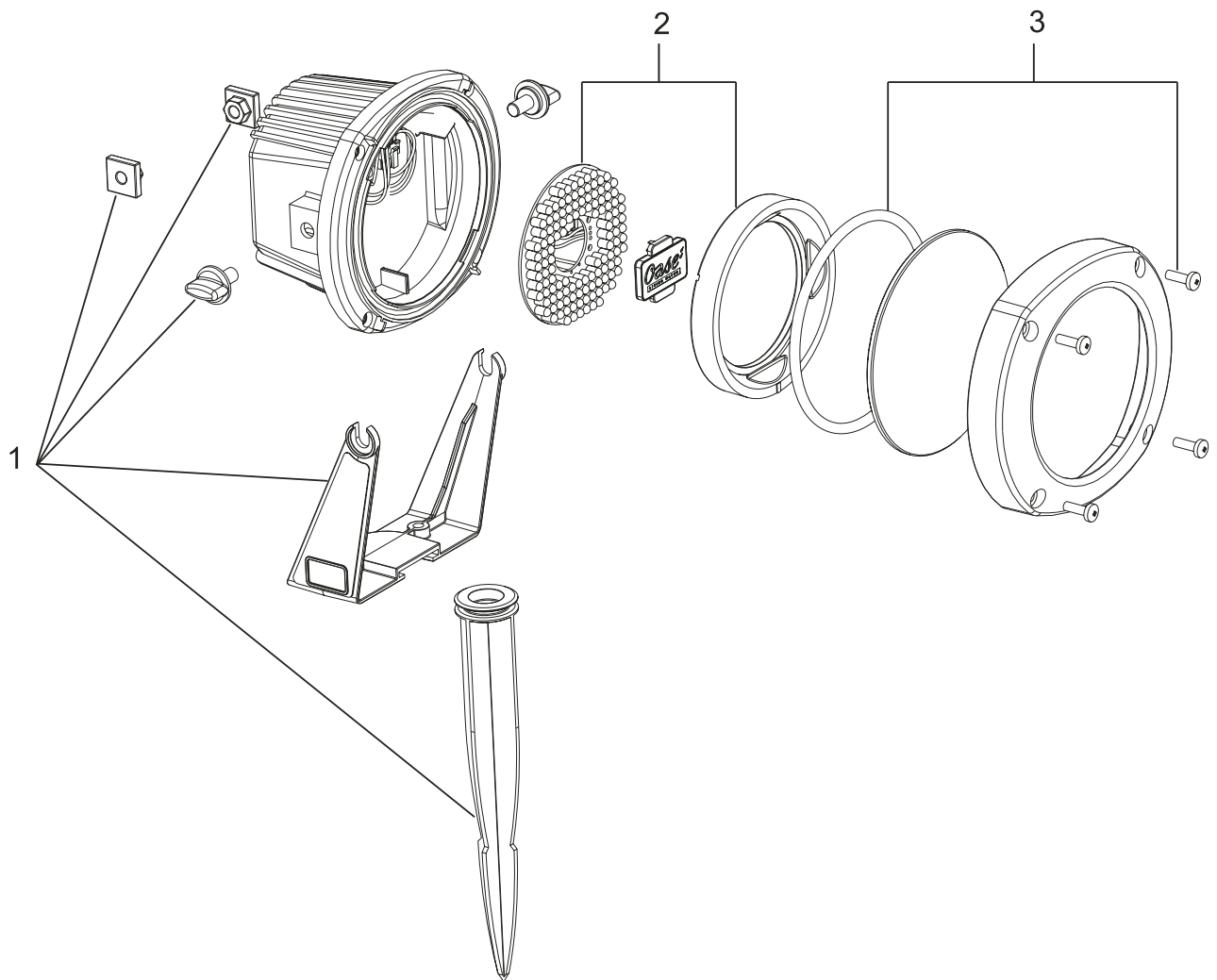
Produkt / Product

- 50509 LunAqua Maxi LED Solo
- 50507 LunAqua Maxi LED Set 1
- 50508 LunAqua Maxi LED Set 3



Pos.	Produkt / Product	Artikelnr. / Item no.	Ersatzteil	Spare part
1	LunAqua Maxi LED Set 1	50509	LunAqua Maxi LED Solo	LunAqua Maxi LED Solo
	LunAqua Maxi LED Set 3	50509	LunAqua Maxi LED Solo	LunAqua Maxi LED Solo
2	LunAqua Maxi LED Set 1 – 3 & Solo	15671	Ersatz Befestigung LunAqua Maxi	Replacement holder LunAqua Maxi
3	LunAqua Maxi LED Set 1 – 3 & Solo	15670	Ersatz Optik LunAqua Maxi	Spare optics LunAqua Maxi
4	LunAqua Maxi LED Set 1 – 3 & Solo	20284	Erdspieß	Spike
5	LunAqua Maxi LED Set 1	14614	BG Elektroeinheit LunAqua Maxi Set 1	ASM electronic unit LunAqua Maxi Set 1
	LunAqua Maxi LED Set 3	15213	BG Elektroeinheit LunAqua Maxi Set 3	ASM electronic unit LunAqua Maxi Set 3

Produkt / Product  
50366 LunAqua 10 LED /01



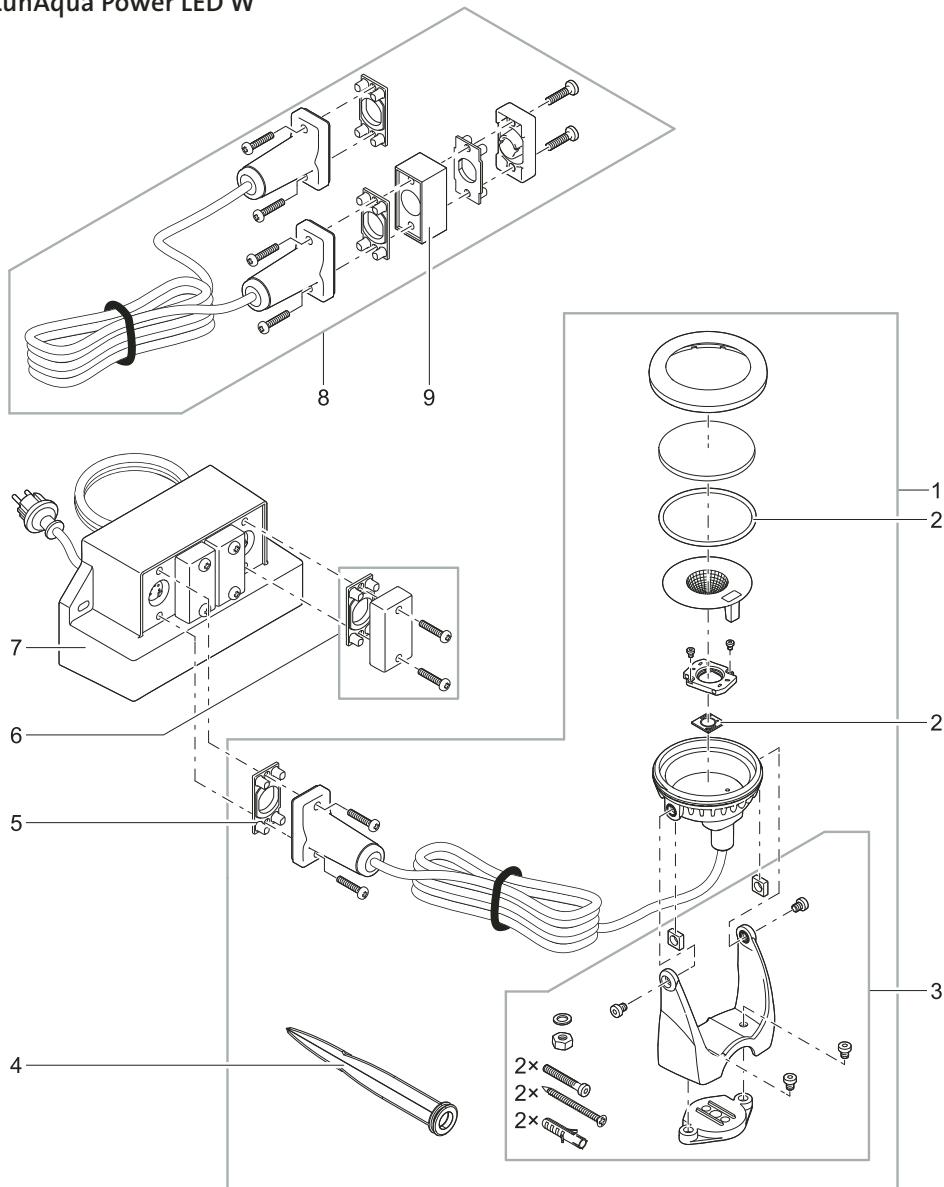
Pos.	Produkt / Product	Artikelnr. / Item no.	Ersatzteil	Spare part
1	LunAqua 10 LED	13422	Ersatz Befestigungsset LunAqua 10 LED	Spare part fastening set LunAqua 10 LED
2	LunAqua 10 LED	13371	Ersatz Leuchtmittel LunAqua 10 LED	Spare part Bulb assembly LunAqua 10 LED
3	LunAqua 10 LED	13421	Ersatz Oberteil / Glas LunAqua 10 LED	Spare part glass LunAqua 10 LED

Produkt / Product

42633 LunAqua Power LED Set 1

42634 LunAqua Power LED Set 3

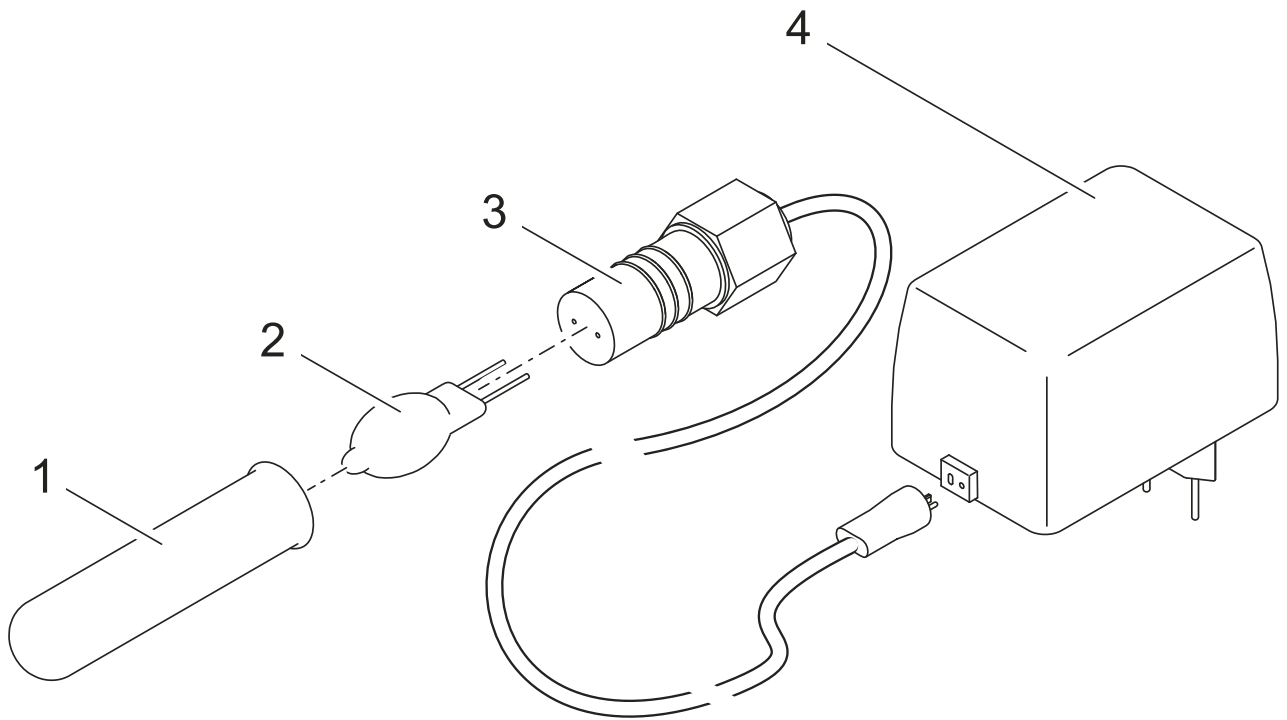
42635 LunAqua Power LED W



Pos.	Produkt / Product	Artikelnr. / Item no.	Ersatzteil	Spare part
1	LunAqua Power LED Set 1	42635	LunAqua Power LED W	LunAqua Power LED W
	LunAqua Power LED Set 3	42635	LunAqua Power LED W	LunAqua Power LED W
2	LunAqua Power Set 1 – 3 & W	43753	Ersatz LED LunAqua Power LED W	Spare LED LunAqua Power LED W
3	LunAqua Power Set 1 – 3 & W	43754	Ersatz Halter Set LunAqua Power LED W	Spare retainer set LunAqua Power LED W
4	LunAqua Power Set 1 – 3 & W	20284	Erdspeiß	Spike
5	LunAqua Power Set 1 – 3 & W	11710	Dichtung DMX	Gasket DMX
6	LunAqua Power Set 1 – 3 & W	43867	Ersatz Set BG Blindkappe	Spare set ASM gland seal
7	LunAqua Power Set 1 – 3 & W	43043	Ersatz LunAqua Power LED Driver	Spare LunAqua Power LED driver
8	LunAqua Power Set 1 – 3 & W	42636	LunAqua Power LED Kabel 10 m	LunAqua Power LED cable 10 m
9	LunAqua Power Set 1 – 3 & W	21768	BG Distanzstück Kabelverbindung 2013	ASM distance piece cable connection 2013

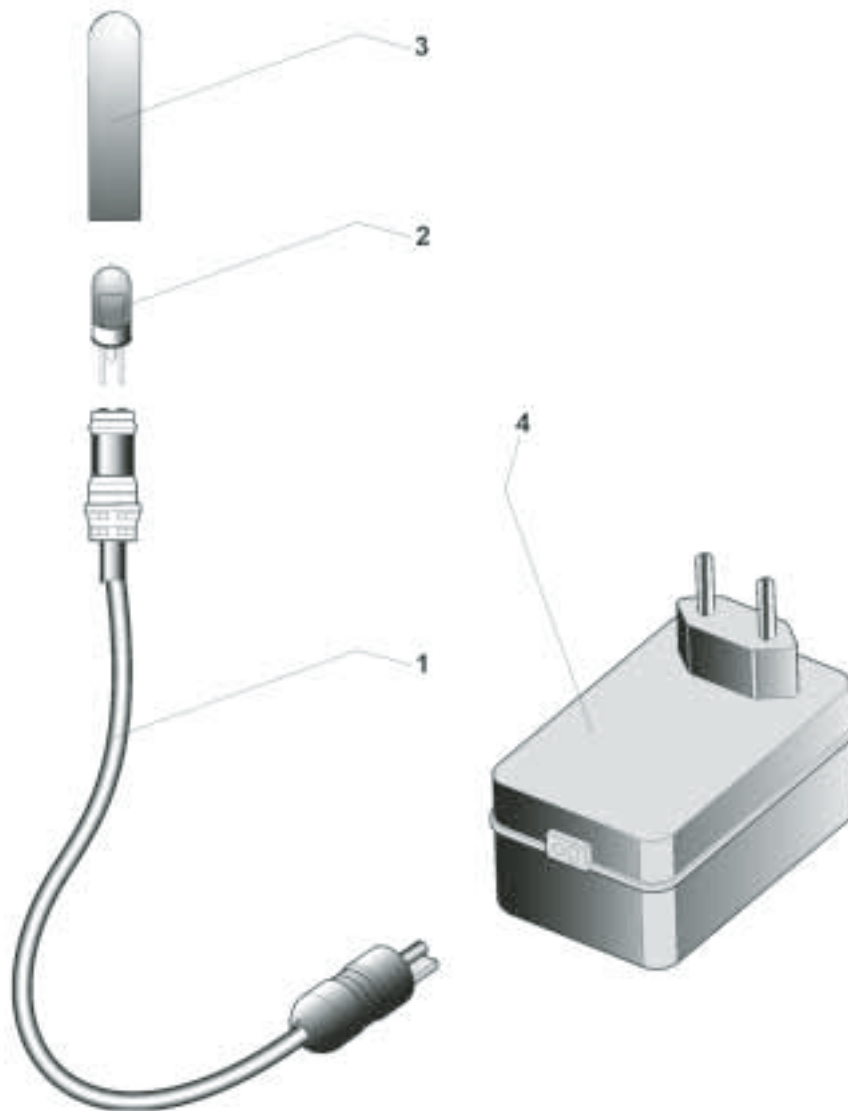


Produkt / Product  
40290 LunAqua Eco Micro Set



Pos.	Produkt / Product	Artikelnr. / Item no.	Ersatzteil	Spare part
1	LunAqua Eco Micro Set	14363	Schutzglas D12 x 60,5 LunAqua Micro	Protective glass D12 x 60.5 LunAqua Micro
2	LunAqua Eco Micro Set	37817	Halogenlampe G4 12 V 7 W	Halogen bulb 5 W
3	LunAqua Eco Micro Set	40415	Kabel G4+P / L2 x 0,75 H03 2 m 7 W BG	Cable G4+P / L2 x 0.75 H03 2 m 7 W ASM
4	LunAqua Eco Micro Set	15560	Sicherheitstrafo 230 V / 12 V / 20 VA	Safety transformer 230 V / 12 V / 20 VA

Produkt / Product  
50593 LunAqua Micro Set

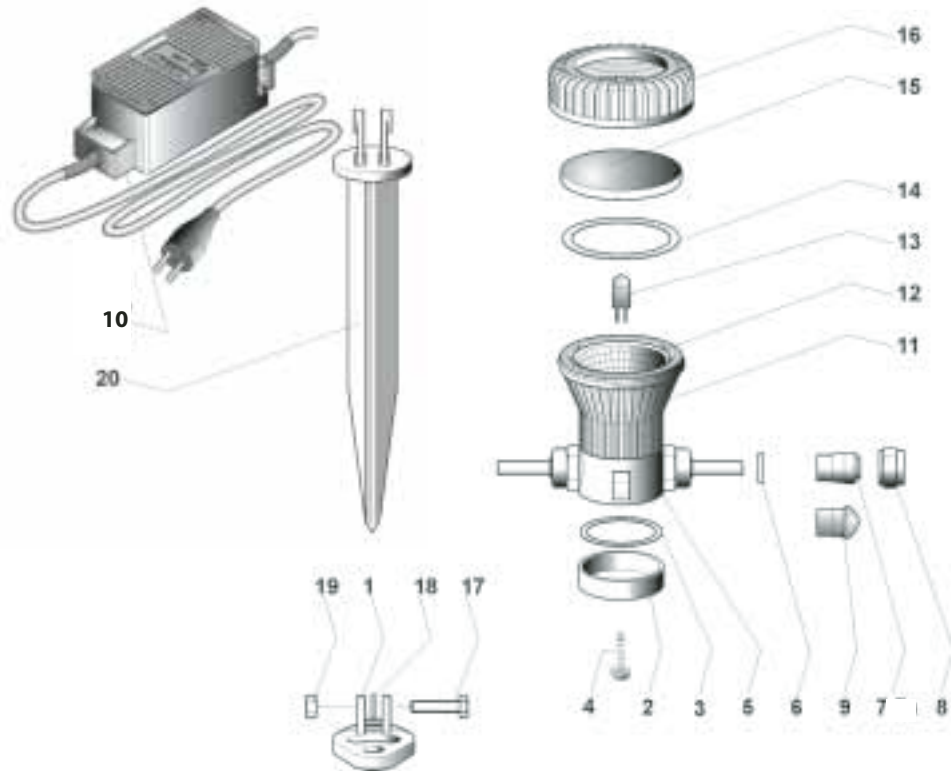


Pos.	Produkt / Product	Artikelnr. / Item no.	Ersatzteil	Spare part
1	LunAqua Micro	40415	Kabel G4+P / L2 x 0,75 H03 2 m 7 W BG	Cable G4+P / L2 x 0.75 H03 2 m 7 W ASM
2	LunAqua Micro	52662	Halogen Leuchtmittel 5 W	Halogen bulb 5 W
3	LunAqua Micro	14363	Schutzglas D12 x 60,5 LunAqua Micro	Protective glass D12 x 60.5 LunAqua Micro
4	LunAqua Micro	15560	Sicherheitstrafo 230 V / 12 V / 20 VA	Safety transformer 230 V / 12 V / 20 VA

Produkt / Product

54993 LunAqua 2 / 12 V

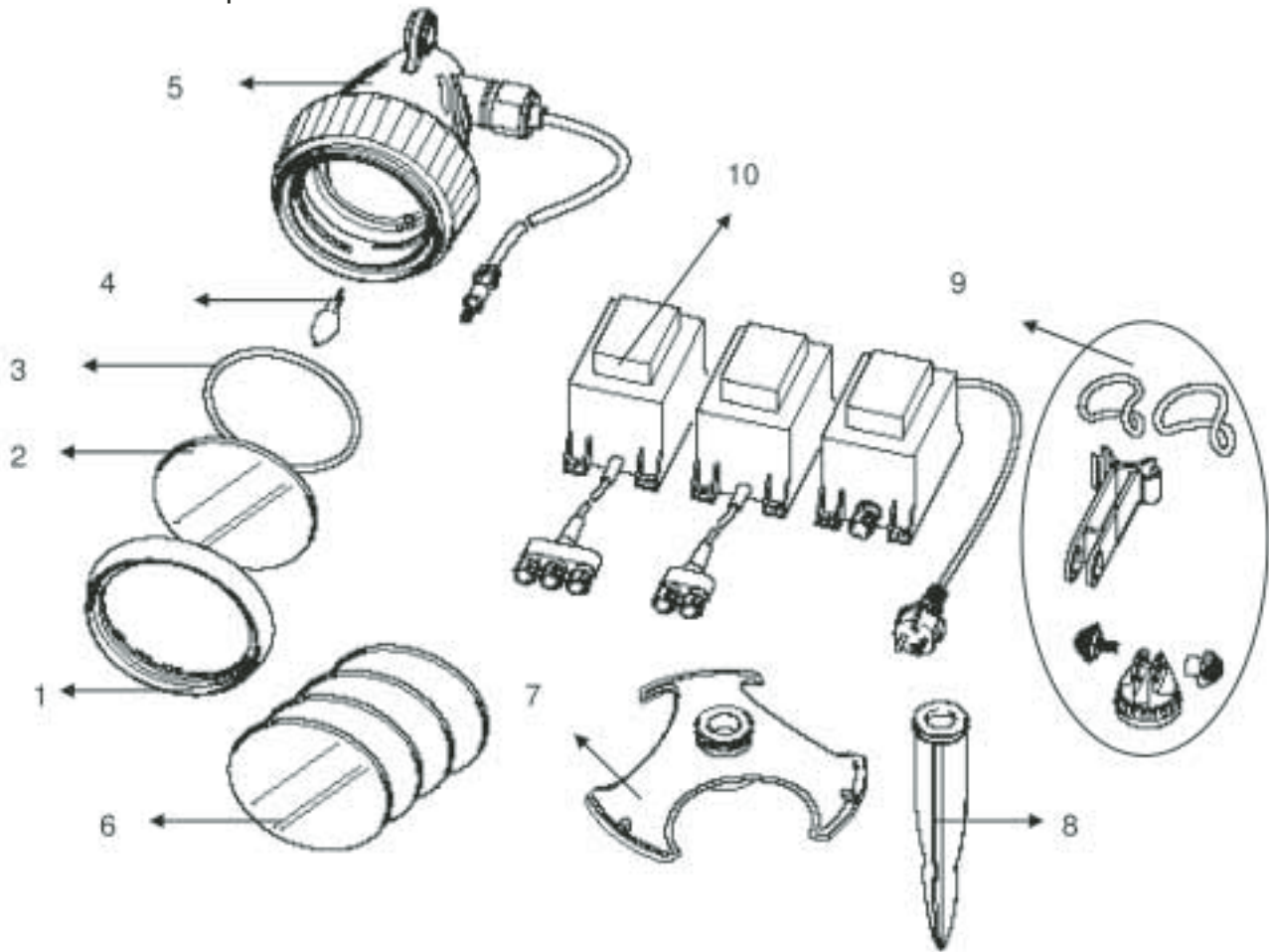
52038 LunAqua 2 Set 1



Pos.	Produkt / Product	Artikelnr. / Item no.	Ersatzteil	Spare part
1	LunAqua 2 – Set 1	34788	Klemmhalter LunAqua 2 + 3	Clamp holder LunAqua 2 + 3
2	LunAqua 2 – Set 1	11601	Deckel LunAqua 2	Cover LunAqua 2
3	LunAqua 2 – Set 1	11606	Flachdichtung Deckel LunAqua 2	Flat gasket cover LunAqua 2
4	LunAqua 2 – Set 1	11631	TP-Schraube 1411 KA 50-14	TP-screw 1411 KA 50-14
5	LunAqua 2 – Set 1	12764	Vormontage LunAqua 2	Pre-assembly LunAqua 2
6	LunAqua 2 – Set 1	2 x 11162	O-Ring NBR 28 x 2,5 SH70	O-Ring NBR 28 x 2.5 SH70
7	LunAqua 2 / 12 V	11674	Kabeldichtung PG 11 (H07) LunAqua 2 / 4	Cable seal PG 11 (H07) LunAqua 2 / 4
	LunAqua 2 / 12 V	11587	Kabeldichtung PG 11 (H05) LunAqua 2	Cable seal PG 11 (H05) LunAqua 2
	LunAqua 2 Set 1	11587	Kabeldichtung PG 11 (H05) LunAqua 2	Cable seal PG 11 (H05) LunAqua 2
	LunAqua 2 Set 1	11674	Kabeldichtung PG 11 (H07) LunAqua 2 / 4	Cable seal PG 11 (H07) LunAqua 2 / 4
8	LunAqua 2 – Set 1	2 x 11586	Überwurfmutter PG 11 LunAqua 2	Coupling nut PG 11 LunAqua 2
9	LunAqua 2 – Set 1	11632	Blindstopfen PG 11 LunAqua 2	Rubber plug PG 11 LunAqua 2
10	LunAqua 2 Set 1	11590	Trafo 20 VA LunAqua 2 / Set 1	Transformer 20 VA LunAqua 2 / set 1
11	LunAqua 2 – Set 1	11610	Gehäuse LunAqua 2	Housing LunAqua 2
12	LunAqua 2 – Set 1	11644	Reflektor LunAqua 2	Reflector LunAqua 2
13	LunAqua 2 – Set 1	70703	Halogen Leuchtmittel 20 W	Halogen bulb 20 W
14	LunAqua 2 – Set 1	11607	Flachdichtung Oberteil LunAqua 2	Flat gasket upper part LunAqua 2
15	LunAqua 2 – Set 1	17831	Abdeckglas LunAqua 2 D59	Lens LunAqua 2 clear glass D59
16	LunAqua 2 – Set 1	11608	Oberteil LunAqua 2	Top LunAqua 2
17	LunAqua 2 – Set 1	5909	Sechskantschraube V2A DIN 933 6 x 30	Hexagon bolt V2A DIN 933 6 x 30
18	LunAqua 2 – Set 1	6135	Unterlegscheibe 1.4301 DIN 125 6,4	Washer 1.4301 DIN 125 6.4
19	LunAqua 2 – Set 1	6105	Sechskantmutter V2A DIN 934 M6	Hexagon nut V2A DIN 934 M6
20	LunAqua 2 – Set 1	20284	Erdspieß	Spike

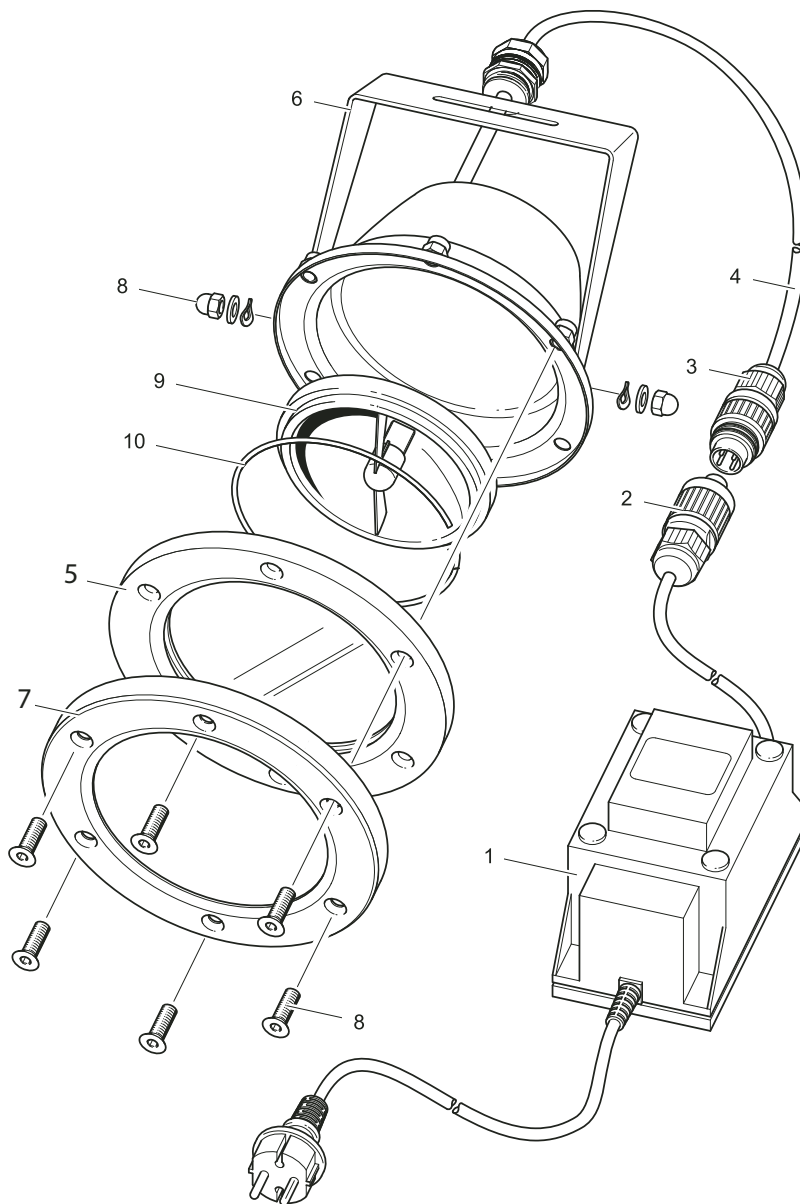
Produkt / Product

- 57141 LunAqua 3 Solo
- 56903 LunAqua 3 Set 1
- 56904 LunAqua 3 Set 2
- 56905 LunAqua 3 Set 3



Pos.	Produkt / Product	Artikelnr. / Item no.	Ersatzteil	Spare part
1	LunAqua 3 Set 1 – 3	27073	Überwurfmutter LunAqua 3 / Classic LED	Coupling nut LunAqua 3 / Classic LED
2	LunAqua 3 Set 1 – 3	27259	Glasscheibe klar LunAqua 3	Lens clear LunAqua 3
3	LunAqua 3 Set 1 – 3	27267	O-Ring SI 61 x 2 SH70 A schwarz	O-Ring SI 61 x 2 SH70 A black
4	LunAqua 3 Set 1 – 3	70703	Halogen Leuchtmittel 20 W	Halogen bulb 20 W
5	LunAqua 3 Set 1	35850	BG Scheinwerfer LunAqua 3	ASM spotlight LunAqua 3
	LunAqua 3 Set 2	35850	BG Scheinwerfer LunAqua 3	ASM spotlight LunAqua 3
	LunAqua 3 Set 3	35850	BG Scheinwerfer LunAqua 3	ASM spotlight LunAqua 3
6	LunAqua 3 Set 1 – 3	27565	Farbscheiben-Set LunAqua 3 / Solar	Colour lens set LunAqua 3 / Solar
	LunAqua 3 Set 1	35387	BG Standfuß LunAqua 3	ASM base LunAqua 3
7	LunAqua 3 Set 2	35387	BG Standfuß LunAqua 3	ASM base LunAqua 3
	LunAqua 3 Set 3	35387	BG Standfuß LunAqua 3	ASM base LunAqua 3
8	LunAqua 3 Set 1 – 3	20284	Erdspieß	Spike
9	LunAqua 3 Set 1	27566	Ersatz Düsenhalterung + Laschen LunAqua3	Spare nozzle holder LunAqua 3
	LunAqua 3 Set 2	27566	Ersatz Düsenhalterung + Laschen LunAqua3	Spare nozzle holder LunAqua 3
	LunAqua 3 Set 3	27566	Ersatz Düsenhalterung + Laschen LunAqua3	Spare nozzle holder LunAqua 3
10	LunAqua 3 Set 1	27067	Trafo 20VA 2 m H05RN-F 2 x 0,75 mm <sup>2</sup>	Transformer 20VA 2m H05RN-F 2 x 0.75 mm <sup>2</sup>
	LunAqua 3 Set 2	27068	Trafo 45VA 2 m H05RN-F 2 x 0,75 mm <sup>2</sup>	Transformer 45VA 2m H05RN-F 2 x 0.75 mm <sup>2</sup>
	LunAqua 3 Set 3	27069	Trafo 60VA 2 m H05RN-F 2 x 0,75 mm <sup>2</sup>	Transformer 60VA 2m H05RN-F 2 x 0.75 mm <sup>2</sup>

Produkt / Product  
56898 ProfiLux 100 E

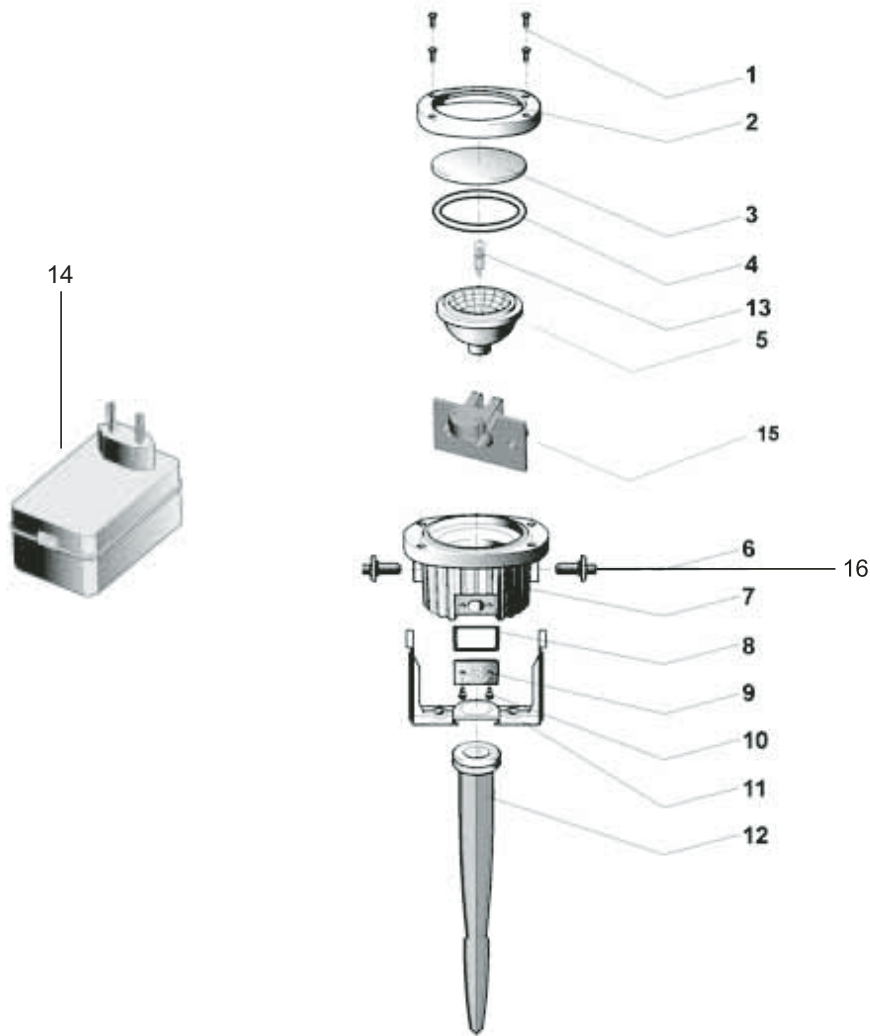


Pos.	Produkt / Product	Artikelnr. / Item no.	Ersatzteil	Spare part
1	ProfiLux 100 E	35418	BG Trafo ProfiLux 100 E	ASM transformer ProfiLux 100 E
2	ProfiLux 100 E	26930	Leitungskupplung Solar / ProfiLux	Cable coupler Solar / ProfiLux
3	ProfiLux 100 E	26922	Leitungsstecker Solar / ProfiLux	Cordplug Solar / ProfiLux
4	ProfiLux 100 E	26996	Anschlussltg. ProfiLux H07RN-F 2 x 2,5 mm²	Cable ProfiLux H07RN-F 2 x 2.5 mm²
5	ProfiLux 100 E	27581	BG Dichtung + Scheibe ProfiLux 100	ASM gasket + disc ProfiLux 100
6	ProfiLux 100 E	34572	Halter VA LunAqua 10 / ProfiLux	Holder VA LunAqua 10 / ProfiLux
7	ProfiLux 100 E	27582	Scheinwerferring ProfiLux 100 E	Cover ring ProfiLux 100 E
8	ProfiLux 100 E	27580	Ersatz-Set Schrauben ProfiLux 100	Spare part screws ProfiLux 100
9	ProfiLux 100 E	52943	Halogen-Reflektorlampe 100 W, 24°, weiß	Halogen reflector bulb 100 W, 24°, white
10	ProfiLux 100 E	27583	Klemmring ProfiLux 100	Clamp ring ProfiLux 100

Produkt / Product

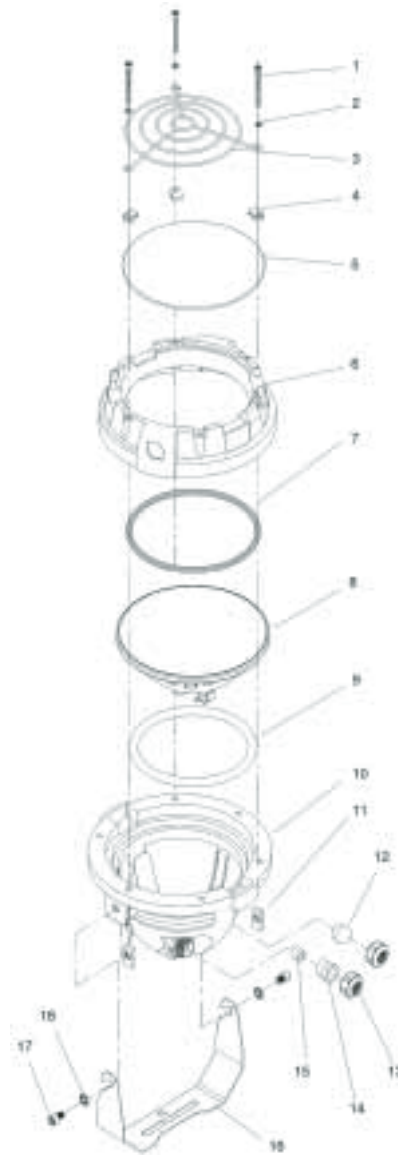
54034 LunAqua 10

54314 LunAqua 35 Set



Pos.	Produkt / Product	Artikelnr. / Item no.	Ersatzteil	Spare part
1	LunAqua 10 – Set 35	4 x 6054	Linsenschraube H-V2A DIN 7985 5 x 16	Oval head screw H-V2A DIN 7985 5 x 16
2	LunAqua 10 – Set 35	20280	Oberteil LunAqua 10, 12 V	Top LunAqua 10, 12 V
3	LunAqua 10 – Set 35	20685	Lampenglas LunAqua 10	Lens LunAqua 10
4	LunAqua 10 – Set 35	17084	O-Ring SI 114,2 x 5,7 SH70	O-Ring SI 114.2 x 5.7 SH70
5	LunAqua 10 – Set 35	20686	Reflektor LunAqua 10	Reflector LunAqua 10
6	LunAqua 10 – Set 35	2 x 20283	Klemmschraube LunAqua 10	Clamp screw LunAqua 10
7	LunAqua 10 – Set 35	13162	Unterteil LunAqua 10 LED, 12 V	Base LunAqua 10 LED, 12 V
8	LunAqua 10 – Set 35	20682	Flachdichtung 47 x 24 x 0,5 SH70	Flat gasket 47 x 24 x 0.5 SH70
9	LunAqua 10 – Set 35	10889	Blindkappe JumpingJet Rainbow Star	Gland seal JumpingJet Rainbow Star
10	LunAqua 10 – Set 35	2 x 6056	Linsenschraube V2A DIN 7985 5 x 22	Oval head screw V2A DIN 7985 5 x 22
11	LunAqua 10 – Set 35	20282	Schwenkbügel LunAqua 10, 12 V	Swivel bracket LunAqua 10, 12 V
12	LunAqua 10 – Set 35	20284	Erdspieß	Spike
13	LunAqua 10	54036	Halogen Leuchtmittel 50 W	Halogen bulb 50 W
	LunAqua 35 Set	54035	Halogen Leuchtmittel 35 W	Halogen bulb 35 W
14	LunAqua 35 Set	20977	Trafo LunAqua 35	Transformer LunAqua 35
15	LunAqua 10 – Set 35	34408	Ersatz Fassung LunAqua 10 kpl.	Spare lamp holder LunAqua 10 cpl.
16	LunAqua 10 – Set 35	2 x 20962	Mutter LunAqua 10	Nut LunAqua 10

Produkt / Product  
57288 UWS K 300

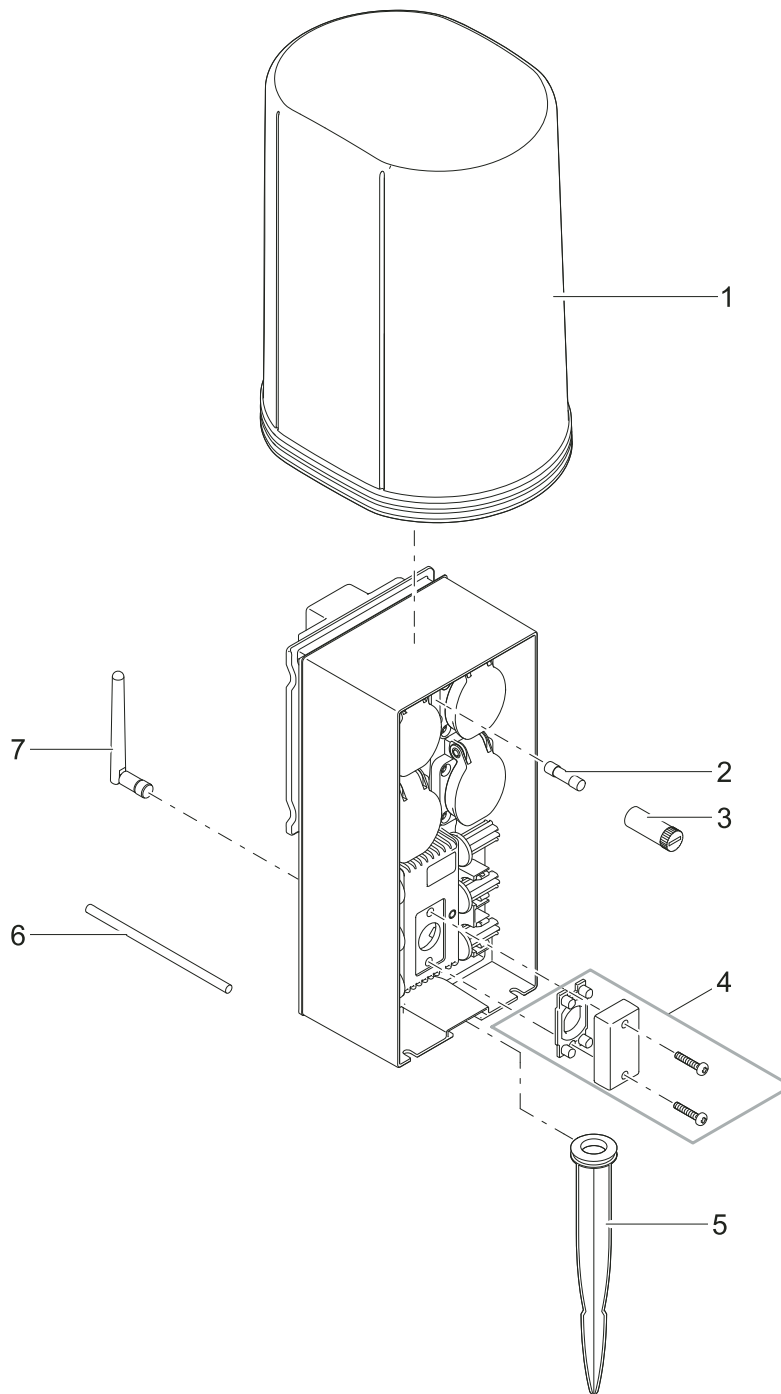


Pos.	Produkt / Product	Artikelnr. / Item no.	Ersatzteil	Spare part
1	UWS K 300	28783	Linsenschraube VA DIN 7985 M5 x 55	Oval head screw VA DIN 7985 M5 x 55
2	UWS K 300	6134	Unterlegscheibe V2A DIN 125 5,3	Washer V2A DIN 125 5.3
3	UWS K 300	28686	Schutzgitter UWS K 300	Protective grating UWS K 300
4	UWS K 300	28616	Halteelement UWS K 300 / 500	Fixer UWS K 300 / 500
6	UWS K 300	28608	Oberteil UWS K 300 / 500	Top UWS K 300 / 500
7	UWS K 300	29010	O-Ring SI 160 x 7 SH70	O-Ring SI 160 x 7 SH70
8	UWS K 300	51981	Reflektorlampe UWS K300 220 V, 300 W, 12-8°	Reflector bulb UWS K 300 220 V, 300 W, 12-8°
	UWS K 300	51982	Reflektorlampe UWS K300 220 V, 300 W, 40-16°	Reflector bulb UWS K300 220 V, 300 W, 40-16°
9	UWS K 300	28683	O-Ring SI 145 x 10 SH45	O-Ring SI 145 x 10 SH45
10	UWS K 300	35599	BG Gehäuse UWS K 300 / 500	ASM housing part UWS-K 300 / 500
11	UWS K 300	29011	Klemmblech M8	Clamp plate M8
12	UWS K 300	28684	Dichtstopfen	Plug
13	UWS K 300	28678	Überwurfmutter außen PG 16	Coupling nut outside PG 16
14	UWS K 300	28681	Kabdichtung außen	Cable seal outside
15	UWS K 300	28682	Kabdichtung innen	Cable seal inside
16	UWS K 300	28685	Haltebügel UWS K 300	Retaining bracket UWS K 300
17	UWS K 300	5958	Zylinderschraube V2A DIN 912 8 x 16	Cylinder screw V2A DIN 912 8 x 16
18	UWS K 300	6129	Sicherungsmutter V2A DIN 985 M8	Lock nut V2A DIN 985 M8

Produkt / Product

40243 InScenio FM-Master WLAN

40244 InScenio FM-Master WLAN (GB)

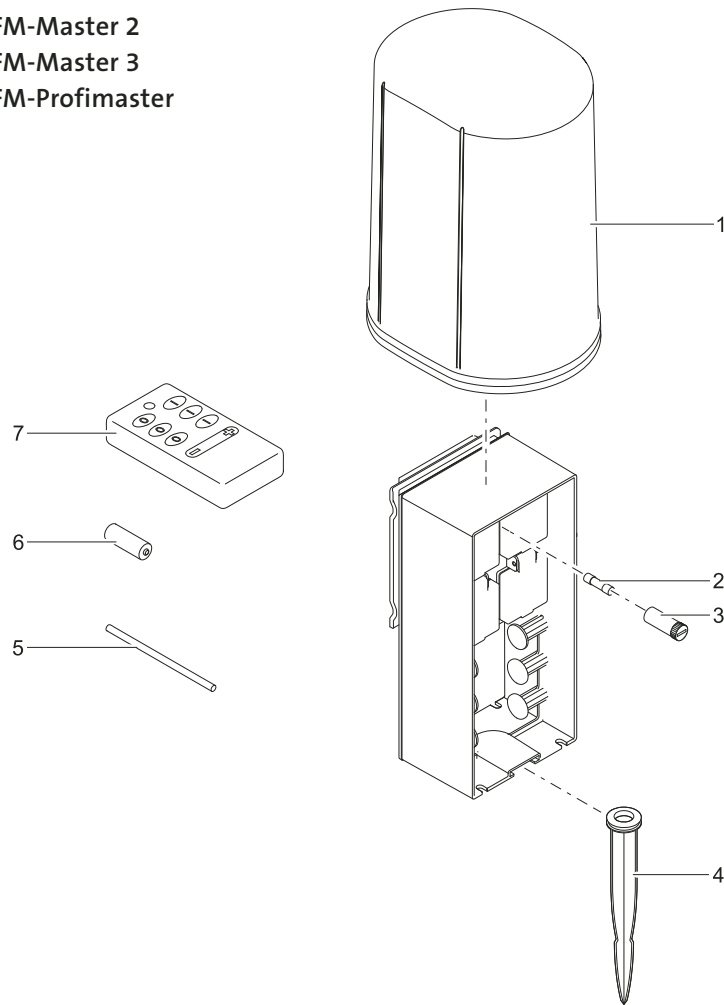


Pos.	Produkt / Product	Artikelnr. / Item no.	Ersatzteil	Spare part
1	InScenio FM-Master WLAN	33371	Haube FM-Master	Cover FM-Master
2	InScenio FM-Master WLAN	42292	Feinsicherung Träge mit Löschmittel 1,6 A	Fuse delay with extinguishing agent 1,6 A
3	InScenio FM-Master WLAN	27645	Ersatz Feinsicherungshalter FM-Master 3	Spare fuse holder FM-Master 3
4	InScenio FM-Master WLAN	40509	BG Blindkappe mit Dichtungsset	ASM gland seal with gasket set
5	InScenio FM-Master WLAN	20284	Erdspieß	Spike
6	InScenio FM-Master WLAN	14496	Einlernstift FM-Master	Teach-in pin FM-Master
7	InScenio FM-Master WLAN	40284	WLAN-Antenne FM-Master	WLAN-antenna FM-Master



Produkt / Product

- 55433 InScenio 230
- 54978 InScenio FM-Master 1
- 36310 InScenio FM-Master 2
- 36311 InScenio FM-Master 3
- 56886 InScenio FM-Profimaster

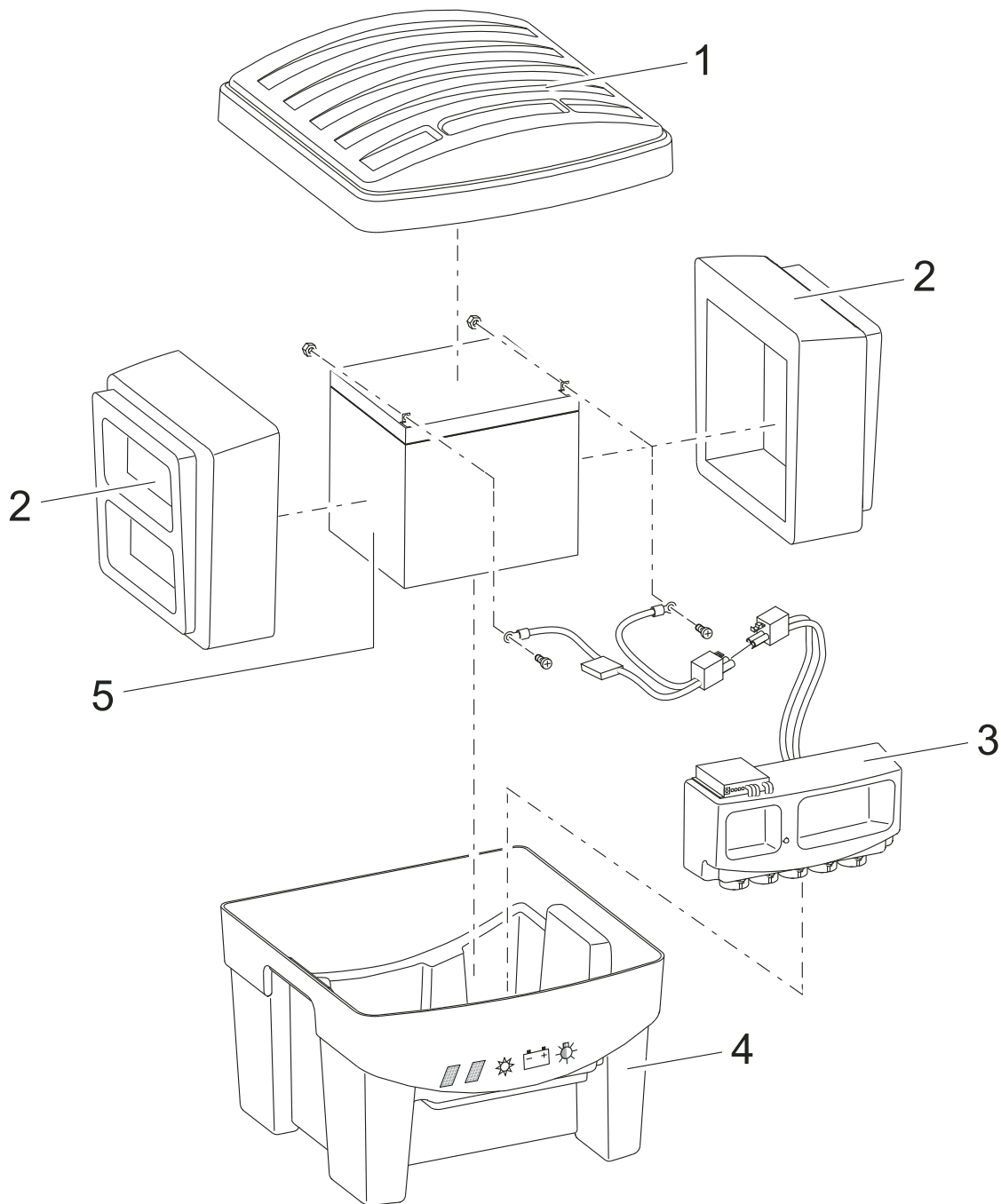


Pos.	Produkt / Product	Artikelnr. / Item no.	Ersatzteil	Spare part
1	InScenio FM-Master	33371	Haube FM-Master	Cover FM-Master
2	InScenio FM-Master 3	14368	G-Feinsicherung träge 2,0 A	Fuse T 2.0 A
	InScenio FM-Profimaster	14368	G-Feinsicherung träge 2,0 A	Fuse T 2.0 A
3	InScenio FM-Master 3	27645	Ersatz Feinsicherungshalter FM-Master 3	Spare fuse holder FM-Master 3
	InScenio FM-Profimaster	27645	Ersatz Feinsicherungshalter FM-Master 3	Spare fuse holder FM-Master 3
4	InScenio FM-Master	20284	Erdspieß	Spike
5	InScenio FM-Master 1	14496	Einlernstift FM-Master	Teach-in pin FM-Master
	InScenio FM-Master 2	14496	Einlernstift FM-Master	Teach-in pin FM-Master
	InScenio FM-Master 3	14496	Einlernstift FM-Master	Teach-in pin FM-Master
	InScenio FM-Profimaster	14496	Einlernstift FM-Master	Teach-in pin FM-Master
6	InScenio FM-Master 1	23263	Batterie GP23A	Battery GP23A
	InScenio FM-Master 2	23263	Batterie GP23A	Battery GP23A
	InScenio FM-Master 3	23263	Batterie GP23A	Battery GP23A
	InScenio FM-Profimaster	23263	Batterie GP23A	Battery GP23A
7	InScenio FM-Master 1	22653	Handsender FM-Master	Remote control FM-Master
	InScenio FM-Master 2	22653	Handsender FM-Master	Remote control FM-Master
	InScenio FM-Master 3	22653	Handsender FM-Master	Remote control FM-Master
	InScenio FM-Profimaster	22653	Handsender FM-Master	Remote control FM-Master

Produkt / Product

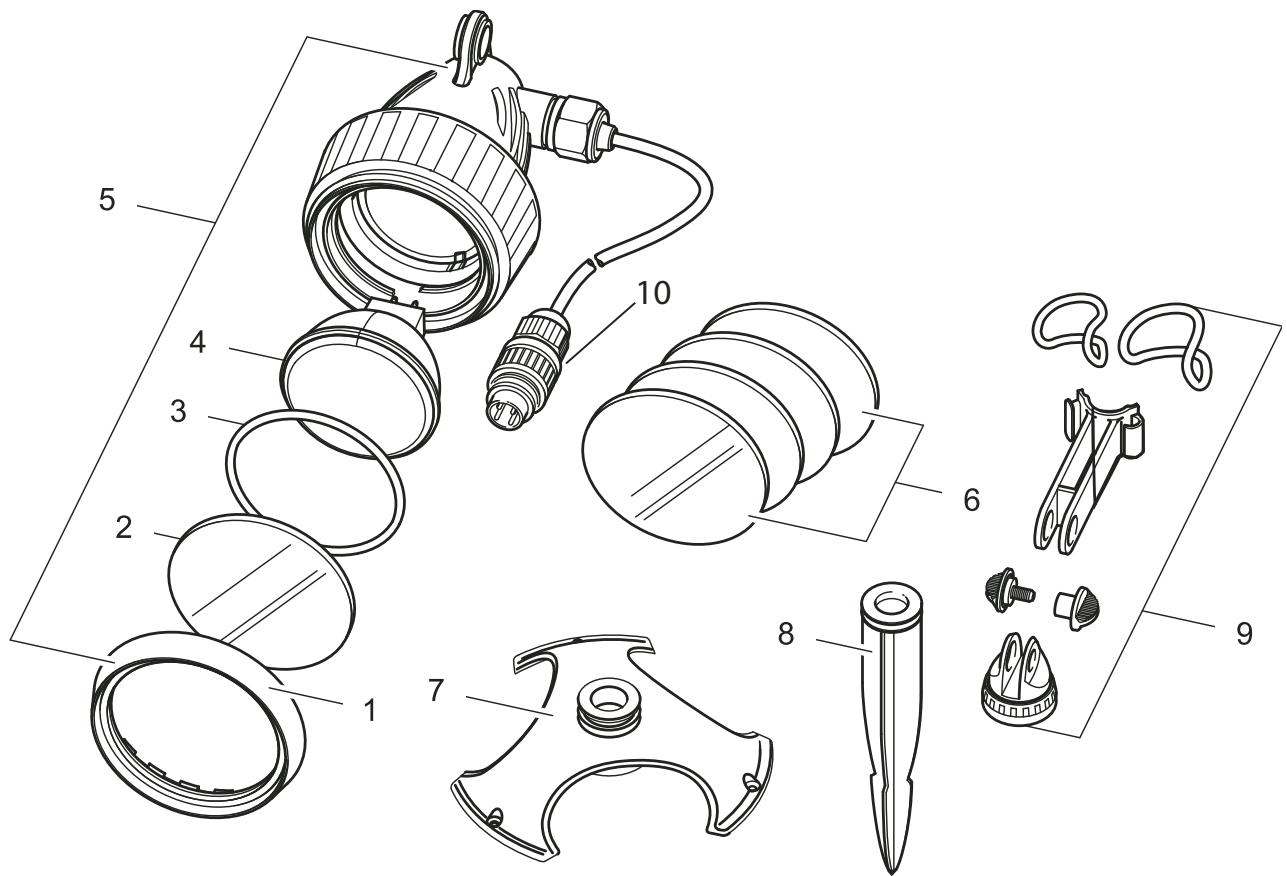
56895 SolarSafe 17

56896 SolarSafe 41



Pos.	Produkt / Product	Artikelnr. / Item no.	Ersatzteil	Spare part
1	SolarSafe 17 – 41	26915	Deckel SolarSafe 17 / 41	Cover SolarSafe 17 / 41
2	SolarSafe 17	27193	Akkuaufnahme SolarSafe 17	Battery holder SolarSafe 17
	SolarSafe 41	26962	Akkuaufnahme SolarSafe 41	Battery Holder SolarSafe 41
3	SolarSafe 17 – 41	35373	BG Elektronik Box SolarSafe	ASM Electrical box SolarSafe
4	SolarSafe 17 – 41	26914	Behälter SolarSafe 17 / 41	Filter box SolarSafe 17 / 41
5	SolarSafe 41	27187	Solar Akku 12 V / 42 Ah	Solar battery 12 V / 42 Ah

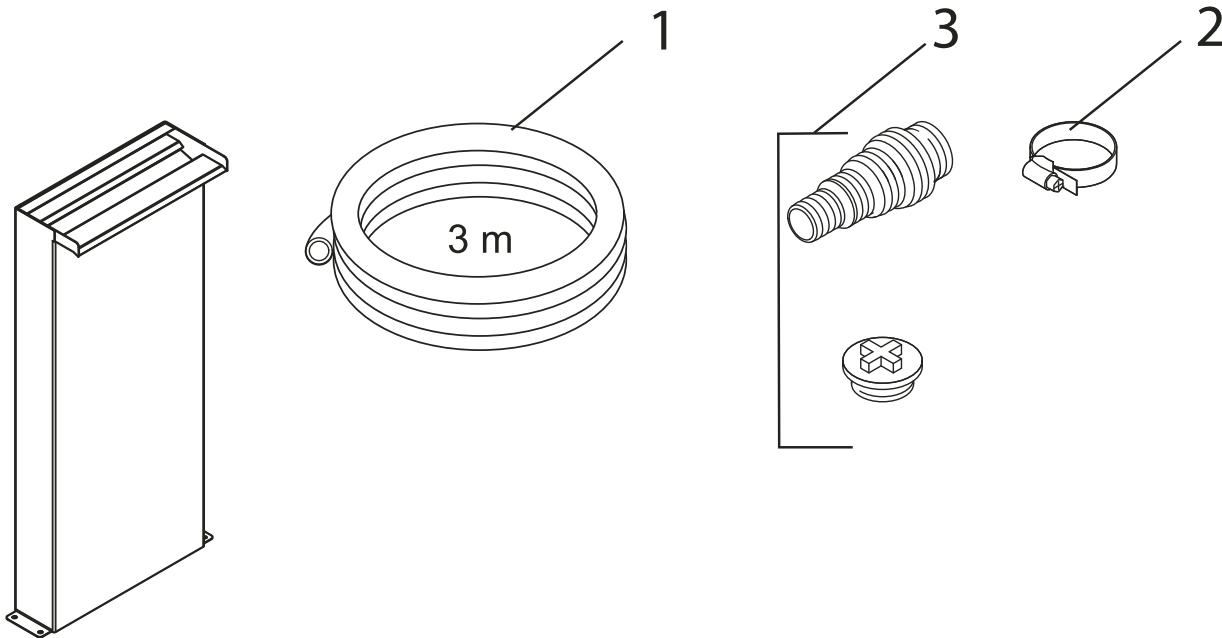
Produkt / Product  
56894 LunAqua Solar



Pos.	Produkt / Product	Artikelnr. / Item no.	Ersatzteil	Spare part
1	LunAqua Solar	27073	Überwurfmutter LunAqua 3 / Classic LED	Coupling nut LunAqua 3 / Classic LED
2	LunAqua Solar	27259	Glasscheibe klar LunAqua 3	Lens clear LunAqua 3
3	LunAqua Solar	27267	O-Ring SI 61 x 2 SH70 A schwarz	O-Ring SI 61 x 2 SH70 A black
4	LunAqua Solar	42652	Leuchtmittel LED MR-16 12 V / 1 W GU5,3 SMD	Lamp LED MR-16 12 V / 1 W GU5.3 SMD
5	LunAqua Solar	35391	BG Scheinwerfer LunAqua 3 Solar	ASM spotlight LunAqua 3 Solar
6	LunAqua Solar	27565	Farbscheiben-Set LunAqua 3 / Solar	Colour lens set LunAqua 3 / Solar
7	LunAqua Solar	35387	BG Standfuß LunAqua 3	ASM base LunAqua 3
8	LunAqua Solar	20284	Erdspeiß	Spike
9	LunAqua Solar	27566	Ersatz Düsenhalterung + Laschen LunAqua3	Spare Lamp holder LunAqua 3
10	LunAqua Solar	26931	Einbaustecker Solar	Build-in plug Solar

Produkt / Product

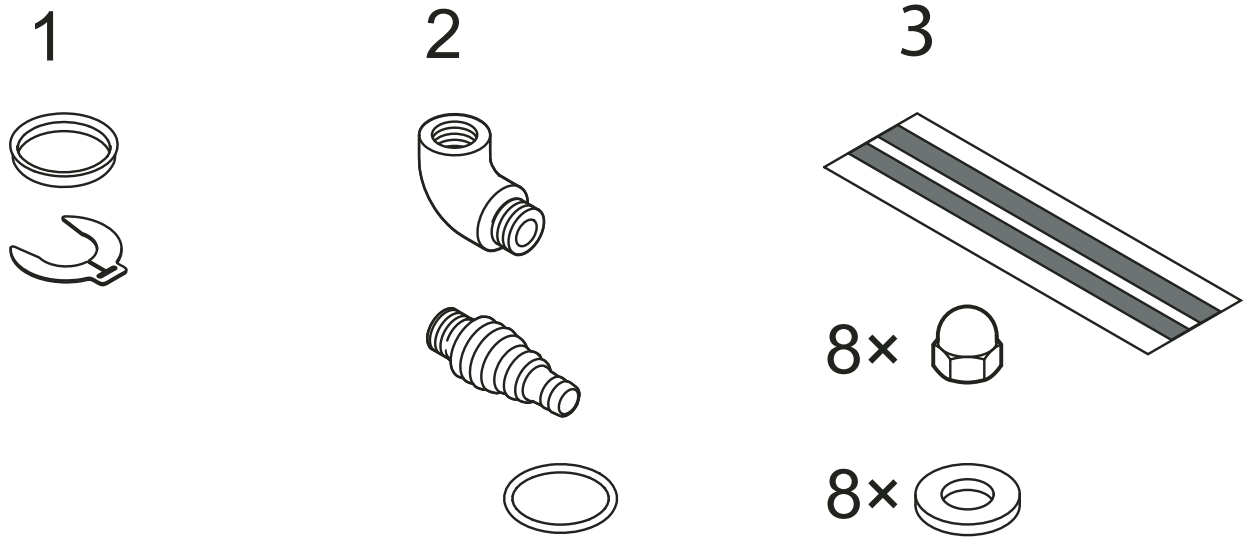
- 50704 Waterfall 30
- 50585 Waterfall 60
- 50706 Waterfall 90
- 50584 Waterfall Set 30
- 51163 Waterfall Set 60 Solo



Pos.	Produkt / Product	Artikelnr. / Item no.	Ersatzteil	Spare part
1	Waterfall Set 30	10714	Ablaufschlauch ¼" Zuschnitt 3 m	Outlet hose cut ¼" x 3 m
	Waterfall 60	11818	Schlauchselle 20 – 32 mm	Hose clamp 20 – 32 mm
2	Waterfall Set 30	11818	Schlauchselle 20 – 32 mm	Hose clamp 20 – 32 mm
	Waterfall Set 60 Solo	11818	Schlauchselle 20 – 32 mm	Hose clamp 20 – 32 mm
3	Waterfall 30	15737	Ersatzteil-Set Waterfall	Spare part set Waterfall
	Waterfall 60	15737	Ersatzteil-Set Waterfall	Spare part set Waterfall
	Waterfall 90	16757	Ersatzteil-Set Waterfall 90	Spare part set Waterfall 90
	Waterfall Set 30	15737	Ersatzteil-Set Waterfall	Spare part set Waterfall
	Waterfall Set 60 Solo	15737	Ersatzteil-Set Waterfall	Spare part set Waterfall

Produkt / Product

- 50800 Edelstahl-Bachlaufschale Start / End
- 50781 Edelstahl-Bachlaufschale Gerade
- 50809 Edelstahl-Bachlaufschale Leuchtelement
- 50798 Edelstahl-Bachlaufschale 90° Ecke
- 50801 Edelstahl-Bachlaufschale Verbindung



Pos.	Produkt / Product	Artikelnr. / Item no.	Ersatzteil	Spare part
1	Edelstahl-Bachlaufschalen	18306	Beipack Edelstahl-Bachl. Leuchtelement	Additional pack watercourse illumination
2	Edelstahl-Bachlaufschalen	18311	Beipack Edelstahl-Bachl. Start/End	Additional pack watercourse start/end
3	Edelstahl-Bachlaufschalen	18671	Ersatzteil-Set Verbindungselement	Spare part set connection element

Sehr geehrte OASE Handelspartner,

OASE bevorrät Ersatzteile grundsätzlich mindestens 5 Jahre, in einzelnen Fällen bis zu 8 Jahre ab dem letzten Produktionsdatum.

Sofern aus wirtschaftlichen und / oder produktionstechnischen Gründen keine Ersatzteil-lieferung innerhalb der oben genannten fünf Jahre möglich ist, bietet OASE ein gleichwertiges Produkt oder nach eigener Wahl ein Nachfolgemodell als Produkt unentgeltlich an.

*Sofern eine Reparatur an der Elektrik eines OASE-Gerätes notwendig sein sollte, können Sie dieses auf eigene Kosten und Gefahr zur Instandsetzung gerne an uns senden. In Gewährleistung und / oder Garantiefällen erfolgt die Reparatur kostenfrei, wir entscheiden darum ob wir reparieren oder ein gleichwertiges Teil nachliefern.*

*Autorisierte Firmen können unter Einhaltung der entsprechenden Richtlinien des VDE derartige Reparaturen auch selbst durchführen. Sollten Sie in diesem Zusammenhang sicherheitsrelevante Ersatzteile benötigen, können Sie diese mit diesem Formular per Fax bei uns anfragen!*

FAX-BESTELLUNG: 0 54 54 / 80 92 69 AN DIE OASE GMBH

# REPARATUR VON ELEKTRISCHEN GERÄTEN

**ABSENDER:**

KUNDEN-NR. \_\_\_\_\_ ANSCHRIFT \_\_\_\_\_

FIRMA \_\_\_\_\_

NAME \_\_\_\_\_

TELEFON \_\_\_\_\_ PLZ / ORT \_\_\_\_\_

FAX \_\_\_\_\_ E-MAIL \_\_\_\_\_

ORT, DATUM \_\_\_\_\_ UNTERSCHRIFT \_\_\_\_\_

Hiermit versichere ich, dass die Wartung/Reparatur an der OASE-Tauchmotorpumpe oder einem anderem elektrischen Gerät, Typ ... ordnungsgemäß und fachmännisch auch unter Berücksichtigung der vorgeschriebenen Sicherheitsprüfungen nach VDE 0700 T1, T41 und VDE 0701 T 1 und T200 durchgeführt werden.

Mir ist bekannt, dass entsprechend der Gebrauchsanleitung der Firma OASE eine Haftung des Herstellers für Schäden, die in Folge unsachgemäßer Bedienung oder Reparatur, wegen mangelhafter Wartung oder normaler Abnutzung (Verschleißteile) entstanden sind, ausgeschlossen sind.

Insbesondere sind nachfolgende Anforderungen nach VDE 0700 T41 Abs. 13, 15, 16 und 27 zu berücksichtigen

**AUSZUG AUS DER VORSCHRIFT:**

- Hochspannungsprüfung: 1250 Volt 1. Min.
- Schutzleiterprüfung: 25 Amp 2 Sek.
- Funktionsprüfung: 220 V/50 Hz 5 Sek.
- alternativ 380 V/50 Hz 5 Sek.
- Ableitstromprüfung: <0,75 mA 5 Sek.
- sowie
- Druckwasserdichtigkeitsprüfung an der getaucheten Gesamtpumpe

Elektrisches Gerät: \_\_\_\_\_

Benötigte Ersatzteile: \_\_\_\_\_

\_\_\_\_\_  
 \_\_\_\_\_  
 \_\_\_\_\_  
 \_\_\_\_\_

Dear OASE trade partner,

OASE always stocks spare parts for at least 5 years, in some cases up to 8 years from the last production date.

If for economic and/or technical reasons, spare parts delivery within the five years cited above is not possible, OASE offers an equivalent product or at OASE's discretion a successor model as product, free of charge.

*If repair of the electrical components of an OASE device should be necessary, you can send this device to us for repair, at your own expense and risk. In warranty or guarantee cases the repair is free of charge, therefore we decide whether we repair or send an equivalent part.*

*Authorised companies can also execute these types of repairs themselves, in compliance with the appropriate VDE guidelines. In this situation should you require safety-relevant spare parts, you can request these parts from us per fax with this form!*

FAX PURCHASE ORDER: +49 54 54 / 80 92 69 To OASE GMBH

## REPAIR OF ELECTRICAL DEVICES

**SENDER:**

CUSTOMER NO. _____	ADDRESS _____
COMPANY _____	_____
NAME _____	_____
TELEPHONE _____	POSTAL CODE /CITY _____
FAX _____	E-MAIL _____
CITY, DATE _____	SIGNATURE _____

I hereby assure that the maintenance/repair on the OASE immersion motor pump or a different electrical device, type ... will be properly and expertly executed, also with due consideration of the prescribed safety tests in accordance with VDE 0700 T1, T41 and VDE 0701 T 1 and T200.

I am aware that in accordance with the instructions for use specified by OASE, liability on the part of the manufacturer for damage that occurs due to improper operation or repair, or due to inadequate maintenance or normal wear (wearing parts), is excluded.

In particular the following requirements in accordance with VDE 0700 T41 paragraph 13, 15, 16 and 27 must be considered.

**EXCERPT FROM THE DIRECTIVE:**

- High-voltage test: 1250 volt 1. min.
- Protective earth conductor test: 25 amp 2 sec.
- Function test: 220 V / 50 Hz 5 sec.
- alternatively 380 V / 50 Hz 5 sec.
- Leakage current test: <0.75 mA 5 sec.
- as well as
- Pressure-water tightness test on the submerged complete pump

Electrical device: _____	Required spare parts: _____
	_____
	_____
	_____

# OASE GARANTIE

**Garantieleistungen** Soweit in der Garantie nicht speziell etwas anderes angegeben ist, erstreckt sich eine von uns ausgelobte „Allgemeine Garantie“ auf Material- oder Fertigungsfehler, die dem Produkt vor Gefahrübergang angehaftet haben müssen. Wir leisten aus der Garantie Nacherfüllung nach unserer Wahl durch Reparatur, Ersatzteillieferung oder Neulieferung oder Lieferung eines gleichwertigen Produktes. Beanstandungen, deren Ursachen auf Einbau- und Bedienungsfehlern sowie mangelnder Pflege, nicht bestimmungsgemäßen Gebrauch, Frosteinwirkung, Kalkablagerungen oder unsachgemäße Reparaturversuche zurückzuführen sind, fallen nicht unter unseren Garantieschutz. Verschleißteile, wie z.B. Leuchtmittel sind nicht Bestandteil der Garantie. Eine genauere Definition der Verschleißteile enthält die Gebrauchsanweisung, die Bestandteil dieser Garantie ist. Die gesetzlichen Rechte des Käufers insbesondere aus der Gewährleistung bestehen weiter und werden durch diese Garantie nicht eingeschränkt.

**Garantiefrist** Die Garantiezeiten eines OASE Produktes entnehmen Sie bitte der jeweiligen Gebrauchsanweisung. Der Lauf der Garantiefrist beginnt mit dem erstmaligen Neu-Kauf beim OASE-Fachhändler. Bei einem Weiterverkauf beginnt die Garantiefrist daher nicht von neuem zu laufen, auch nicht bei durchgeführten Reparaturen oder sonstigen Maßnahmen in Garantiefällen.

**Reparaturen / Austausch** In unserer Fertigung wird ausschließlich Qualitätsmaterial verarbeitet. Sollte dennoch das Gerät Anlass zu einer berechtigten Beanstandung geben, so entscheiden wir nach unserer Wahl über die Art der Nacherfüllung durch kostenfreie Nachbesserung, z.B. Reparatur oder Ersatz der defekten Teile oder Neulieferung. Entscheiden wir uns für die Reparatur, umfasst der Garantieschutz nur deren Durchführung durch einen von uns genehmigten Reparaturbetrieb.

**Inanspruchnahme aus der Garantie** Ansprüche aus der Garantie können nur mit Vorlage des Kaufbeleges bei uns: OASE GmbH, Tecklenburger Straße 161 in 48477 Hörstel, Deutschland geltend gemacht werden. Bei einer Inanspruchnahme eines beanstandeten Geräts oder Geräteteil senden Sie uns dies bitte frachtfrei, mit einer Kopie des Kaufbelegs, sowie der schriftlichen Abgabe des beanstandeten Fehlers, zu.

# OASE GUARANTEE

**Guarantee performances** If nothing to the contrary is explicitly stated in the guarantee, a “General Guarantee” offered by OASE extends to material defects or manufacturing defects that must have been inherent in the product before transfer of risk. At our discretion we will either repair, ship spare parts, ship a replacement or ship an equivalent product as our guarantee fulfilment. Claims with causes that can be attributed to installation and operating errors, as well as deficient maintenance, non-intended use, effects of freezing, calcium deposits, or improper repair attempts, are not covered by our guarantee protection. Wear parts, such as bulbs, are not part of the guarantee. The use instructions contain a more precise definition of parts subject to wear that is part of this guarantee. The legal rights of the purchaser, particularly arising from the warranty continue in effect and are not limited by this guarantee.

**Guarantee period** The guarantee periods of an OASE product are provided in the respective instructions for use. The guarantee period starts with the first-time purchase of a new product from an OASE dealer. Consequently in the event of resale the guarantee period does not start over again from the beginning, nor does the guarantee period start over for repairs executed or other measures in guarantee cases.

**Repairs / replacement** We only use quality materials in our manufacturing. However if in spite of this the device should give cause for legitimate complaint, then we will decide at our discretion on the type of subsequent performance through no-charge rectification, e.g. repair or replacement of the defective parts, or replacement delivery. Should we decide for repair, then our guarantee protection only includes repair by an authorized repair company.

**Claims arising from the guarantee** Claims arising from the guarantee can only be asserted with submission of the purchase receipt to: OASE GmbH, Tecklenburger Strasse 161 in 48477 Hörstel, Germany. In the event of a guarantee claim, please send us the device or the device part that is the object of the guarantee claim, carriage paid, with a copy of the purchase receipt, as well as the written description of the defect that is the object of the claim.



# ALLGEMEINE GESCHÄFTSBEDINGUNGEN

Liefer- und Leistungsbedingungen der Firma OASE GmbH  
(AGB Stand: 01.08.2012)

## I. Geltung, Vertragsabschluss u. -inhalt

1. Für alle unsere Lieferungen und Leistungen gelten vorrangig und mangels abweichender Vereinbarung unsere nachstehenden AGB, allerdings nur im Verkehr mit Unternehmern, juristischen Personen des öffentlichen Rechts oder des öffentlich rechtlichen Sondervermögens. Entgegenstehenden Bedingungen des Bestellers widersprechen wir. Unsere AGB gelten auch bei zukünftigen Geschäftsbeziehungen ohne erneute ausdrückliche Bezugnahme.  
2. Unsere Angebote sind freibleibend. Die Bestellung des Bestellers ist verbindlich. Ein Vertrag kommt erst mit unserer schriftlichen Auftragsbestätigung zustande, die wir binnen 2 Wochen seit Eingang der Bestellung zu erklären haben. Zusicherungen, Nebenabreden u. Änderungen des Vertrages bedürfen zu ihrer Wirksamkeit gleichfalls stets unserer schriftlichen Bestätigung.  
3. Als Beschaffenheit der Ware gilt grundsätzlich nur unsere Produktbeschreibung als vereinbart. Anpreisungen oder Werbungen stellen daneben keine vertragsgemäße Beschaffenheitsangabe der Ware dar. Die in Prospekten, Katalogen und Werbeanzeigen enthaltenen Angaben begründen keine Eigenschaftszusicherungen. Garantien im Rechtssinne erhält der Besteller durch uns nicht, es sei denn, wir geben ausdrücklich eine Garantieerklärung ab.  
4. Richtige und rechtzeitige Selbstbelieferung bleibt vorbehalten. Wir werden den Besteller unverzüglich über die Nichtverfügbarkeit einer Lieferung informieren und im Falle des Rücktritts die entsprechende Gegenleistung dem Besteller unverzüglich erstatten.

## II. Preise u. Zahlungsbedingungen

1. Unsere Preise verstehen sich in € ab Werk zzgl. etwaiger Montagekosten sowie zusätzlich der jeweils geltenden gesetzlichen Mehrwertsteuer.  
2. Wir sind berechtigt, die Listenpreise nach Abschluss des Kaufvertrages zu erhöhen, wenn sich die Preise für Material und / oder Lohn / Gehalt in der Zeit zwischen Vertragsabschluss und Lieferung erhöhen und zwischen Bestellung und Lieferabruf ein Zeitraum von mehr als 4 Monaten liegt.  
3. Mangels abweichender Vereinbarung sind unsere Rechnungen in vollem Umfang bei Lieferung bzw. Abnahme sofort ohne jeden Abzug netto Kasse zahlbar und fällig. Bei ausdrücklicher Vereinbarung eines Skontoabzuges beginnt die Skontierungsfrist mit dem Rechnungsdatum.  
4. Der Besteller kommt mangels Zahlung ohne weitere Erklärung unsererseits 10 Tage nach dem Fälligkeitstag in Verzug.  
5. Im Falle des Vorhandenseins von Mängeln steht dem Besteller ein Zurückbehaltungsrecht nach § 273 BGB nicht zu, es sei denn, die Lieferung ist offensichtlich mangelhaft bzw. dem Besteller steht offensichtlich ein Recht zur Verweigerung der Abnahme der Arbeiten zu. In diesen Fällen ist der Besteller nur zur Zurückhaltung des Vergütungsanspruches in der Höhe berechtigt, soweit der einbehaltene Betrag im angemessenen Verhältnis zu den Mängeln und den voraussichtlichen einfachen Kosten der Nacherfüllung vorrangig durch Reparatur steht. Unbestrittene oder rechtskräftig festgestellte Forderungen sind von dieser Einschränkung ausgenommen. Sonstige, nicht unter §§ 273, 320 BGB fallende Zurückbehaltungs-/Leistungsverweigerungsrechte sind vorbehaltlich dass sie unstreitig oder rechtskräftig festgestellt sind, ausgeschlossen.  
6. Der Besteller kann nur mit solchen Forderungen aufrechnen, die unbestritten oder rechtskräftig festgestellt sind.

## III. Lieferzeit/Lieferverzögerung

1. Angaben zu Lieferzeiten sind unverbindlich. Die Einhaltung der Lieferfrist setzt die Erfüllung der Vertragspflichten des Bestellers voraus. Lieferfristen beginnen frühestens mit Vertragsschluss, nicht jedoch vor vollständiger Beibringung aller vom Besteller zu beschaffenden Unterlagen, Freigaben, technischer Klärungen, etc. Nachträgliche Änderungen- o. Ergänzungswünsche des Bestellers verlängern die Lieferzeit angemessen. Die Frist ist eingehalten, wenn bis zu ihrem Ablauf der Liefergegenstand unser Werk verlassen hat oder die Versandbereitschaft mitgeteilt ist, wenn die Ware ohne unser Verschulden nicht rechtzeitig abgedesent wird. Bei Eintritt unvorhergesehener Ereignisse und/oder höherer Gewalt verlängert sich eine Lieferfrist gleichfalls angemessen.  
2. Im Falle von uns zu vertretenden Lieferverzügen kann der Besteller uns nach einer schriftlichen Mahnung eine angemessene weitere Frist mit dem Hinweis setzen, dass er die Annahme des Vertragsgegenstandes nach Ablauf der Frist ablehnt. Erst nach fruchtlosem Ablauf der weiteren Frist und aller sonstigen gesetzlichen Voraussetzungen ist der Besteller berechtigt, durch schriftliche Erklärung vom Vertrag zurückzutreten. Schadenersatz wegen Nichterfüllung kann der Besteller im Falle des Rücktritts daneben nicht verlangen.

## IV. Gefahrübergang und Entgegennahme

1. Die Gefahr geht mit der Absendung der Lieferteile auf den Besteller über, und zwar auch dann, wenn Teillieferungen erfolgen oder wenn wir auch andere Leistungen, z. B. die Versendung und ihre Kosten oder die Montage übernommen haben. Teillieferungen und Teilleistungen dürfen wir bewirken, soweit für den Kunden zumutbar.  
2. Verzögert sich der Versand infolge von Umständen, die der Besteller zu vertreten hat, geht die Gefahr vom Tage der Versandbereitschaft ab auf ihn über. Wir sind befugt, die Ware im Annahmeverzugsfalle auf Gefahr und Kosten des Bestellers an diesen zu versenden, alternativ auf seine Kosten und Gefahr einzulagern.  
3. Angelieferte Gegenstände sind, auch wenn sie unwesentliche Mängel aufweisen, vom Besteller unbeschadet der Rechte aus Ziffer VI entgegenzunehmen.

## V. Eigentumsvorbehalt

1. Wir behalten uns das Eigentum an dem Liefergegenstand bis zum Eingang aller Zahlungen aus der Geschäftsverbindung mit dem Besteller vor; der Vorbehalt bezieht sich auf den anerkannten Saldo.  
2. Wird die Kaufsache mit anderen, uns nicht gehörenden Gegenständen verbunden, erwerben wir das Miteigentum an dem neuen Sachen im Verhältnis des Wertes der Kaufsache zu den verbundenen Gegenständen zum Zeitpunkt der Verbindung. Erfolgt die Verbindung in der Weise, dass die Sache des Bestellers als Hauptsache anzusehen ist, gilt als vereinbart, dass der Besteller uns anteilig Miteigentum überträgt. Er verwahrt das so entstandene Allein- oder Miteigentum für uns. Der Besteller tritt uns auch die Forderungen zur Sicherung unserer Forderungen gegen ihn ab, die durch die Verbindung der Kaufsache mit einer Sache und/oder einem Gegenstand gegen einen Dritten in Höhe unseres Verkaufserlöses erwachsen oder durch Weiterveräußerung in dieser Höhe entstehen, wobei diese nur im ordnungsgemäßen Geschäftsverkehr erlaubt ist. Zur anderen Verfügung über die Vorbehaltsware, insbesondere zur Sicherungsübereignung und/oder Verpfändung ist der Besteller nicht befugt.  
3. Wir sind befugt, die Forderung selbst einzuziehen, wenn der Besteller seinen Zahlungsverpflichtungen nicht nachkommt. In diesem Fall hat der Besteller uns die zur Geltendmachung unserer Rechte gegen die Kunden des Bestellers erforderlichen Auskünfte zu erteilen und alle erforderlichen Unterlagen auszuhandigen.  
4. Auf Wunsch des Bestellers geben wir nach unserer Wahl einen entsprechenden Teil der Sicherungsrechte frei, wenn der realisierbare Wert dieser Rechte die Höhe aller uns zustehenden Ansprüche um mehr als 10 % übersteigt.

## VI. Mängelrügen und Haftung für Mängel

1. Jede unserer Lieferungen ist, wenn der Besteller Unternehmer ist, sofort auf Vollständigkeit und Mangelfreiheit zu kontrollieren. Offensichtliche und bei ordnungsgemäßer Untersuchung erkennbare Mängel hat der Besteller unverzüglich nach Ablieferung schriftlich anzuzeigen. Jeden festgestellten Mangel muss der Unternehmer unverzüglich schriftlich anzeigen. Die Mitteilung muss eine genaue Fehlerbeschreibung enthalten.  
Der Besteller ist verpflichtet, bei Abholung oder Anlieferung den Zustand der Ware selbst oder durch Bevollmächtigte Dritte quittieren zu lassen. Eine Minderlieferung begründet ebensowenig einen Mangel, wie eine Falschlieferung, wir sind vielmehr zur Nachlieferung nach Aufforderung berechtigt.  
2. Ist die Ware aus einem Liefergeschäft mangelhaft, leisten wir nach unserer Wahl Gewähr durch Nachbesserung oder Ersatzlieferung. Die Ansprüche des Bestellers wegen eines Mangels der Kaufsache sind zunächst auf Nacherfüllung beschränkt. Schlägt diese nach wenigstens zwei zumutbaren Versuchen endgültig fehl, ist dem Besteller das Recht vorbehalten, zu mindern, oder wenn der Mangel erheblich ist, vom Vertrag zurückzutreten.  
3. Schadenersatzansprüche bestehen nicht bei nur unerheblicher Abweichung einer vereinbarten Beschaffenheit oder bei nur unerheblicher Beeinträchtigung der Brauchbarkeit.  
4. Wählt der Besteller wegen eines Sachmangels einer Lieferung nach gescheiterter Nacherfüllung den Rücktritt vom Vertrag, steht ihm daneben ein Schadenersatzanspruch nicht zu. Wählt der Besteller nach gescheiterter Nacherfüllung Schadenersatz, verbleibt die Ware beim Besteller, wenn ihm dies zumutbar ist. Der Ersatz beschränkt sich auf die Differenz zwischen Kaufpreis und Wert der mangelhaften Sache. Dies gilt nicht, wenn wir die Vertragsverletzung vorsätzlich oder grob fahrlässig verursacht haben.  
5. Zur Vornahme aller uns nach billigem Ermessen notwendig erscheinender Ausbesserungen und Ersatzlieferungen hat der Besteller uns nach Absprache die erforderliche Zeit und Gelegenheit zu geben, andernfalls sind wir von der Mängelhaftung frei. Nur wenn wir mit der Beseitigung des Mangels im Verzuge sind, hat der Besteller nach einer Mahnung und weiteren angemessenen Fristsetzung mit Ablehnungsandrohung das Recht, den Mangel selbst oder durch Dritte beseitigen zu lassen und von uns angemessenen Kostenersatz zu verlangen.  
6. Die Verjährungsfrist für Ansprüche und Rechte wegen Mängeln – gleich aus welchem Rechtsgrund – beträgt 1 Jahr, gleich ob bei Lieferung oder Montage / Werkvertrag. Diese Frist gilt auch für sonstige Schadenersatzansprüche des Bestellers unabhängig von deren Rechtsgrundlage, es sei denn, uns trifft Vorsatz oder eine Garantieverletzung bzw. bei arglistigem Verschweigen von Mängeln bzw. bei Ansprüchen nach dem Produkthaftungsgesetz und bei schuldhafter Verletzung wesentlicher Vertragspflichten.  
7. Eine Mängelrüge hemmt die Verjährung der Gewährleistungsansprüche ausdrücklich nicht, wenn wir nach Überprüfung der Mängelursachen feststellen, dass wir für den Mangel nicht verantwortlich sind und dies mitteilen.  
8. Wir haften nicht für Schäden, die durch ungeeignete oder unsachgemäße Verwendung, für fehlerhafte Behandlung durch den Besteller oder Dritte, natürliche Abnutzung oder nachlässige Behandlung, ungeeignete Reinigung und Pflege, chemische u. o. mechanische Einflüsse etc. entstehen, sofern diese nicht auf unser Verschulden zurückzuführen sind.  
9. Sollte in Folge einer Mängelrüge des Bestellers OASE bei der Überprüfung des reklamierten Produktes feststellen, dass der Mangel nicht von OASE zu vertreten, sondern die Folge eines Bedienungsfehlers oder unsachgemäßer Handhabung ist, ist OASE berechtigt, dem Besteller eine Servicepauschale von 19,90 € zzgl. Mehrwertsteuer zzgl. Versandkosten für den entstandenen Arbeitsaufwand pro Produkt zu berechnen. Eine gleichhohe Servicepauschale berechnet OASE für jedwede Aufwendungen aus Anlass von Pflichtverletzungen des Bestellers oder bei unerlaubten Handlungen, soweit Mehraufwand entsteht.  
10. Bei leicht fahrlässigen Pflichtverletzungen ist die Haftung ausgeschlossen. Im Falle grober Pflichtverletzung ist unsere Haftung auf den vertragstypischen, vorhersehbaren Schaden begrenzt, gleichermaßen bei Verletzung wesentlicher Vertragspflichten. Im Übrigen haften wir nach dem Produkthaftungsgesetz, wegen der Verletzung des Lebens, des Körpers oder der Gesundheit oder wegen der schuldhaften Verletzung wesentlicher Vertragspflichten. Rückgriffsrechte nach § 478 BGB bleiben in der Maßgabe unberührt, dass uns für den Ausgleich im Rückgriffsfall das Recht eingeräumt ist, nach unserer Wahl nachzuerfüllen und zwar durch Reparatur oder Neulieferung.

## VII. Warenrückgabebedingungen

Unabhängig von den unter Ziffer VI geregelten Ansprüchen bei Vorliegen von Mängeln, nimmt OASE mangelfrei gelieferte Waren nur im Einzelfall und nach vorheriger, schriftlicher Genehmigung vor der Rücksendung zurück, wobei Rücknahmen von Produkten mit einem Bestellwert von unter 100,00 € aus wirtschaftlichen Gründen grundsätzlich ausgeschlossen sind. Voraussetzung für den Abschluss einer Rücksendvereinbarung ist in jedem Fall, dass die zurückzugebenden Produkte in einwandfreiem Zustand inkl. deren Verpackung sind und dem aktuellen Katalogprogramm entsprechen.  
Sollte eine Rücksendvereinbarung zustande kommen, ist der Besteller verpflichtet, eine Kopie der Rechnung, eine Kopie des Lieferscheins und den Retourschein der Rücksendung beizufügen. Der Besteller trägt das Transportrisiko der Rücksendung. Rücksendungen dürfen nicht unfrei sein, andernfalls ist OASE berechtigt, die Annahme zu verweigern.  
Für den gesamten anfallenden Bearbeitungs- und Verwaltungsaufwand, sowie das Risiko der Weiterveräußerung der retournierten Produkte, bringt OASE 30% vom fakturierten Warennettowert in Abzug.

## VIII. Haftung für Nebenpflichten

1. Unsere anwendungstechnische Beratung in Wort und Schrift, sowie Vorschläge, Berechnungen, Zeichnungen, Projektierungen sollen dem Besteller lediglich die bestmögliche Verwendung unserer Produkte erläutern, sie sind nur annähernd ermittelt und unverbindlich. Sie befreien ihn nicht von seiner Verpflichtung, sich durch eigene Prüfung von der Eignung unserer Produkte für den von ihm beabsichtigten Zweck zu überzeugen.  
2. Kann durch schuldhaftes Verletzung der uns obliegenden Nebenpflichten auch vor Vertragsabschluss, z. B. durch unterlassene oder fehlerhafte Beratung oder falsche Anleitung der Vertragsgegenstand nicht vertragsgemäß verwendet werden, so gelten für unsere Haftung unter Ausschluss weiterer Ansprüche des Bestellers die Regelung unter Ziffer VI. Nr. 5 - 8 entsprechend.

## IX. Muster, Zeichnungen

An Mustern, Zeichnungen und anderen Unterlagen behalten wir uns das Eigentum und Urheberrecht vor. Sie dürfen unbefugten Dritten nicht zugänglich gemacht und müssen uns auf unser Verlangen hin zurückgegeben werden.

## X. Erfüllungsort, anwendbares Recht, Gerichtsstand

1. Erfüllungsort für alle Lieferungen und Zahlungen ist der Sitz unserer Firma in Hörstel.  
2. Es gilt ausschließlich Deutsches Recht. Die Anwendbarkeit des einheitlichen UN-Kaufrechtes (CISG) wird ausgeschlossen.  
3. Der Gerichtsstand ist am Sitz von OASE.

## XI. Salvatorische Klausel

Sollte eine der vorbenannten Bestimmungen unwirksam sein oder werden, berührt das die Wirksamkeit der Bestimmungen im Übrigen ausdrücklich nicht.

# TERMS AND CONDITIONS

## General Terms and Conditions of OASE GmbH (T&C version: 01.08.2012)

### I. Applicability, conclusion of contract & content

Our general terms and conditions as set forth below, shall apply with priority for our goods and services, in the absence of an agreement to the contrary, however only for transactions with entrepreneurs, legal entities under public law and special assets under public law. Purchaser's conditions contradicting such terms and conditions shall not apply. Our general terms and conditions also apply for future business relationships, without express subsequent reference.

2. Our quotations are subject to alteration. Purchaser's purchase orders shall be binding. A contract shall only come into effect with our written order confirmation, which we shall be obligated to declare within two weeks after receipt of the purchase order. Assurances, oral agreements, and changes to the contract shall require our written confirmation to become effective.

3. Our product description as agreed shall apply as the exclusive condition of goods. Recommendations or advertising shall not additionally constitute any contractual qualities of the goods. The information contained in brochures, catalogues, and advertisements does not constitute any assurance of attributes. The purchaser obtains no legal guarantees from OASE GmbH, unless we expressly issue a declaration of guarantee.

4. Full and timely order execution shall be subject to availability of supplies. We shall inform purchaser without delay if a product is not available, and will refund the appropriate amount to purchaser without delay in the event of cancellation.

### II. Prices and terms of payment

1. Our prices are ex works in €, plus possible installation costs, as well as applicable VAT.

2. We shall be authorised to increase list prices after conclusion of the purchase contract, if the prices for material and/or wages/salaries increase in the period between conclusion of the contract and delivery, or if there is a period of more than four months between purchase order and delivery schedule.

3. In the absence of an agreement to the contrary our invoices shall be due and payable in full, net cash, without discount of any kind at delivery or acceptance. If OASE grants a cash discount in the payment terms, these terms are valid from the date of the invoice. If a cash discount deduction is expressly agreed, the discount period shall begin with the invoice date.

4. Without further declaration on our part purchaser shall be deemed to be in arrears if payment has not been received 10 days after the due date.

5. If defects are present purchaser shall not be entitled to withhold payment in accordance with Article 273 of the German Civil Code, unless the delivery is clearly defective, or unless purchaser clearly has a right to refuse acceptance of the work. In these cases purchaser shall only be authorised to withhold payment in the amount of the claim for remuneration if the amount withheld is in an appropriate relationship to the defects and to the presumable costs of supplemental performance, primarily through repair. Undisputed or legally established claims are excluded from this restriction. Other rights to withhold or rights to refuse performance that do not fall under Articles 273, 320 of the German civil code are excluded unless they are undisputed or are legally established.

6. The purchaser shall only offset with such receivables that are undisputed or that are legally enforceable.

### III. Delivery time/delayed delivery

1. Information relative to delivery times is nonbinding. The prerequisite for compliance with the delivery period shall be fulfilment of purchaser's contractual obligations. Delivery periods shall start when the contract is concluded at the earliest, however delivery periods shall not start unless there is complete provision of documents, releases, technical clarifications, etc. that purchaser is obligated to provide. Retroactive requests for modification or supplementation extend the delivery period accordingly. The period is deemed to be complied with if the delivery item has left our plant by the date on which the delivery period expires, or if we have communicated our readiness to ship, should the goods not be sent at the proper through no fault of OASE GmbH. Likewise a delivery period shall be appropriately extended if unforeseen events or force majeure occurs.

2. If there is a delay in delivery for which we are responsible, then after a written reminder, purchaser can specify an additional appropriate period, with the statement that purchaser shall refuse acceptance of the object of the contract upon expiration of said period. Purchaser shall be authorised to withdraw from the contract by providing written declaration only after fruitless expiration of the subsequent period, and all other legal requirements. If purchaser withdraws from the contract, then purchaser shall have no right to demand damages for non-fulfilment.

### IV. Transfer of risk and acceptance

1. Risk is transferred to purchaser when the delivery items are sent, even in the case of partial shipments, or if we have taken responsibility for other performances, such as the shipment and its costs, or installation. We shall be authorised to make partial shipments and partial performances that the customer can be reasonably expected to accept.

2. If shipment is delayed due to circumstances for which purchaser is responsible, then the risk shall be transferred to purchaser from the day OASE GmbH is ready to ship. We shall be authorised to send the goods to purchaser if purchaser delays acceptance; or alternatively to store the goods at purchaser's costs and risk.

3. Delivered objects shall be accepted by purchaser, even if they exhibit insignificant defects, without prejudice to the rights set forth in Roman numeral VI.

### V. Retention of title

1. We shall retain title to the delivery item until all payments arising from the business relationship with purchaser have been received; retention of title is based on the recognised balance.

2. If the object of sale is combined with other objects that do not belong to us, then we shall acquire joint ownership to the new object in the ratio of the object of sale's value to the value of the associated objects at the time they were combined. If said objects are combined in such a manner that purchaser's object of purchase is deemed to be the main object, then it is agreed that purchaser shall transfer proportional joint ownership to OASE GmbH. Purchaser shall preserve the sole or joint ownership that thus arises for us. Purchaser shall also transfer to OASE GmbH the receivables from a third party, to which purchaser is entitled due to the combination of the object of sale with an item and/or an object, in the amount of our sales proceeds, or that occurs through resale in this amount; however this shall only be permitted in the proper course of business. Purchaser shall not be authorised to otherwise dispose of the reserved goods, particularly for transfer of title for security, and/or pledge.

3. We shall be authorised to collect said receivable ourselves if purchaser does not honour his payment obligations. In this case purchaser shall be obligated to provide to us the information necessary to legally assert our rights against purchaser's customer, and to provide us with all required documents.

4. On purchaser's request at our discretion we shall release an appropriate portion of the security interest, if the realisable value of such interest shall exceed the amount of all claims to which we are entitled by more than 10%.

### VI. Notification of defect and liability for defects

1. If purchaser is an entrepreneur, each of our deliveries shall be checked immediately for completeness and freedom from defects. After delivery purchaser shall report apparent defects, and defects that are apparent after proper examination, in writing, without delay. The entrepreneur must report each defect detected in writing without delay. The written report must contain a precise description of the defect.

When picking up the goods, or when the goods are delivered purchaser shall be obligated to acknowledge the condition of the goods himself, or to have the condition of the goods acknowledged by an authorised third party. A short delivery shall not constitute a defect, nor shall an incorrect delivery constitute a defect; in these cases we are authorised to make an additional delivery, if requested.

2. If the goods are defective due to a delivery transaction, then we shall be authorised to either replace or repair at our discretion. In the first instance purchaser's claims due to a defect in the object of sale are limited to supplementary performance. If after two reasonable attempts supplementary performance proves to be conclusively unsuccessful, then purchaser shall have the right to withhold payment, to reduce payment, or if the defect is significant, to withdraw from the contract.

3. Claims for damage compensation do not exist in the case of insignificant deviation from an agreed quality, or for insignificant impairment of usability.

4. If purchaser elects to withdraw from the contract after failed supplemental performance due to material defect of a delivery, then purchaser shall not be entitled to additional claims for damages. If after failed supplemental performance, purchaser elects to claim damages, then the goods shall remain with the purchaser if this is acceptable to purchaser. Replacement shall be limited to the difference between purchase price and the value of the defective item. This shall not apply if OASE GmbH willfully or through gross negligence caused the violation of the contractual obligation.

5. Purchaser shall be obligated to provide OASE GmbH with the required time and opportunity to undertake all repairs and replacements deemed necessary after coordination; otherwise OASE GmbH shall be released from liability for the defect. Only if we are in arrears in correcting the defect shall purchaser have the right, after a reminder and specifying an additional appropriate period, to correct the defect himself, or have said defect corrected by a third party, and to demand reimbursement of appropriate costs from us.

6. The limitation period for claims and rights due to defects - regardless of legal grounds - shall be 1 year, whether for delivery or installation / contract for work and labour. This period shall also apply for other claims for damages on the part of purchaser, regardless of legal basis, except in the case of intent, guarantee violation, or malicious concealment of defects, or in the case of claims in accordance with the German Product Liability Act, and for culpable violation of essential contract obligations on the part of OASE GmbH.

7. Notification of defect shall not expressly restrict the period of limitation for guarantee claims if after verifying the causes of the defect, we determine that we are not responsible for the defect, and communicate this information.

8. We shall not be held liable for damage that is due to unsuitable or improper use, for incorrect handling on the part of purchaser or a third party, or damage that occurs through natural wear or negligent treatment, unsuitable cleaning and care, chemical and/or mechanical influence, for which we are not at fault.

9. If consequent to a notification of defect on the part of the ordering party OASE should determine when checking the goods that are the object of the notification of defect that the defect is not the responsibility of OASE, but rather that the defect is due to an operating error or improper handling, then OASE shall be authorised to bill the ordering party a flat rate service charge of 19.90 € plus VAT, plus shipping costs per product for the work load incurred. OASE shall bill a flat-rate service charge in the equivalent amount for any expenses incurred due to violations of purchaser's contract obligations or due to impermissible actions, if additional costs are incurred.

10. Liability shall be excluded in the case of negligent violation of contractual obligations. In the case of gross negligence our liability shall be limited to the damage that is contractually anticipated, this provision applies in equal measure for violation of essential contractual obligations. In all other regards we shall be liable in accordance with the German Product Liability Act for injury to life, body or health, or due to culpable violation of essential contractual obligations. Right of recourse in accordance with Article 478 of the German Civil Code shall remain unaffected with the stipulation that OASE shall have the right to settle recourse cases through supplementary performance either through repair or replacement delivery, at our discretion.

### VII. Conditions governing the return of goods

Regardless of the claims regulated in number VI, if defects are present OASE shall take back defect-free delivered goods only on a case-by-case basis, and after prior written approval has been issued before the return shipment; take-back of products with an order value of under 100.00 € shall always be excluded for economic reasons.

The prerequisite for concluding a send back agreement in every case shall be that the goods that will be returned are in perfect faultless condition, including the packaging of said goods, and that said goods correspond to the current product line as shown in the catalogue.

If a send back agreement should be concluded, then the ordering party shall be obligated to include a copy of the invoice, a copy of the delivery ticket, and the return authorisation, with the return shipment. The ordering party shall bear the transport risk for the return shipment. Return shipments should not be sent freight collect, otherwise OASE shall be authorised to refuse acceptance of the return shipment.

For the entire handling and administration expenses, as well as the risk of reselling the returned products OASE will deduct 30% from the invoiced net value of the goods.

### VIII. Liability for secondary obligations

1. Our technical application advice as well as recommendations, calculations, drawings, and project planning merely illustrate the best possible use of our products, they are provided as approximations only, and are non-binding. They do not release purchaser from his obligation to verify for himself that our products are suitable for purchasers intended purpose.

2. If the contractual object cannot be used as stipulated in the contract due to culpable violation of secondary obligations to which we are obligated, even prior to conclusion of contract; for example due to omitted or incorrect consulting, or incorrect instructions, then under exclusion of additional claims on the part of purchaser, the provision set forth under Roman numeral VI no. 5 - 8 shall apply accordingly for our liability.

### IX. Samples, drawings

We shall reserve the title and copyright to samples, drawings, and other documents. They shall not be made available to unauthorized third parties and must be returned to us on request.

### X. Place of fulfilment, applicable law, legal venue

1. Place of performance for all deliveries and payments shall be the company's headquarters in Hörstel.

2. German law shall apply exclusively. The uniform law on the international sale of goods (CISG) shall not apply.

3. The place of jurisdiction shall be the location of OASE's registered office.

### XI. Severability clause

Invalidation of any one of the provisions in this contract shall not affect the validity of the other provisions.

# ALPHABETISCHE PRODUKTÜBERSICHT /

## ALPHABETICAL PRODUCT OVERVIEW

Art.-Nr./ Item no.	Produkt / Product	Seite/ Page	Art.-Nr./ Item no.	Produkt / Product	Seite/ Page
50183	AirFlo 1,5 kW / 230 V	184	50398	AquaOxy 4800	181
50184	AirFlo 1,5 kW / 400 V	184	57063	AquaOxy 500	179
50185	AirFlo 4,0 kW / 400 V	184	50464	AquaOxy CWS 400	180
50571	AquaActiv Wasseranalyse Profi-Set	207	57399	Aquarius 1000 Start	24
50571	AquaActiv Water analysis Profi-Set	207	57400	Aquarius 1500 Start	24
57479	AquaAir 250	183	57401	Aquarius 2500 Start	24
56574	AquaMax 12000	48	57402	Aquarius 3500 Start	24
56656	AquaMax 16000	48	56332	Aquarius Fountain Set 12000	26
57380	AquaMax 2000	35	56315	Aquarius Fountain Set 4000	26
57381	AquaMax 3500	39	56319	Aquarius Fountain Set 6000	26
50068	AquaMax Dry 14000	61	56323	Aquarius Fountain Set 8000	26
50448	AquaMax Dry 16000	61	57399	Aquarius Fountain Set Classic 1000	24
50393	AquaMax Dry 6000	61	57400	Aquarius Fountain Set Classic 1500	24
50066	AquaMax Dry 8000	61	57401	Aquarius Fountain Set Classic 2500	24
57358	AquaMax Eco 12000	46	57402	Aquarius Fountain Set Classic 3500	24
57361	AquaMax Eco 16000	46	43041	Aquarius Fountain Set Classic 750	24
50071	AquaMax Eco 3500	38	41923	Aquarius Fountain Set Eco 5500	25
50072	AquaMax Eco 5500	38	41925	Aquarius Fountain Set Eco 7500	25
57363	AquaMax Eco 6000 12 V	52	41927	Aquarius Fountain Set Eco 9500	25
50073	AquaMax Eco 8500	38	56889	Aquarius Solar 1500	30
51102	AquaMax Eco Classic 11500	36	56888	Aquarius Solar 700	30
51104	AquaMax Eco Classic 14500	36	56611	Aquarius Universal 3000	19
56653	AquaMax Eco Classic 17500	36	36950	Aquarius Universal Classic 1000	18
51086	AquaMax Eco Classic 2500	34	36951	Aquarius Universal Classic 1500	18
51092	AquaMax Eco Classic 3500	36	36953	Aquarius Universal Classic 2000	18
51096	AquaMax Eco Classic 5500	36	36726	Aquarius Universal Classic 440	17
51099	AquaMax Eco Classic 8500	36	36673	Aquarius Universal Classic 440i	17
40247	AquaMax Eco Control	57	36975	Aquarius Universal Classic 600	18
50302	AquaMax Eco CWS 4000	47	56870	Aquarius Universal Expert 21000	22
50303	AquaMax Eco CWS 6000	47	56871	Aquarius Universal Expert 27000	22
50304	AquaMax Eco CWS 8000	47	56872	Aquarius Universal Expert 40000	22
39916	AquaMax Eco Expert 21000	56	56879	Aquarius Universal Premium 12000	19
39917	AquaMax Eco Expert 26000	56	56614	Aquarius Universal Premium 4000	19
57091	AquaMax Eco Gravity 10000	60	56617	Aquarius Universal Premium 5000	19
57092	AquaMax Eco Gravity 15000	60	56637	Aquarius Universal Premium 6000	19
57093	AquaMax Eco Gravity 20000	60	56876	Aquarius Universal Premium 9000	19
51078	AquaMax Eco Premium 10000	40	57390	Aquarius Universal Premium Eco 3000	21
50742	AquaMax Eco Premium 12000	42	57392	Aquarius Universal Premium Eco 4000	21
50382	AquaMax Eco Premium 12000 / 12 V	50	51236	AquaSkim 20	190
50745	AquaMax Eco Premium 16000	42	56907	AquaSkim 40	190
56406	AquaMax Eco Premium 20000	44	51237	AquaSkim Gravity	191
50734	AquaMax Eco Premium 4000	40	50455	BioPress Set 10000	68
50736	AquaMax Eco Premium 6000	40	57386	BioPress Set 12000	71
50730	AquaMax Eco Premium 6000 / 12 V	49	50499	BioPress Set 4000	68
50740	AquaMax Eco Premium 8000	40	50453	BioPress Set 6000	68
57352	AquaMax Eco R 4000	46	57385	BioPress Set 8000	71
57354	AquaMax Eco R 6000	46	56776	BioSmart 18000	82
57356	AquaMax Eco R 8000	46	56641	BioSmart 30000	84
39918	AquaMax Eco Titanium 50000	59	56641	BioSmart 36000	84
50708	AquaMax Eco Twin 20000	53	50451	BioSmart Set 14000	80
50710	AquaMax Eco Twin 30000	53	56777	BioSmart Set 18000	82
56873	AquaMax Expert 20000	58	50531	BioSmart Set 20000	84
56874	AquaMax Expert 30000	58	56781	BioSmart Set 24000	84
56875	AquaMax Expert 40000	58	50587	BioSmart Set 30000	84
37125	AquaOxy 1000	180	56789	BioSmart Set 36000	84
57350	AquaOxy 2000	180	50525	BioSmart Set 5000	78
50532	AquaOxy 240	178	50449	BioSmart Set 7000	78
56387	AquaOxy 400	180	57377	BioSmart UVC 16000	80

# ALPHABETISCHE PRODUKTÜBERSICHT /

## ALPHABETICAL PRODUCT OVERVIEW

Art.-Nr./ Item no.	Produkt / Product	Seite/ Page	Art.-Nr./ Item no.	Produkt / Product	Seite/ Page
57375	BioSmart UVC 8000	78	51231	IceFree Thermo 330	186
57137	BioSys Skimmer +	192	55433	InScenio 230	225
56641	BioTec 10.1	84	54978	InScenio FM-Master 1	225
56580	BioTec 12	92	36310	InScenio FM-Master 2	225
55421	BioTec 30	91	36311	InScenio FM-Master 3	225
56640	BioTec 5.1	82	40243	InScenio FM-Master WLAN	224
56755	BioTec Premium 80000	108	40244	InScenio FM-Master WLAN	224
57127	BioTec ScreenMatic 12	102	56886	InScenio FM-Profimaster	225
57128	BioTec ScreenMatic 18	102	50053	JumpingJet Rainbow Star Add-on Set	14
51259	BioTec ScreenMatic 36	104	50053	JumpingJet Rainbow Star Erweiterungsset	14
57129	BioTec ScreenMatic 36	106	50052	JumpingJet Rainbow Star Set	14
57696	BioTec ScreenMatic <sup>2</sup> 140000	98	50114	LunaLed 6s	209
57694	BioTec ScreenMatic <sup>2</sup> 40000	94	50115	LunaLed 9s	209
57695	BioTec ScreenMatic <sup>2</sup> 60000	94	50407	LunaLed Creative Set	16
56902	Bitron C 110 W	171	54034	LunAqua 10	222
56804	Bitron C 24 W	171	50366	LunAqua 10 LED /01	215
56620	Bitron C 24 W	173	54993	LunAqua 2 / 12 V	219
56799	Bitron C 36 W	171	52038	LunAqua 2 Set 1	219
56368	Bitron C 36 W	173	57034	LunAqua 3 LED Set 1	212
56823	Bitron C 55 W	171	57035	LunAqua 3 LED Set 3	212
56624	Bitron C 55 W	173	56903	LunAqua 3 Set 1	220
56901	Bitron C 72 W	171	56904	LunAqua 3 Set 2	220
56769	Bitron Eco 120 W	175	56905	LunAqua 3 Set 3	220
56405	Bitron Eco 180 W	175	57141	LunAqua 3 Solo	220
56410	Bitron Eco 240 W	175	54314	LunAqua 35 Set	222
50946	Bitron Gravity 55 W	177	50527	LunAqua Classic LED Set 1	211
40291	EasyPick	204	50530	LunAqua Classic LED Set 3	211
50798	Edelstahl-Bachlaufschale 90° Ecke	229	50507	LunAqua Maxi LED Set 1	214
50781	Edelstahl-Bachlaufschale Gerade	229	50508	LunAqua Maxi LED Set 3	214
50809	Edelstahl-Bachlaufschale Leuchtelement	229	50509	LunAqua Maxi LED Solo	214
50800	Edelstahl-Bachlaufschale Start / End	229	40290	LunAqua Micro Eco Set	217
50801	Edelstahl-Bachlaufschale Verbindung	229	50593	LunAqua Micro Set	218
15329	Ersatzpumpe FP 1500	62	50512	LunAqua Mini LED	213
13745	Ersatzpumpe FP 2500	62	50513	LunAqua Mini LED warm	213
13742	Ersatzpumpe FP 3500	62	42633	LunAqua Power LED Set 1	216
57239	Ersatzteilkoffer	63	42634	LunAqua Power LED Set 3	216
55999	FiltoClear 11000	72	42635	LunAqua Power LED W	216
51244	FiltoClear 12000	74	56894	LunAqua Solar	227
56824	FiltoClear 15000	72	51043	LunAqua Terra LED Set 3	208
51247	FiltoClear 16000	74	50729	LunAqua Terra LED Set 6	208
50576	FiltoClear 20000	74	50371	MAXI II 4,0 kW / 400 V	33
55997	FiltoClear 3000	72	50365	MIDI II 1,1 kW / 230 V	33
50577	FiltoClear 30000	74	56307	Nautilus 110	28
55998	FiltoClear 6000	72	56311	Nautilus 150	28
50230	FiltoMatic CWS 12000	86	56315	Nautilus 200	26
50910	FiltoMatic CWS 14000	86	56319	Nautilus 250	26
50925	FiltoMatic CWS 25000	86	56323	Nautilus 350	26
50228	FiltoMatic CWS 3000	86	56332	Nautilus 450	26
50229	FiltoMatic CWS 6000	86	56299	Nautilus 50	28
50906	FiltoMatic CWS 7000	86	56303	Nautilus 80	28
50446	Filtral UVC 2500	64	56889	Nautilus Solar 140	30
51232	Filtral UVC 3000	66	56888	Nautilus Solar 70	30
57379	Filtral UVC 5000	65	36950	Neptun 1000 – 10 m	18
51233	Filtral UVC 6000	67	56879	Neptun 12000 – 10 m	19
51235	Filtral UVC 9000	67	36951	Neptun 1500 – 10 m	18
51243	FlexiCut 2 in 1	205	36953	Neptun 2000 – 10 m	18
56534	IceFree 20	185	56611	Neptun 3000 – 10 m	19
51230	IceFree Thermo 200	186	56614	Neptun 4000 – 10 m	19

# ALPHABETISCHE PRODUKTÜBERSICHT /

## ALPHABETICAL PRODUCT OVERVIEW

Art.-Nr./ Item no.	Produkt / Product	Seite/ Page	Art.-Nr./ Item no.	Produkt / Product	Seite/ Page
36673	Neptun 440 – 1,5 m	17	42913	ProfiClear pump chamber Compact / Classic	165
36726	Neptun 440 – 10 m	17	42913	ProfiClear Pumpenkammer Compact / Classic	165
56617	Neptun 5000 – 10 m	19	57094	ProfiClear Screendrive	187
36975	Neptun 600 – 10 m	18	56898	ProfiLux 100 E	221
56637	Neptun 6000 – 10 m	19	56873	Profimax 20000	58
56876	Neptun 9000 – 10 m	19	56874	Profimax 30000	58
57390	Neptun Eco 3000	21	56875	Profimax 40000	58
57392	Neptun Eco 4000	21	56870	Profinaut 21	22
57091	Optimax 10000	60	56871	Profinaut 27	22
57092	Optimax 15000	60	56872	Profinaut 40	22
57093	Optimax 20000	60	57134	ProfiSkim 100	194
50290	OxyTex 1000	182	51185	ProfiSkim Premium	193
50443	OxyTex 400	182	55441	Promax 20000	55
57075	PondJet	32	55442	Promax 30000	55
53777	PondJet	32	57480	Skimmer 250	195
57704	PondJet Eco	31	56895	SolarSafe 17	226
37102	PondoVac 3	197	56896	SolarSafe 41	226
50388	PondoVac 4	198	57239	Spare parts case	63
41982	PondoVac 5	199	15329	Spare pump FP 1500	62
50529	PondoVac Classic	196	13745	Spare pump FP 2500	62
40256	PondoVac Premium	202	13742	Spare pump FP 3500	62
50079	Profi Fischkescher	206	50798	Stainless steel watercourse 90° curve	229
50079	Profi Fish net	206	50801	Stainless steel watercourse connection	229
50078	Profi Pond net	206	50809	Stainless steel watercourse illumination	229
50078	Profi Teichkescher	206	50800	Stainless steel watercourse start /end	229
37108	ProfiClear Classic coarse debris extrac.	124	50781	Stainless steel watercourse straight	229
51064	ProfiClear Classic coarse debris extrac.	116	57384	SwimSkim 25	188
37107	ProfiClear Classic filter foam module	126	50170	SwimSkim 50	189
51065	ProfiClear Classic filter foam module	118	57288	UWS K 300	223
51065	ProfiClear Classic Filterschaummodul	118	57370	Vitronic 11 W	168
37107	ProfiClear Classic Filterschaummodul	126	56837	Vitronic 18 W	169
51064	ProfiClear Classic Grobschmutzabscheider	116	57371	Vitronic 18 W	169
37108	ProfiClear Classic Grobschmutzabscheider	124	56869	Vitronic 24 W	169
51066	ProfiClear Classic Phosphatbinder Modul	120	56885	Vitronic 36 W	169
37109	ProfiClear Classic Phosphatbinder Modul	130	57372	Vitronic 36 W	169
37109	ProfiClear Classic phosphate binder mod.	130	57373	Vitronic 55 W	169
51066	ProfiClear Classic phosphate binder mod.	120	50191	Water Jet Lightning	12
51061	ProfiClear Classic pump chamber	114	50187	Water Quintet	9
56897	ProfiClear Classic pump chamber	122	50394	Water Quintet Creative	11
51061	ProfiClear Classic Pumpenkammer	114	50214	Water Starlet	6
56897	ProfiClear Classic Pumpenkammer	122	50240	Water Trio	7
50951	ProfiClear Guard	151	50704	Waterfall 30	228
37144	ProfiClear M 4 Bioballs filter module	128	50585	Waterfall 60	228
37144	ProfiClear M 4 Bioballs Filtermodul	128	50706	Waterfall 90	228
42906	ProfiClear Premium Compact gepumpt	152	51205	Waterfall Illumination 30	210
42910	ProfiClear Premium Compact Gravitation	159	51209	Waterfall Illumination 60	210
42910	ProfiClear Premium Compact gravity	159	50584	Waterfall Set 30	228
42906	ProfiClear Premium Compact pump-fed	152	51163	Waterfall Set 60 Solo	228
50775	ProfiClear Premium drum filter gravity	138			
56774	ProfiClear Premium drum filter gravity	138			
50773	ProfiClear Premium drum filter pump-fed	132			
50771	ProfiClear Premium Individual Module	147			
50771	ProfiClear Premium Individualmodul	147			
50772	ProfiClear Premium Moving Bed Modul	144			
50772	ProfiClear Premium Moving Bed Module	144			
50773	ProfiClear Premium Trommelfilter gepumpt	132			
50775	ProfiClear Premium Trommelfilter Gravi.	138			
56774	ProfiClear Premium Trommelfilter Gravi.	138			

# PRODUKTÜBERSICHT NACH ARTIKELNR. / PRODUCT OVERVIEW BY ITEM NO.

Art.-Nr./ Item no.	Produkt / Product	Seite/ Page	Art.-Nr./ Item no.	Produkt / Product	Seite/ Page
13742	Ersatzpumpe FP 3500	62	50170	SwimSkim 50	189
13745	Ersatzpumpe FP 2500	62	50183	AirFlo 1,5 kW / 230 V	184
15329	Ersatzpumpe FP 1500	62	50184	AirFlo 1,5 kW / 400 V	184
36310	InScenio FM-Master 2	225	50185	AirFlo 4,0 kW / 400 V	184
36311	InScenio FM-Master 3	225	50187	Water Quintet	9
36673	Aquarius Universal Classic 440i	17	50191	Water Jet Lightning	12
36726	Aquarius Universal Classic 440	17	50214	Water Starlet	6
36950	Aquarius Universal Classic 1000	18	50228	FiltoMatic CWS 3000	86
36951	Aquarius Universal Classic 1500	18	50229	FiltoMatic CWS 6000	86
36953	Aquarius Universal Classic 2000	18	50230	FiltoMatic CWS 12000	86
36975	Aquarius Universal Classic 600	18	50240	Water Trio	7
37102	PondoVac 3	197	50290	OxyTex 1000	182
37107	ProfiClear Classic Filterschaummodul	126	50302	AquaMax Eco CWS 4000	47
37108	ProfiClear Classic Grobschmutzabscheider	124	50303	AquaMax Eco CWS 6000	47
37109	ProfiClear Classic Phosphatbinder Modul	130	50304	AquaMax Eco CWS 8000	47
37125	AquaOxy 1000	180	50365	MIDI II 1,1 kW / 230 V	33
37144	ProfiClear M 4 Bioballs Filtermodul	128	50366	LunAqua 10 LED /01	215
39916	AquaMax Eco Expert 21000	56	50371	MAXI II 4,0 kW / 400 V	33
39917	AquaMax Eco Expert 26000	56	50382	AquaMax Eco Premium 12000 / 12 V	50
39918	AquaMax Eco Titanium 50000	59	50388	PondoVac 4	198
40243	InScenio FM-Master WLAN	224	50393	AquaMax Dry 6000	61
40244	InScenio FM-Master WLAN	224	50394	Water Quintet Creative	11
40247	AquaMax Eco Control	57	50398	AquaOxy 4800	181
40256	PondoVac Premium	202	50407	LunaLed Creative Set	16
40290	LunAqua Micro Eco Set	217	50443	OxyTex 400	182
40291	EasyPick	204	50446	Filtral UVC 2500	64
41923	Aquarius Fountain Set Eco 5500	25	50448	AquaMax Dry 16000	61
41925	Aquarius Fountain Set Eco 7500	25	50449	BioSmart Set 7000	78
41927	Aquarius Fountain Set Eco 9500	25	50451	BioSmart Set 14000	80
41982	PondoVac 5	199	50453	BioPress Set 6000	68
42633	LunAqua Power LED Set 1	216	50455	BioPress Set 10000	68
42634	LunAqua Power LED Set 3	216	50464	AquaOxy CWS 400	180
42635	LunAqua Power LED W	216	50499	BioPress Set 4000	68
42906	ProfiClear Premium Compact gepumpt	152	50507	LunAqua Maxi LED Set 1	214
42910	ProfiClear Premium Compact Gravitation	159	50508	LunAqua Maxi LED Set 3	214
42913	ProfiClear Pumpenkammer Compact / Classic	165	50509	LunAqua Maxi LED Solo	214
43041	Aquarius Fountain Set Classic 750	24	50512	LunAqua Mini LED	213
50052	JumpingJet Rainbow Star Set	14	50513	LunAqua Mini LED warm	213
50053	JumpingJet Rainbow Star Erweiterungsset	14	50525	BioSmart Set 5000	78
50066	AquaMax Dry 8000	61	50527	LunAqua Classic LED Set 1	211
50068	AquaMax Dry 14000	61	50529	PondoVac Classic	196
50071	AquaMax Eco 3500	38	50530	LunAqua Classic LED Set 3	211
50072	AquaMax Eco 5500	38	50531	BioSmart Set 20000	84
50073	AquaMax Eco 8500	38	50532	AquaOxy 240	178
50078	Profi Teichkescher	206	50571	AquaActiv Wasseranalyse Profi-Set	207
50079	Profi Fischkescher	206	50576	FiltoClear 20000	74
50114	LunaLed 6s	209	50577	FiltoClear 30000	74
50115	LunaLed 9s	209	50584	Waterfall Set 30	228

# PRODUKTÜBERSICHT NACH ARTIKELNR. / PRODUCT OVERVIEW BY ITEM NO.

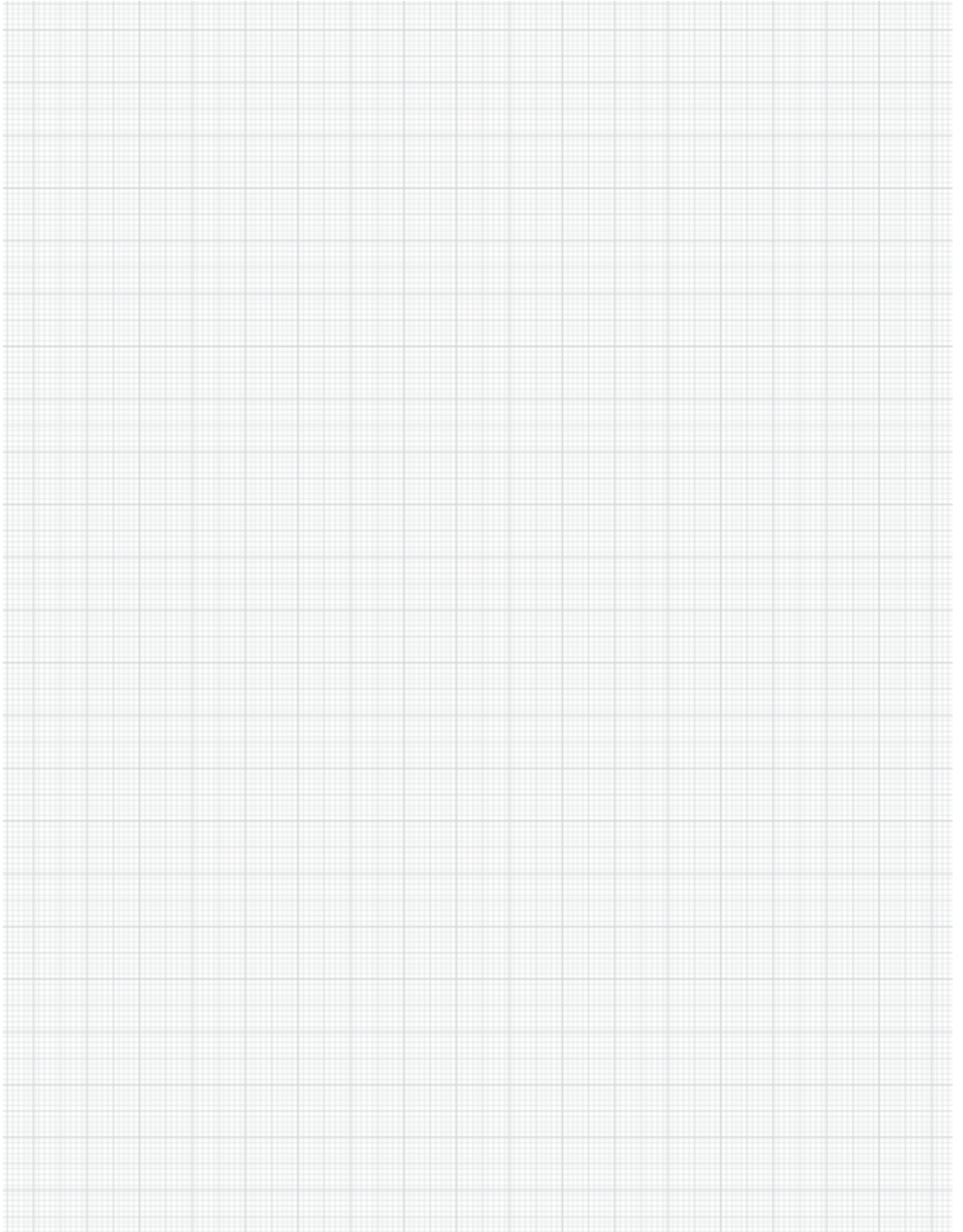
Art.-Nr./ Item no.	Produkt / Product	Seite/ Page	Art.-Nr./ Item no.	Produkt / Product	Seite/ Page
50585	Waterfall 60	228	51235	Filtral UVC 9000	67
50587	BioSmart Set 30000	84	51236	AquaSkim 20	190
50593	LunAqua Micro Set	218	51237	AquaSkim Gravity	191
50704	Waterfall 30	228	51243	FlexiCut 2 in 1	205
50706	Waterfall 90	228	51244	FiltoClear 12000	74
50708	AquaMax Eco Twin 20000	53	51247	FiltoClear 16000	74
50710	AquaMax Eco Twin 30000	53	51259	BioTec ScreenMatic 36	104
50729	LunAqua Terra LED Set 6	208	52038	LunAqua 2 Set 1	219
50730	AquaMax Eco Premium 6000 / 12 V	49	53777	PondJet	32
50734	AquaMax Eco Premium 4000	40	54034	LunAqua 10	222
50736	AquaMax Eco Premium 6000	40	54314	LunAqua 35 Set	222
50740	AquaMax Eco Premium 8000	40	54978	InScenio FM-Master 1	225
50742	AquaMax Eco Premium 12000	42	54993	LunAqua 2 / 12 V	219
50745	AquaMax Eco Premium 16000	42	55421	BioTec 30	91
50771	ProfiClear Premium Individualmodul	147	55433	InScenio 230	225
50772	ProfiClear Premium Moving Bed Modul	144	55441	Promax 20000	55
50773	ProfiClear Premium Trommelfilter gepumpt	132	55442	Promax 30000	55
50775	ProfiClear Premium Trommelfilter Gravi.	138	55997	FiltoClear 3000	72
50781	Edelstahl-Bachlaufschale Gerade	229	55998	FiltoClear 6000	72
50798	Edelstahl-Bachlaufschale 90° Ecke	229	55999	FiltoClear 11000	72
50800	Edelstahl-Bachlaufschale Start / End	229	56299	Nautilus 50	28
50801	Edelstahl-Bachlaufschale Verbindung	229	56303	Nautilus 80	28
50809	Edelstahl-Bachlaufschale Leuchtelement	229	56307	Nautilus 110	28
50906	FiltoMatic CWS 7000	86	56311	Nautilus 150	28
50910	FiltoMatic CWS 14000	86	56315	Aquarius Fountain Set 4000	26
50925	FiltoMatic CWS 25000	86	56319	Aquarius Fountain Set 6000	26
50946	Bitron Gravity 55 W	177	56323	Aquarius Fountain Set 8000	26
50951	ProfiClear Guard	151	56332	Aquarius Fountain Set 12000	26
51043	LunAqua Terra LED Set 3	208	56368	Bitron C 36 W	173
51061	ProfiClear Classic Pumpenkammer	114	56387	AquaOxy 400	180
51064	ProfiClear Classic Grobschmutzabscheider	116	56405	Bitron Eco 180 W	175
51065	ProfiClear Classic Filterschaummodul	118	56406	AquaMax Eco Premium 20000	44
51066	ProfiClear Classic Phosphatbinder Modul	120	56410	Bitron Eco 240 W	175
51078	AquaMax Eco Premium 10000	40	56534	IceFree 20	185
51086	AquaMax Eco Classic 2500	34	56574	AquaMax 12000	48
51092	AquaMax Eco Classic 3500	36	56580	BioTec 12	92
51096	AquaMax Eco Classic 5500	36	56611	Aquarius Universal 3000	19
51099	AquaMax Eco Classic 8500	36	56614	Aquarius Universal Premium 4000	19
51102	AquaMax Eco Classic 11500	36	56617	Aquarius Universal Premium 5000	19
51104	AquaMax Eco Classic 14500	36	56620	Bitron C 24 W	173
51163	Waterfall Set 60 Solo	228	56624	Bitron C 55 W	173
51185	ProfiSkim Premium	193	56637	Aquarius Universal Premium 6000	19
51205	Waterfall Illumination 30	210	56640	BioTec 5.1	82
51209	Waterfall Illumination 60	210	56641	BioSmart 36000	84
51230	IceFree Thermo 200	186	56653	AquaMax Eco Classic 17500	36
51231	IceFree Thermo 330	186	56656	AquaMax 16000	48
51232	Filtral UVC 3000	66	56755	BioTec Premium 80000	108
51233	Filtral UVC 6000	67	56769	Bitron Eco 120 W	175

# PRODUKTÜBERSICHT NACH ARTIKELNR. / PRODUCT OVERVIEW BY ITEM NO.

Art.-Nr./ Item no.	Produkt / Product	Seite/ Page	Art.-Nr./ Item no.	Produkt / Product	Seite/ Page
56774	ProfiClear Premium Trommelfilter Gravi.	138	57239	Ersatzteilkoffer	63
56776	BioSmart 18000	82	57288	UWS K 300	223
56777	BioSmart Set 18000	82	57350	AquaOxy 2000	180
56781	BioSmart Set 24000	84	57352	AquaMax Eco R 4000	46
56789	BioSmart Set 36000	84	57354	AquaMax Eco R 6000	46
56799	Bitron C 36 W	171	57356	AquaMax Eco R 8000	46
56804	Bitron C 24 W	171	57358	AquaMax Eco 12000	46
56823	Bitron C 55 W	171	57361	AquaMax Eco 16000	46
56824	FiltoClear 15000	72	57363	AquaMax Eco 6000 12 V	52
56837	Vitronic 18 W	169	57370	Vitronic 11 W	168
56869	Vitronic 24 W	169	57371	Vitronic 18 W	169
56870	Aquarius Universal Expert 21000	22	57372	Vitronic 36 W	169
56871	Aquarius Universal Expert 27000	22	57373	Vitronic 55 W	169
56872	Aquarius Universal Expert 40000	22	57375	BioSmart UVC 8000	78
56873	AquaMax Expert 20000	58	57377	BioSmart UVC 16000	80
56874	AquaMax Expert 30000	58	57379	Filtral UVC 5000	65
56875	AquaMax Expert 40000	58	57380	AquaMax 2000	35
56876	Aquarius Universal Premium 9000	19	57381	AquaMax 3500	39
56879	Aquarius Universal Premium 12000	19	57384	SwimSkim 25	188
56885	Vitronic 36 W	169	57385	BioPress Set 8000	71
56886	InScenio FM-Profimaster	225	57386	BioPress Set 12000	71
56888	Aquarius Solar 700	30	57390	Aquarius Universal Premium Eco 3000	21
56889	Aquarius Solar 1500	30	57392	Aquarius Universal Premium Eco 4000	21
56894	LunAqua Solar	227	57399	Aquarius Fountain Set Classic 1000	24
56895	SolarSafe 17	226	57400	Aquarius Fountain Set Classic 1500	24
56896	SolarSafe 41	226	57401	Aquarius Fountain Set Classic 2500	24
56897	ProfiClear Classic Pumpenkammer	122	57402	Aquarius Fountain Set Classic 3500	24
56898	ProfiLux 100 E	221	57479	AquaAir 250	183
56901	Bitron C 72 W	171	57480	Skimmer 250	195
56902	Bitron C 110 W	171	57694	BioTec ScreenMatic <sup>2</sup> 40000	94
56903	LunAqua 3 Set 1	220	57695	BioTec ScreenMatic <sup>2</sup> 60000	94
56904	LunAqua 3 Set 2	220	57696	BioTec ScreenMatic <sup>2</sup> 140000	98
56905	LunAqua 3 Set 3	220	57704	PondJet Eco	31
56907	AquaSkim 40	190			
57034	LunAqua 3 LED Set 1	212			
57035	LunAqua 3 LED Set 3	212			
57063	AquaOxy 500	179			
57075	PondJet	32			
57091	AquaMax Eco Gravity 10000	60			
57092	AquaMax Eco Gravity 15000	60			
57093	AquaMax Eco Gravity 20000	60			
57094	ProfiClear Screendrive	187			
57127	BioTec ScreenMatic 12	102			
57128	BioTec ScreenMatic 18	102			
57129	BioTec ScreenMatic 36	106			
57134	ProfiSkim 100	194			
57137	BioSys Skimmer +	192			
57141	LunAqua 3 Solo	220			



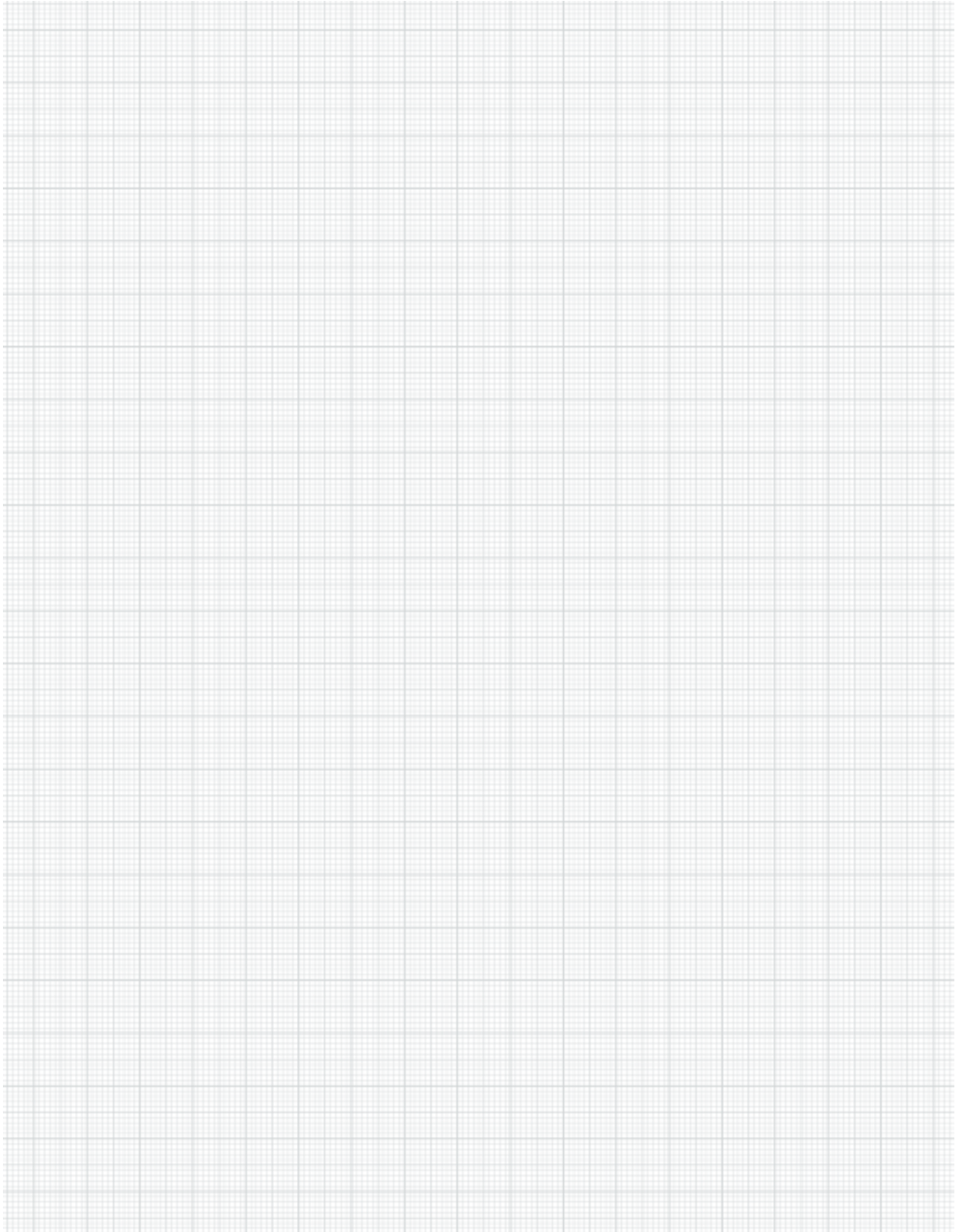
# NOTIZEN



# NOTES

WISSENSWERTES / WORTH KNOWING

NOTIZEN / NOTES





**OASE GmbH**

Tecklenburger Str. 161  
48469 Hörstel  
Germany  
☎ +49 5454 80-0  
☎ +49 5454 80-9253  
✉ info@oase-livingwater.com

**OASE S.A.**

Avenue de la Marne  
Parc du Molinel  
Bât F – Rez de Chaussée  
59290 WASQUEHAL  
France  
☎ +33 3 20 82 00 45  
☎ +33 3 20 82 99 32  
✉ info.fr@oase-livingwater.com

**OASE Türkiye**

Barbaros Mh.Ihlamur (Hasat sk) No:3  
Uphill Towers B Blok D:55  
34746 Atasehir / Istanbul  
☎ +90 216 688 14 60  
☎ +90 216 688 14 57  
✉ info.tr@oase-livingwater.com

**OASE North America, Inc.**

721 N Poplar St  
Orange  
CA 92868  
USA  
☎ +1 800 365 3880  
☎ +1 800 262 7339  
✉ info.na@oase-livingwater.com

**OASE (UK) LTD.**

The Old Cart Shed  
Apsley Barns  
Andover  
Hampshire SP11 6NA  
United Kingdom  
☎ +44 1256 8968 86  
☎ +44 1256 8964 89  
✉ enquiries@oase-livingwater.com

**OASE ESPAÑA Casa y Jardín S.L.U.**

C/Polea 1  
28522 Rivas Vaciamadrid  
Madrid  
Spain  
☎ +34 91 499 07 29  
☎ +34 91 666 56 87  
✉ info.es@oase-livingwater.com

**OASE Asia Pacific PTE Ltd.**

7030 Ang Mo Kio Ave 5  
#08-69  
Northstar@Ang Mo Kio  
Singapore 569880  
☎ +65 6337 2838  
☎ +65 6337 6878  
✉ info@oase-livingwater.com.sg

**OASE Italia Srl  
(former Eden Srl)**

Via delle Industrie, 16  
36050 Cartigliano (VI)  
Italy  
☎ +39 042 45 90 866  
☎ +39 042 48 27 342  
✉ info@edensrl.com

**OASE B.V.**

Dooren 107  
1785 Merchtem  
België/Belgique  
☎ +31 900 246 22 10  
☎ +31 800 023 01 86  
✉ info.nl@oase-livingwater.com (NL)

**OASE Kereskedelmi Kft**

Buda Center  
Budapest I  
Hegyalja út 7-13  
1016 Budapest  
Hungary  
☎ +36 1 393 50 40  
☎ +36 1 393 50 41  
✉ info.hu@oase-livingwater.com

**OASE Middle East FZE**

Dubai Airport Freezone  
East Wing Building 1E Unit 202  
P.O. Box 54966  
Dubai, U.A.E  
☎ +971 4 2994847  
✉ uae@oase-livingwater.com

**OASE B.V.B.A.**

Dooren 107  
1785 Merchtem  
België/Belgique  
☎ +32 52 48 47 60  
☎ +32 52 48 47 61  
✉ info.be@oase-livingwater.com (B)

**OASE Spółka z o.o.**

Al. Jerozolimskie 200 lok. 538  
02-486 Warsaw  
Poland  
☎ +48 223 23 71 13  
☎ +48 223 23 71 15  
✉ info.pl@oase-livingwater.com

**OASE China**

No. 80 North Dongting Road  
Taicang, Jiangsu  
China  
☎ +86 512 5371 9709  
☎ +86 512 5371 9555  
✉ weibo@oase-livingwater.cn

www.oase-livingwater.com